



US00D935653S

(12) **United States Design Patent** (10) **Patent No.:** **US D935,653 S**
Qiu (45) **Date of Patent:** **** Nov. 9, 2021**

(54) **FLASHLIGHT**

(71) Applicant: **NINGBO FUTAI ELECTRIC LIMITED**, Zhejiang (CN)

(72) Inventor: **Fujun Qiu**, Ningbo (CN)

(73) Assignee: **NINGBO FUTAI ELECTRIC LIMITED**, Zhejiang (CN)

(**) Term: **15 Years**

(21) Appl. No.: **29/665,112**

(22) Filed: **Sep. 30, 2018**

(30) **Foreign Application Priority Data**

Mar. 29, 2018 (CN) 201830120958.3

(51) **LOC (13) Cl.** **26-02**

(52) **U.S. Cl.**
USPC **D26/37**

(58) **Field of Classification Search**
USPC D26/24, 26, 28, 37-52, 56, 60-61, 113,
D26/118-119, 138, 140-142
(Continued)

(56) **References Cited**

U.S. PATENT DOCUMENTS

D332,320 S * 1/1993 Gammache D26/44
D378,434 S * 3/1997 Petterson D26/44
(Continued)

FOREIGN PATENT DOCUMENTS

JP D2014-7735 * 5/2015

OTHER PUBLICATIONS

Dorcy 41-4349. By Dorcy. Dated Jul. 11, 2018. Found online [May 10, 2021]. <https://www.dorcy.com/ultra-hd-series-cob-swivel-flashlight-area-light> (Year: 2018).*

(Continued)

Primary Examiner — Marissa J Cash
Assistant Examiner — William B Melliar

(74) *Attorney, Agent, or Firm* — Raymond Y. Chan;
David and Raymond Patent Firm

(57) **CLAIM**

The ornamental design for a flashlight, as shown and described.

DESCRIPTION

FIG. 1 is a front view of the flashlight of my new design according to a first embodiment;
FIG. 2 is a rear view thereof according to the first embodiment;
FIG. 3 is a left view thereof according to the first embodiment;
FIG. 4 is a right view thereof according to the first embodiment;
FIG. 5 is a top view thereof according to the first embodiment;
FIG. 6 is a bottom view thereof according to the first embodiment;
FIG. 7 is a front perspective view thereof according to the first embodiment;
FIG. 8 is a rear perspective view thereof according to the first embodiment;
FIG. 9 is a bottom perspective view thereof according to the first embodiment;
FIG. 10 is a front perspective view thereof according to the first embodiment, illustrating a head portion being rotated with respect to a handle portion;
FIG. 11 is a bottom perspective view thereof according to the first embodiment, illustrating the head portion being rotated with respect to the handle portion;
FIG. 12 is a front perspective view thereof according to the first embodiment, illustrating a right angle between the head portion and the handle portion after the head portion is rotated;

(Continued)

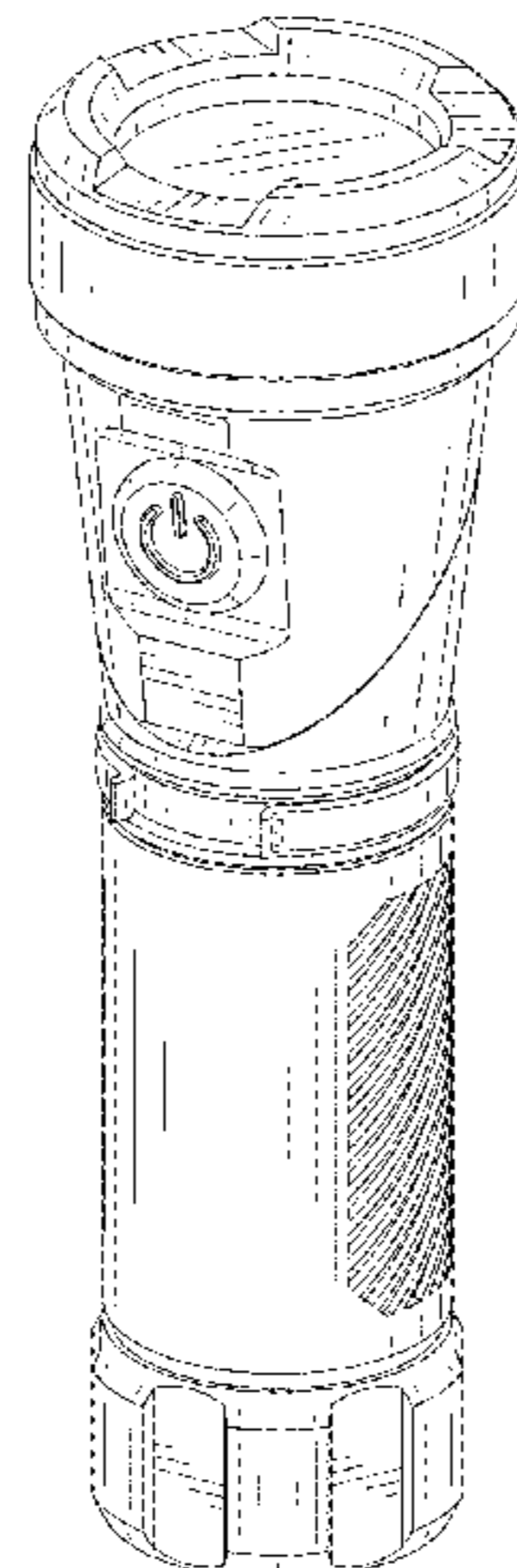


FIG. 13 is a bottom perspective view thereof according to the first embodiment, illustrating the right angle between the head portion and the handle portion after the head portion is rotated;

FIG. 14 is a front view of the flashlight of my new design according to a second embodiment, wherein the second embodiment is an alternative mode of the first embodiment to illustrate a modification of a neck of the handle portion of the flashlight;

FIG. 15 is a rear view thereof according to the second embodiment, illustrating a modification of the flashlight without a clip in the second embodiment;

FIG. 16 is a left view thereof according to the second embodiment;

FIG. 17 is a right view thereof according to the second embodiment;

FIG. 18 is a top view thereof according to the second embodiment;

FIG. 19 is a bottom view thereof according to the second embodiment;

FIG. 20 is a front perspective view thereof according to the second embodiment;

FIG. 21 is a rear perspective view thereof according to the second embodiment;

FIG. 22 is a bottom perspective view thereof according to the second embodiment;

FIG. 23 is a front perspective view thereof according to the second embodiment, illustrating a head portion being rotated with respect to a handle portion;

FIG. 24 is a bottom perspective view thereof according to the second embodiment, illustrating the head portion being rotated with respect to the handle portion;

FIG. 25 is a front perspective view thereof according to the second embodiment, illustrating a right angle between the head portion and the handle portion after the head portion is rotated;

FIG. 26 is a bottom perspective view thereof according to the second embodiment, illustrating the right angle between the head portion and the handle portion after the head portion is rotated;

FIG. 27 is a front view of the flashlight of my new design according to a third embodiment, wherein the third embodiment is an alternative mode of the first embodiment to illustrate a modification of button-less of the flashlight in the third embodiment;

FIG. 28 is a rear view thereof according to the third embodiment;

FIG. 29 is a left view thereof according to the third embodiment;

FIG. 30 is a right view thereof according to the third embodiment;

FIG. 31 is a top view thereof according to the third embodiment;

FIG. 32 is a bottom view thereof according to the third embodiment;

FIG. 33 is a front perspective view thereof according to the third embodiment;

FIG. 34 is a rear perspective view thereof according to the third embodiment;

FIG. 35 is a bottom perspective view thereof according to the third embodiment;

FIG. 36 is a front perspective view thereof according to the third embodiment, illustrating a head portion being rotated with respect to a handle portion;

FIG. 37 is a bottom perspective view thereof according to the third embodiment, illustrating the head portion being rotated with respect to the handle portion;

FIG. 38 is a front perspective view thereof according to the third embodiment, illustrating a right angle between the head portion and the handle portion after the head portion is rotated; and,

FIG. 39 is a bottom perspective view thereof according to the third embodiment, illustrating the right angle between the head portion and the handle portion after the head portion is rotated.

1 Claim, 39 Drawing Sheets

(58) **Field of Classification Search**

CPC . F21L 4/005; F21L 4/027; F21L 4/085; F21L 4/08; F21L 4/00; F21L 4/045; F21L 4/02; F21L 4/022; F21L 4/025; F21L 4/04; F21L 13/00; F21L 14/02; F21L 2/00
See application file for complete search history.

(56) **References Cited**

U.S. PATENT DOCUMENTS

D513,334	S	*	12/2005	Galey	D26/37
D529,643	S	*	10/2006	Kung	D26/37
D554,281	S	*	10/2007	Bushee	D26/37
D590,970	S	*	4/2009	Kornfeld	D26/37
D750,305	S	*	2/2016	Sheikh	D26/38
D874,043	S	*	1/2020	Lee	D26/37
D884,224	S	*	5/2020	Zheng	D26/28
D884,942	S	*	5/2020	Sharrah	D26/37
D897,578	S	*	9/2020	Le	D26/37
D899,648	S	*	10/2020	Qiu	D26/49
D904,655	S	*	12/2020	Pontano	D26/37
D914,257	S	*	3/2021	Windom	D26/37
D914,258	S	*	3/2021	Qiu	D26/49
2010/0182777	A1	*	7/2010	Van Deursen	F21L 4/04 362/184
2019/0242531	A1	*	8/2019	Qiu	F21K 9/20

OTHER PUBLICATIONS

Craftsman 250 Lumen LED Miniature Spotlight Flashlight. By Craftsman. Dated Aug. 29, 2018. Found online [May 10, 2021]. <https://www.lowes.com/pd/CRAFTSMAN-250-Lumen-LED-Miniature-Spotlight-Flashlight-Battery-Included/1000514521> (Year: 2018).*

* cited by examiner

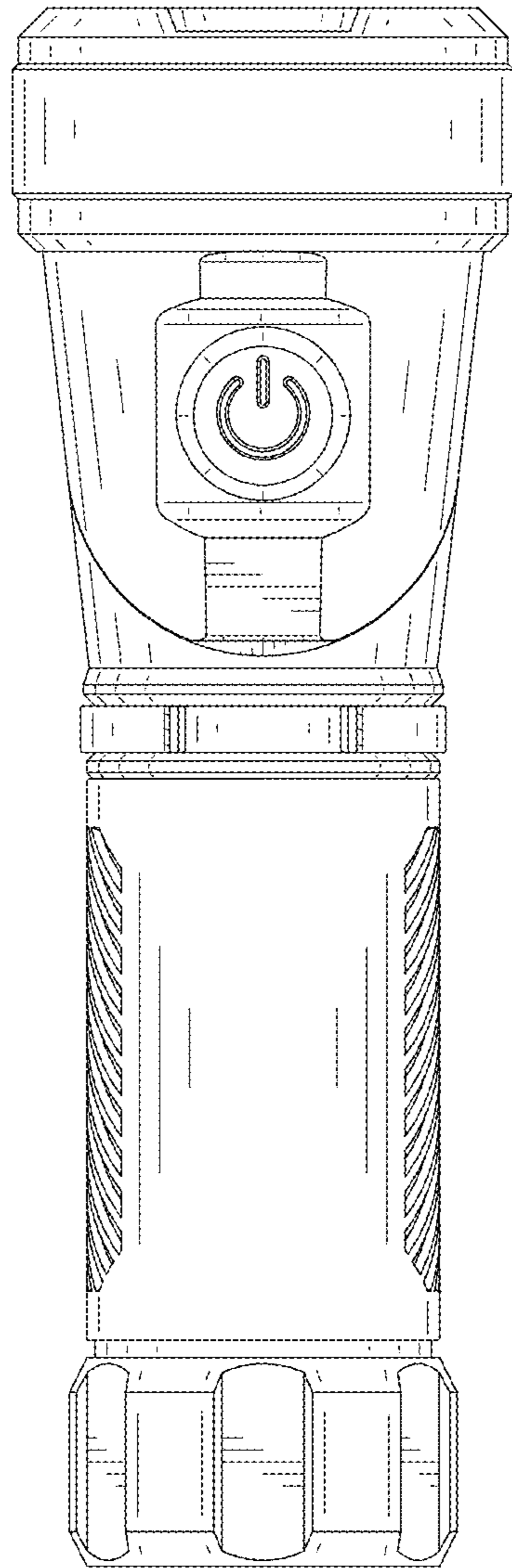


FIG.1

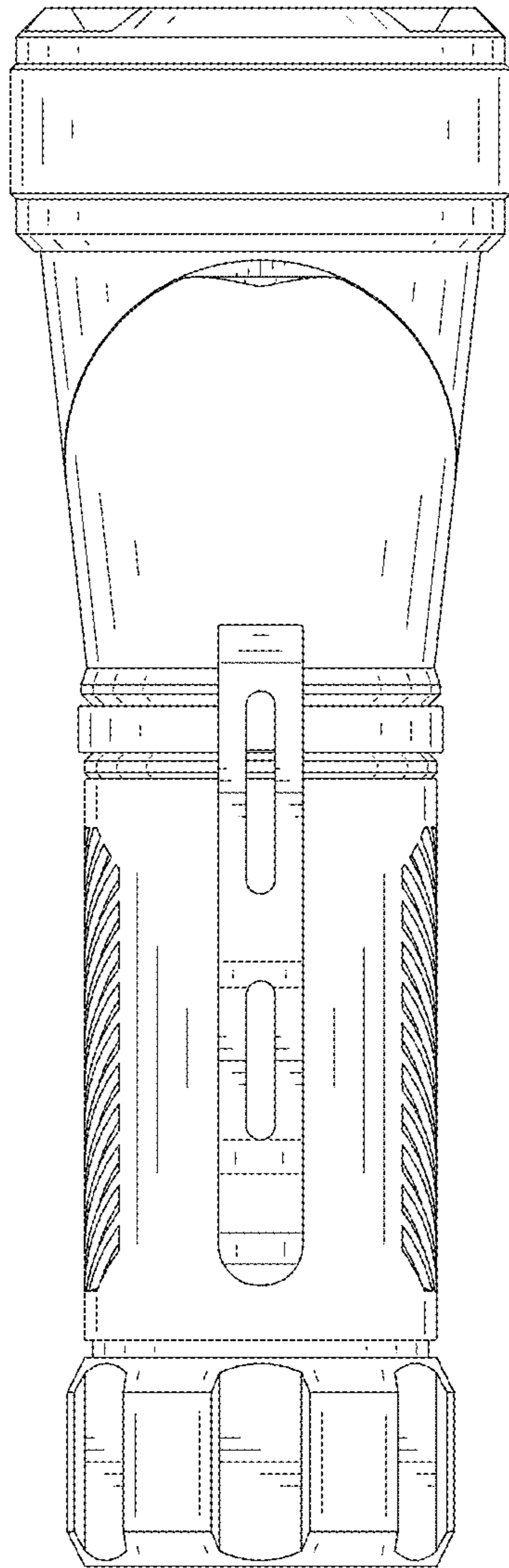


FIG.2

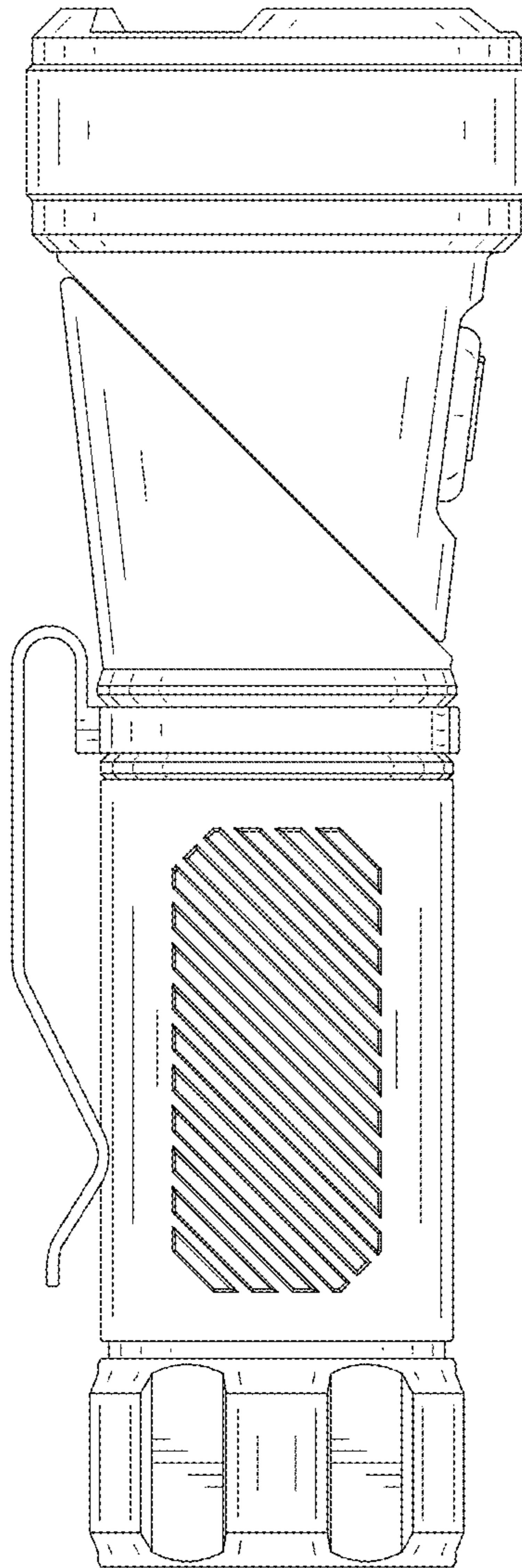


FIG.3

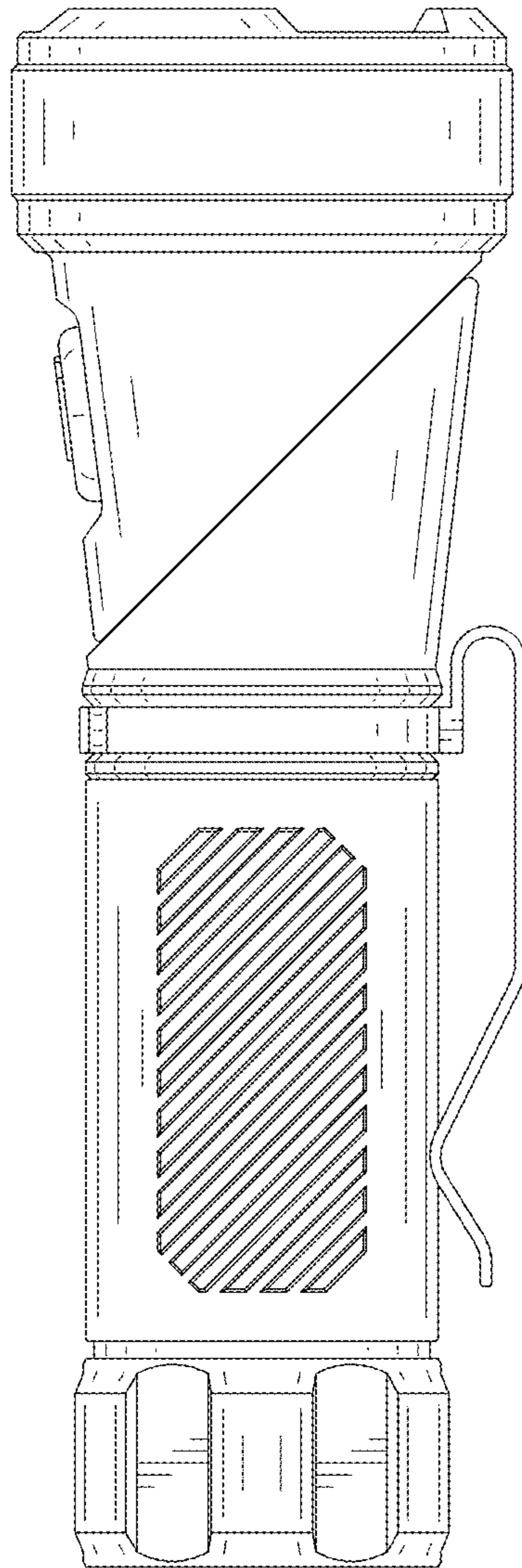


FIG.4

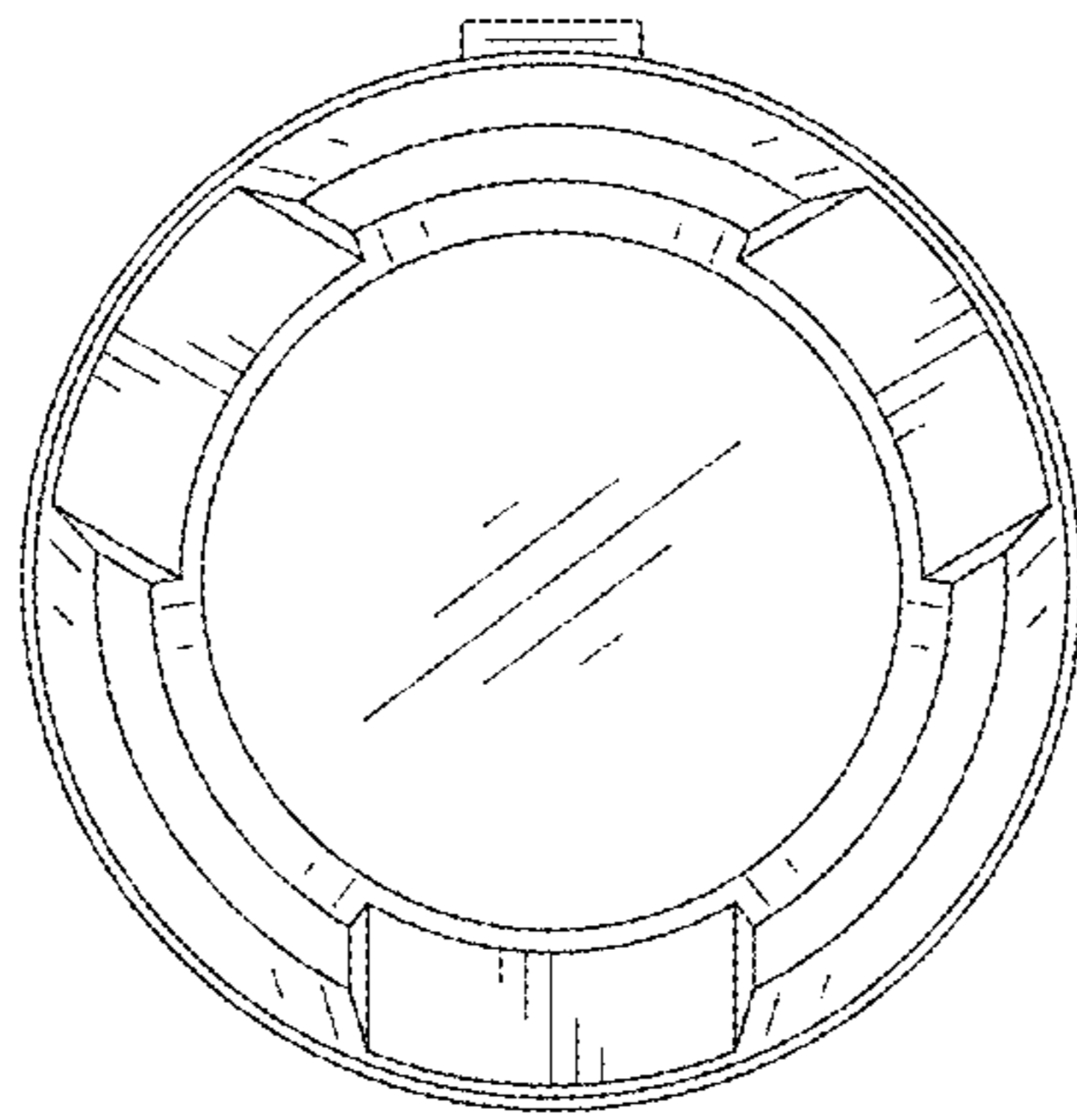


FIG.5

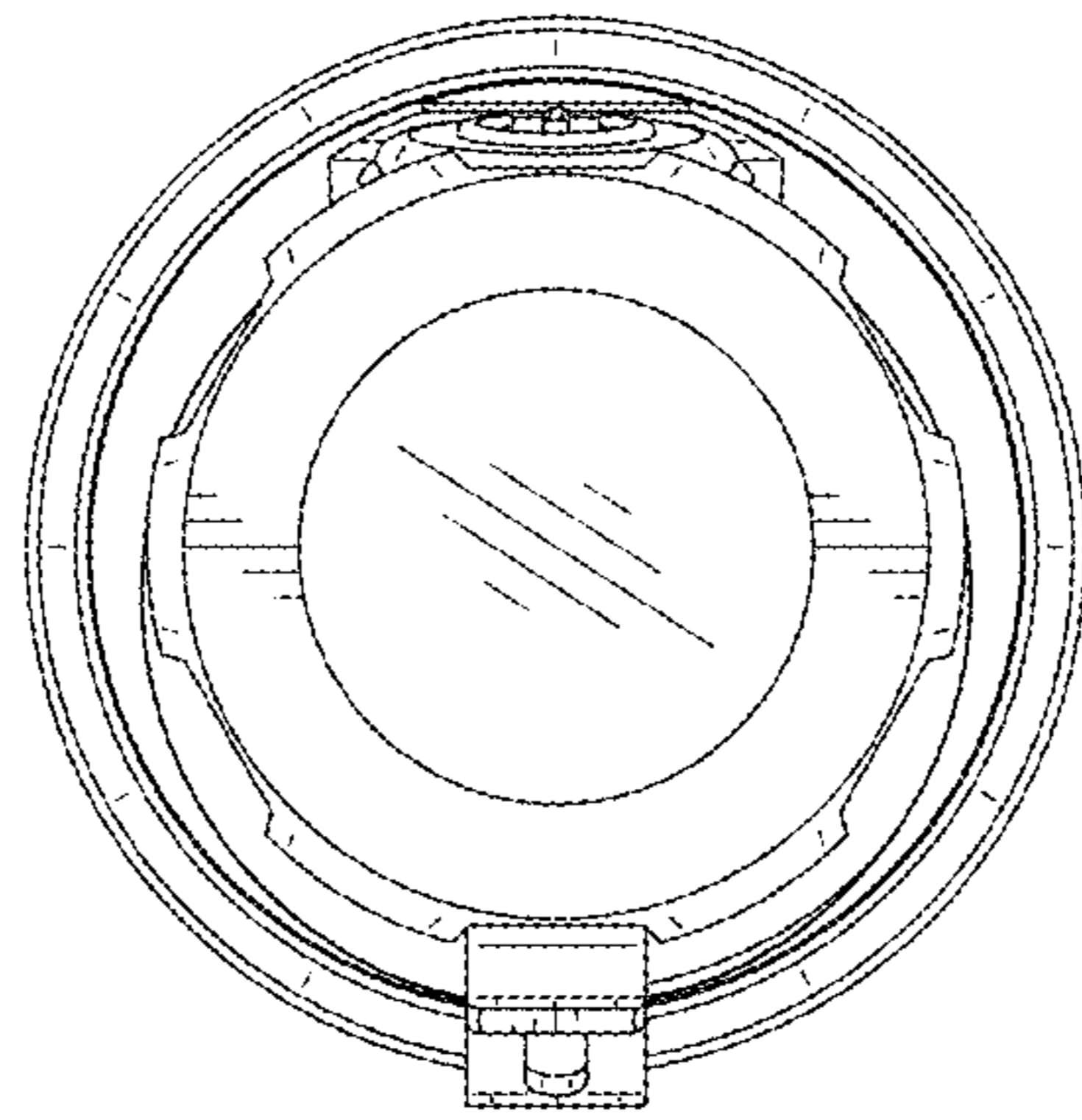


FIG.6

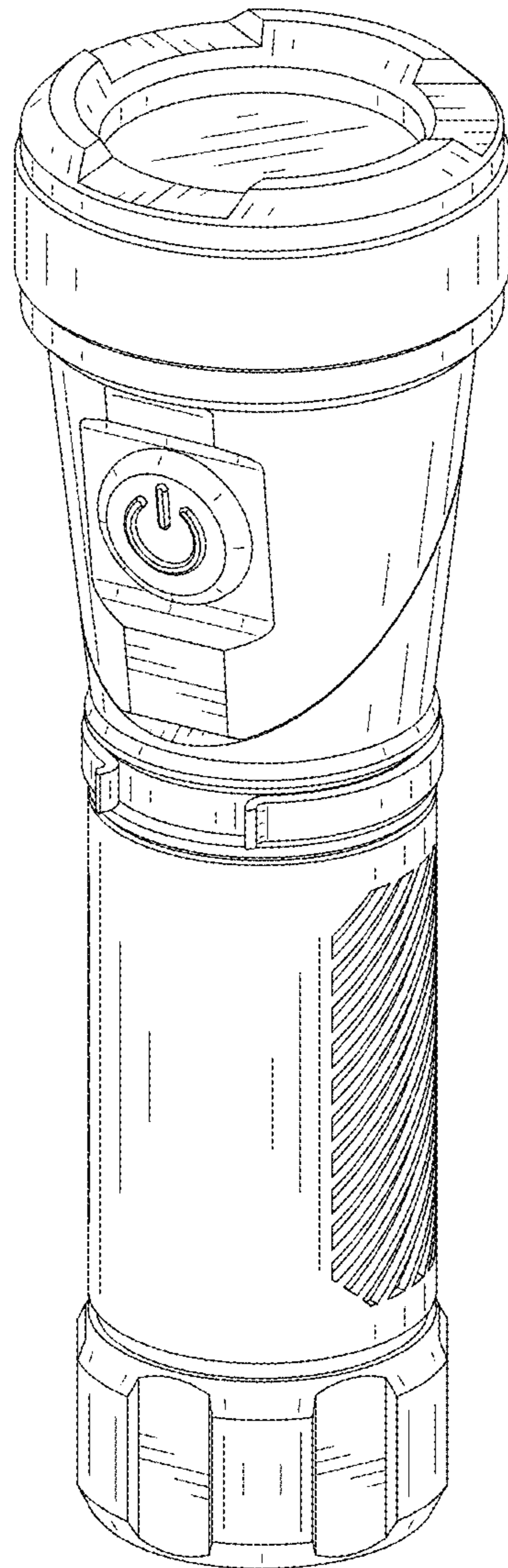


FIG.7

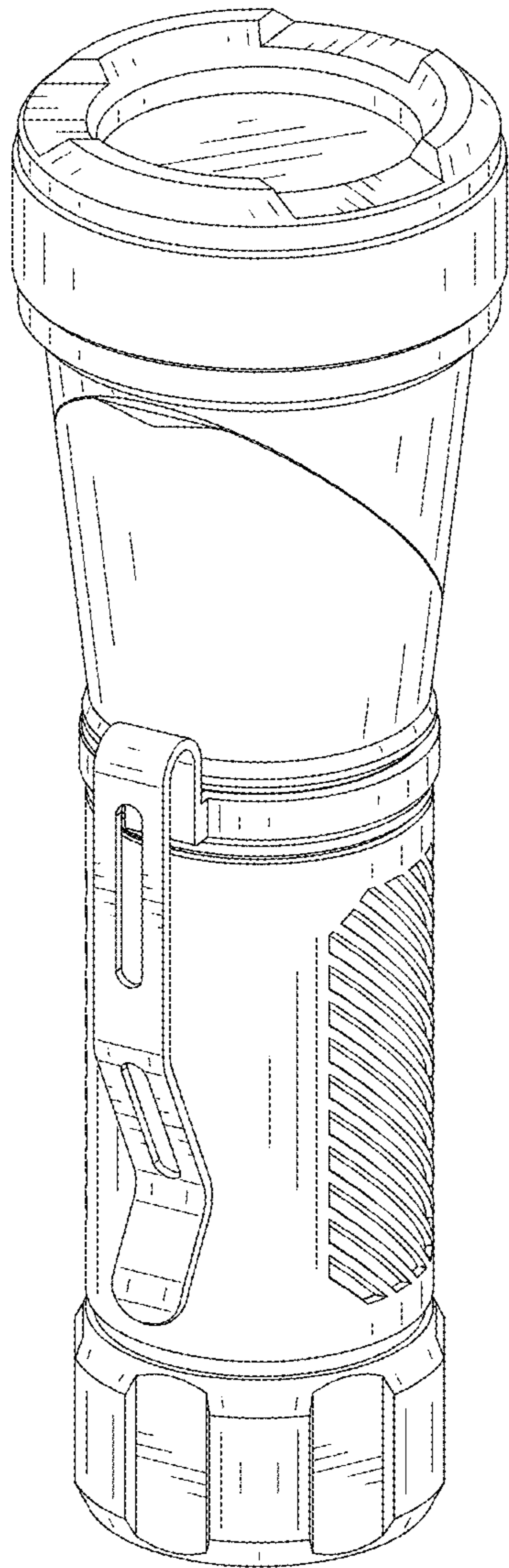


FIG. 8

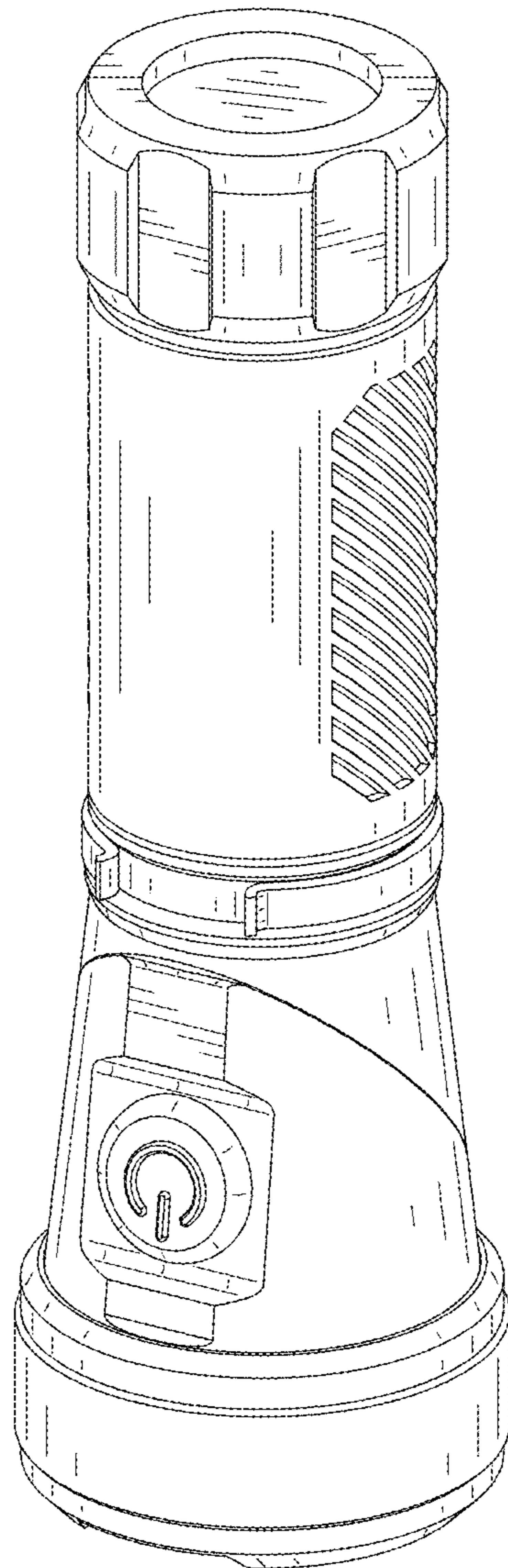


FIG.9

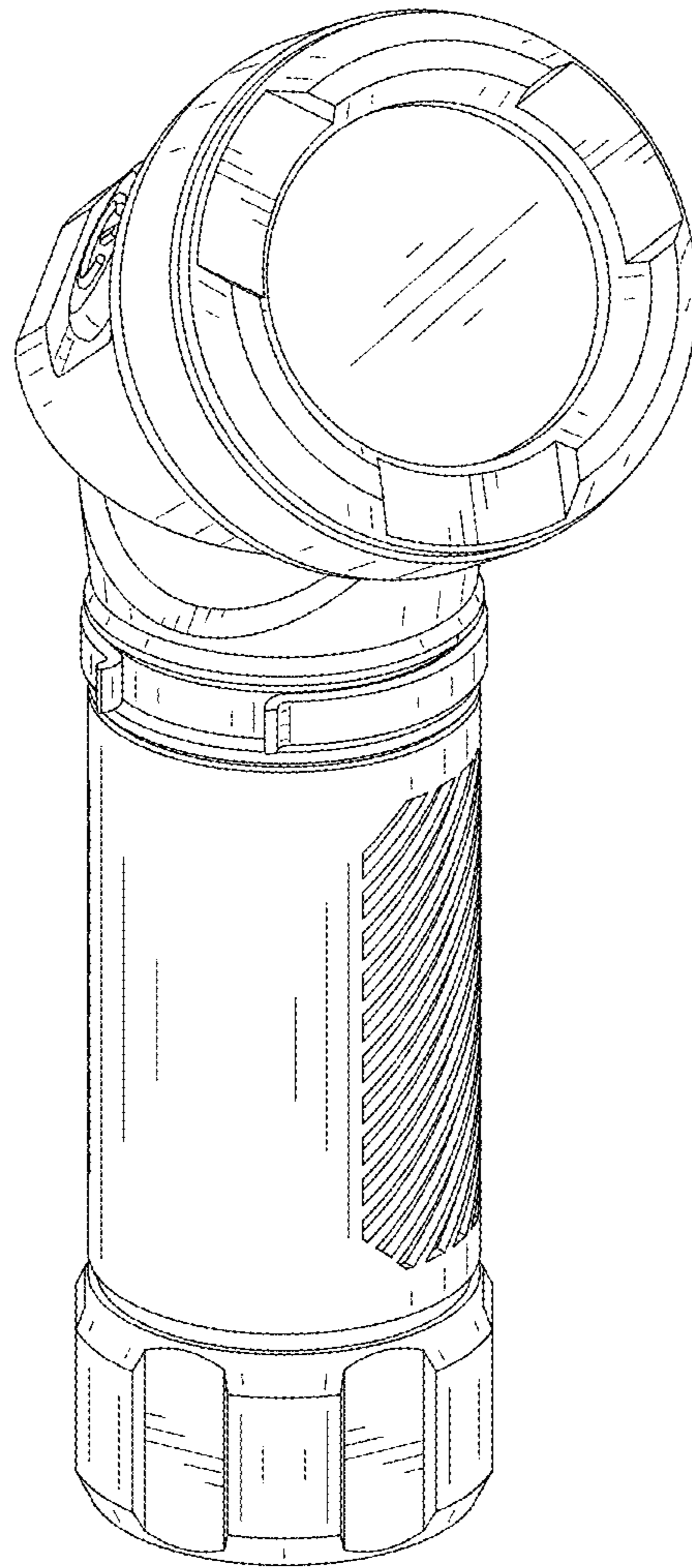


FIG.10

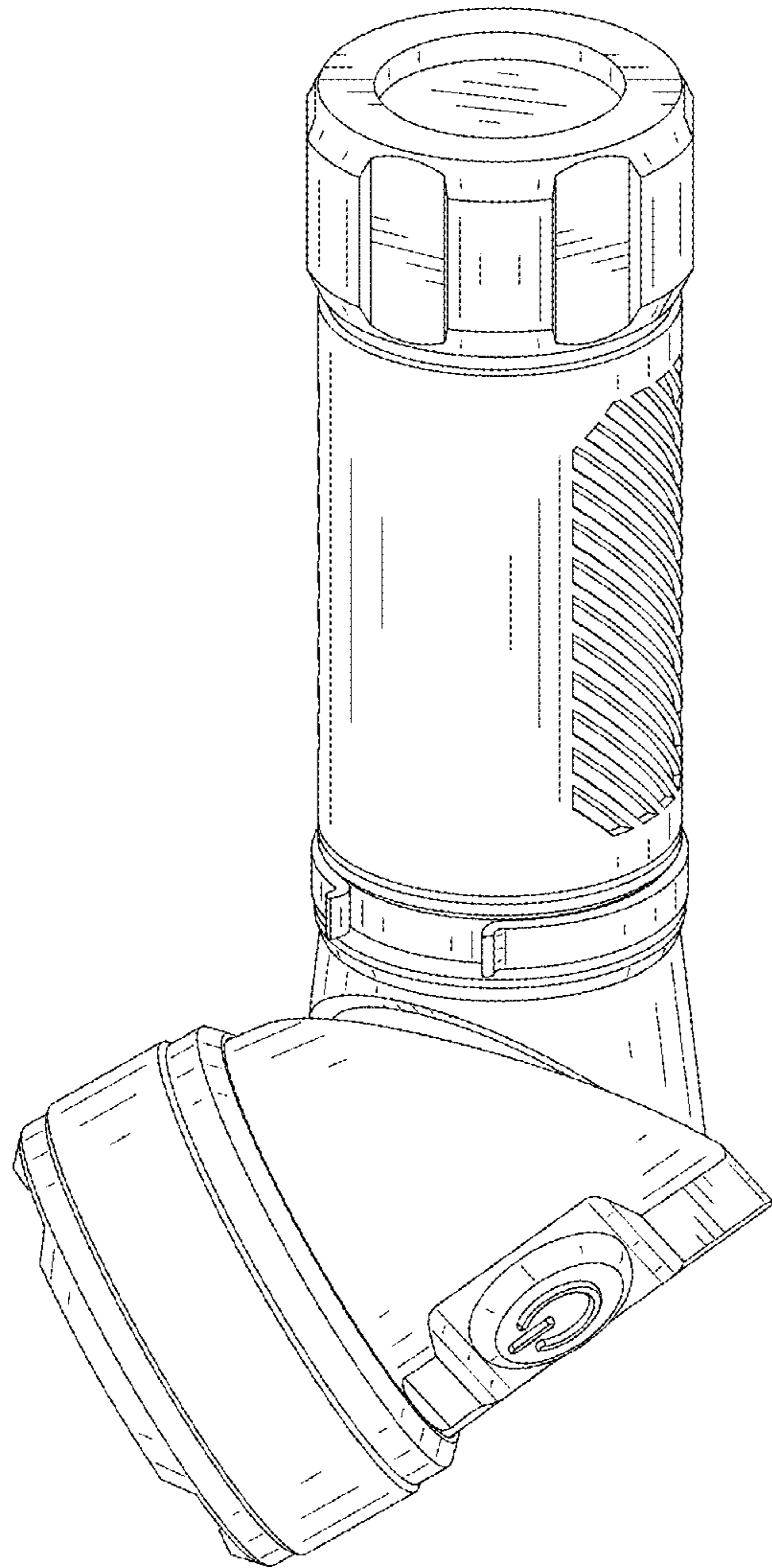


FIG.11

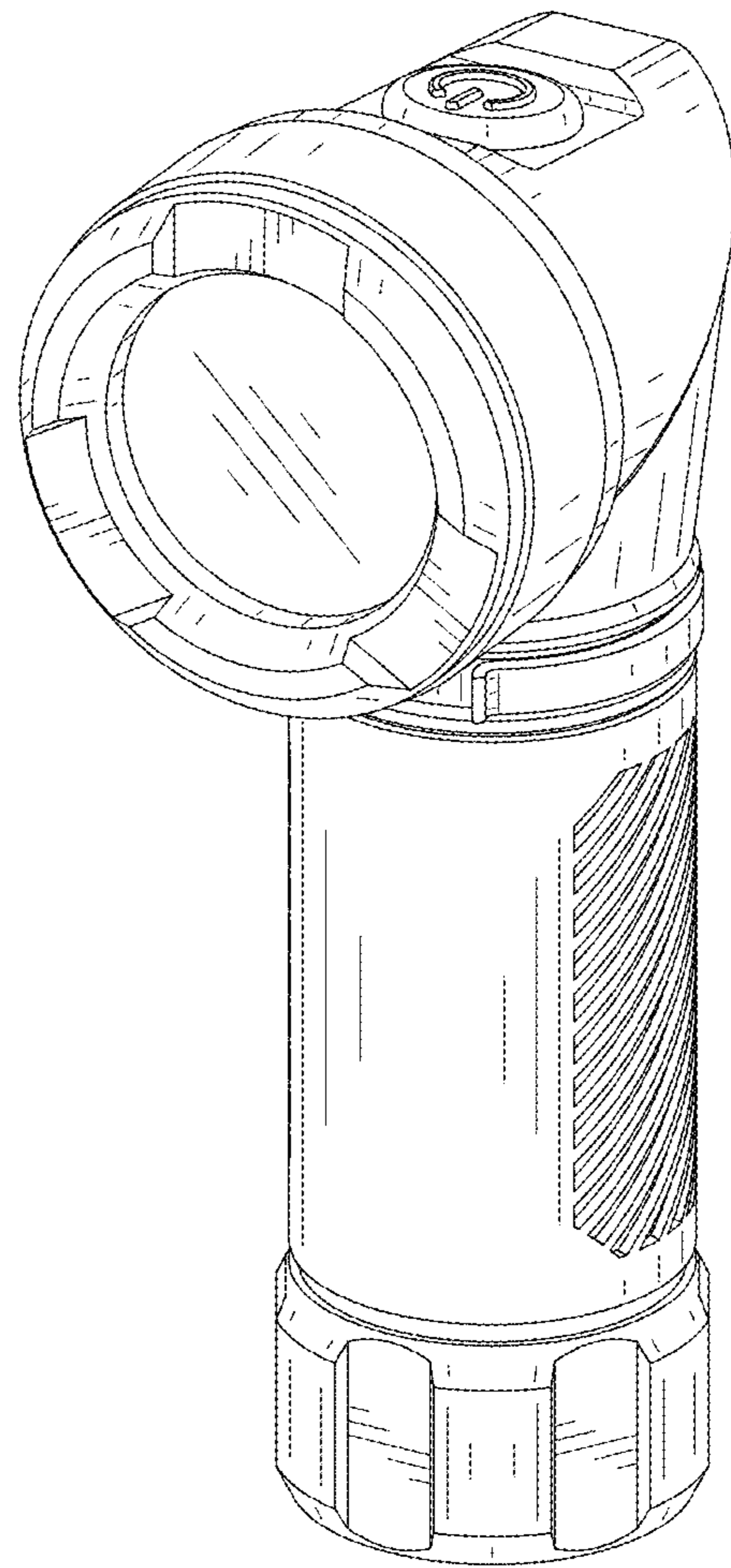


FIG.12

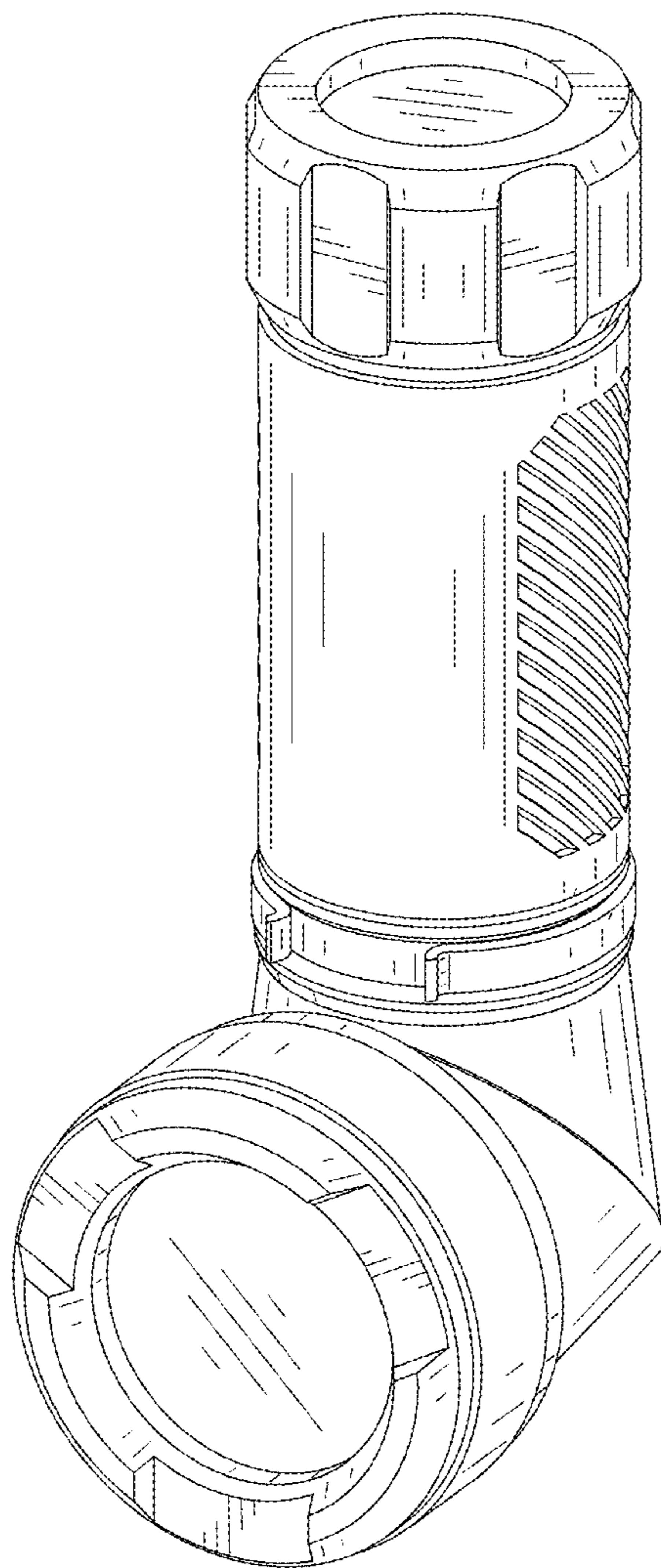


FIG.13

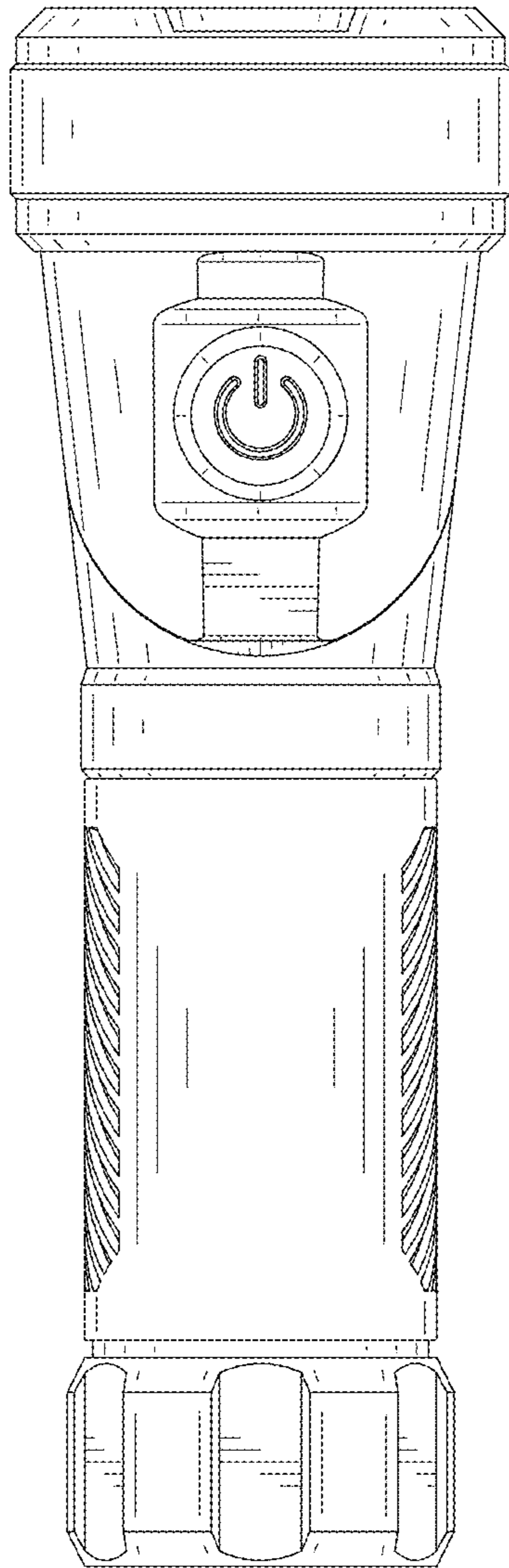


FIG.14

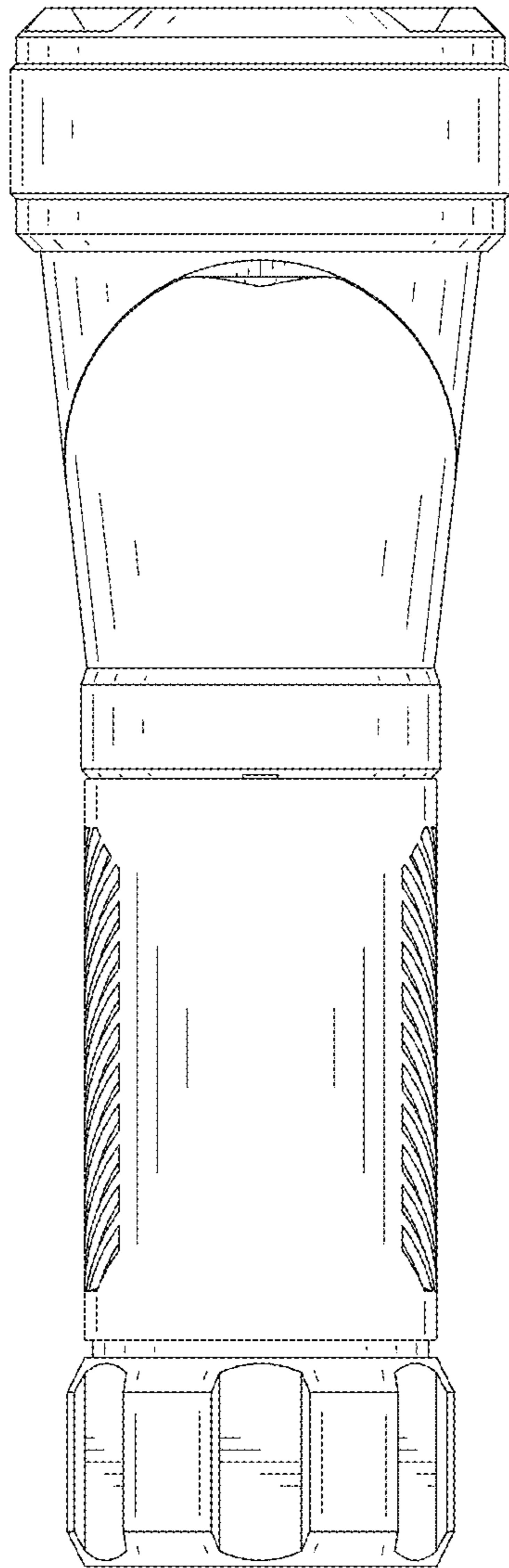


FIG.15

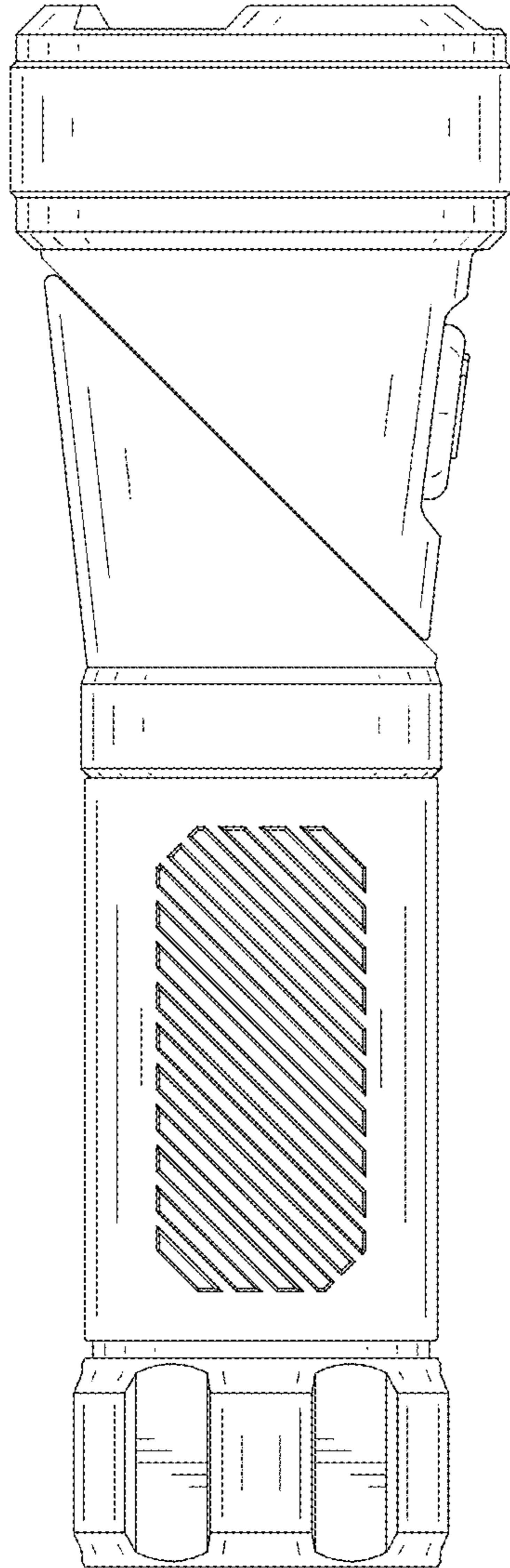


FIG.16

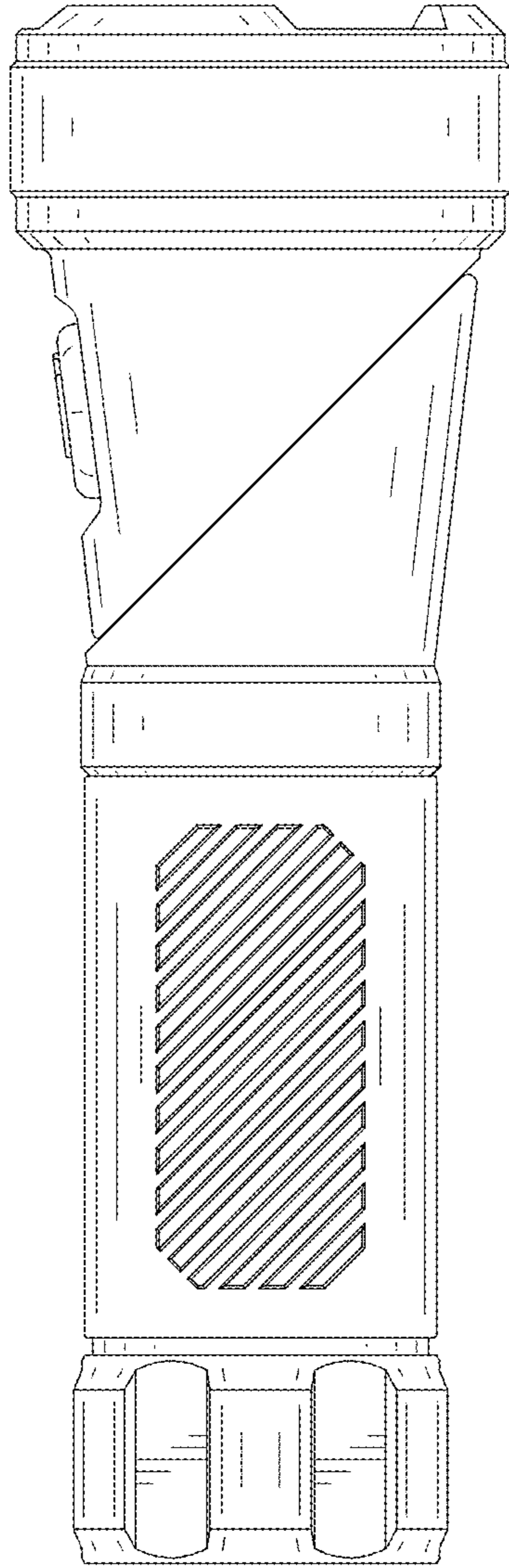


FIG.17

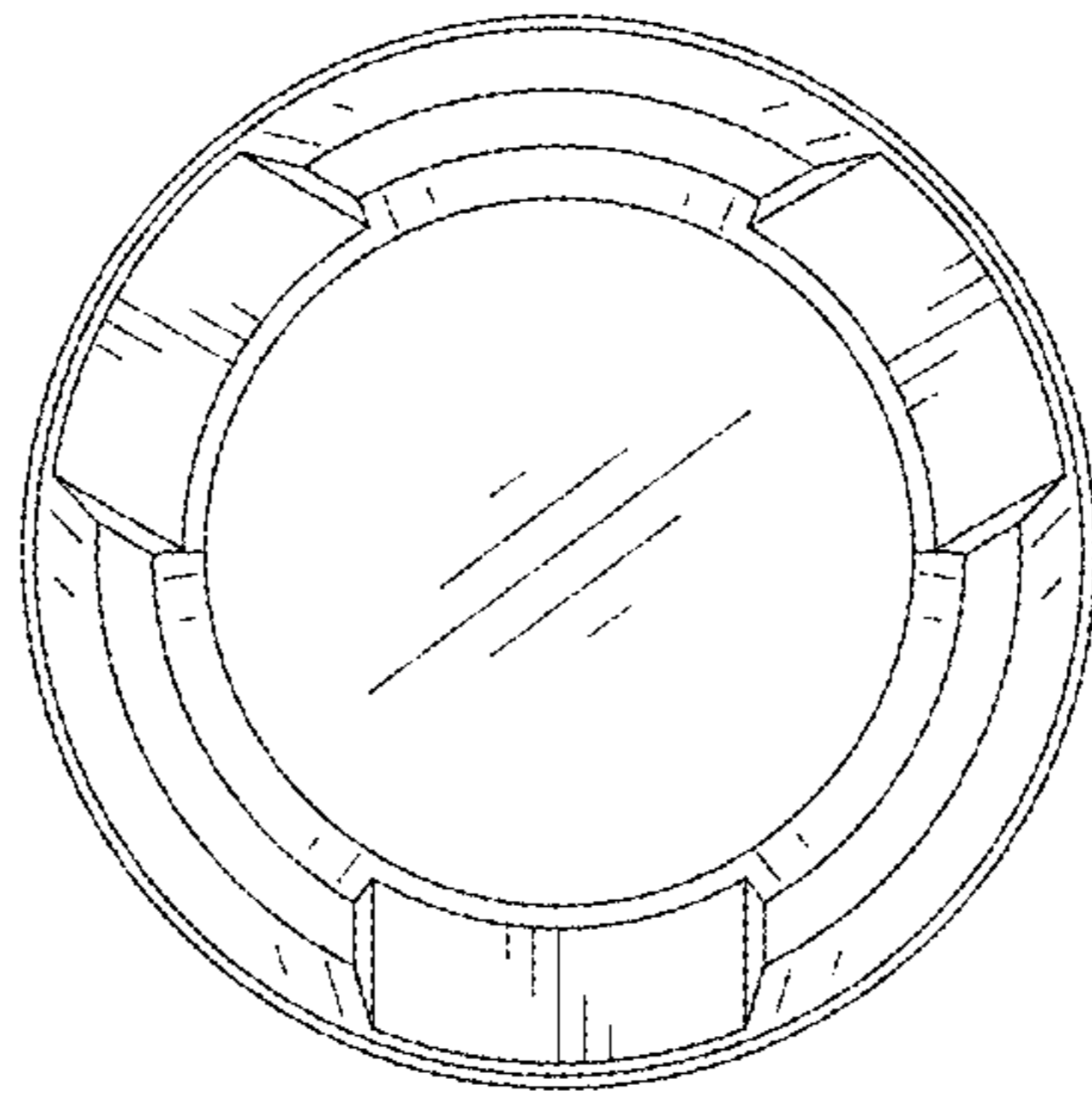


FIG.18

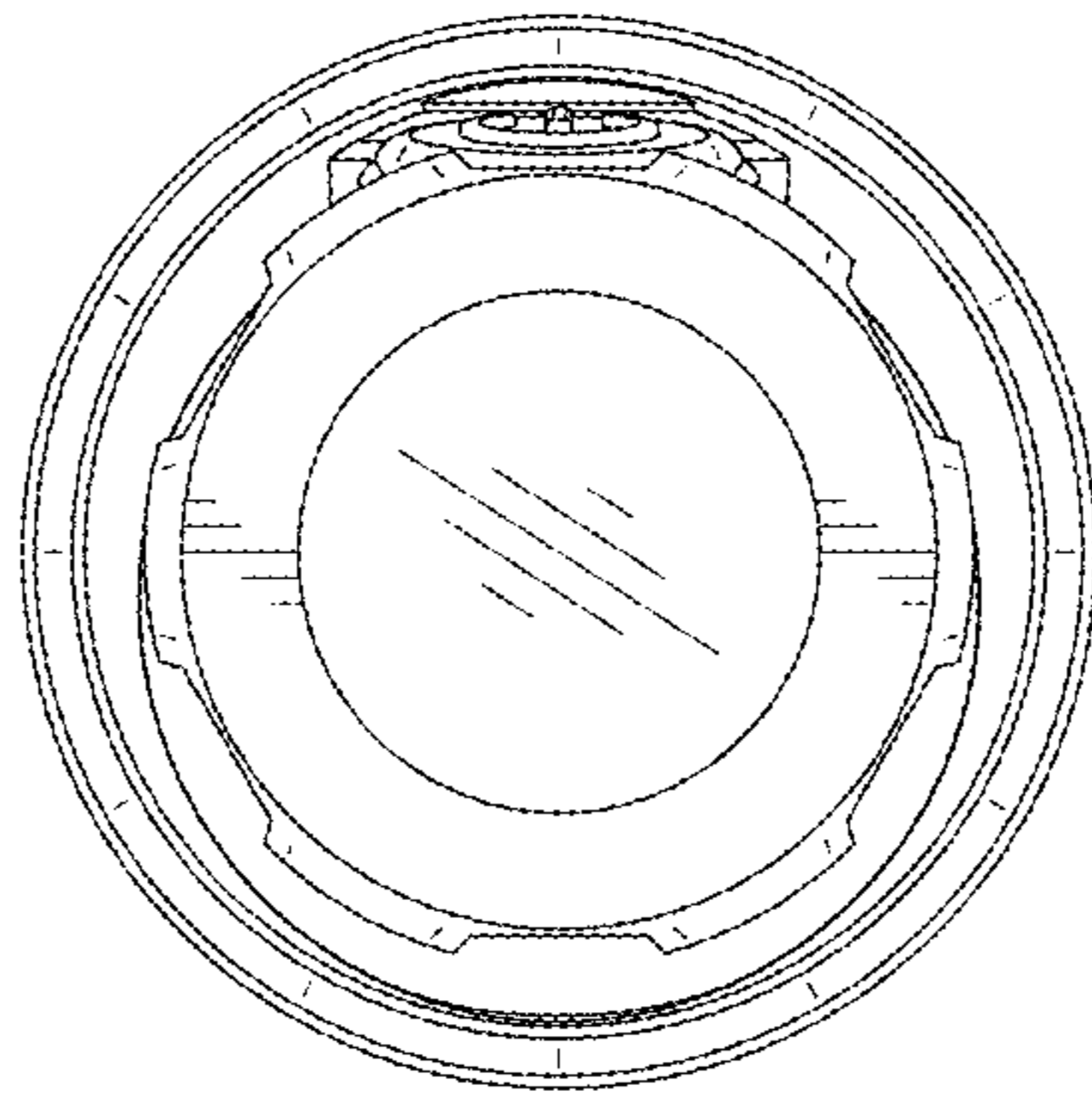


FIG.19

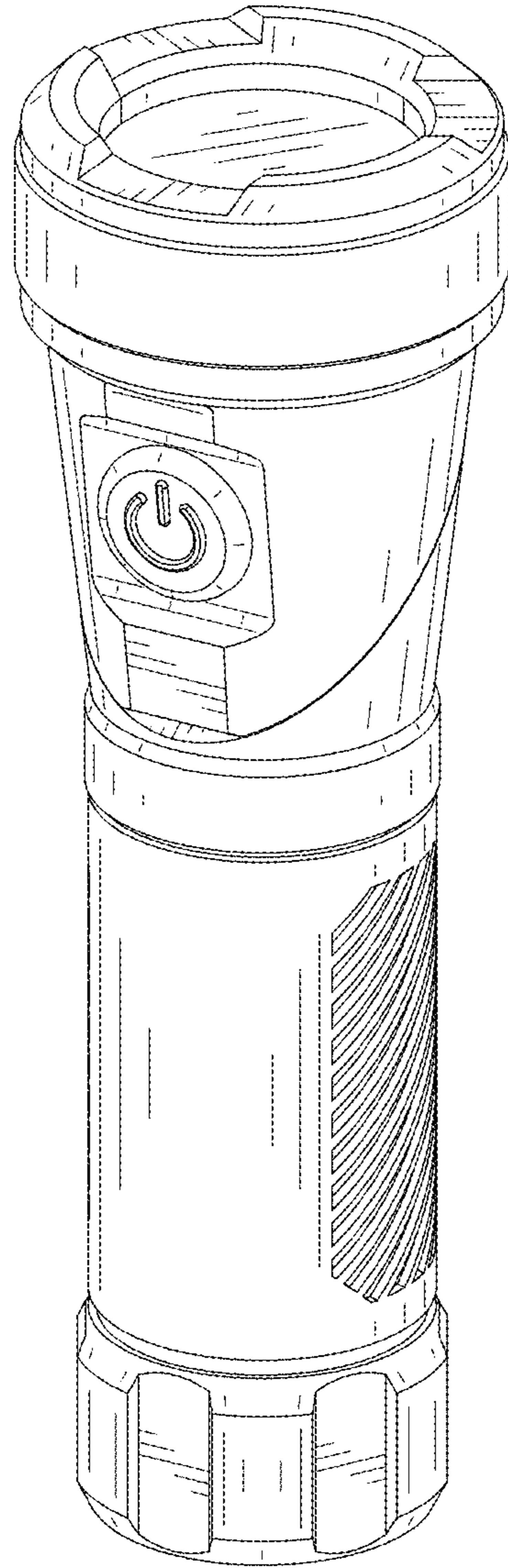


FIG.20

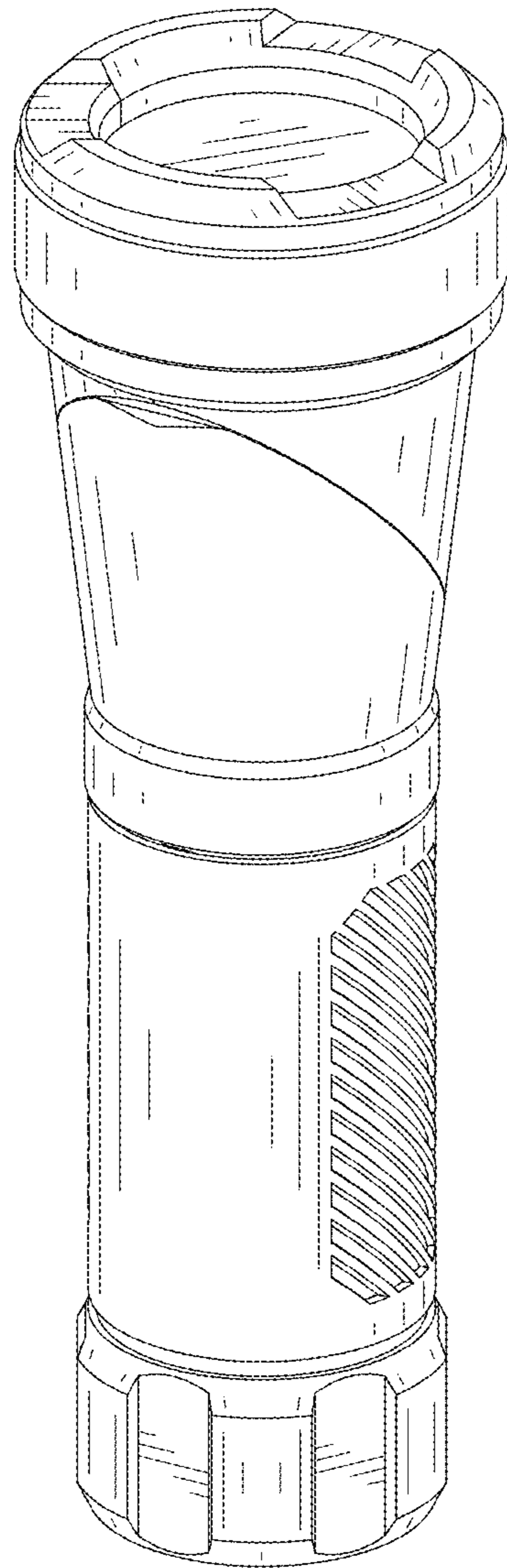


FIG.21

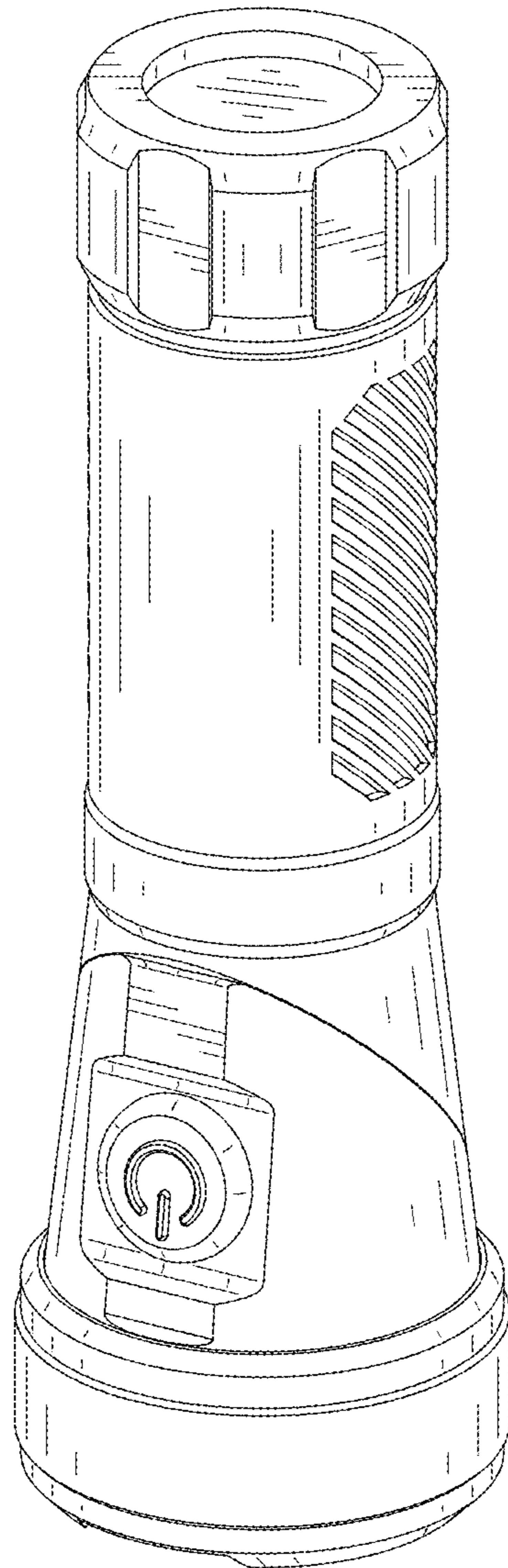


FIG.22

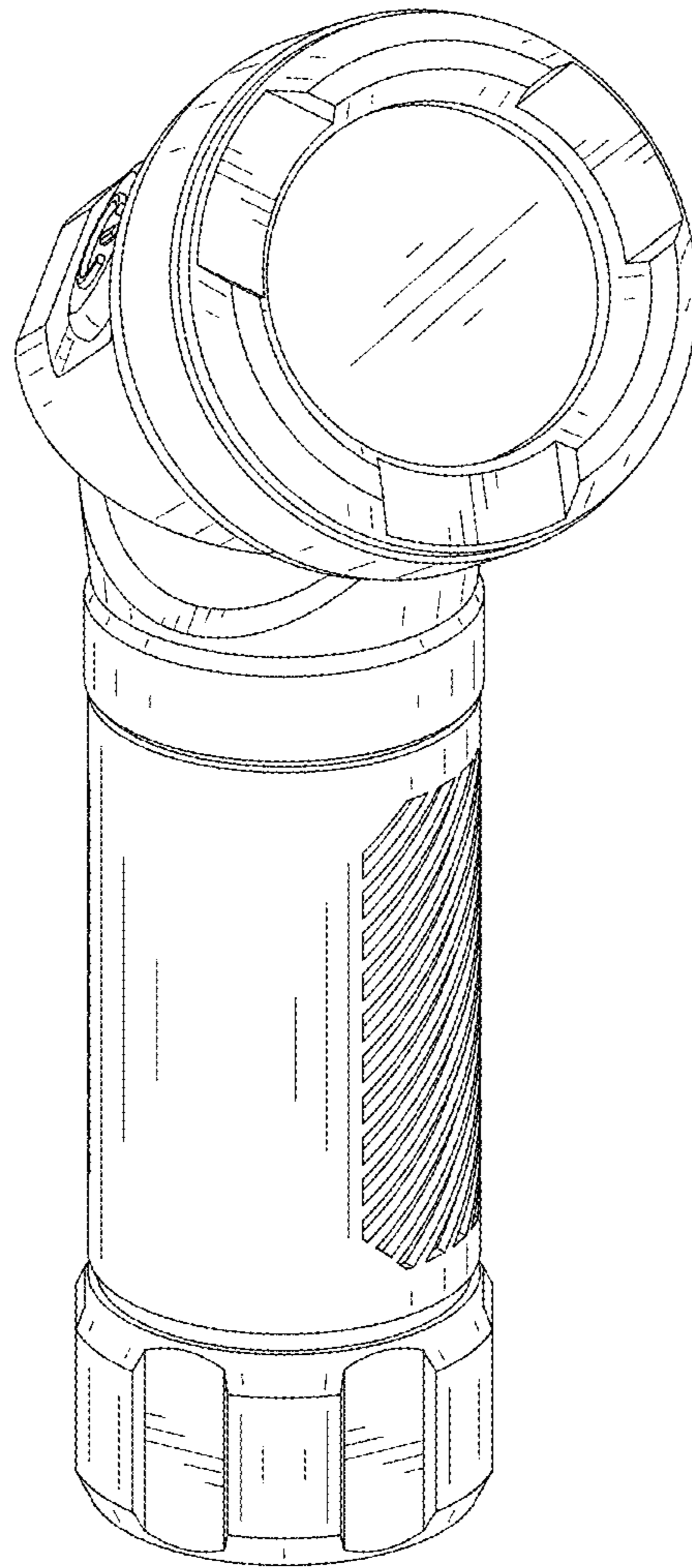


FIG.23

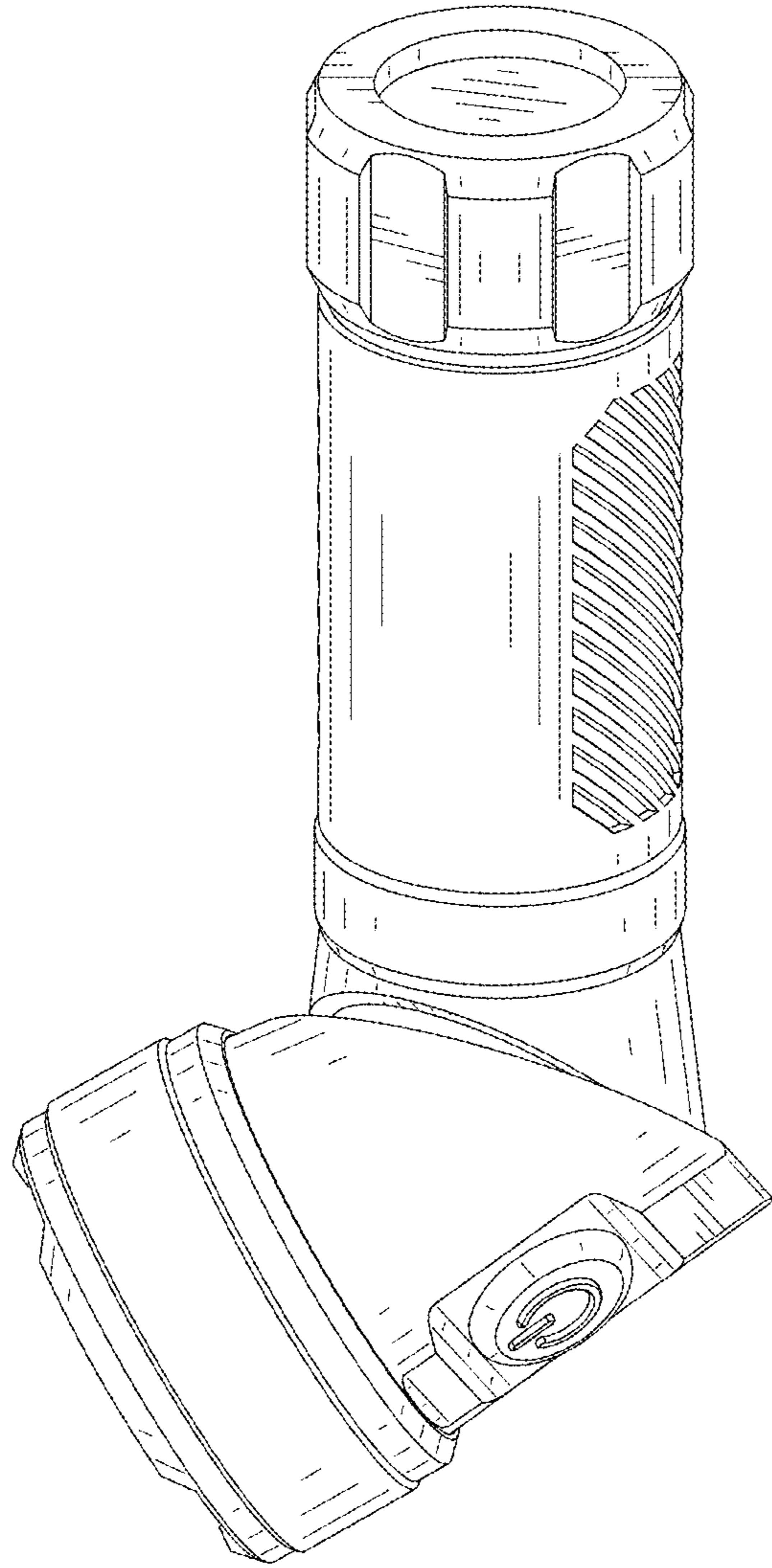


FIG.24

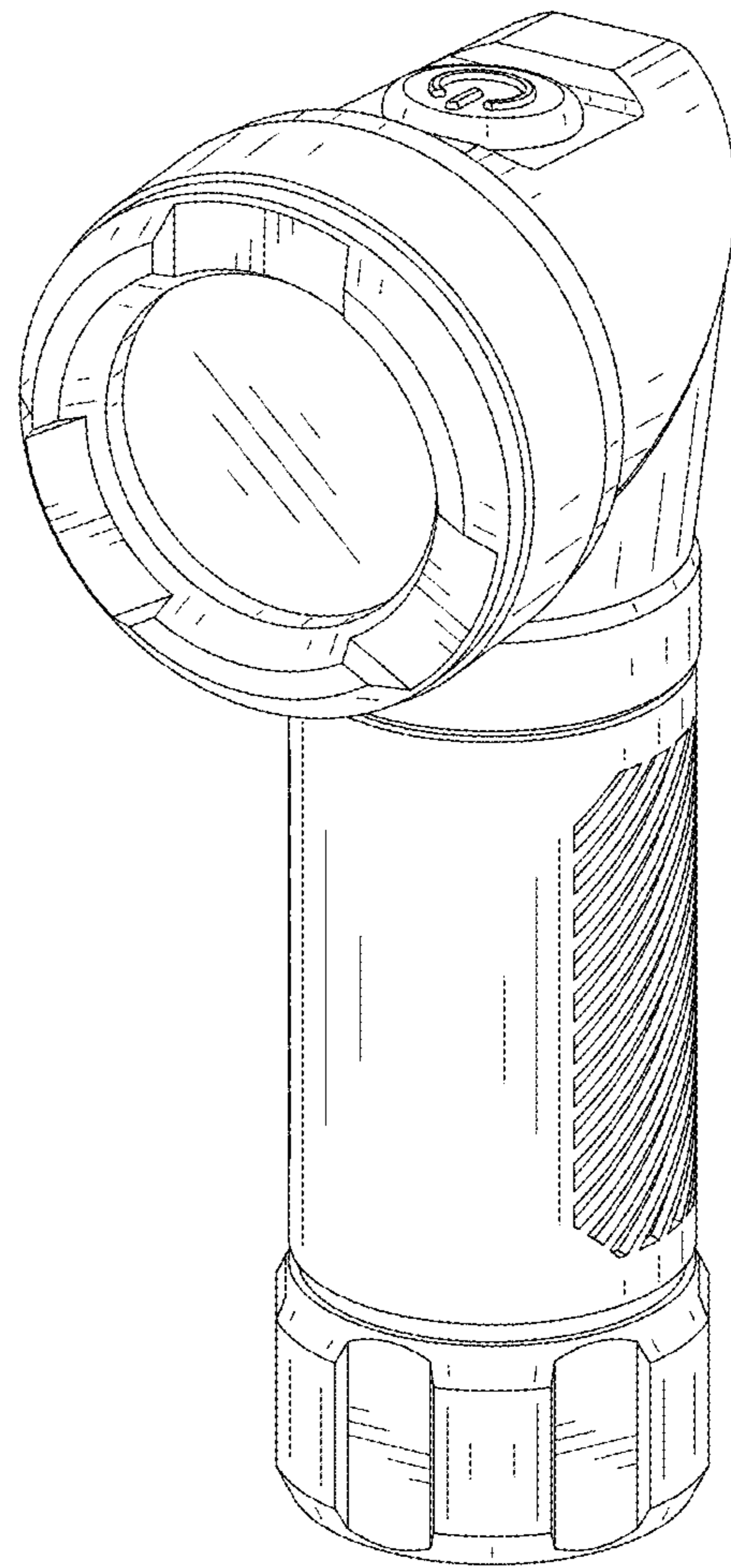


FIG.25

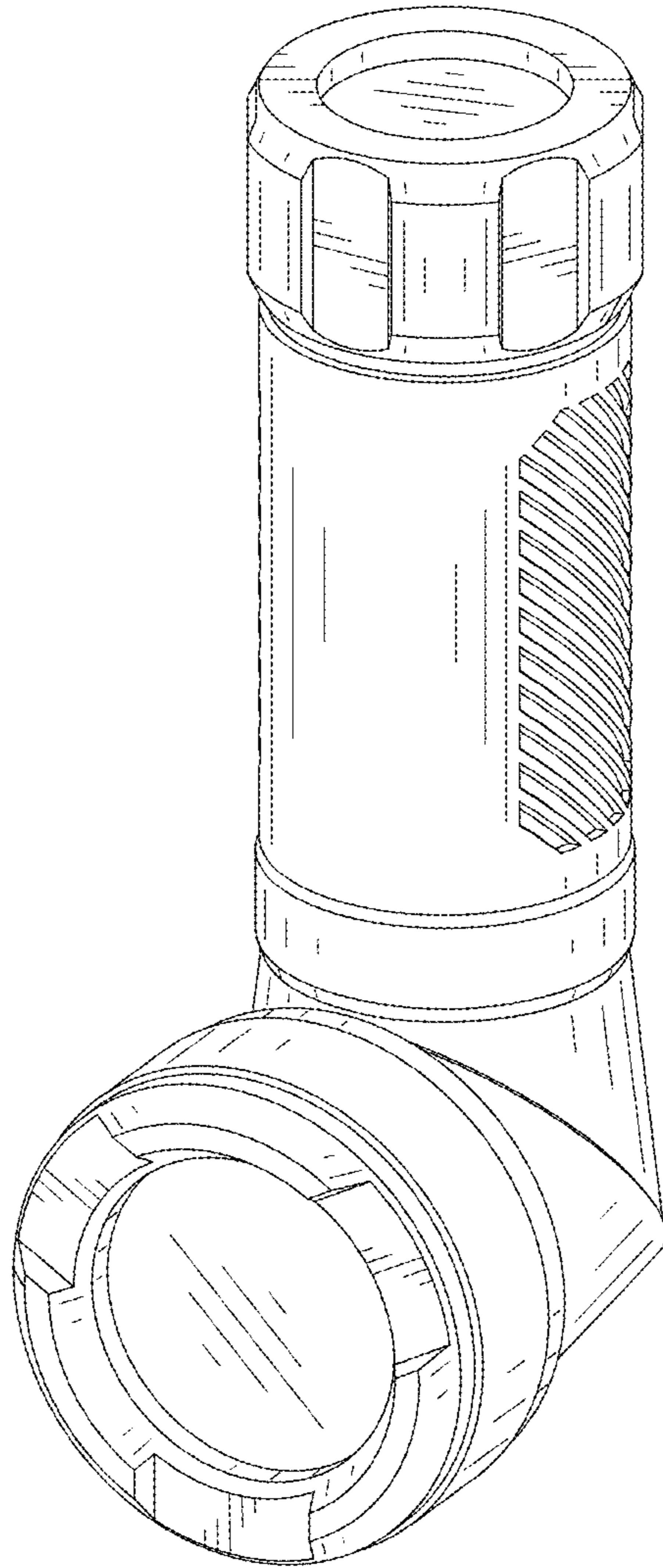


FIG.26

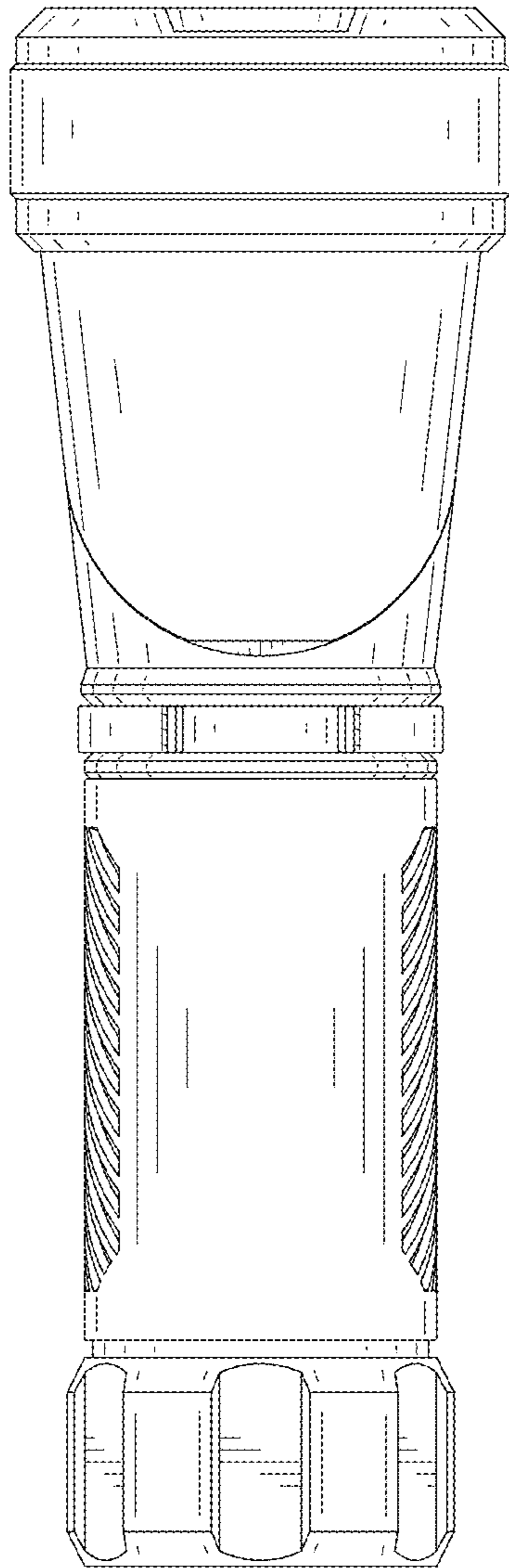


FIG.27

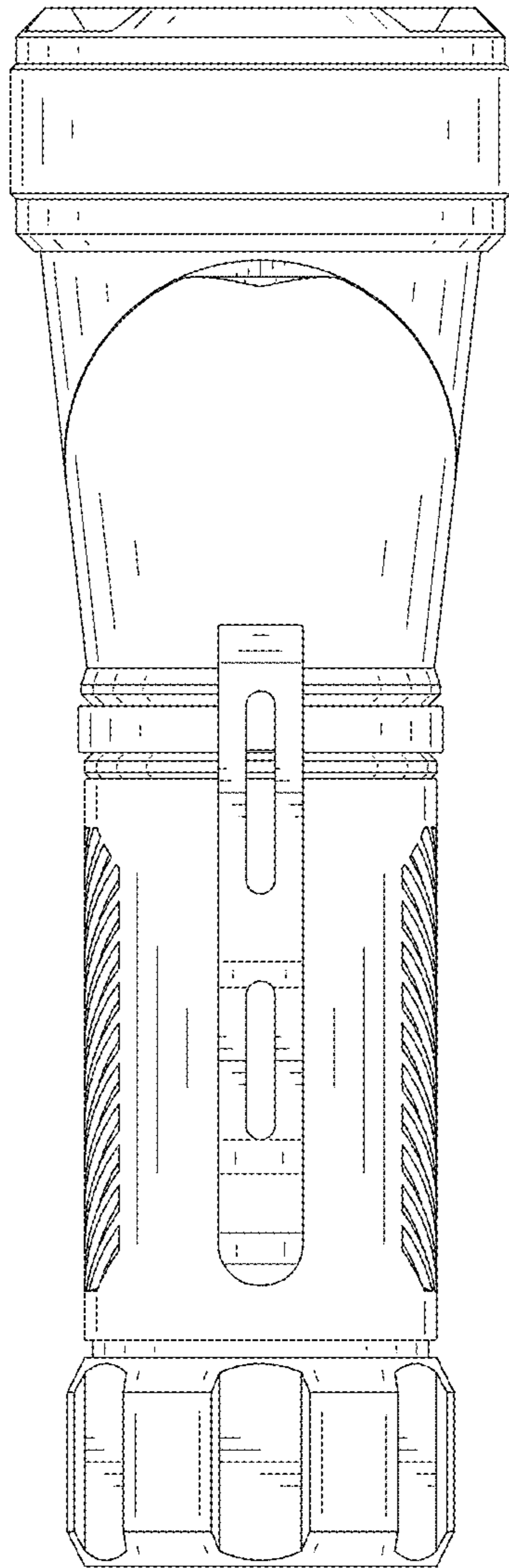


FIG.28

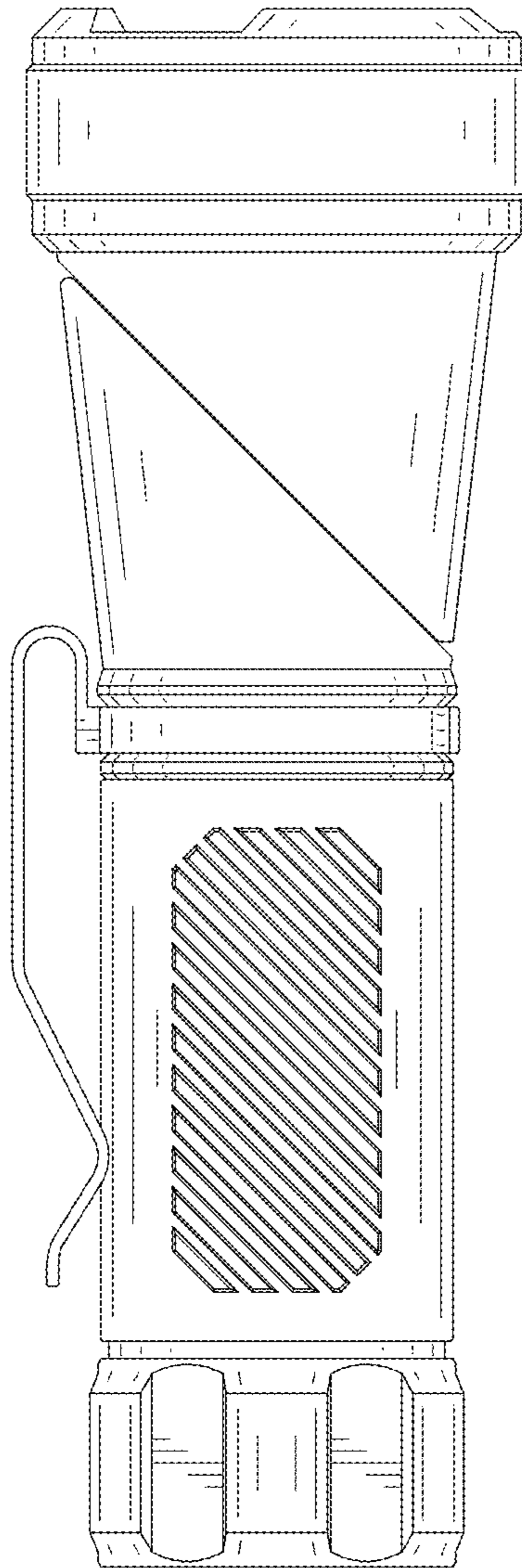


FIG.29

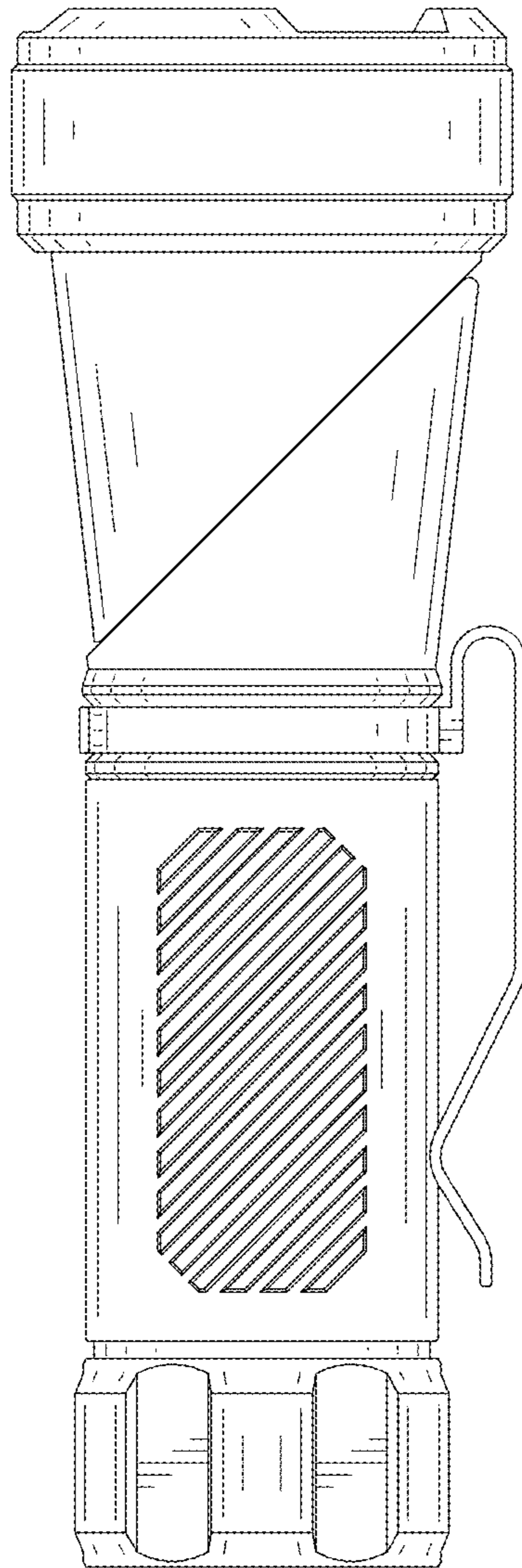


FIG.30

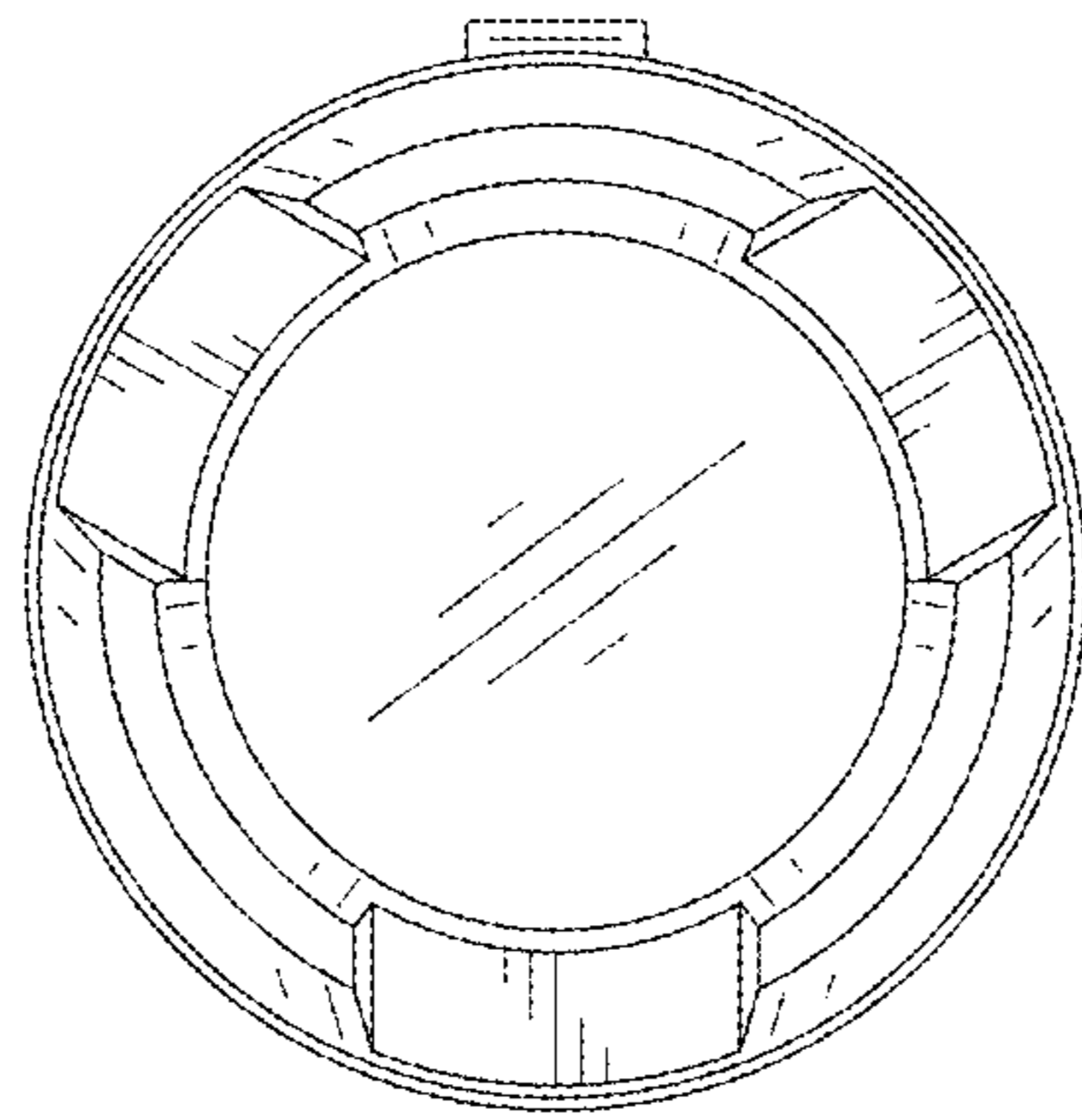


FIG.31

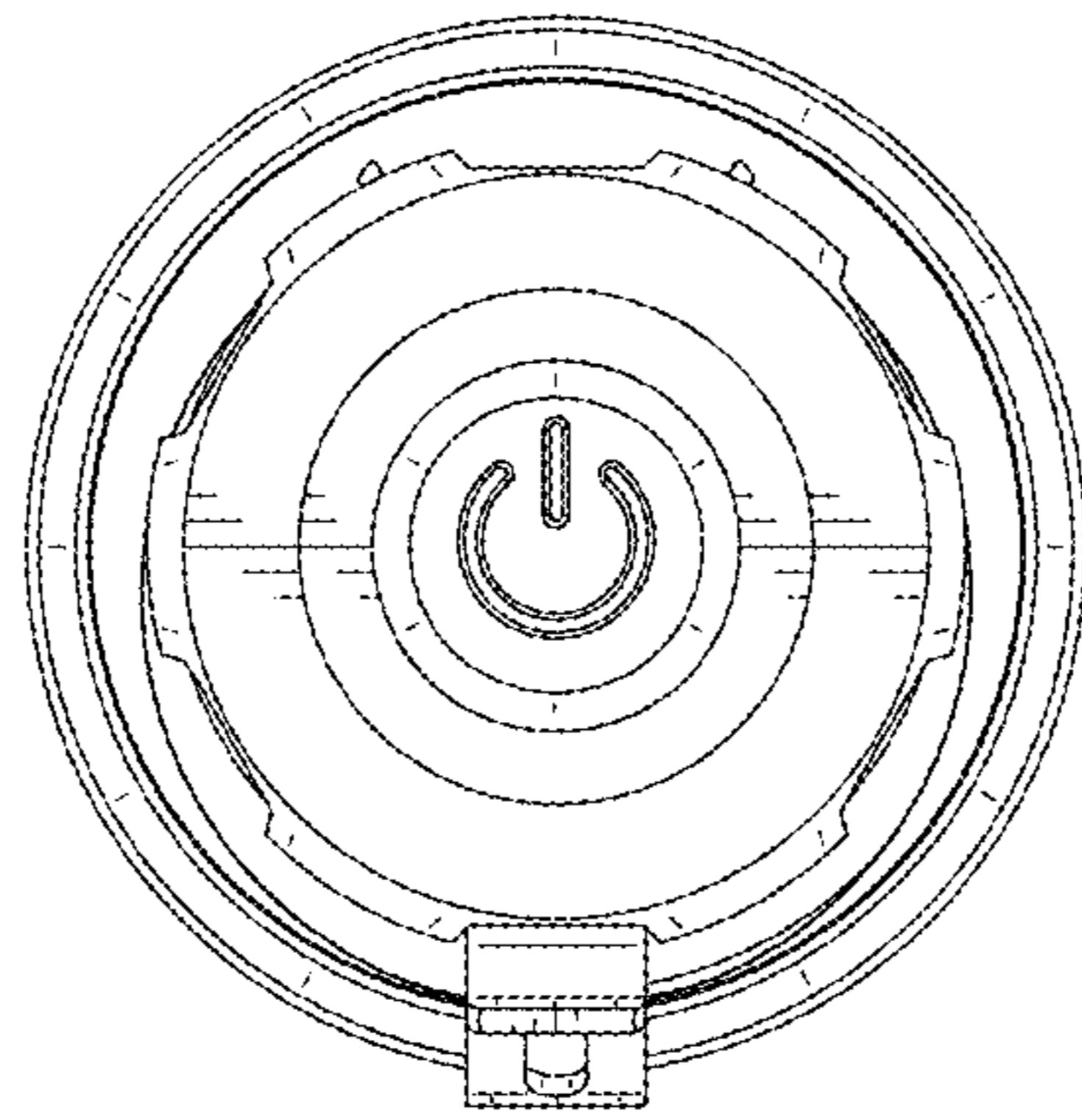


FIG.32

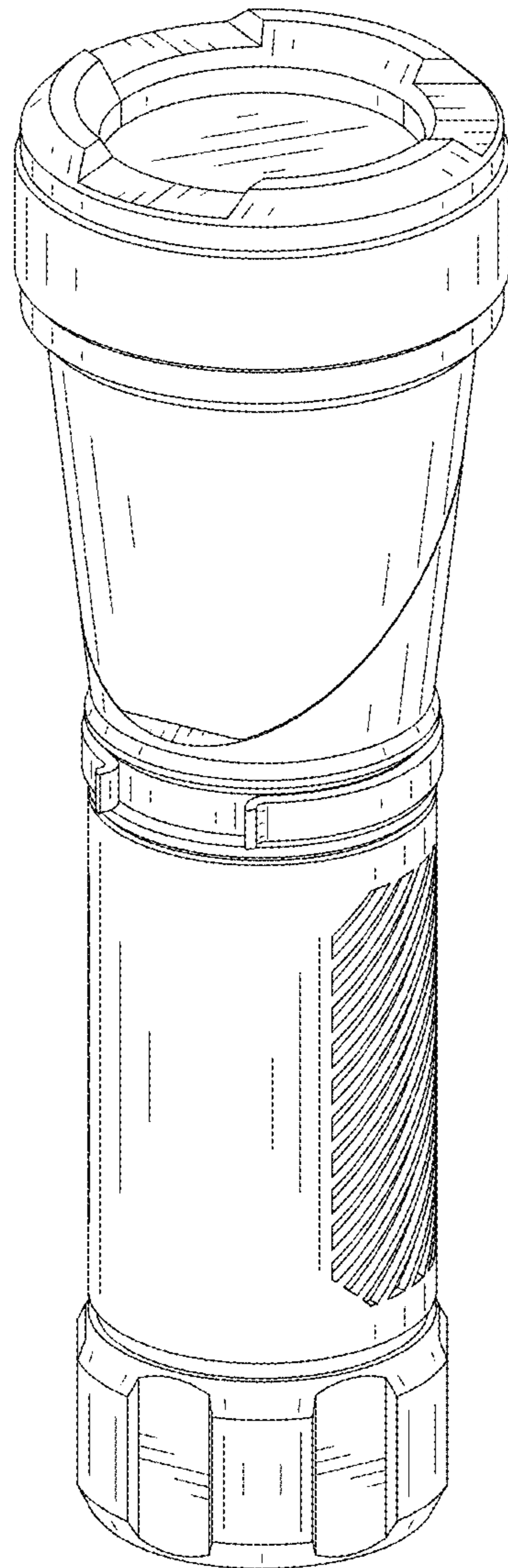


FIG.33

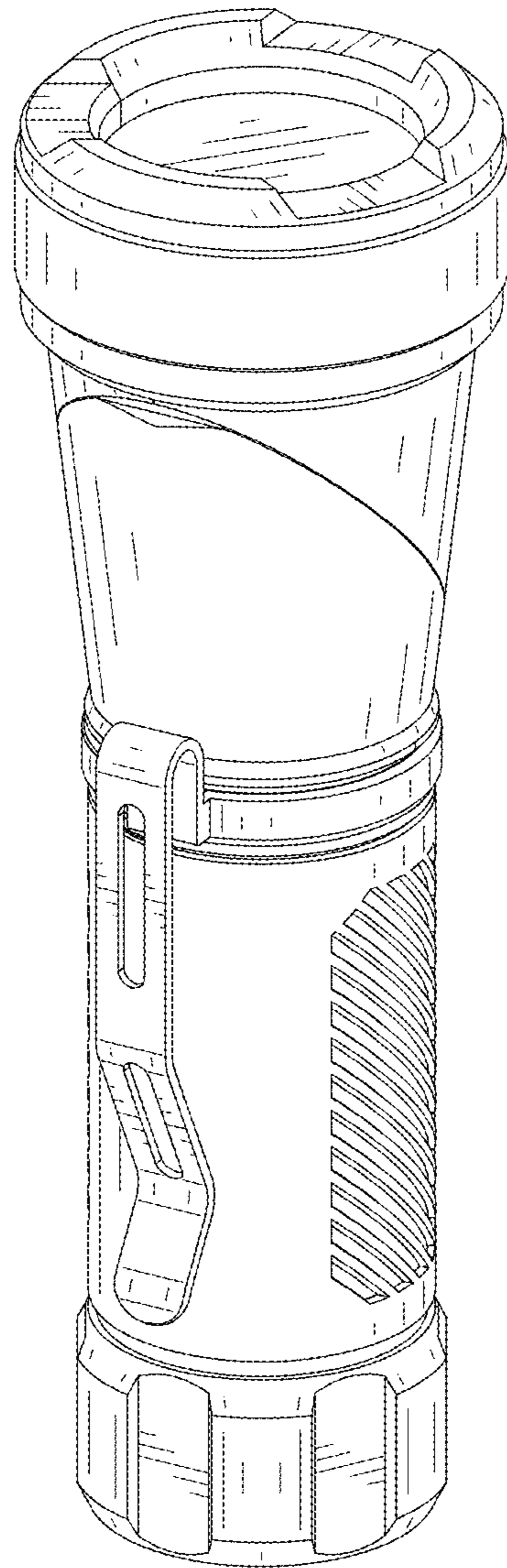


FIG.34

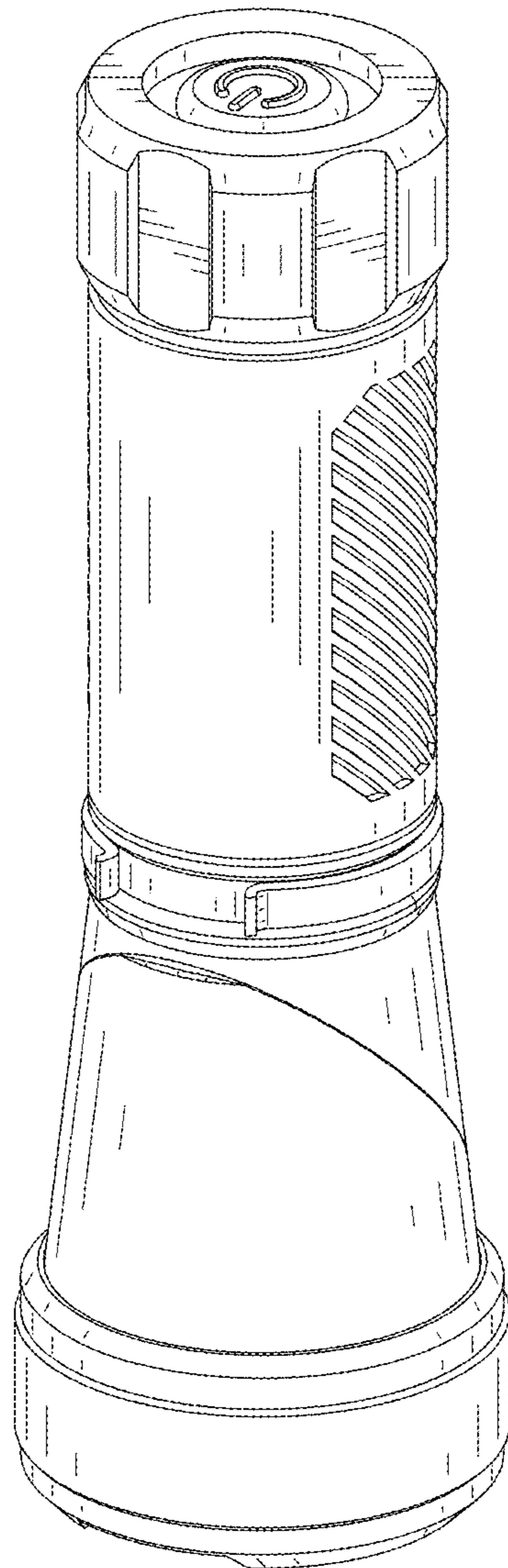


FIG.35

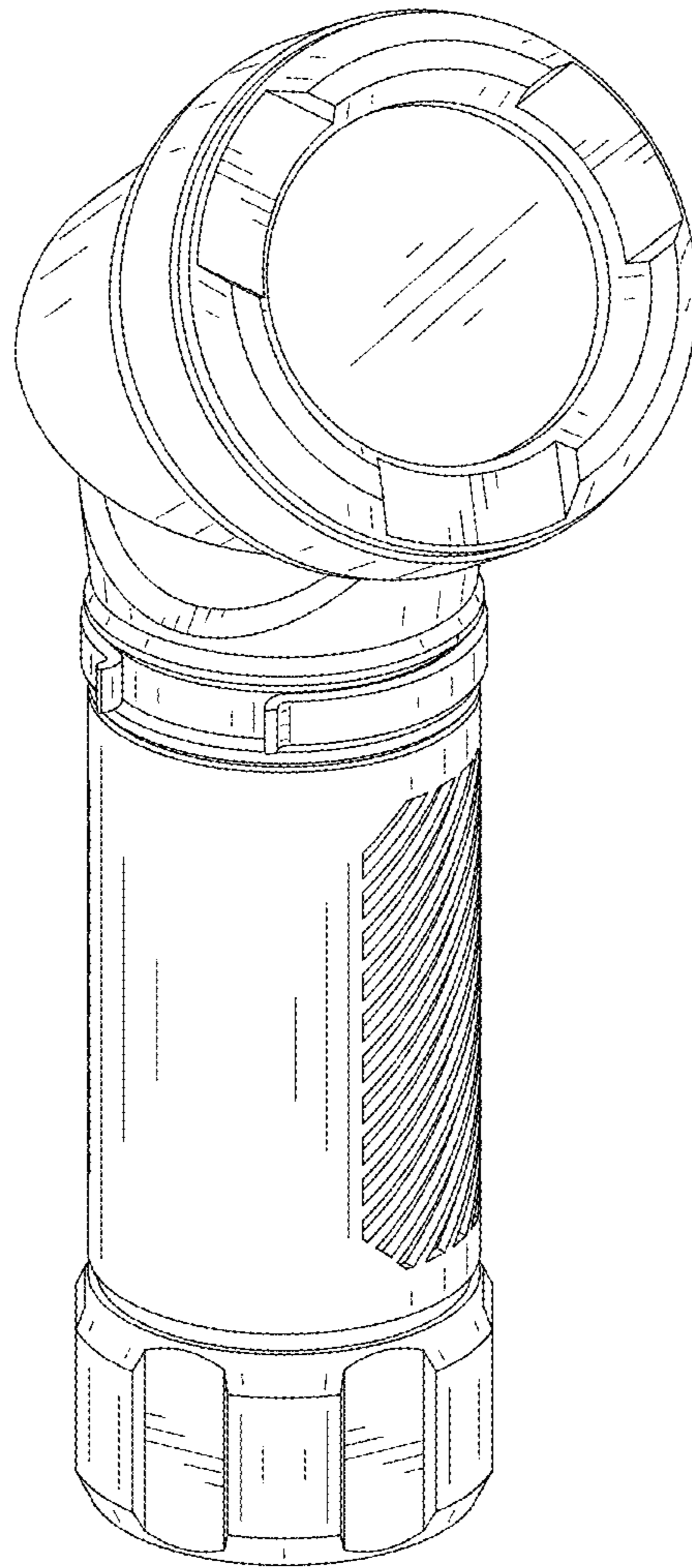


FIG.36

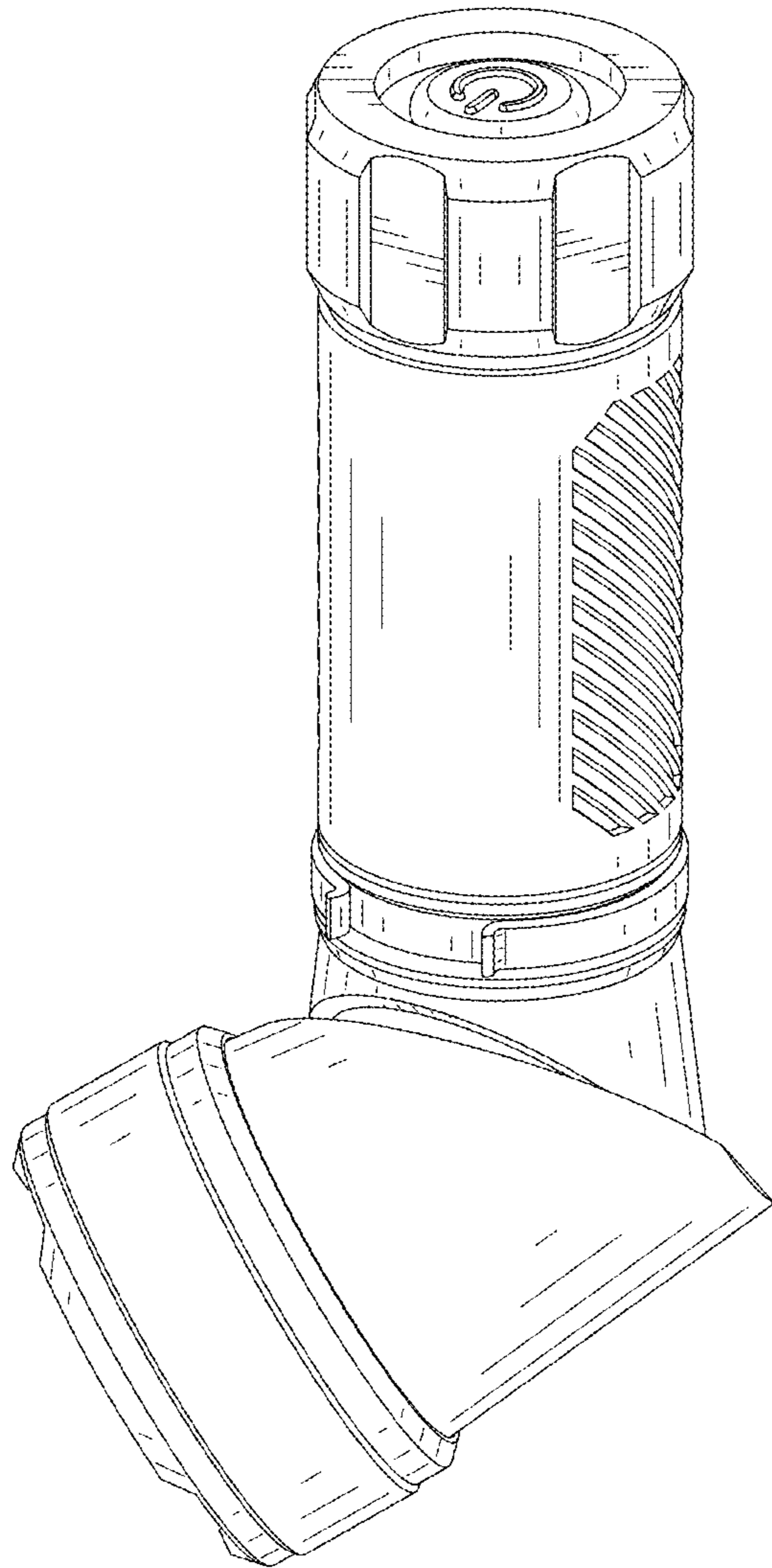


FIG.37

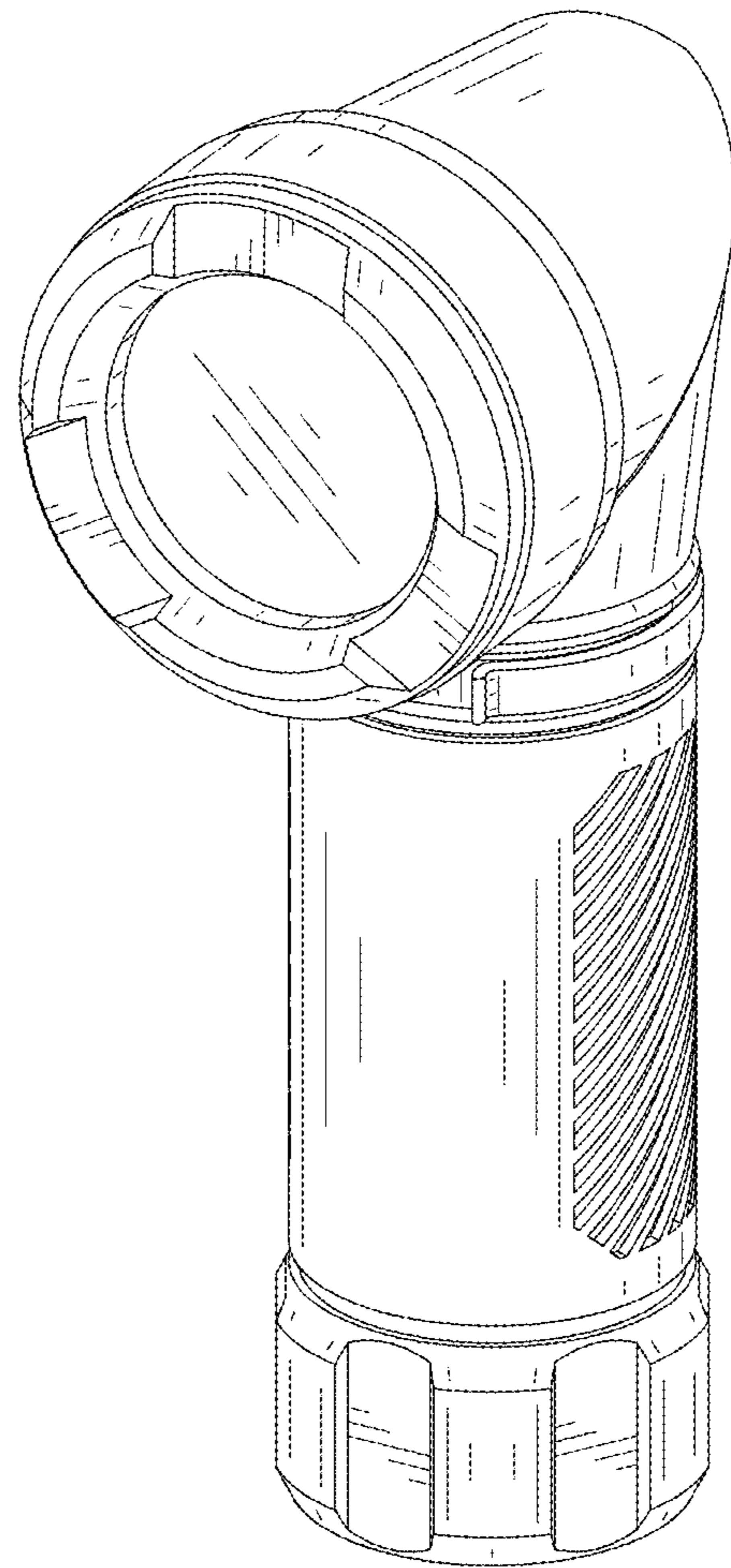


FIG.38

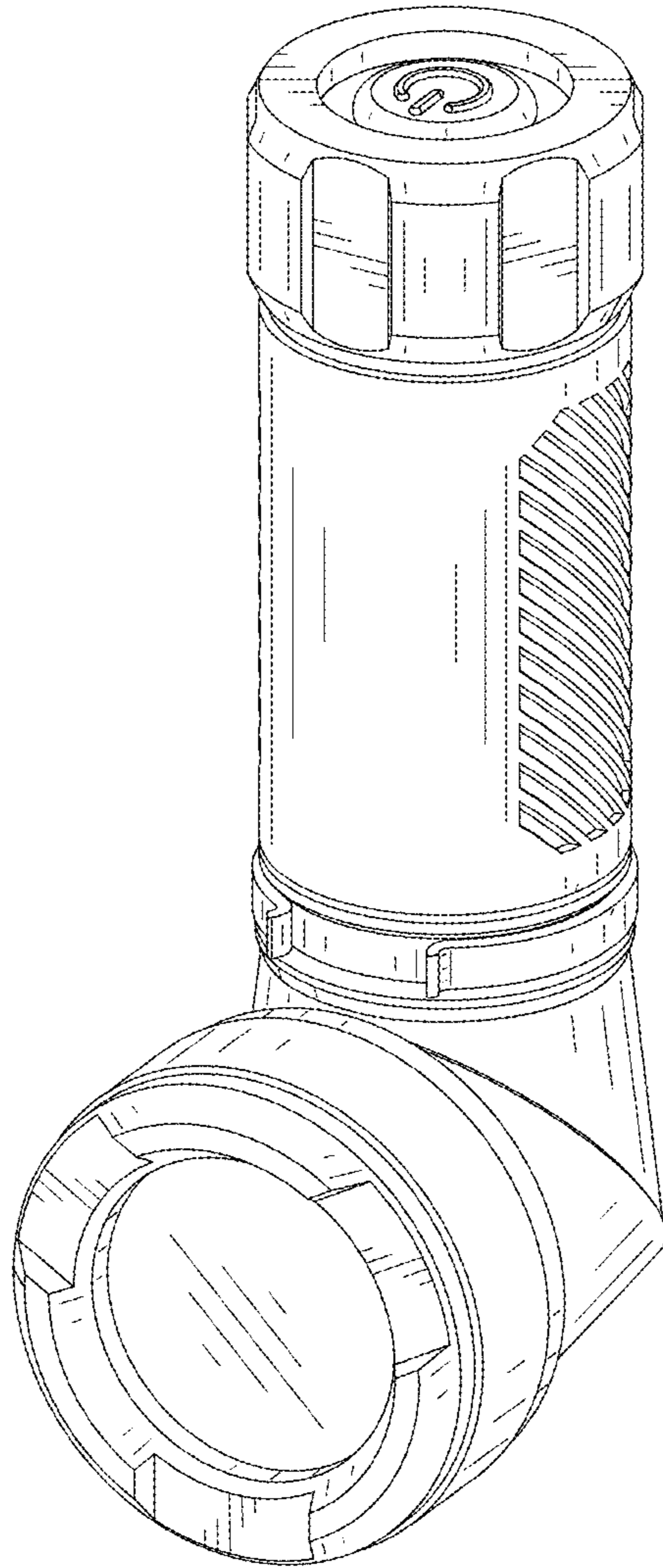


FIG.39