



US00D935644S

(12) **United States Design Patent** (10) **Patent No.:** **US D935,644 S**
Zhang (45) **Date of Patent:** **** Nov. 9, 2021**

(54) **LIGHT WITH FACETED LED**
(71) Applicant: **Fan Zhang**, Zhejiang (CN)
(72) Inventor: **Fan Zhang**, Zhejiang (CN)
(**) Term: **15 Years**
(21) Appl. No.: **29/765,381**
(22) Filed: **Jan. 7, 2021**
(51) **LOC (13) Cl.** **26-04**
(52) **U.S. Cl.**
USPC **D26/2**
(58) **Field of Classification Search**
USPC D26/1-11
CPC H01R 5/00; H01R 13/46; H01R 13/514;
H01R 31/048; H01R 31/02; H01J 5/00;
H01J 5/16; H01J 1/02; H01J 15/00; H01J
5/48; H01J 5/50; H01J 19/54; F21V 5/00;
F21K 9/00; F21K 13/00
See application file for complete search history.

(56) **References Cited**
U.S. PATENT DOCUMENTS

D392,057 S * 3/1998 Chen D26/2
D405,201 S * 2/1999 Lodhie D26/2

D426,899 S * 6/2000 Au Yeng D26/2
D543,644 S * 5/2007 Bembridge D26/2
D689,219 S * 9/2013 Zhang D26/2
D803,465 S 11/2017 Livesay et al.
D851,066 S 6/2019 Hsu

* cited by examiner

Primary Examiner — Marcus A Jackson
(74) *Attorney, Agent, or Firm* — ScienBiziP, P.C.

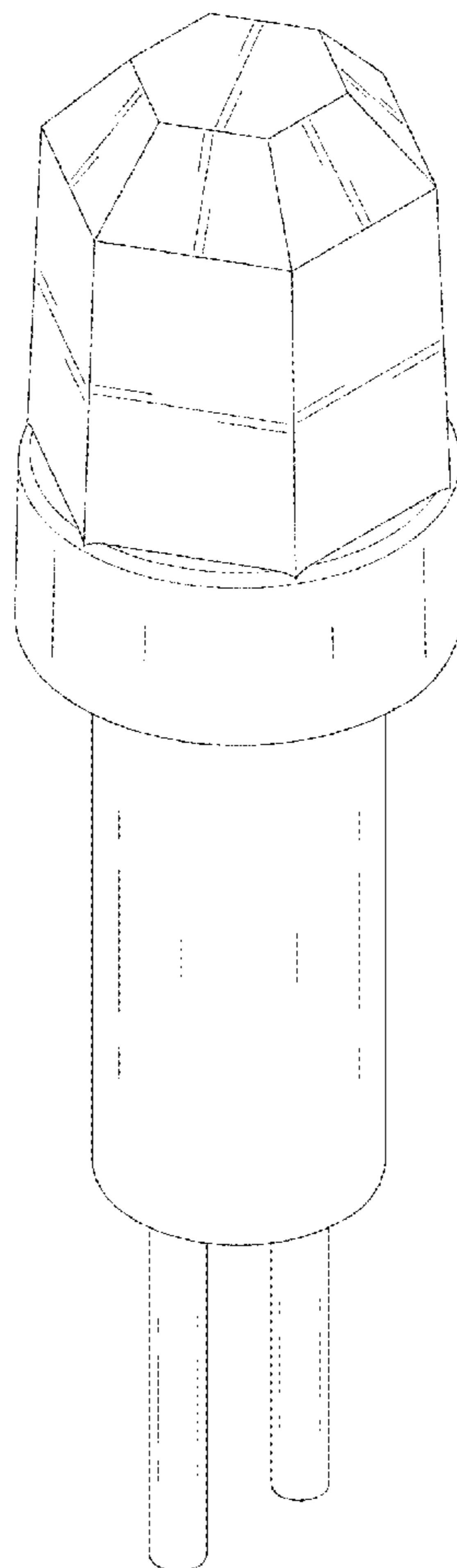
(57) **CLAIM**

The ornamental design for a light with faceted LED, as shown and described.

DESCRIPTION

FIG. 1 is a top and right perspective view of a light with faceted LED, showing my design.
FIG. 2 is a front elevation view thereof.
FIG. 3 is a rear elevation view thereof.
FIG. 4 is a left side elevation thereof.
FIG. 5 is a right side elevation thereof.
FIG. 6 is a top plan view thereof; and,
FIG. 7 is a bottom plan view thereof.
The broken lines shown in the drawings are included for the purpose of illustrating portions of the light with faceted LED that form no part of the claimed design.

1 Claim, 7 Drawing Sheets



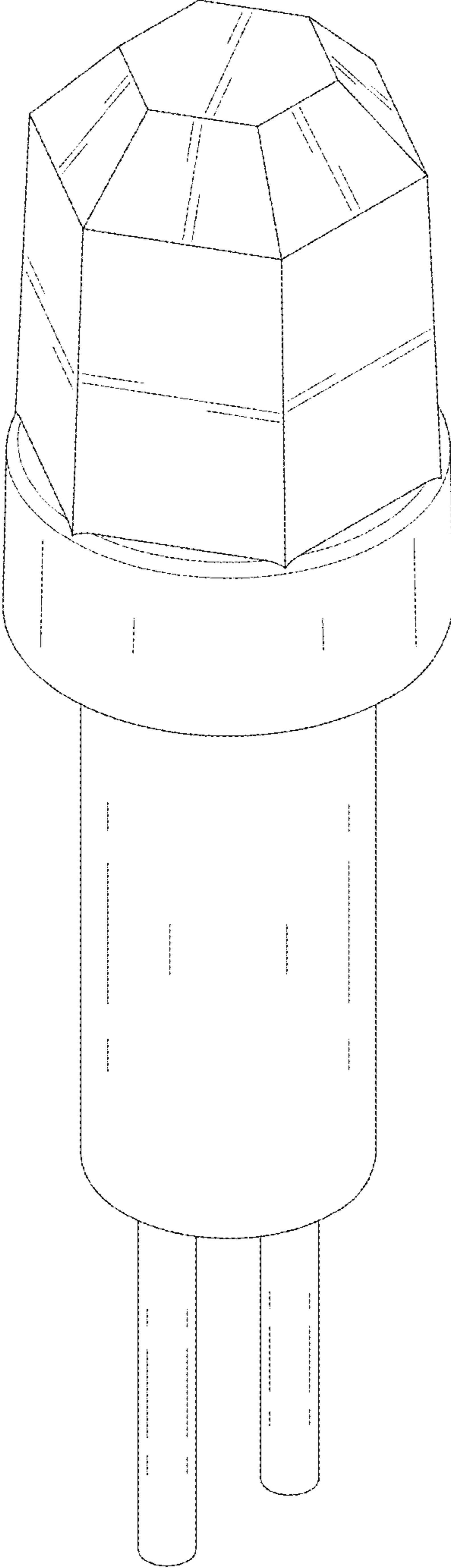


FIG.1

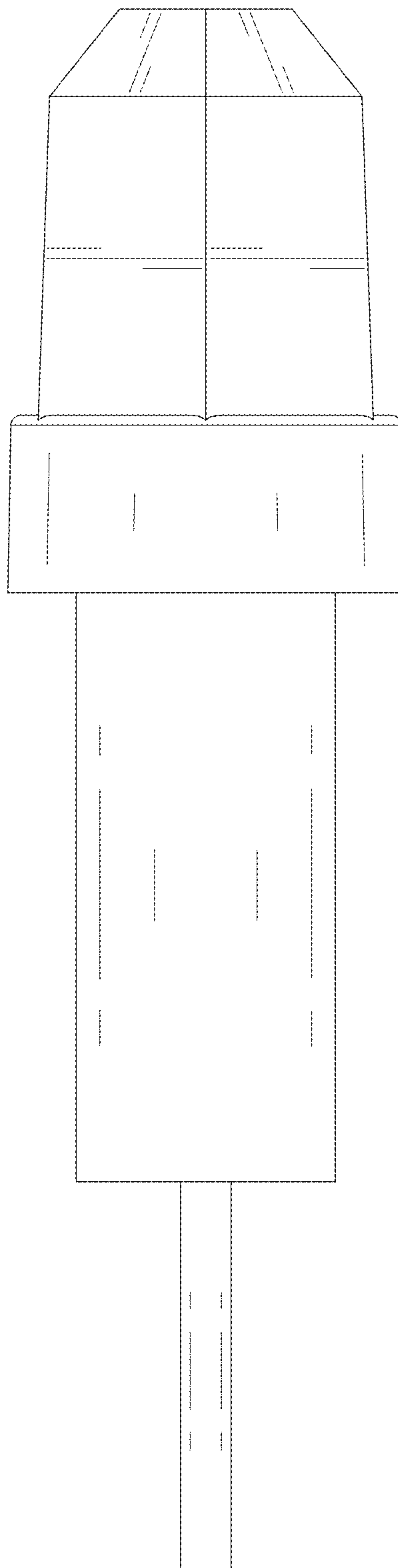


FIG.2

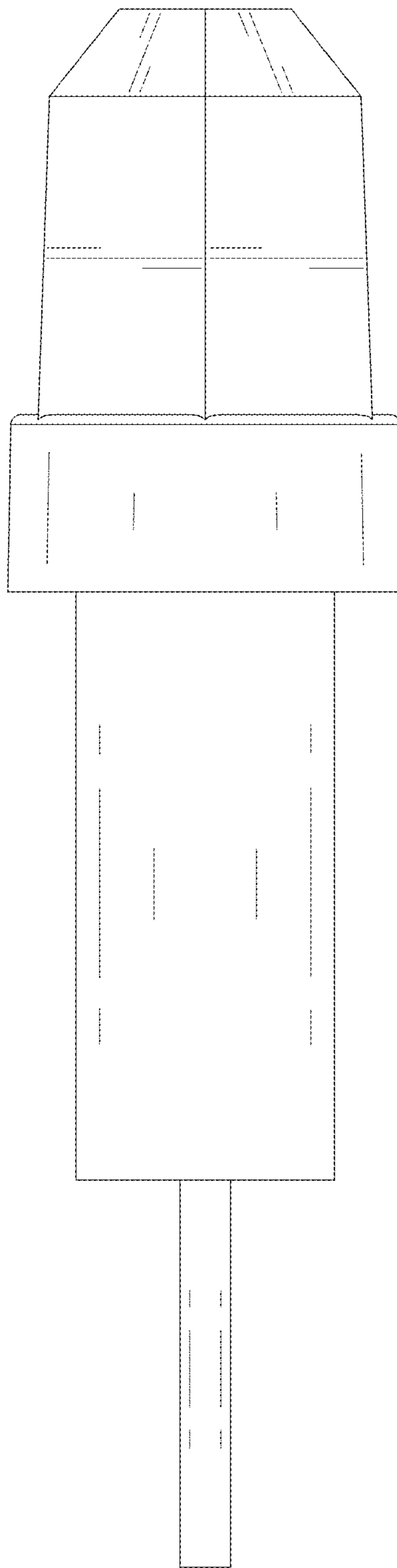


FIG.3

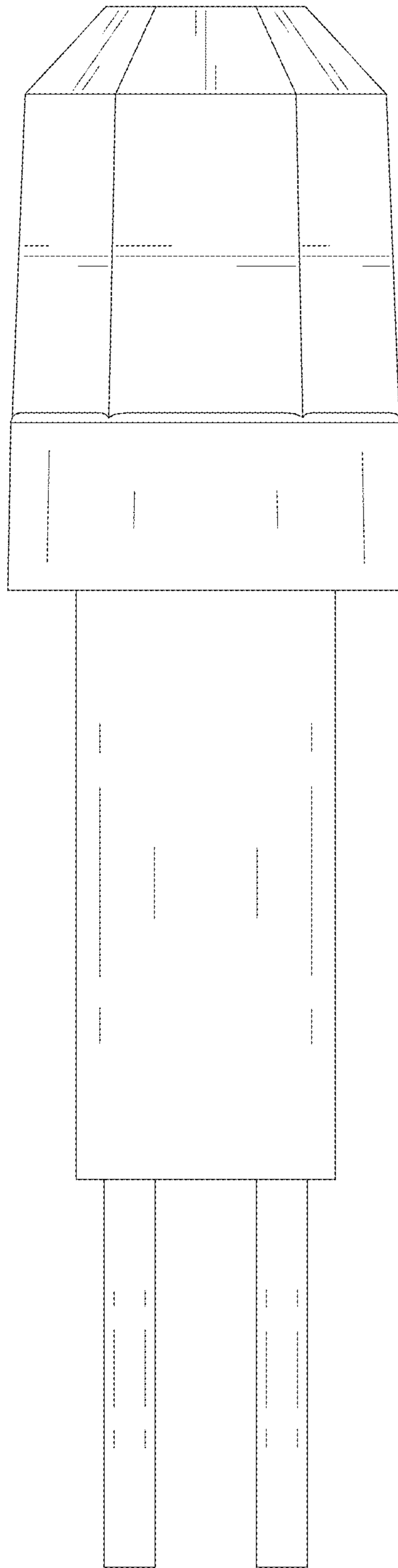


FIG.4

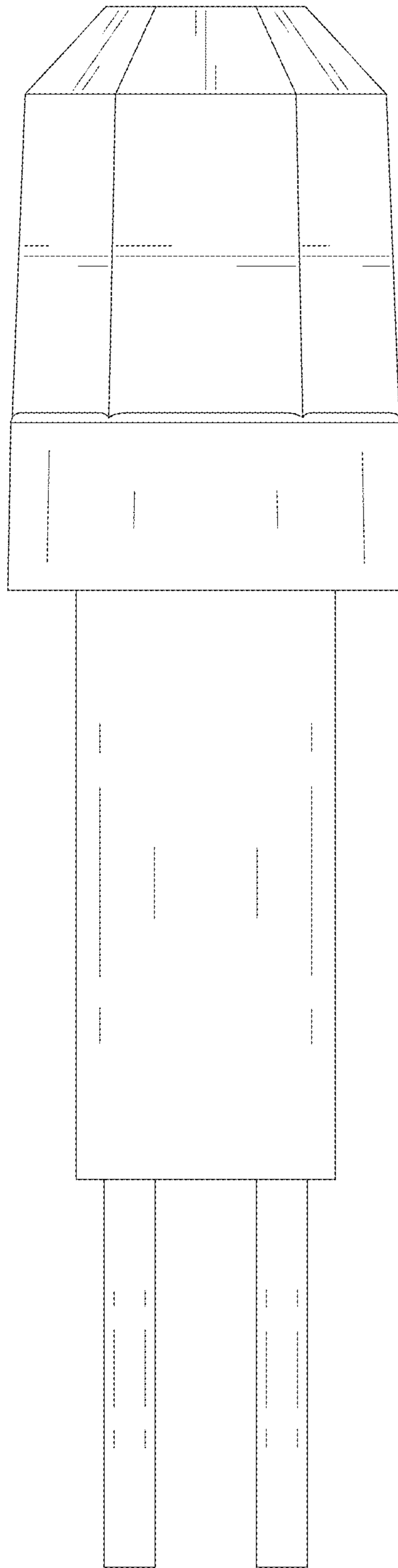


FIG.5

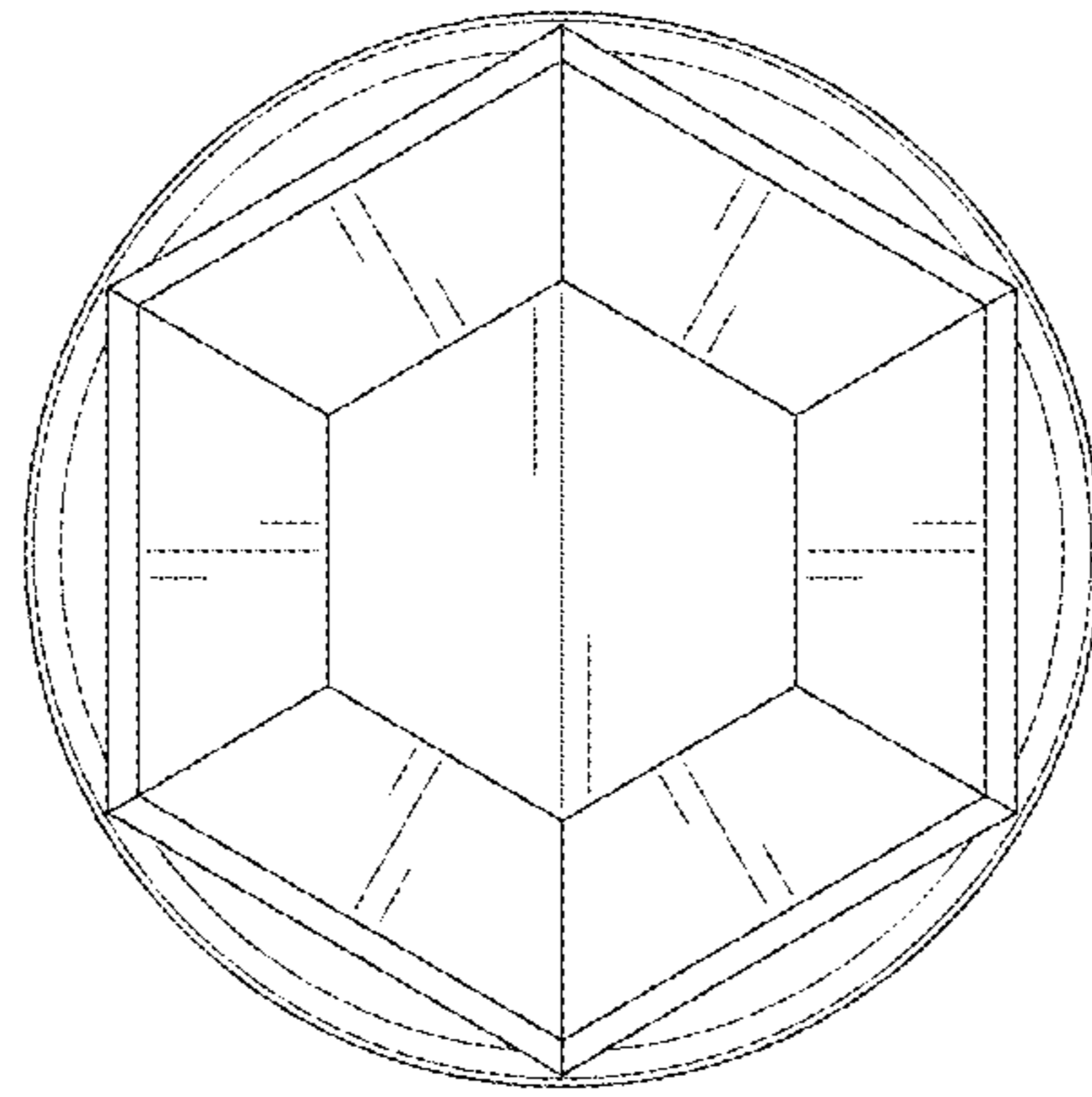


FIG.6

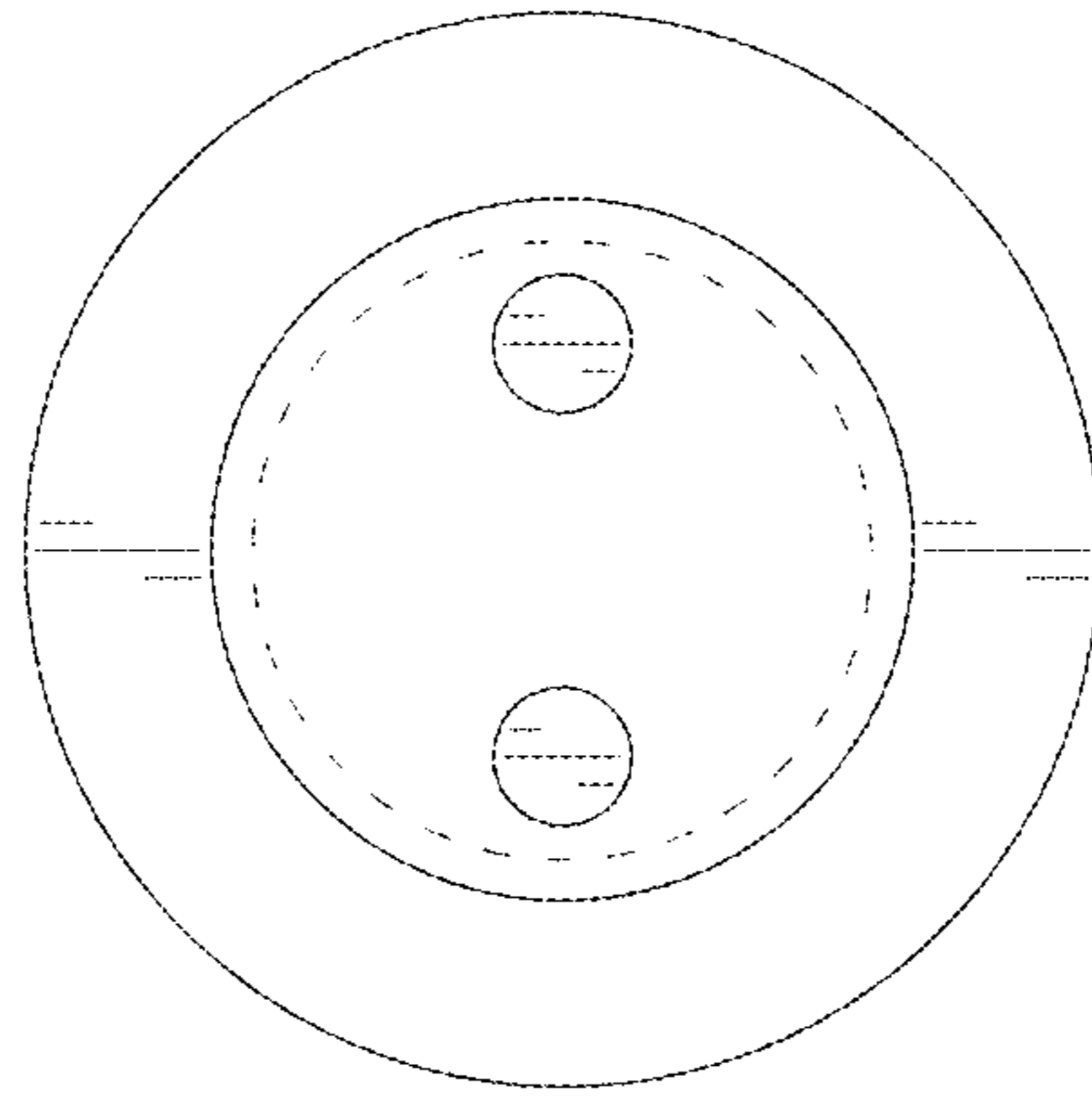


FIG. 7