



US00D935638S

(12) **United States Design Patent** (10) **Patent No.:** **US D935,638 S**  
**Jones et al.** (45) **Date of Patent:** **\*\* Nov. 9, 2021**

(54) **CONTAINER UNIT**  
(71) Applicant: **Takeda Pharmaceutical Company Limited, Osaka (JP)**  
(72) Inventors: **Seth Dale Jones, Round Lake, IL (US); Madeleine Clare Gibson, Madison, WI (US); Daniel Edward Roush, Niles, IL (US)**

3,278,007 A 10/1966 Weber  
3,543,355 A \* 12/1970 Wyckoff ..... A45F 5/00  
211/70.2  
3,589,509 A 6/1971 Mascia et al.  
3,593,873 A 7/1971 Vonk  
3,601,253 A 8/1971 Poupitch  
(Continued)

(73) Assignee: **Takeda Pharmaceutical Company Limited, Osaka (JP)**

CN 201830503853.6 \* 9/2018  
EP 0 495 808 B1 7/1992  
(Continued)

(\*\*) Term: **15 Years**

**OTHER PUBLICATIONS**

(21) Appl. No.: **29/740,759**

International Search Report and Written Opinion dated Jul. 26, 2013 in connection with International Application No. PCT/US2013/036879.

(22) Filed: **Jul. 7, 2020**

(Continued)

**Related U.S. Application Data**

(63) Continuation of application No. 29/665,393, filed on Oct. 3, 2018, now Pat. No. Des. 893,046.

(51) **LOC (13) Cl.** ..... **24-02**

(52) **U.S. Cl.**  
USPC ..... **D24/224; D9/741**

(58) **Field of Classification Search**  
USPC ..... D24/107, 169, 186, 216, 223-230;  
D9/345, 434, 455, 752, 753, 741;  
D3/309, 316

CPC ..... G01N 21/0303; B01L 3/508; A61J 1/2089  
See application file for complete search history.

*Primary Examiner* — Susan Bennett Hattan  
*Assistant Examiner* — Omeed Agilee  
(74) *Attorney, Agent, or Firm* — Wolf, Greenfield & Sacks, P.C.

(57) **CLAIM**

The ornamental design for a container unit, as shown and described.

**DESCRIPTION**

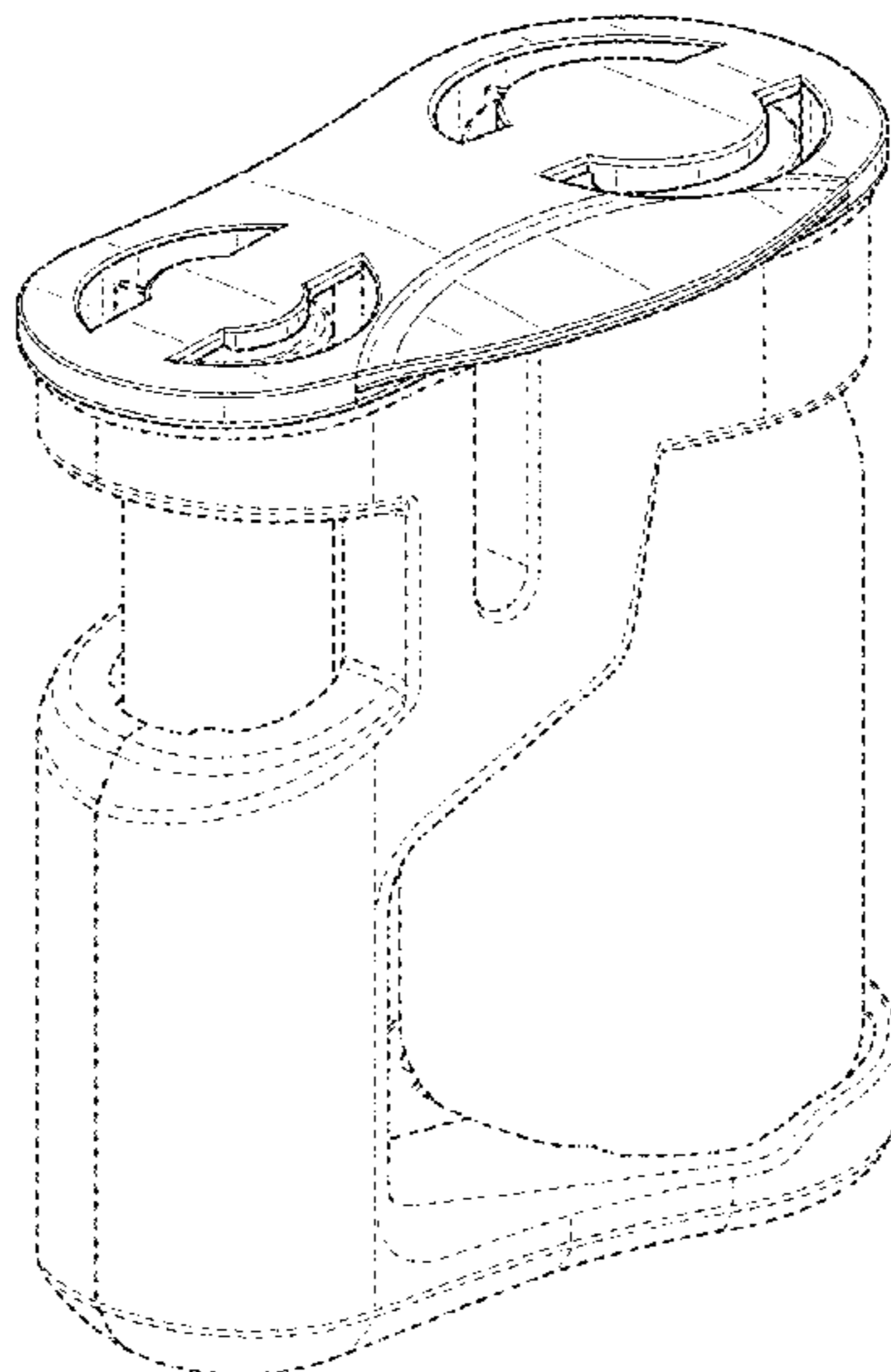
FIG. 1 is a top, front, left side perspective view of a container unit;  
FIG. 2 is a front elevation view thereof;  
FIG. 3 is a rear elevation view thereof;  
FIG. 4 is a left side elevation view thereof;  
FIG. 5 is a right side elevation view thereof; and,  
FIG. 6 is a top plan view thereof.  
The broken lines shown illustrate portions of the container unit that form no part of the claimed design.

(56) **References Cited**

**U.S. PATENT DOCUMENTS**

363,690 A 5/1887 Sleeper  
2,080,947 A 5/1937 Ligeour  
2,399,893 A 5/1946 Scholz  
D159,762 S \* 8/1950 Touhey et al. .... D9/782  
2,754,962 A 7/1956 Scrymgeour  
2,865,669 A 12/1958 Linthicum  
2,949,204 A 8/1960 Edwards

**1 Claim, 6 Drawing Sheets**



(56)

References Cited

U.S. PATENT DOCUMENTS

3,727,749 A 4/1973 Martin  
 3,744,661 A 7/1973 Fischer, Jr.  
 3,876,377 A \* 4/1975 Cinqualbre ..... B01L 3/5085  
 422/408  
 3,893,280 A 7/1975 King  
 4,143,764 A 3/1979 Moss, III  
 4,178,152 A \* 12/1979 Nunogaki ..... G01N 33/50  
 422/72  
 4,262,814 A 4/1981 Roccaforte  
 4,526,756 A \* 7/1985 Wong ..... B01L 9/06  
 206/443  
 D280,932 S \* 10/1985 Green ..... D24/145  
 D283,640 S 4/1986 Grimes  
 4,856,647 A 8/1989 Dahne  
 D306,645 S \* 3/1990 Parker ..... D24/223  
 4,970,053 A \* 11/1990 Fechtner ..... B01L 3/508  
 206/569  
 5,005,721 A 4/1991 Jordan  
 5,009,309 A 4/1991 Hansen  
 5,040,678 A 8/1991 Lenmark, Sr. et al.  
 5,148,919 A 9/1992 Rubin  
 D355,260 S 2/1995 Tomasso  
 5,609,248 A 3/1997 Rohrbough et al.  
 5,725,499 A 3/1998 Silverstein et al.  
 5,954,213 A 9/1999 Gerhart et al.  
 6,000,548 A 12/1999 Tsals  
 6,102,233 A 8/2000 Waugh  
 6,164,450 A 12/2000 Benedetti  
 6,213,529 B1 4/2001 Kurcz et al.  
 6,305,541 B1 10/2001 Tanner et al.  
 D457,949 S \* 5/2002 Krug ..... D24/111  
 6,558,628 B1 5/2003 Reo  
 6,613,283 B2 9/2003 Reo  
 6,789,828 B1 9/2004 Borg  
 6,929,474 B2 8/2005 Schenck et al.  
 7,468,049 B2 12/2008 Laveault  
 D620,603 S 7/2010 Talmer et al.  
 D632,802 S 2/2011 Salinas et al.  
 D645,973 S 9/2011 Hoenes  
 8,684,433 B2 4/2014 Oesterle et al.  
 D769,456 S 10/2016 Dulaff

D778,460 S 2/2017 Marechal et al.  
 D847,634 S 5/2019 Hatakeyama  
 D847,974 S 5/2019 McNall et al.  
 D865,993 S \* 11/2019 Trump ..... D24/224  
 D886,611 S 6/2020 Jones et al.  
 D890,358 S \* 7/2020 Jones ..... D24/224  
 D893,046 S \* 8/2020 Jones ..... D24/224  
 D902,428 S \* 11/2020 Klintstedt ..... D24/223  
 2005/0045495 A1 3/2005 Dalsing et al.  
 2005/0175338 A1 8/2005 Ide et al.  
 2007/0267378 A1 11/2007 Piccinino et al.  
 2007/0278245 A1 12/2007 Brooks et al.  
 2009/0099547 A1 4/2009 Radmer  
 2012/0029464 A1 2/2012 Kragelund et al.  
 2013/0284735 A1 10/2013 Oesterle et al.  
 2014/0021076 A1 \* 1/2014 Soma ..... A61J 1/2089  
 206/219  
 2016/0266156 A1 9/2016 Brennan et al.  
 2017/0020784 A1 1/2017 Schweiss et al.  
 2020/0170884 A1 \* 6/2020 Tashjian ..... A61J 1/2048  
 2021/0172923 A1 \* 6/2021 Kaufman ..... G01N 33/84

FOREIGN PATENT DOCUMENTS

EP 0 631 816 A1 1/1995  
 EP 0 734 963 B1 10/1996  
 FR 2 085 307 A1 12/1971  
 FR 2 715 131 A1 7/1995  
 JP 08-324571 A 12/1996  
 JP D2016-11117 5/2016  
 TW 455382 9/2001  
 TW D194378 12/2018  
 WO WO 93/01739 A1 2/1993  
 WO WO 1996/032917 A1 10/1996  
 WO WO 2009/083347 A1 7/2009

OTHER PUBLICATIONS

International International Preliminary Report on Patentability dated Nov. 6, 2014 in connection with PCT/US2013/036879. Tractor S.C. Online. Published date unknown. Retrieved on Jan. 9, 2020 from URL: [https://en.wikipedia.org/wiki/Tractor\\_S.C.](https://en.wikipedia.org/wiki/Tractor_S.C.)

\* cited by examiner

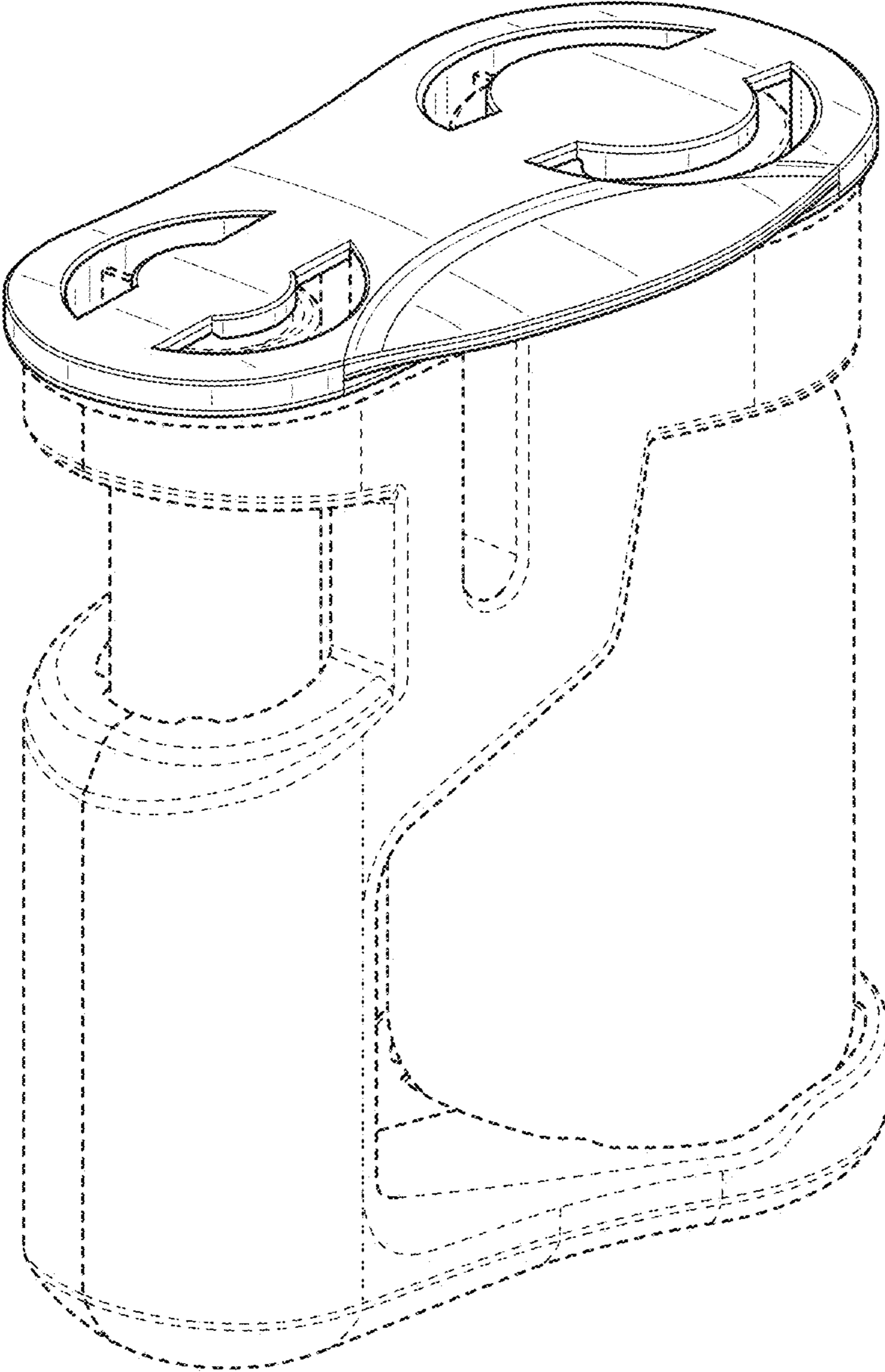


FIG. 1

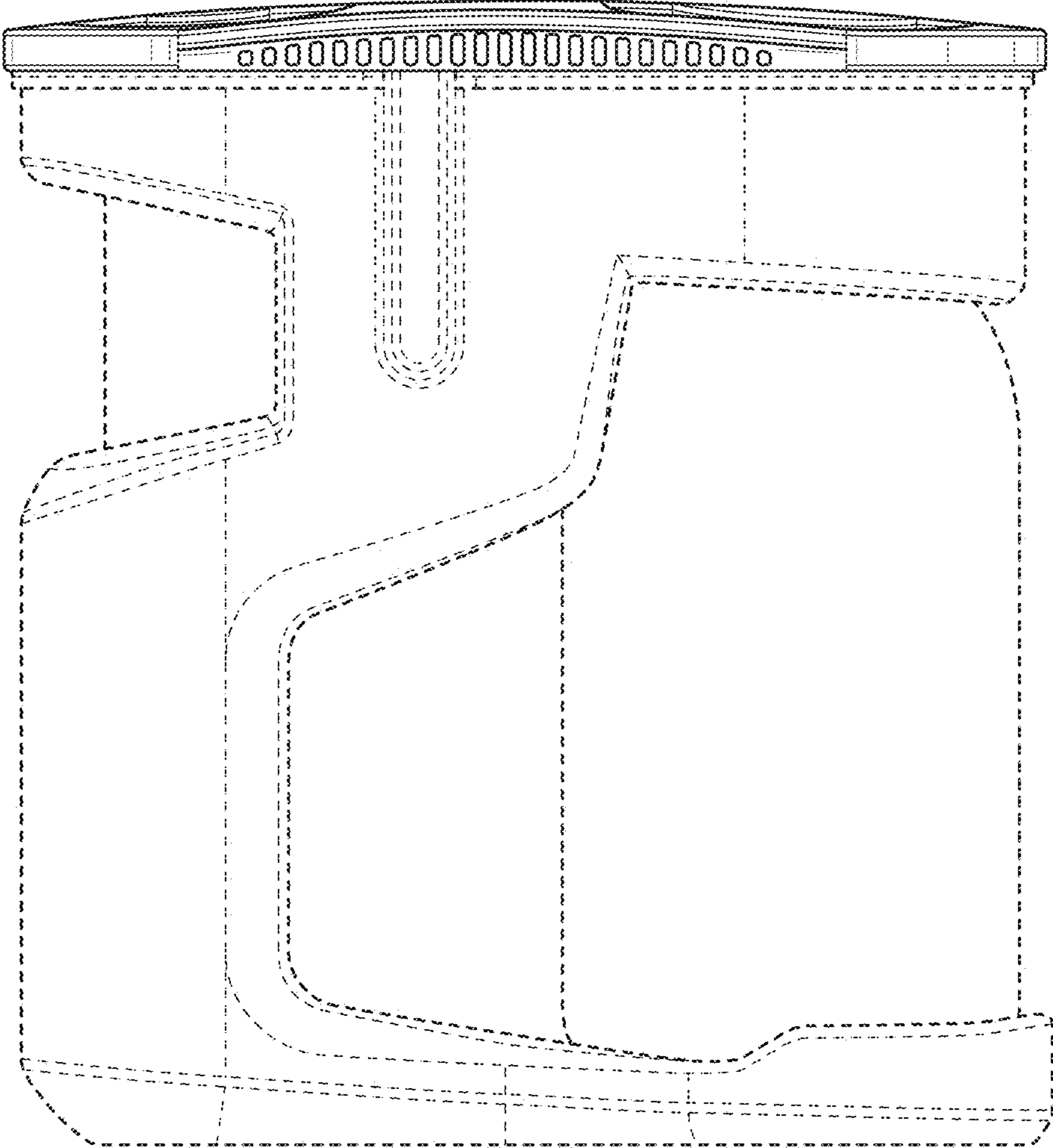


FIG. 2

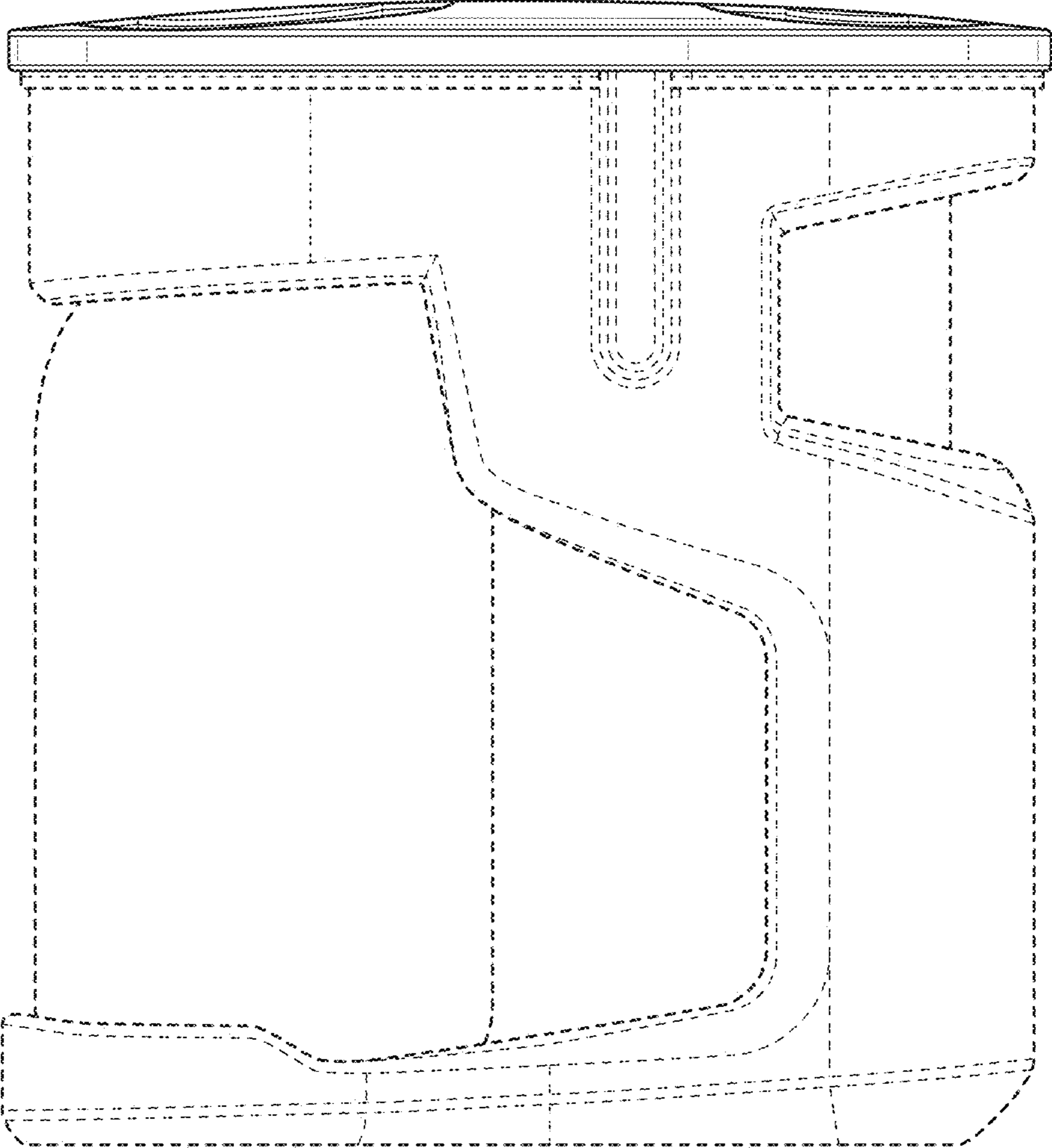


FIG. 3

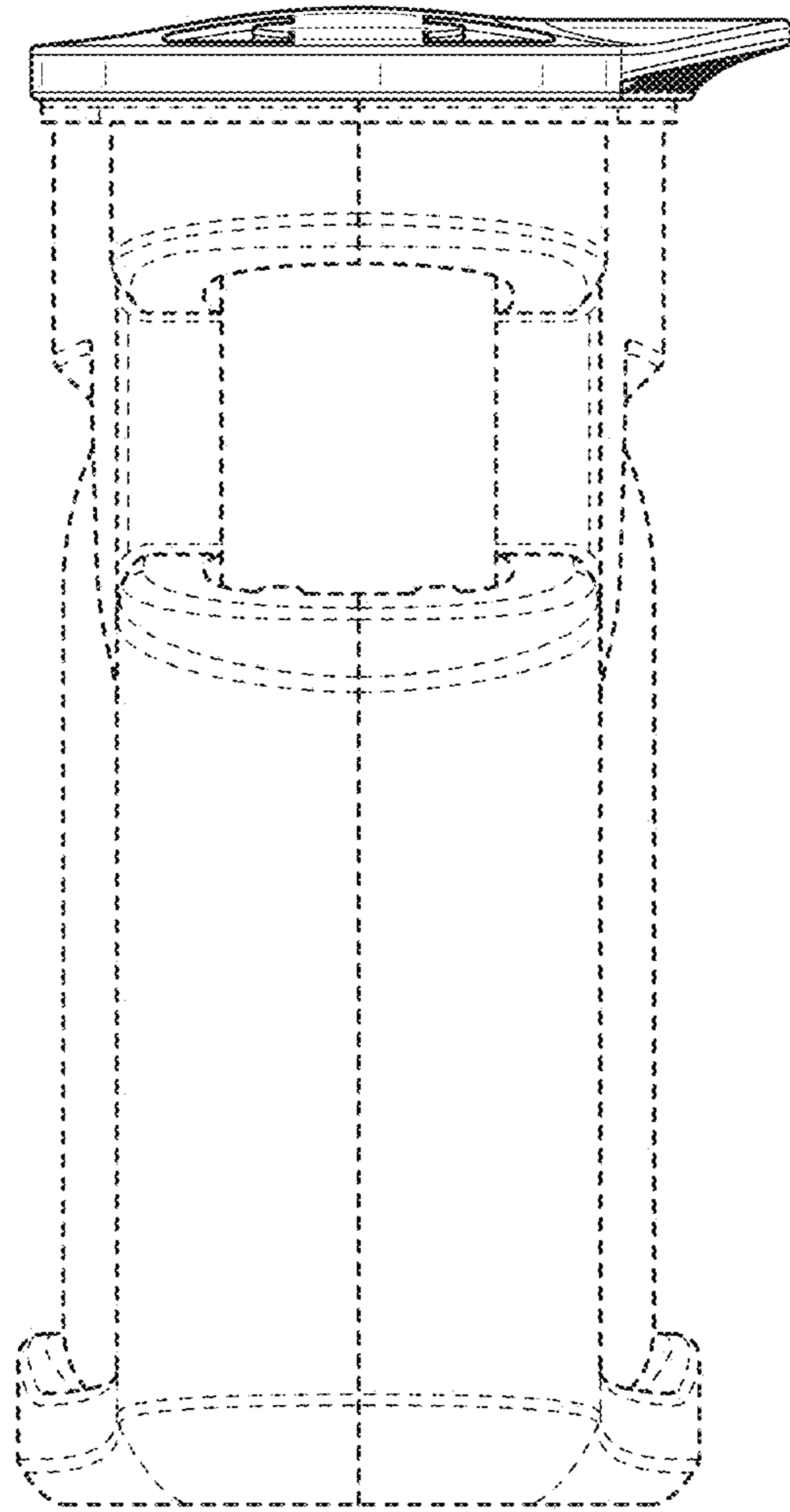


FIG. 4

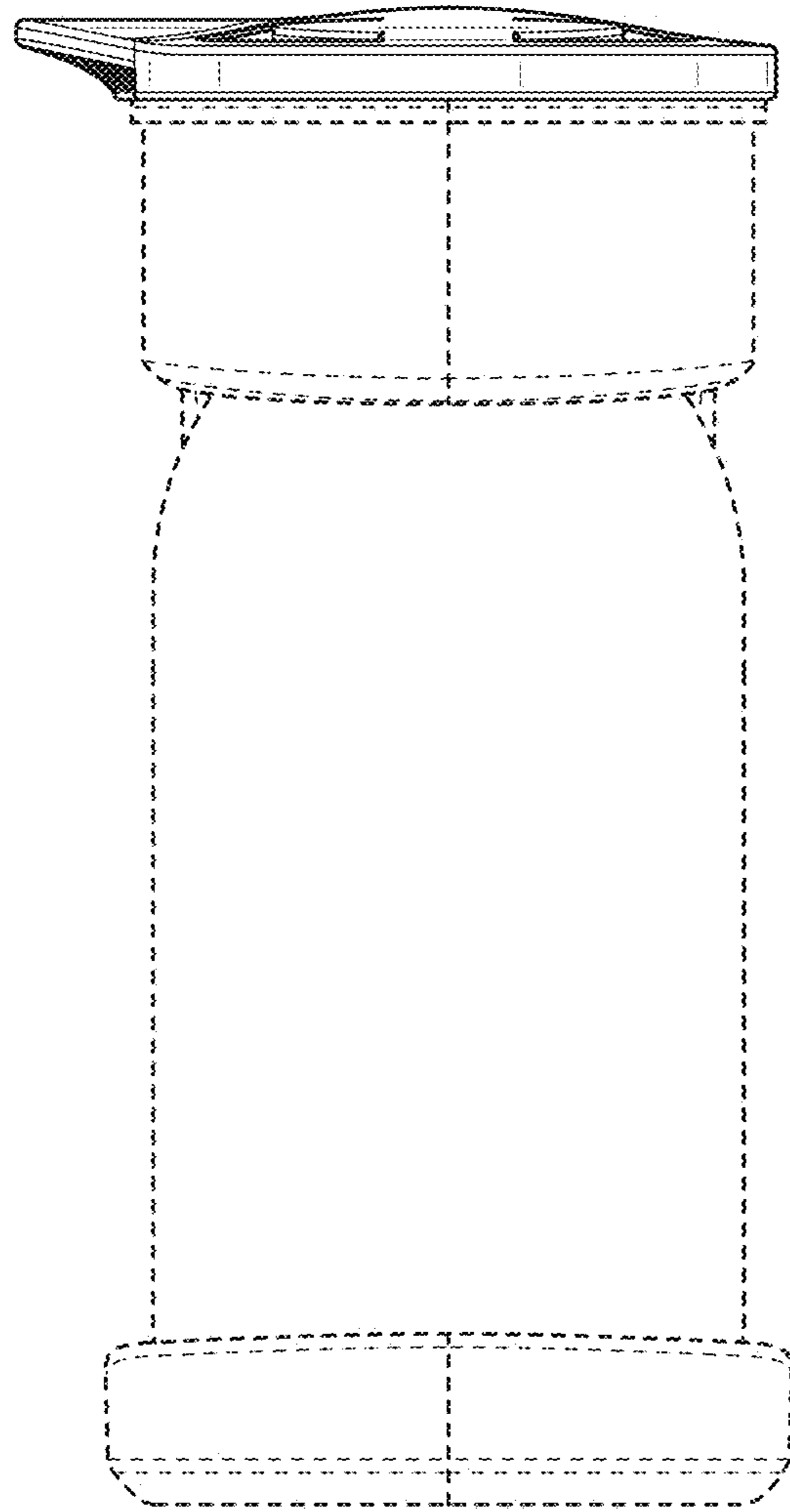


FIG. 5

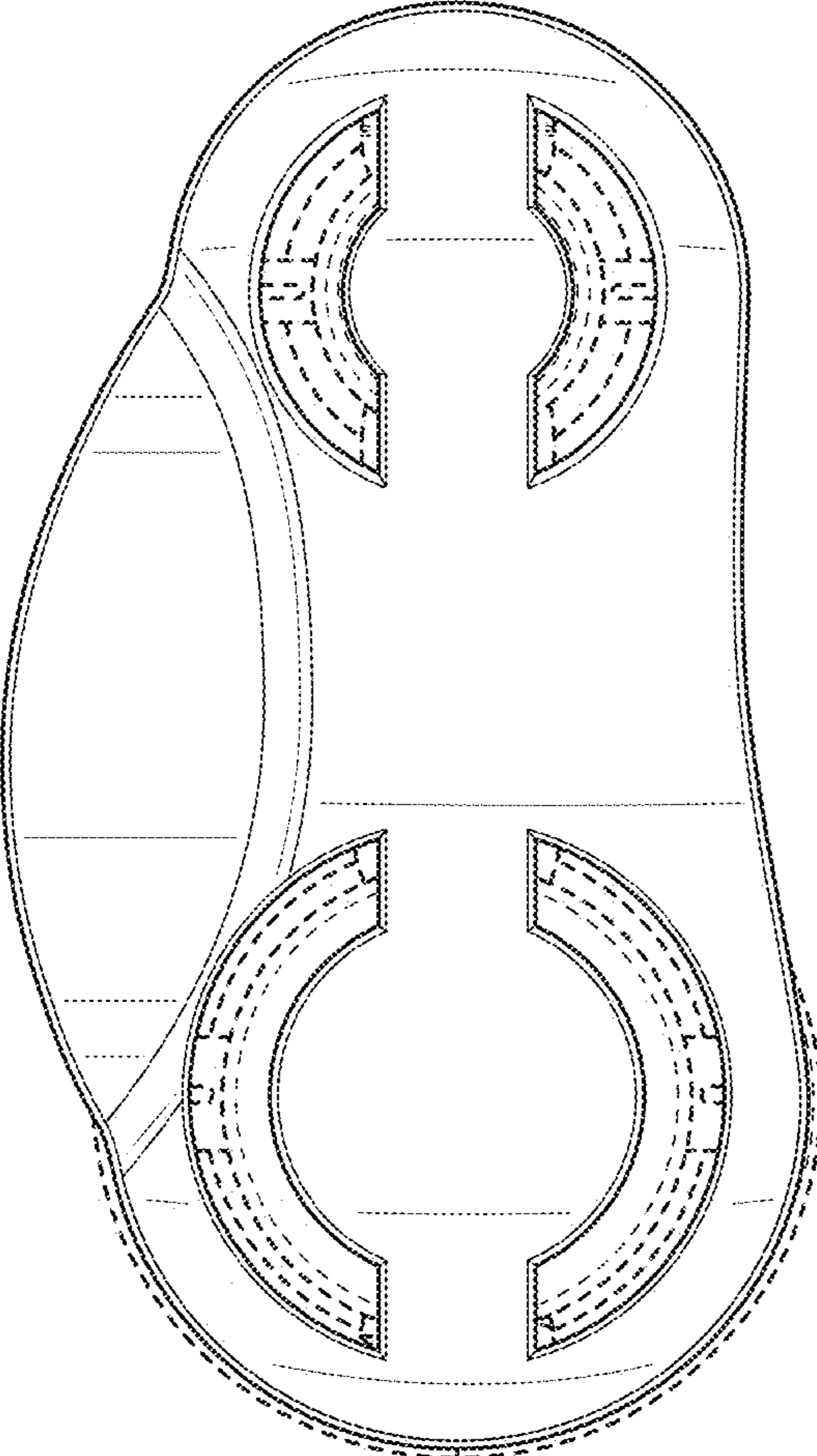


FIG. 6