



US00D935636S

(12) **United States Design Patent**
Luo

(10) **Patent No.:** **US D935,636 S**

(45) **Date of Patent:** **** Nov. 9, 2021**

(54) **MESSAGE DEVICE**

(71) Applicant: **Rechar Inc**, Strasburg, CO (US)

(72) Inventor: **Likang Luo**, Strasburg, CO (US)

(73) Assignee: **Rechar Inc**, Strasburg, CO (US)

(**) Term: **15 Years**

(21) Appl. No.: **29/763,744**

(22) Filed: **Dec. 23, 2020**

(51) **LOC (13) Cl.** **28-03**

(52) **U.S. Cl.**
USPC **D24/215**

(58) **Field of Classification Search**
USPC D24/200, 211, 212, 213, 214, 215;
D8/14.1; D28/13

CPC . A61H 2201/1635; A61H 23/006; A61H 1/00
See application file for complete search history.

(56) **References Cited**

U.S. PATENT DOCUMENTS

D616,558 S *	5/2010	Tsai	D24/200
D847,364 S *	4/2019	Lee	D24/215
10,314,762 B1 *	6/2019	Marton	A61H 23/006
D855,822 S *	8/2019	Marton	D24/215
D863,571 S *	10/2019	Yang	D24/200
D866,790 S *	11/2019	Lee	D24/215
D873,432 S *	1/2020	Duan	D24/214
D874,015 S	1/2020	Marton et al.		
D880,714 S	4/2020	Wersland et al.		
D884,205 S *	5/2020	Zhuang	D24/215
D884,207 S *	5/2020	Ma	D24/215
D886,317 S *	6/2020	Marton	D24/215
D895,132 S *	9/2020	Hu	D24/215
D895,133 S *	9/2020	Xu	D24/215
D895,135 S *	9/2020	Xu	D24/215
D895,829 S *	9/2020	Hu	D24/215
D895,831 S *	9/2020	Chen	D24/215

D898,209 S *	10/2020	Xu	D24/214
D898,933 S *	10/2020	Xu	D24/215
D899,620 S *	10/2020	Huang	D24/215
D905,863 S *	12/2020	Lin	D24/215
D906,533 S *	12/2020	Xu	D24/215
D907,229 S *	1/2021	Zhang	D24/215
D907,230 S *	1/2021	Zhang	D24/215
D908,908 S *	1/2021	Xu	D24/215
D910,194 S *	2/2021	Radtke	D24/215
D911,535 S *	2/2021	Yu	D24/200
D912,267 S *	3/2021	Tang	D24/215
D913,516 S *	3/2021	Zhang	D24/215
D913,517 S *	3/2021	Yu	D24/215
D916,307 S *	4/2021	Xiong	D24/215
D917,060 S *	4/2021	Hu	D24/215
2016/0338899 A1 *	11/2016	Howson	A61H 7/001
2019/0254921 A1 *	8/2019	Marton	A61H 23/006
2020/0085675 A1 *	3/2020	Lee	A61H 1/00
2020/0390644 A1 *	12/2020	Yang	G16H 20/30
2021/0113427 A1 *	4/2021	Liu	A61H 23/0254

* cited by examiner

Primary Examiner — Cynthia Ramirez

Assistant Examiner — Michael A Maharajh

(74) *Attorney, Agent, or Firm* — ScienBiziP, P.C.

(57) **CLAIM**

The ornamental design for a massage device, as shown and described.

DESCRIPTION

FIG. 1 is a front, left, and top perspective view of a massage device, showing my design.

FIG. 2 is a front elevation view thereof.

FIG. 3 is a rear elevation view thereof.

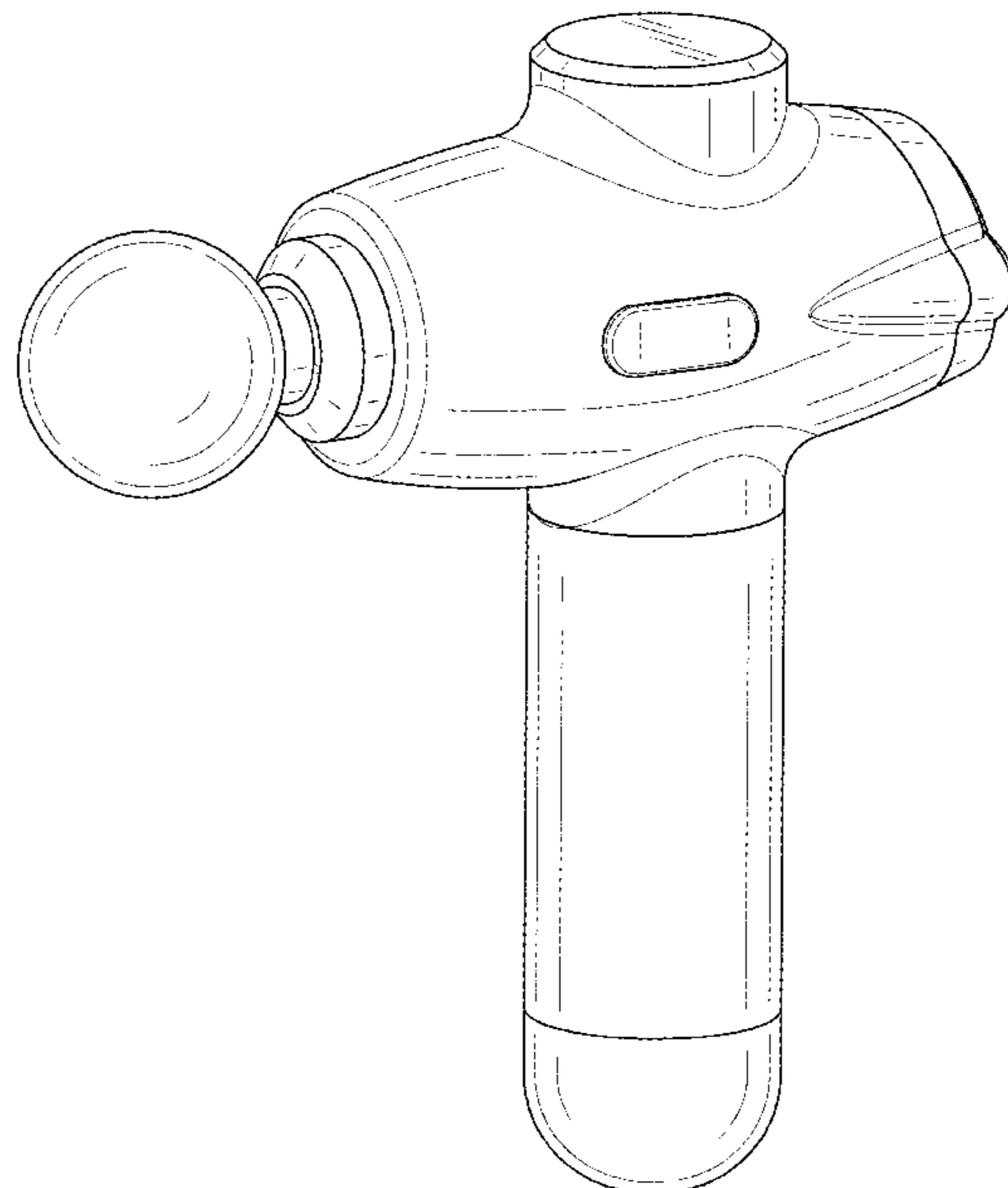
FIG. 4 is a left side elevation view thereof.

FIG. 5 is a right side elevation view thereof.

FIG. 6 is a top plan view thereof; and,

FIG. 7 is a bottom plan view thereof.

1 Claim, 7 Drawing Sheets



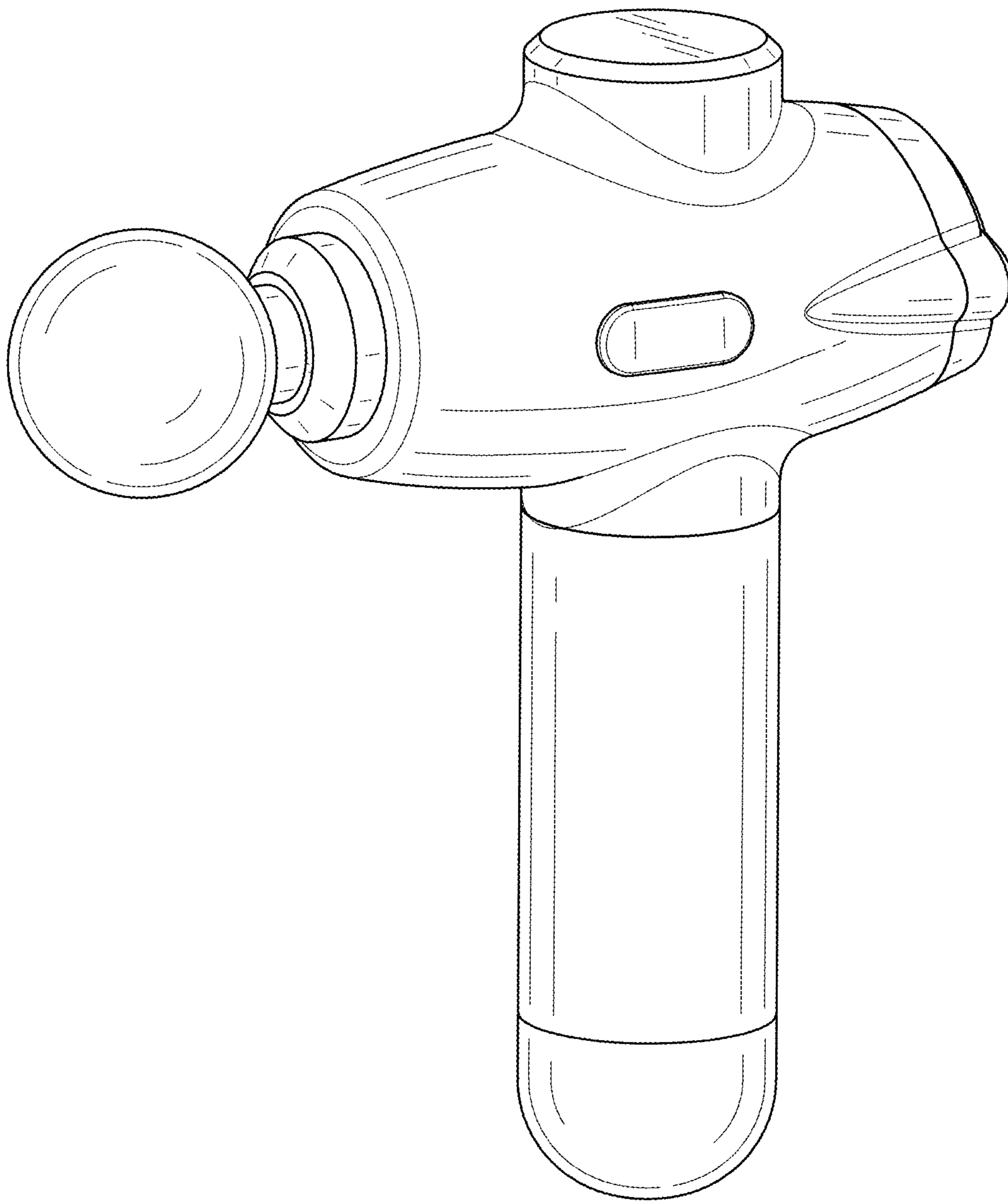


FIG.1

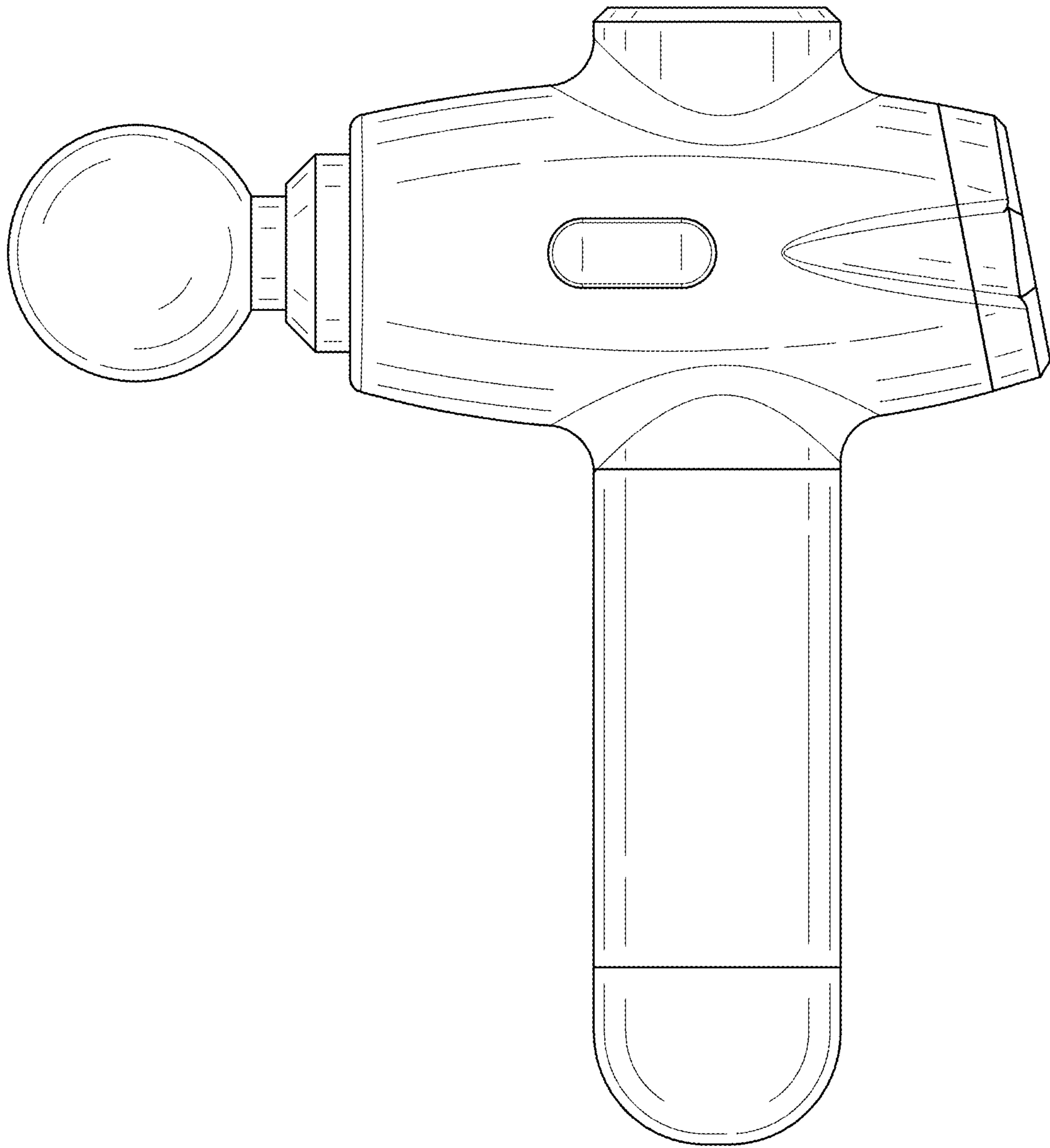


FIG.2

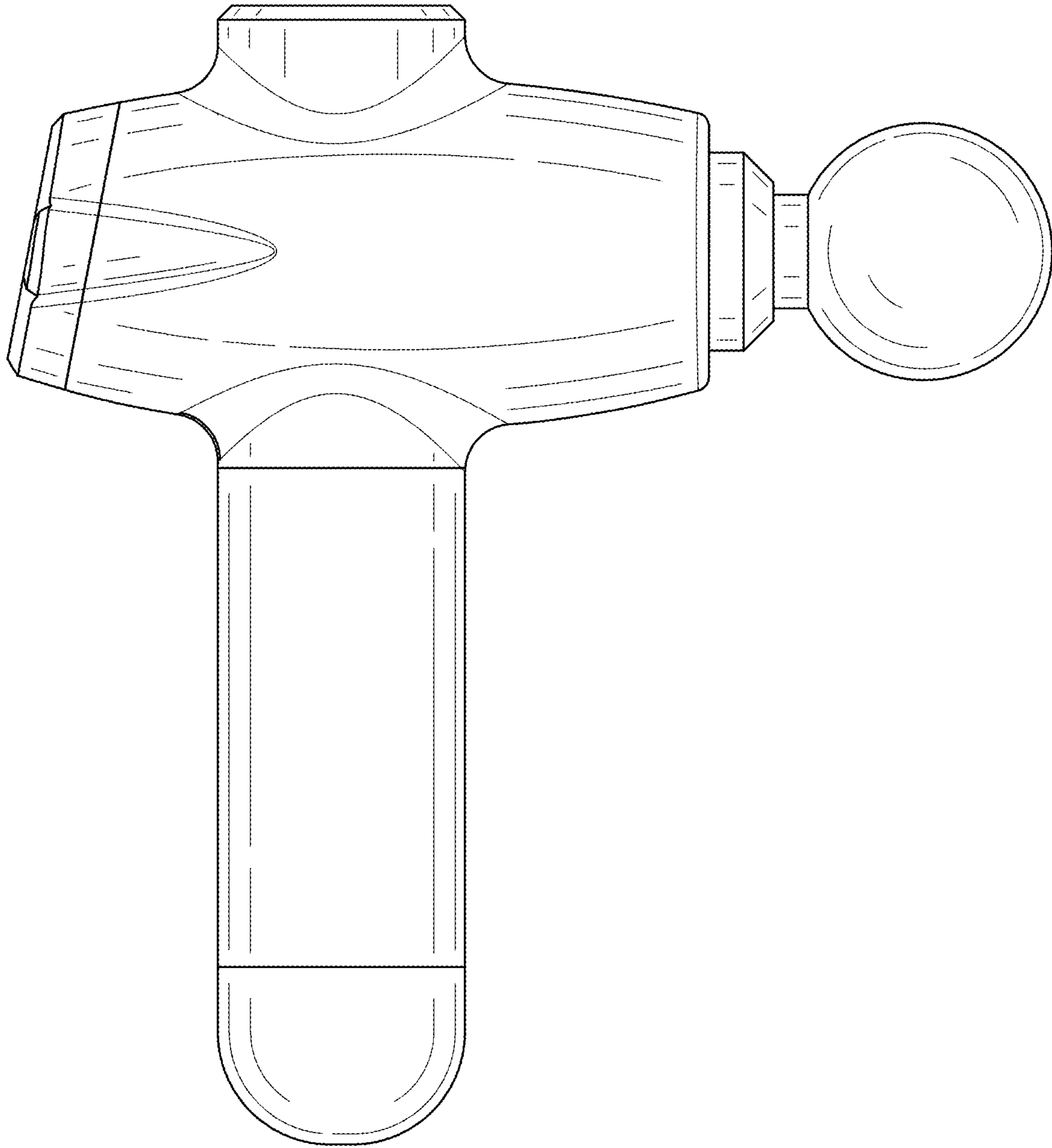


FIG.3

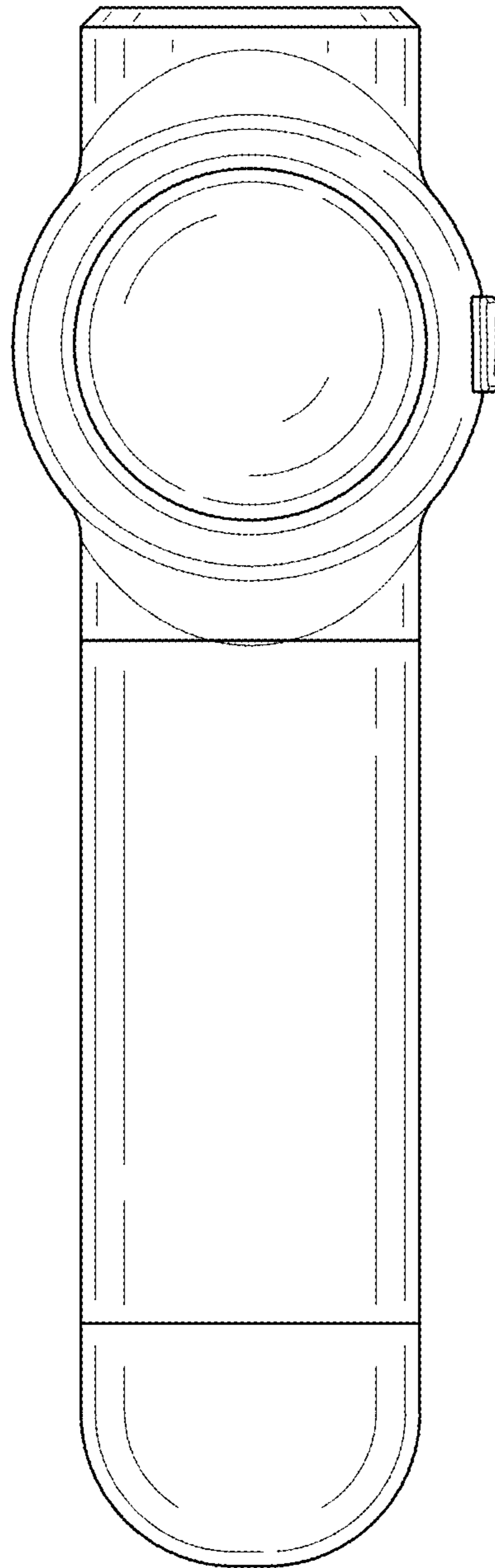


FIG.4

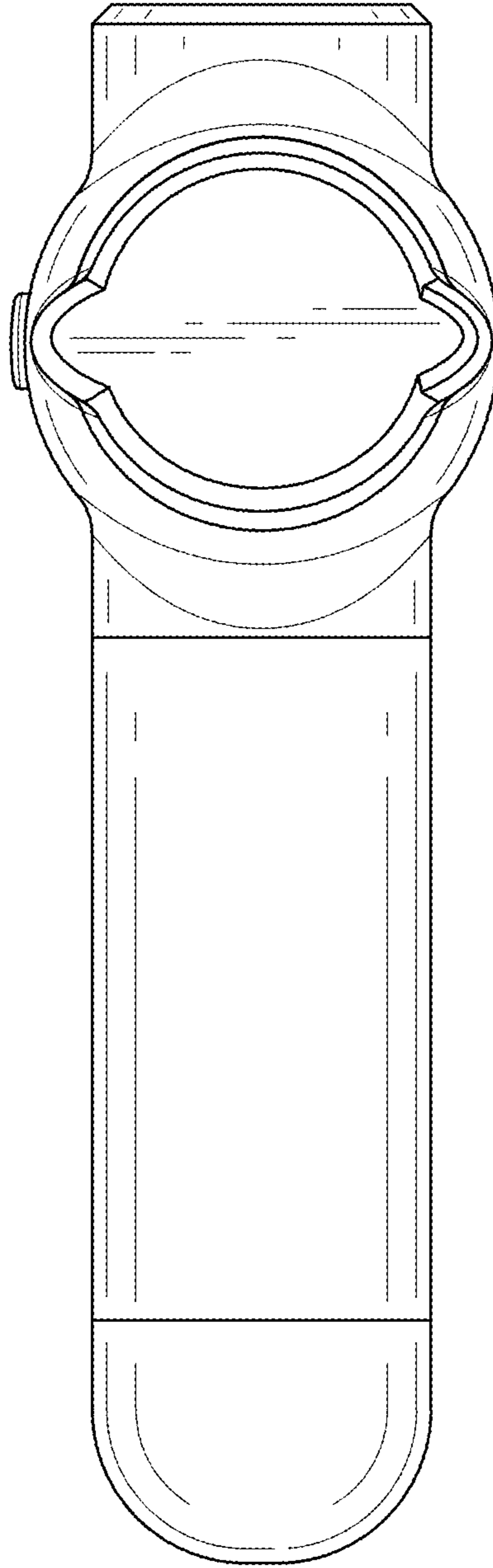


FIG.5

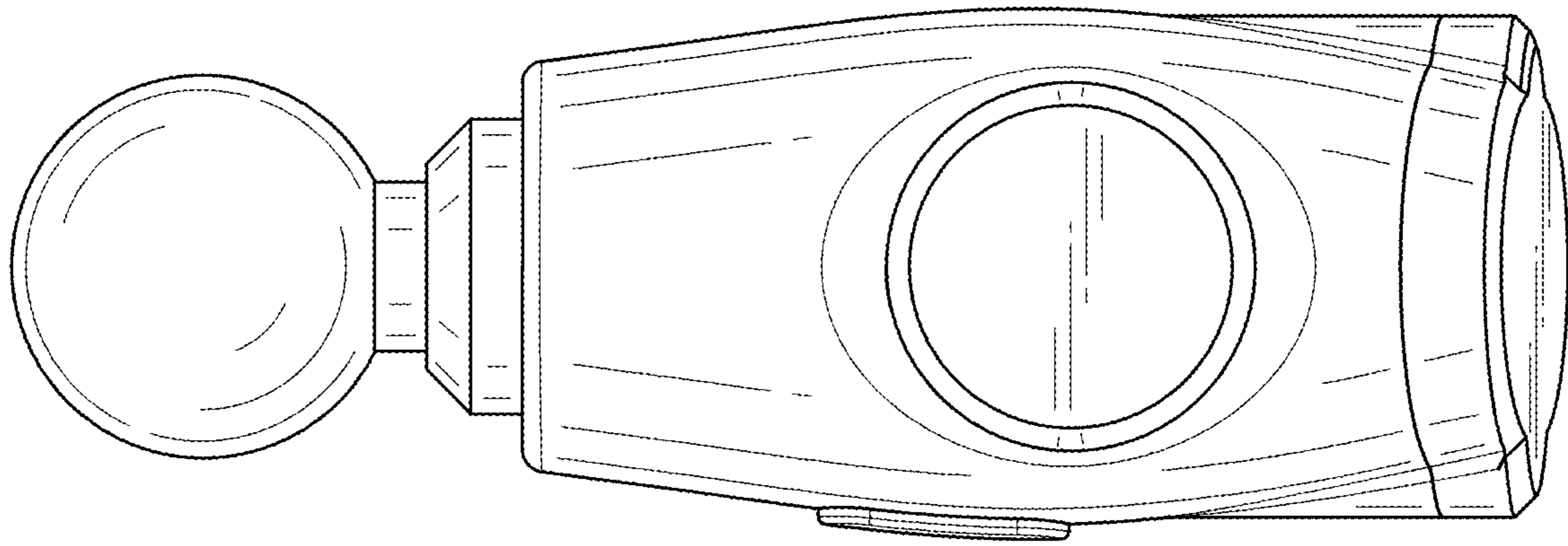


FIG.6

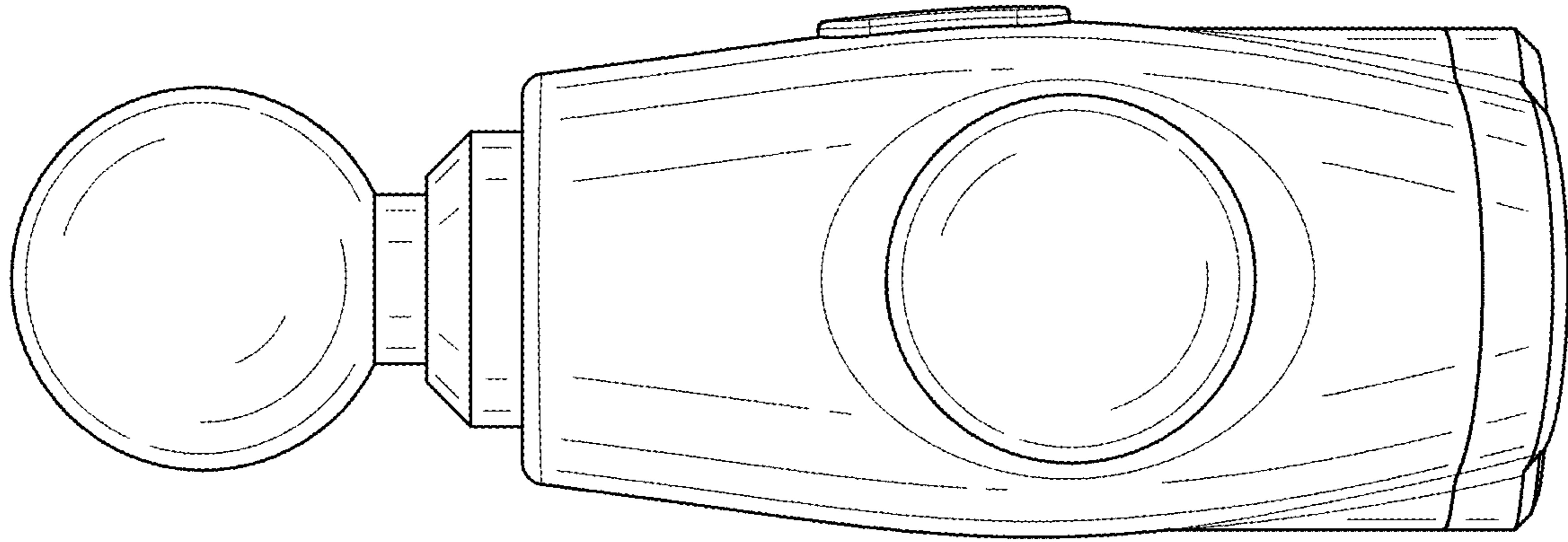


FIG. 7