



US00D935634S

(12) **United States Design Patent** (10) **Patent No.:** **US D935,634 S**
Lee et al. (45) **Date of Patent:** **** Nov. 9, 2021**

(54) **SKIN TREATMENT APPARATUS**
(71) Applicant: **LG ELECTRONICS INC.**, Seoul (KR)
(72) Inventors: **Gayeong Lee**, Seoul (KR); **Sooyoung Park**, Seoul (KR); **Sunha Park**, Seoul (KR); **Sanghoon Yoon**, Seoul (KR)
(73) Assignee: **LG ELECTRONICS INC.**, Seoul (KR)
(**) Term: **15 Years**
(21) Appl. No.: **35/509,036**
(22) Filed: **Oct. 10, 2019**

(80) **Hague Agreement Data**
Int. Filing Date: **Oct. 10, 2019**
Int. Reg. No.: **DM/204794**
Int. Reg. Date: **Oct. 10, 2019**
Int. Reg. Pub. Date: **Apr. 10, 2020**
(30) **Foreign Application Priority Data**
Apr. 22, 2019 (KR) 30-2019-0018770
(51) **LOC (13) Cl.** **28-03**
(52) **U.S. Cl.**
USPC **D24/209**
(58) **Field of Classification Search**
USPC D24/209, 200, 191, 110.3; D2/878, 892;
D29/102; D13/168; D21/566; D14/218;
D10/106.1
CPC A61M 2037/0007; A61M 37/0092
See application file for complete search history.

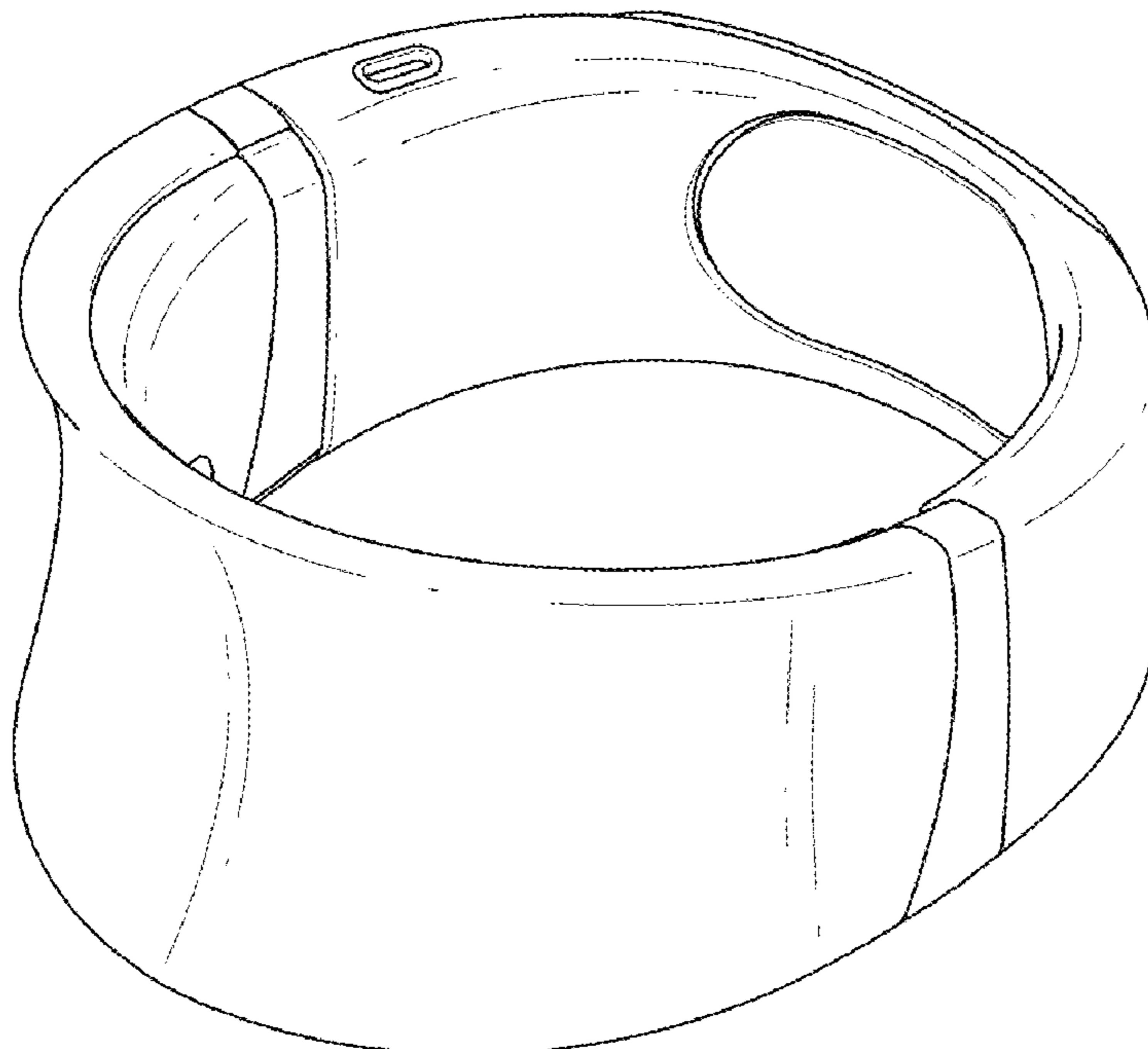
(56) **References Cited**
U.S. PATENT DOCUMENTS
D765,244 S * 8/2016 Jones D24/133
D798,842 S * 10/2017 Kass D14/218
D846,131 S * 4/2019 Cain D24/191
D897,549 S * 9/2020 Park D24/209
D897,550 S * 9/2020 Park D24/209

* cited by examiner
Primary Examiner — Eliza Z Bennett-Hattan
(74) *Attorney, Agent, or Firm* — Birch, Stewart, Kolasch & Birch, LLP

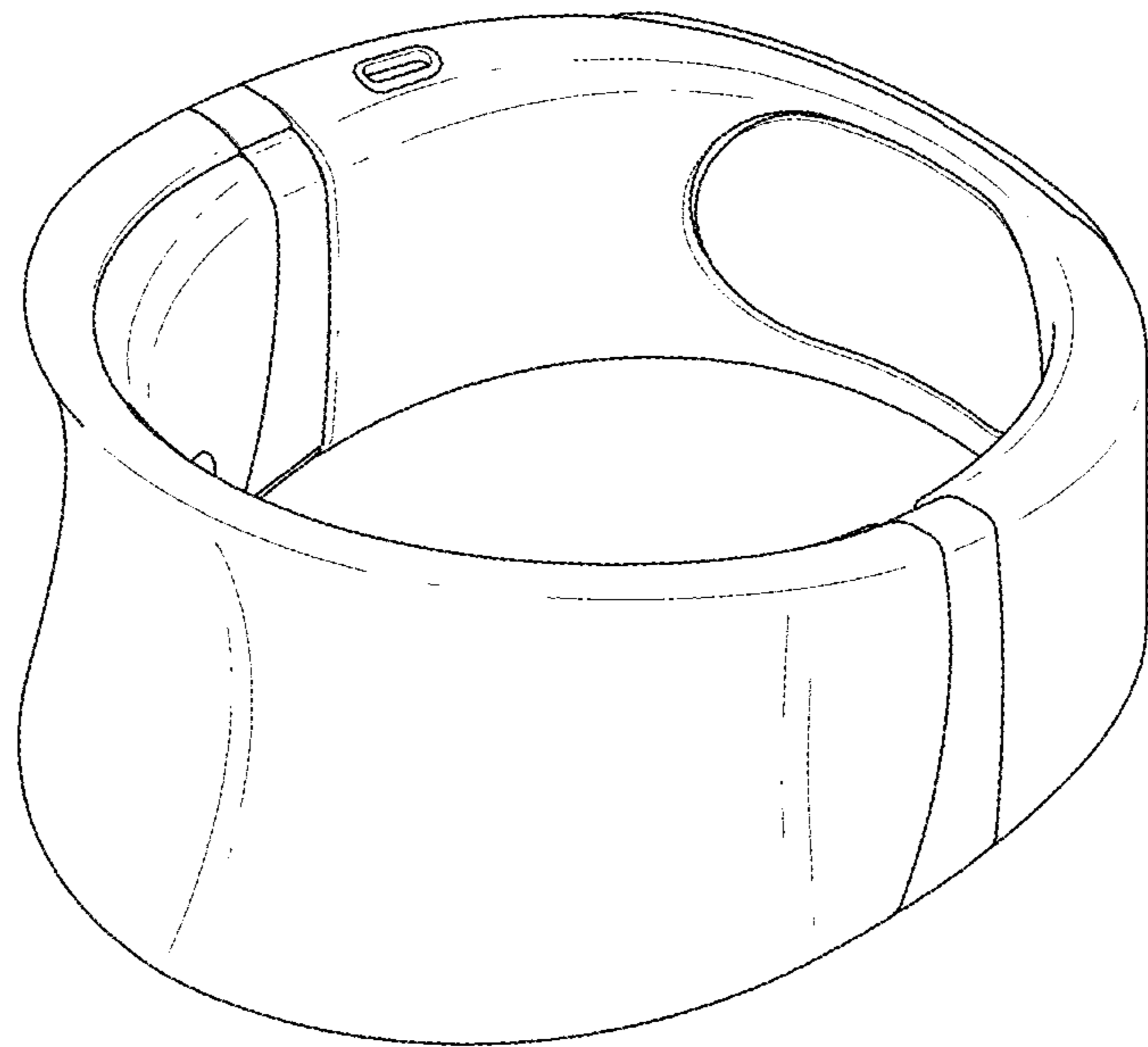
(57) **CLAIM**
The ornamental design for a skin treatment apparatus, as shown and described.

DESCRIPTION
1. Skin treatment apparatus
1.1 : Perspective
1.2 : Front
1.3 : Back
1.4 : Left
1.5 : Right
1.6 : Top
1.7 : Bottom
1.8 : Perspective view disclosing the claim in an environment of use
The broken lines shown in reproductions 1.3 and 1.7 depict portions of the skin treatment apparatus that form no part of the claimed design. The additional broken lines in reproduction 1.8 are unclaimed environment and form no part of the claimed design.

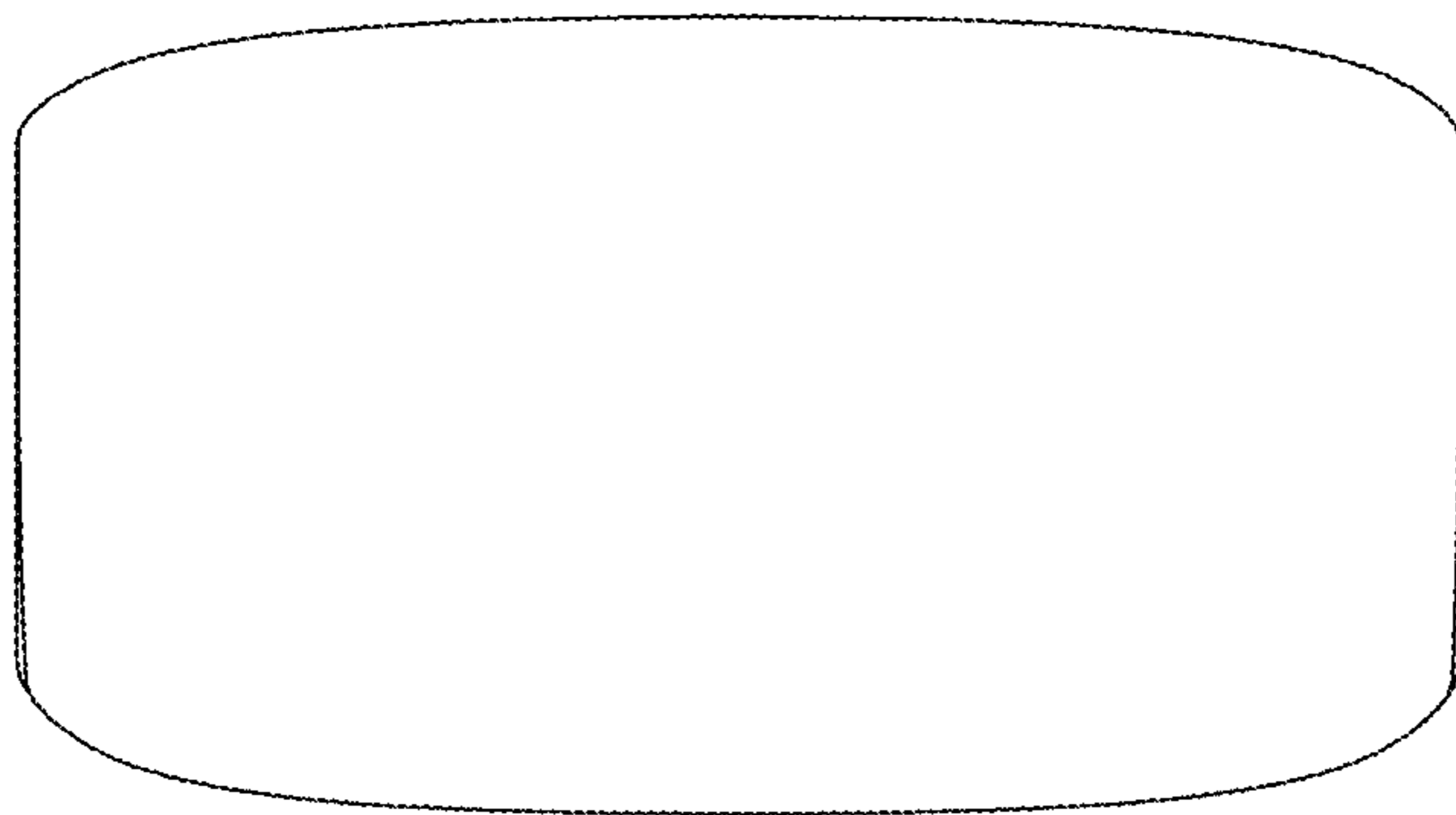
1 Claim, 8 Drawing Sheets



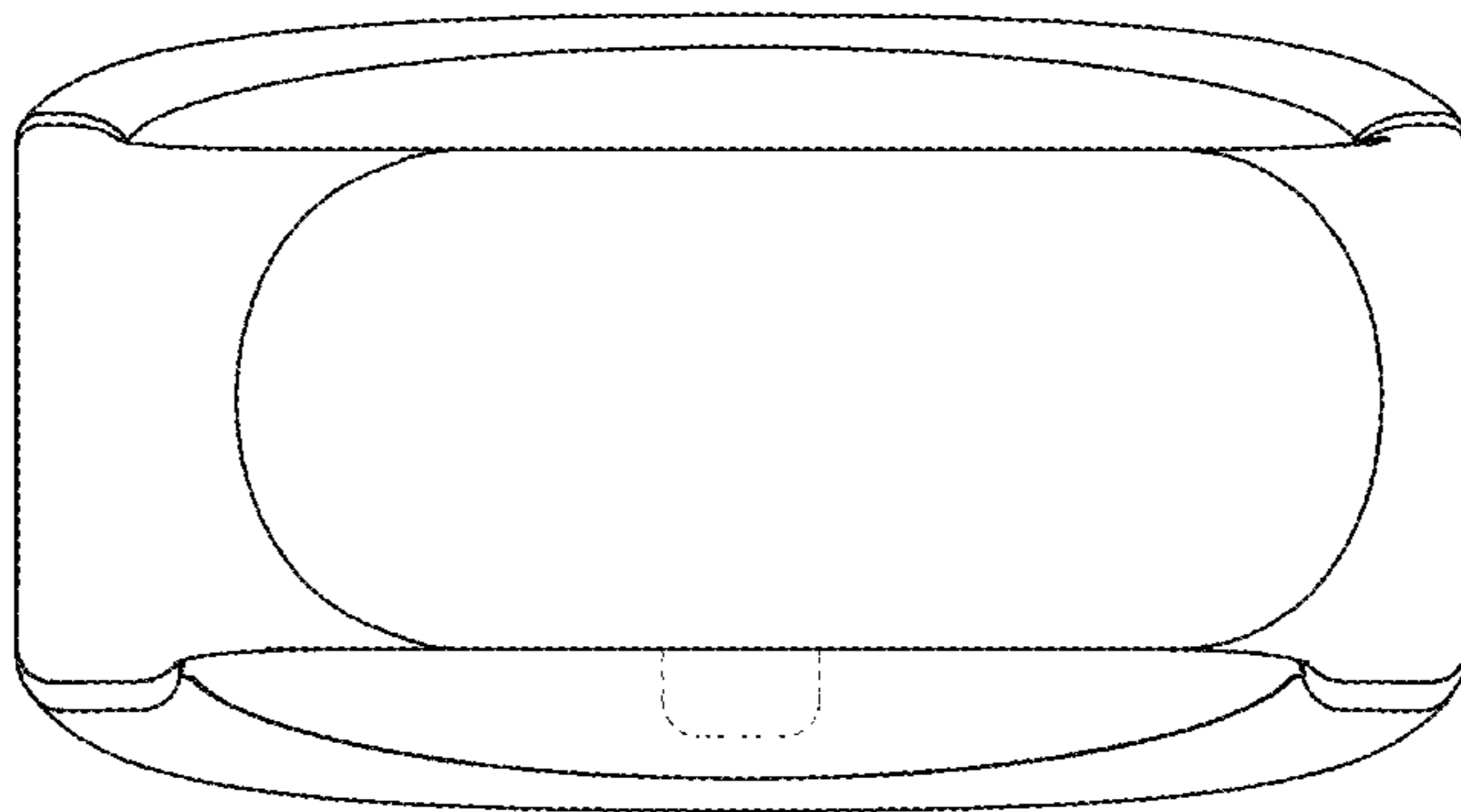
1.1



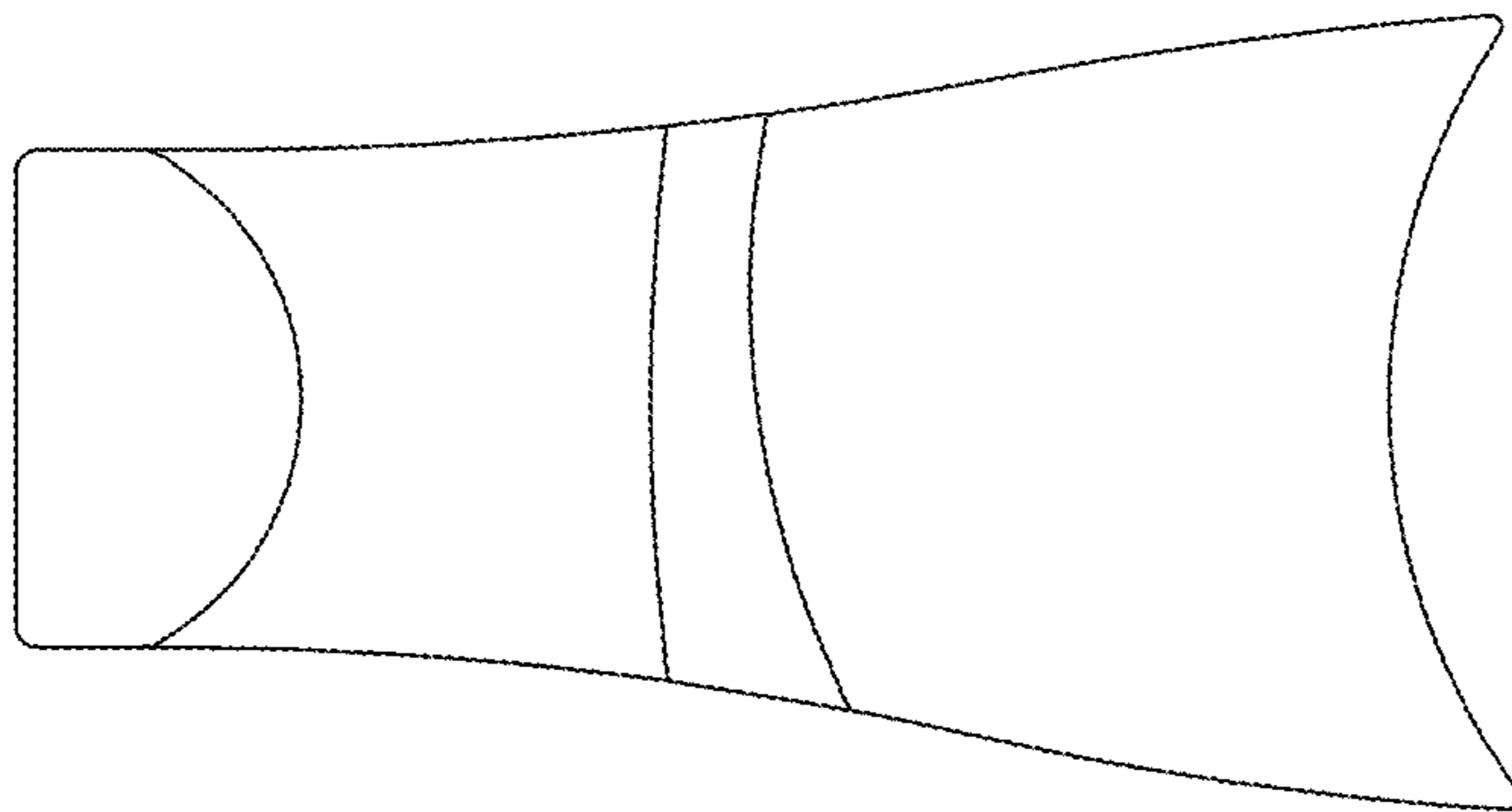
1.2



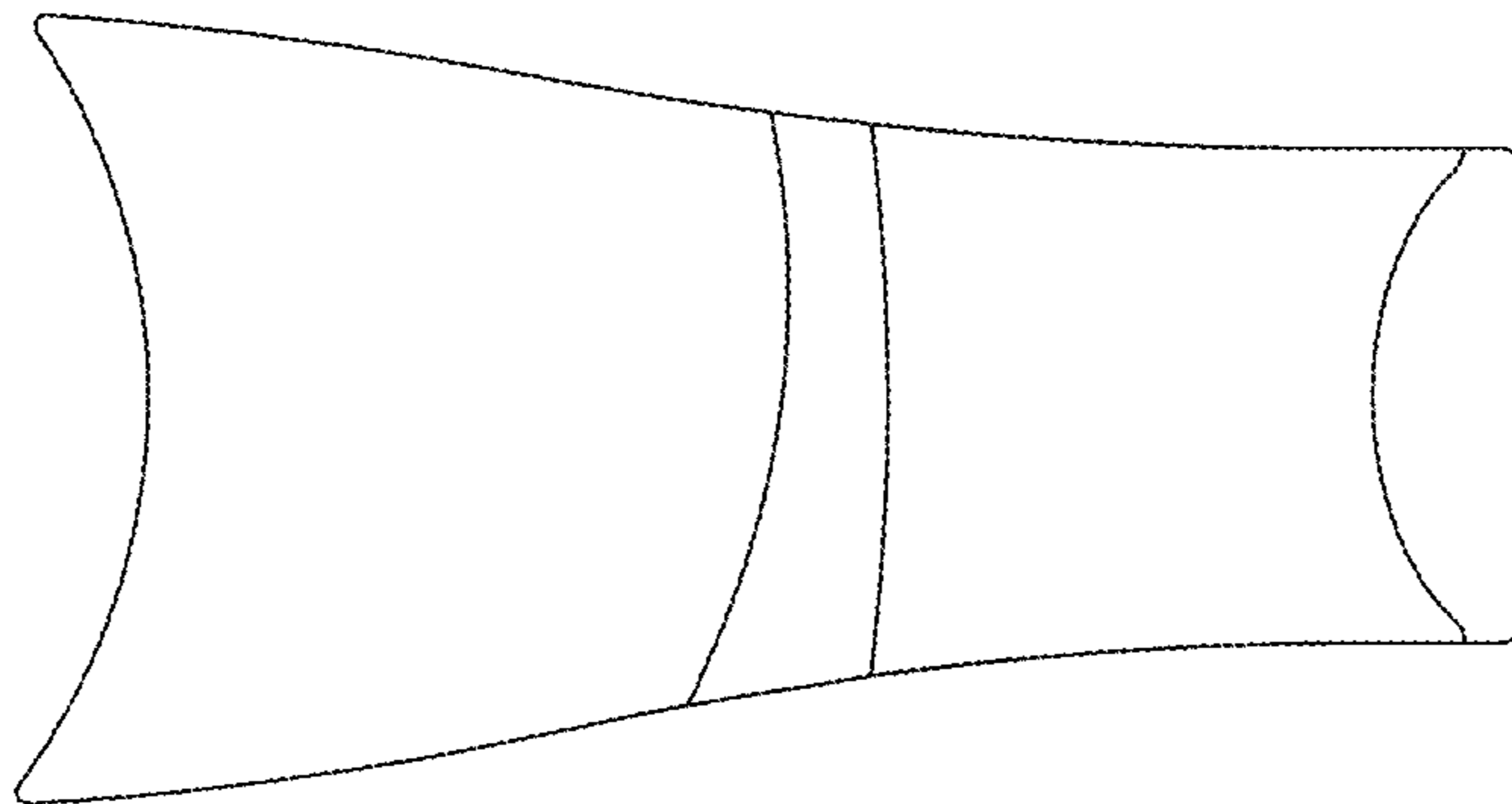
1.3



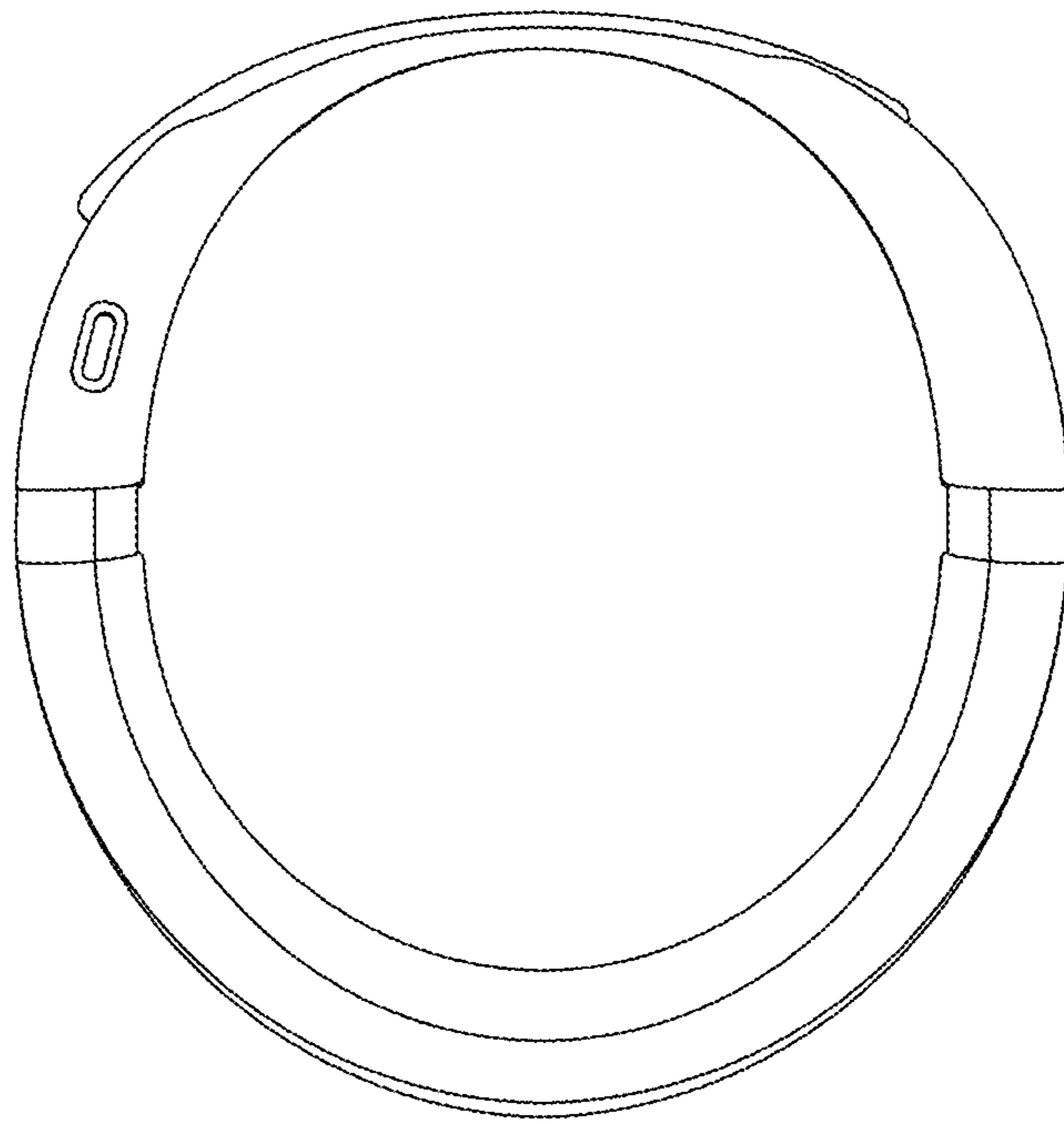
1.4



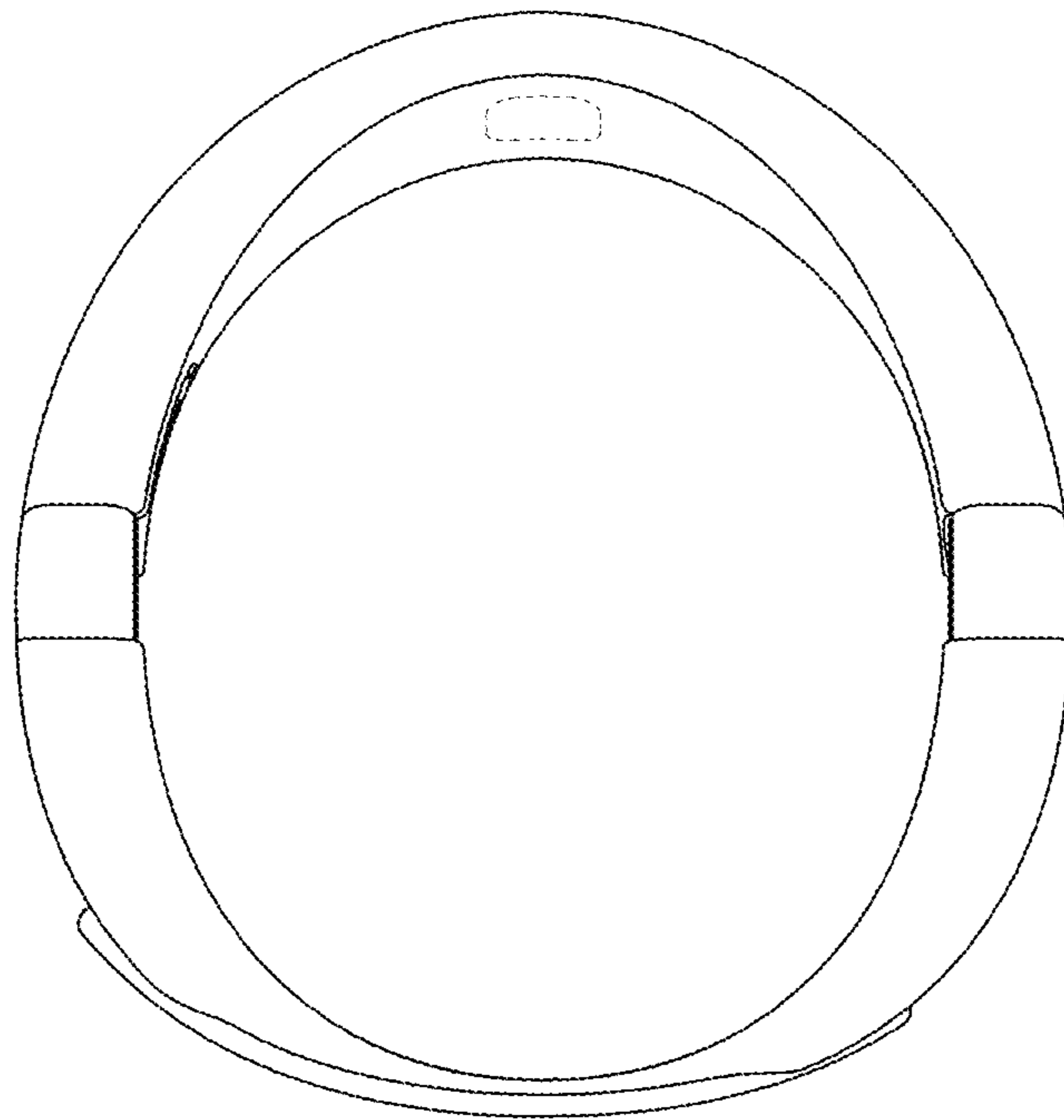
1.5



1.6



1.7



1.8

