

US00D935633S

(12) **United States Design Patent** (10) **Patent No.:** **US D935,633 S**
Park et al. (45) **Date of Patent:** **** Nov. 9, 2021**

(54) **HOLDER FOR SKIN TREATMENT APPARATUS REMOTE CONTROL**

A61B 5/04085; A61B 5/0452; A61B 5/044

See application file for complete search history.

(71) Applicant: **LG ELECTRONICS INC.**, Seoul (KR)

(56) **References Cited**

U.S. PATENT DOCUMENTS

(72) Inventors: **Sooyoung Park**, Seoul (KR); **Sanghoon Yoon**, Seoul (KR); **Chaelin Lee**, Seoul (KR); **Gayeong Lee**, Seoul (KR); **Sunha Park**, Seoul (KR)

D516,025	S	*	2/2006	Quinn	D13/108
D600,680	S	*	9/2009	Mead	D13/108
D782,685	S	*	3/2017	Pippel	D24/186
D788,035	S	*	5/2017	Bang	D13/108
D824,529	S	*	7/2018	Tenenbaum	D24/214
D861,901	S	*	10/2019	Matsushita	D24/200
D861,902	S	*	10/2019	Matsushita	D24/200
D880,709	S	*	4/2020	Levi	D24/209
2014/0135798	A1	*	5/2014	David	A61H 7/005 606/131

(73) Assignee: **LG ELECTRONICS INC.**, Seoul (KR)

(**) Term: **15 Years**

* cited by examiner

(21) Appl. No.: **35/509,021**

Primary Examiner — Eliza Z Bennett-Hattan

(22) Filed: **Oct. 10, 2019**

(74) *Attorney, Agent, or Firm* — Birch, Stewart, Kolasch & Birch, LLP

(80) **Hague Agreement Data**

Int. Filing Date: **Oct. 10, 2019**

Int. Reg. No.: **DM/206077**

Int. Reg. Date: **Oct. 10, 2019**

Int. Reg. Pub. Date: **Apr. 10, 2020**

(57) **CLAIM**

The ornamental design for a holder for skin treatment apparatus remote control, as shown and described.

(30) **Foreign Application Priority Data**

Apr. 26, 2019 (KR) 30-2019-0019841

(51) **LOC (13) Cl.** **28-03**

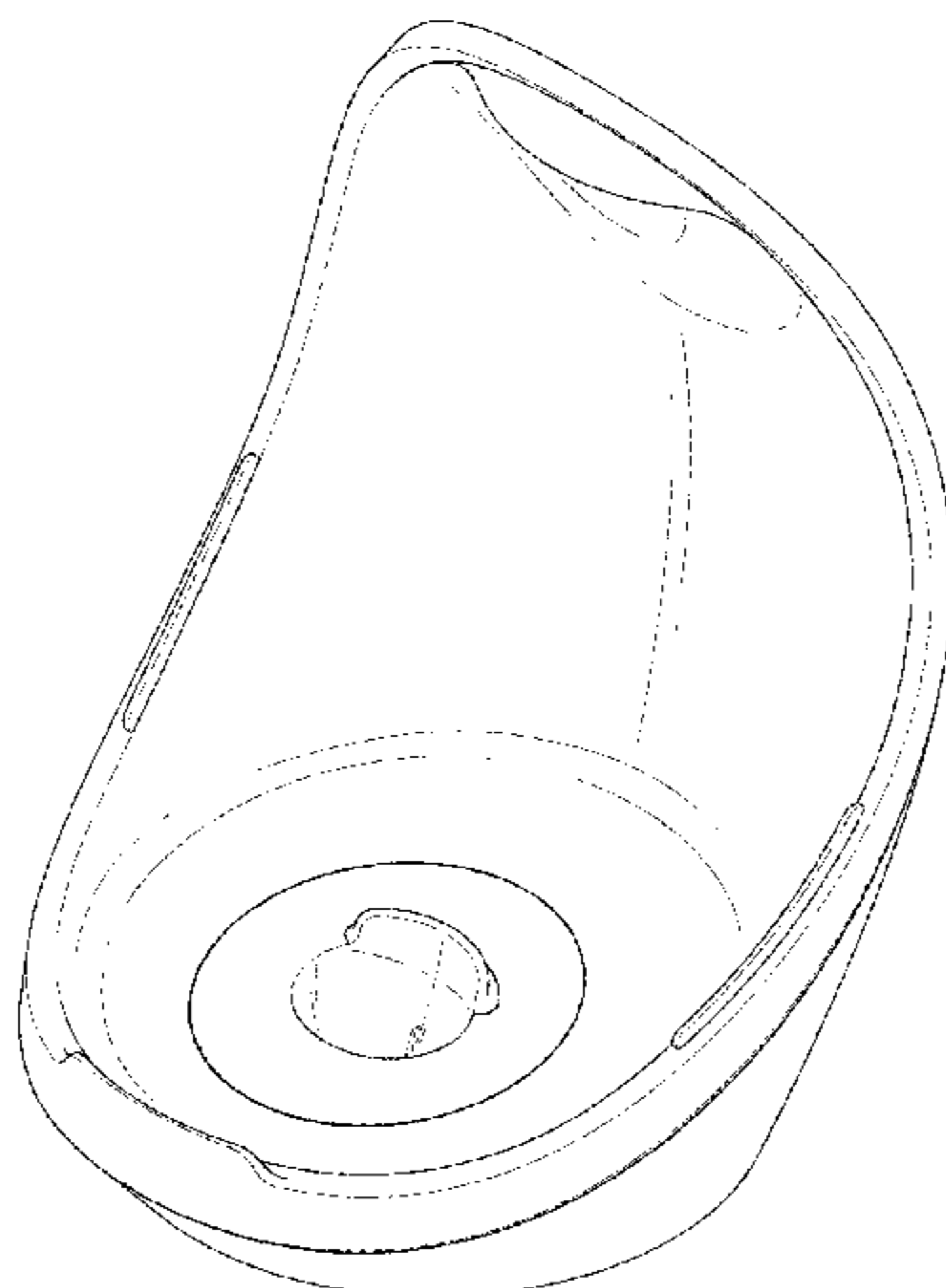
(52) **U.S. Cl.**
USPC **D24/209**

(58) **Field of Classification Search**
USPC D24/209, 200, 191, 110.3; D2/878, 892;
D29/102; D13/168; D21/566; D14/218;
D10/106.1
CPC ... A61B 5/006; A61B 5/04012; A61B 5/0456;

DESCRIPTION

1. Holder for skin treatment apparatus remote control
 - 1.1 : Perspective
 - 1.2 : Front
 - 1.3 : Back
 - 1.4 : Left
 - 1.5 : Right
 - 1.6 : Top
 - 1.7 : Bottom
 - 1.8 : Perspective view disclosing the claim in an environment of use
- The broken lines shown in reproduction 1.3, 1.6 and 1.7 depict portions of the holder for skin treatment apparatus remote control that form no part of the claimed design. The

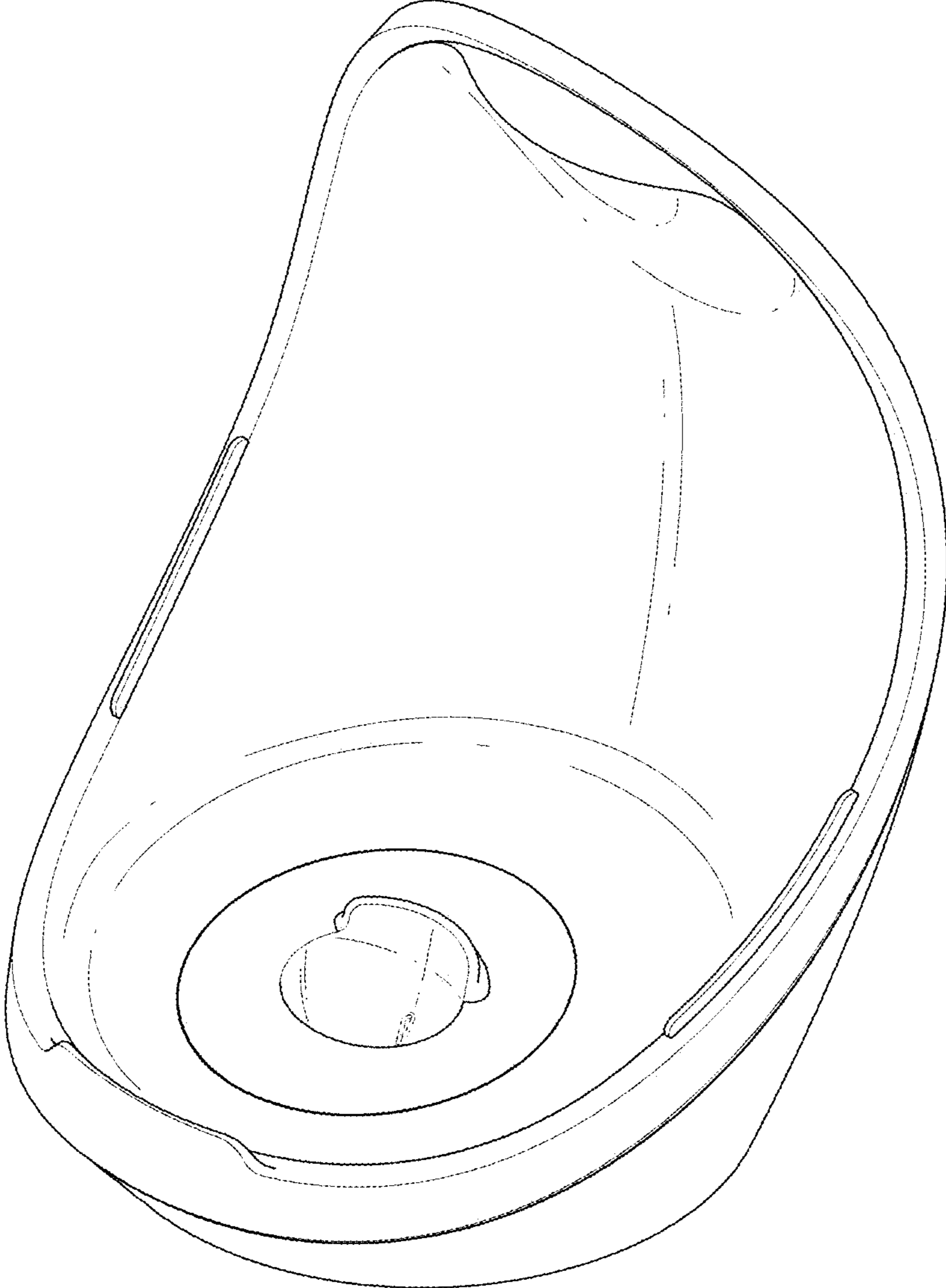
(Continued)



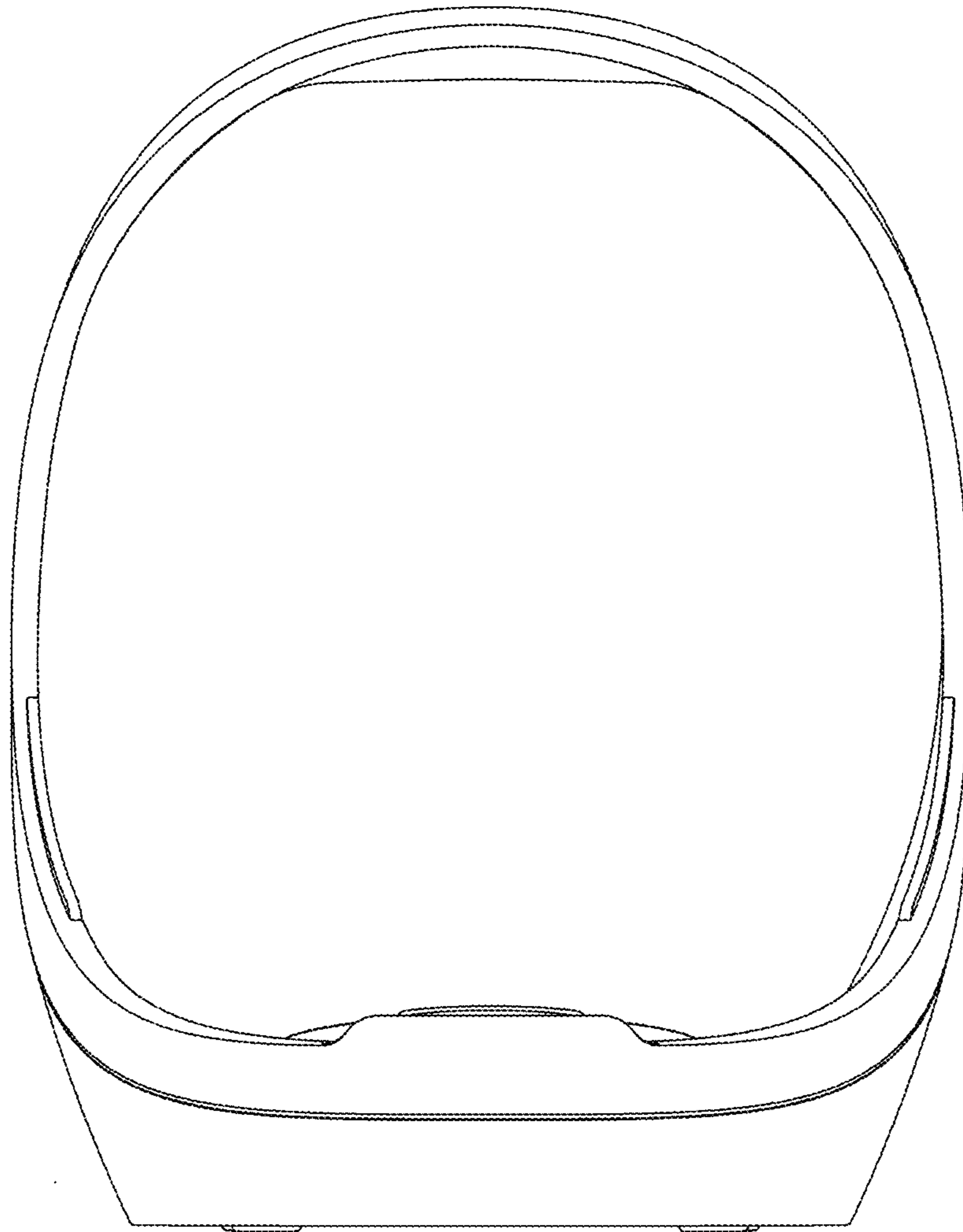
additional broken lines in reproduction **1.8** are unclaimed environment and form no part of the claimed design.

1 Claim, 8 Drawing Sheets

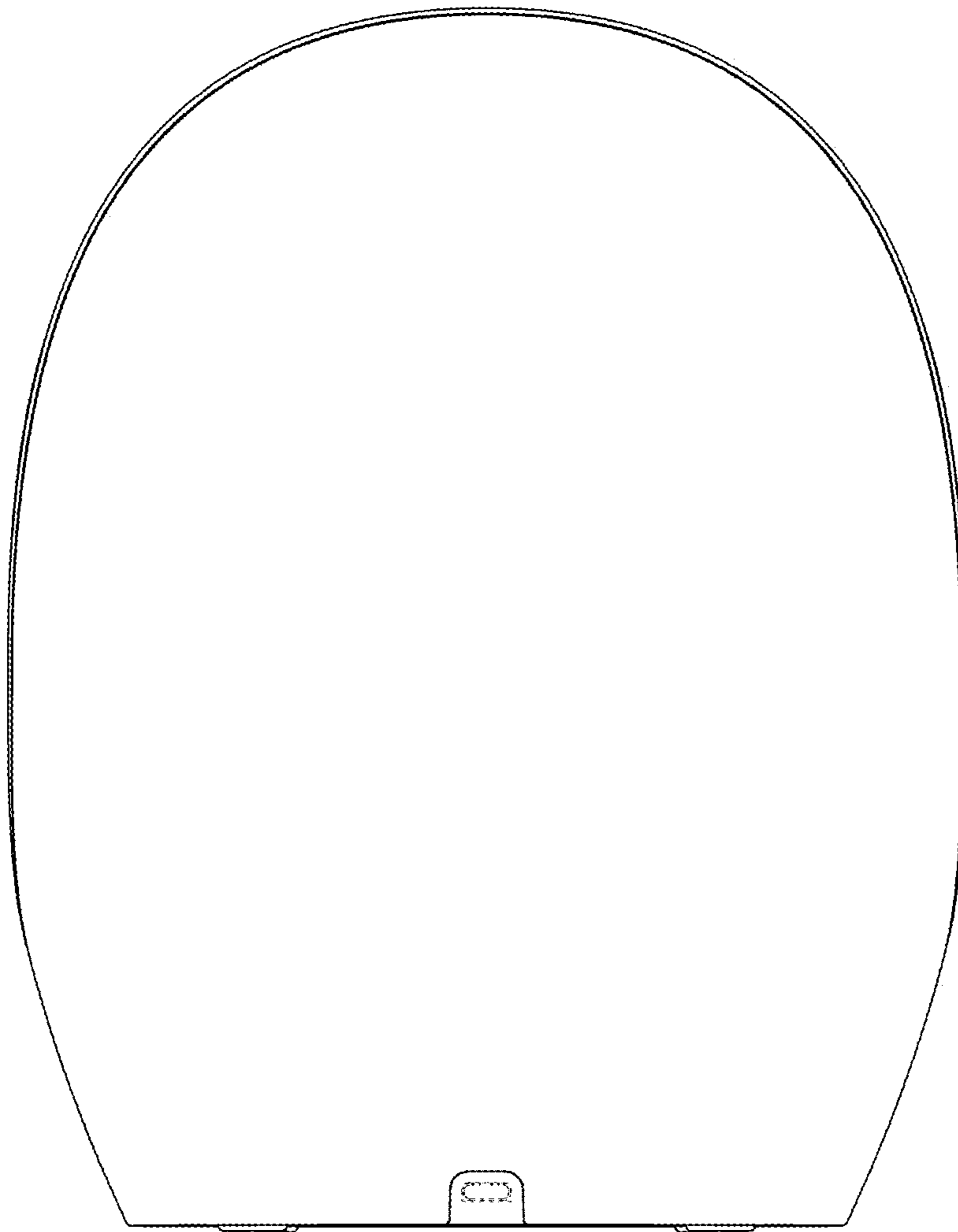
1.1



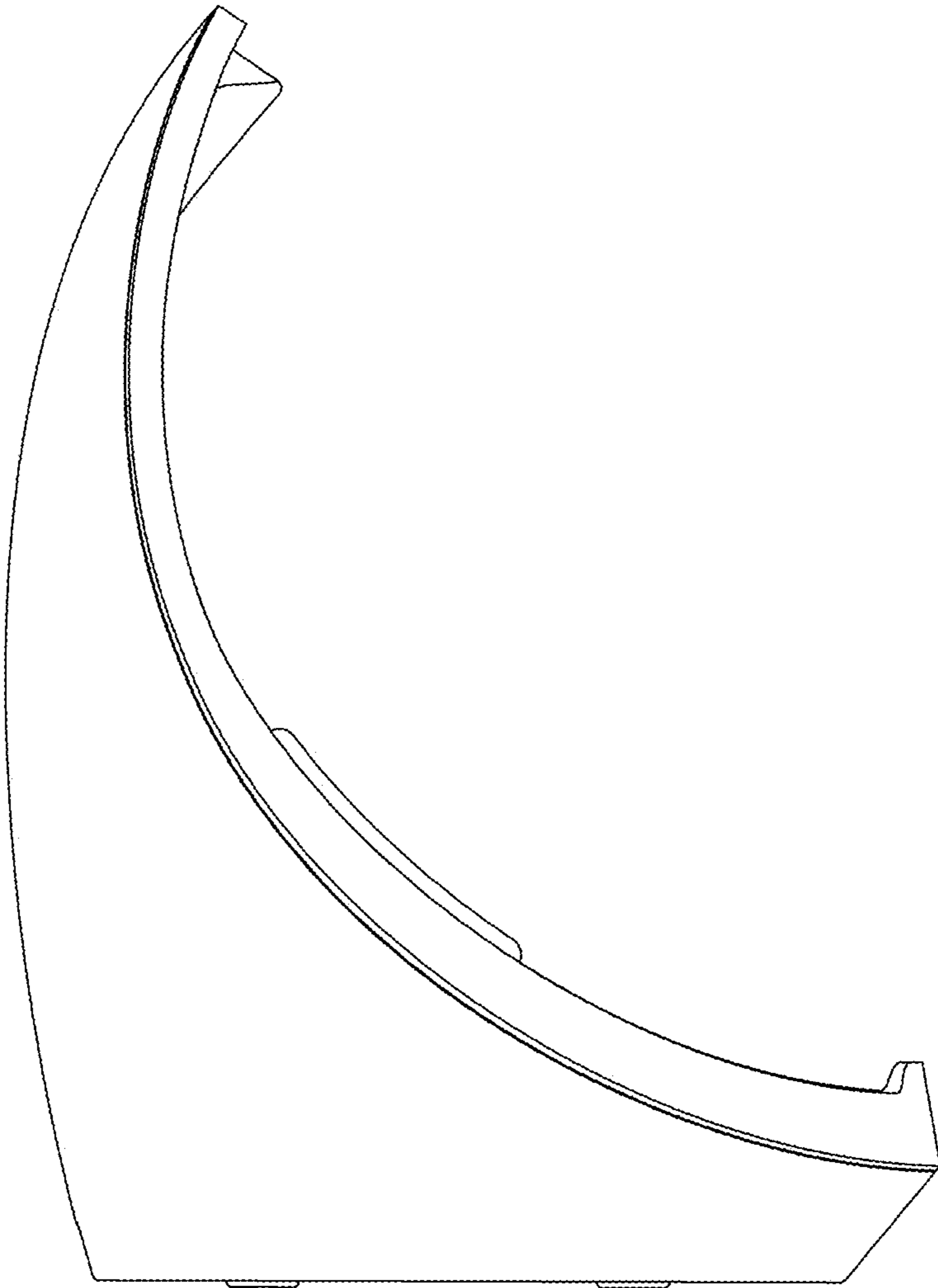
1.2



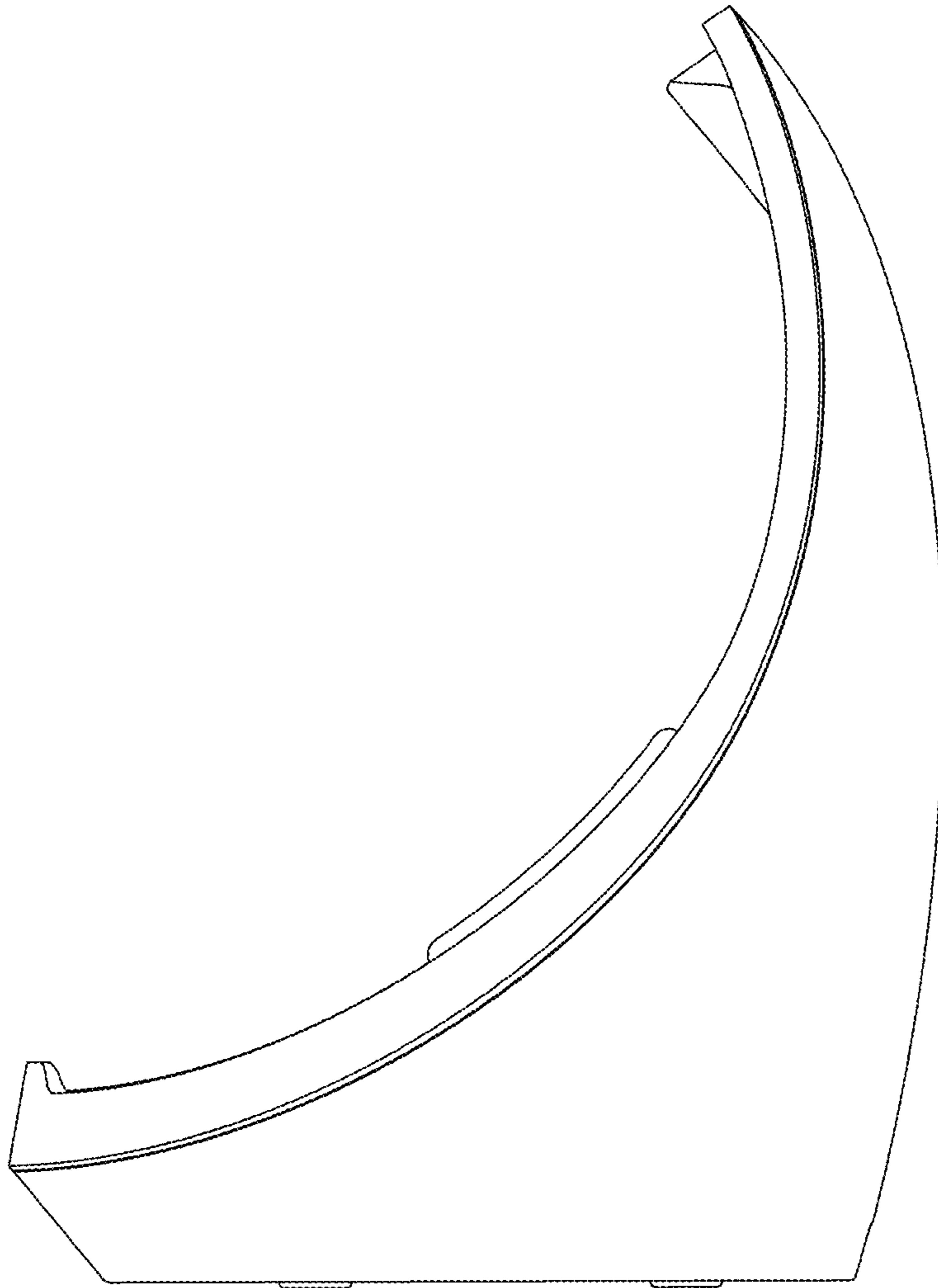
1.3



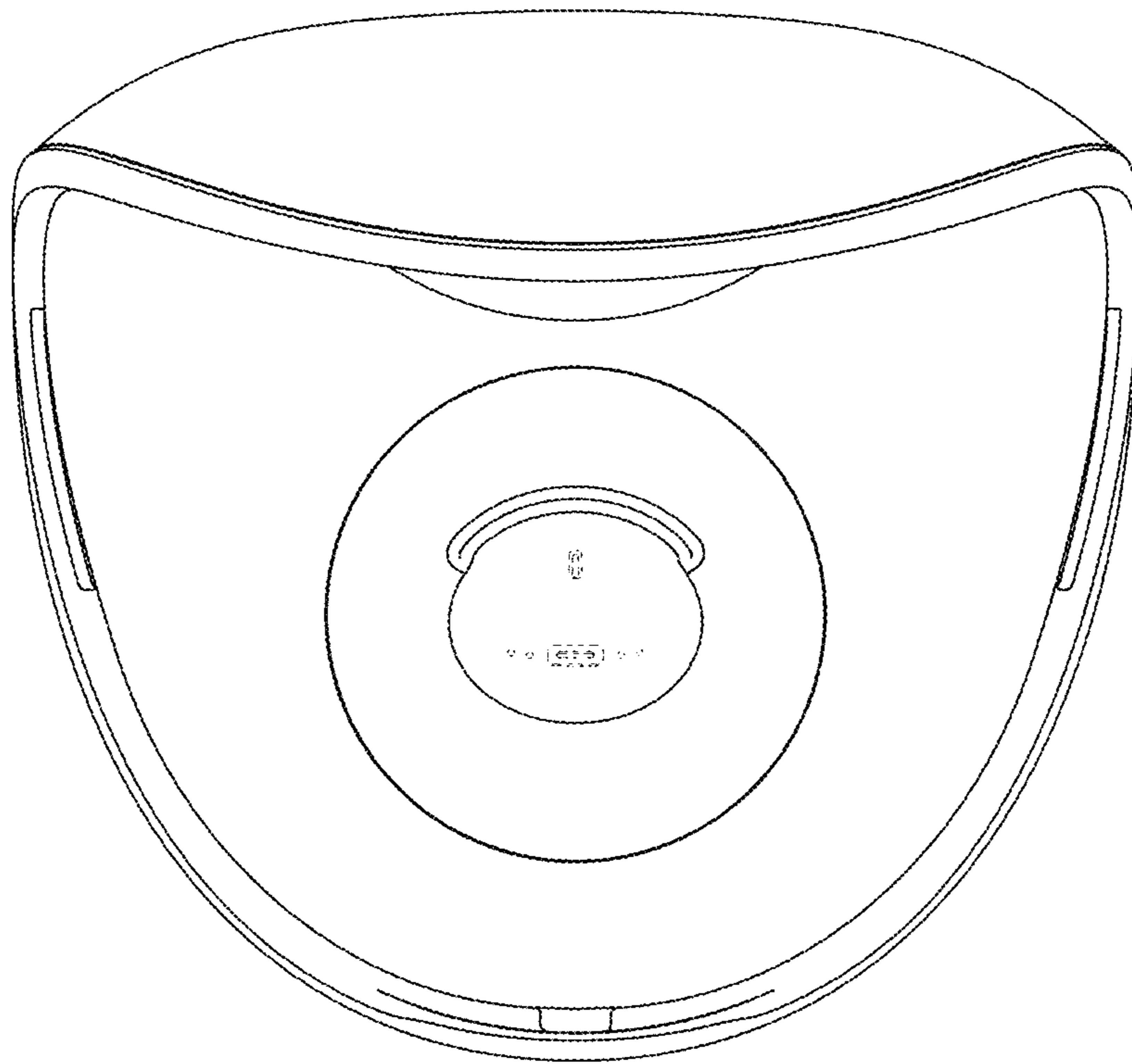
1.4



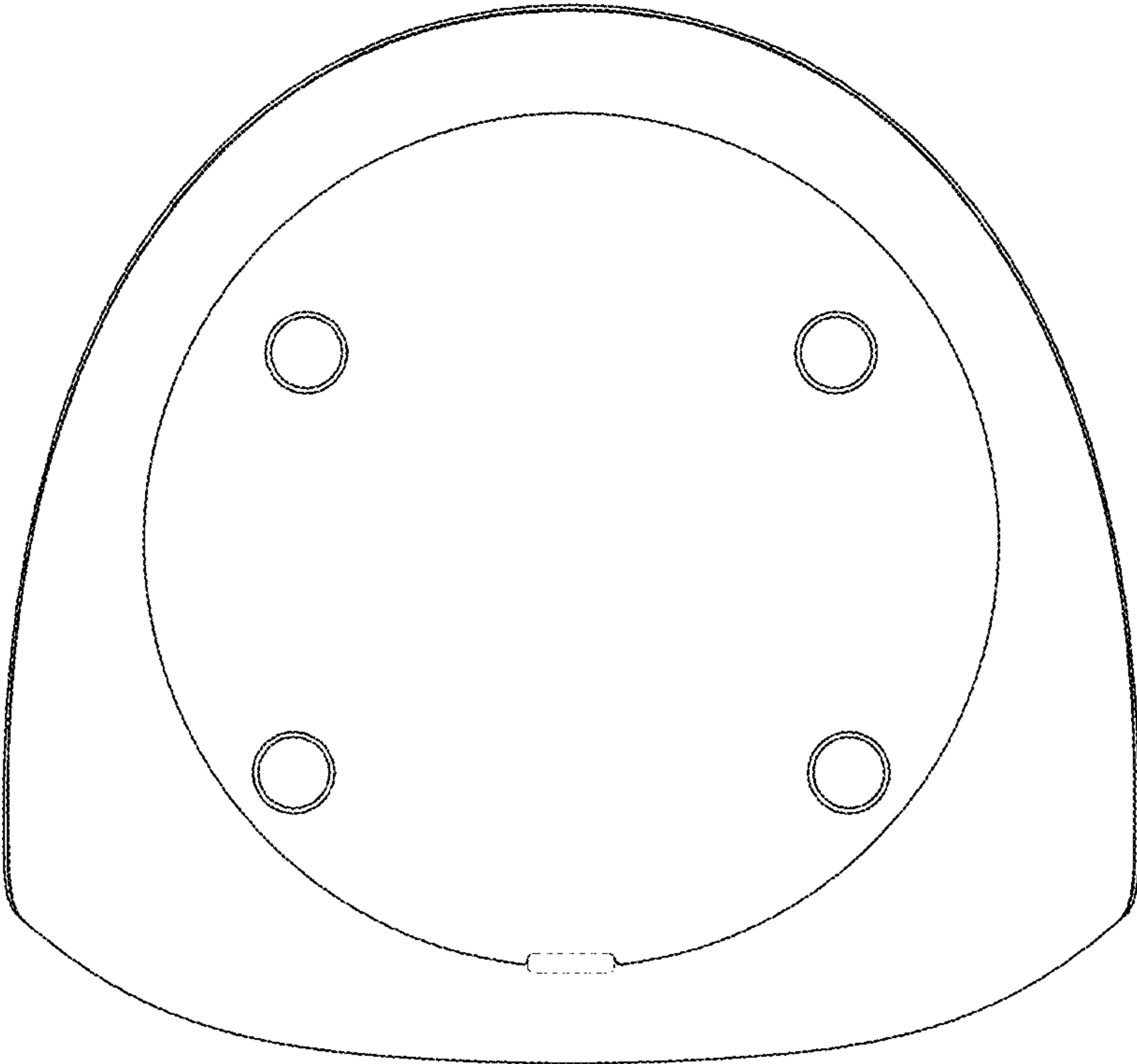
1.5



1.6



1.7



1.8

