

US00D935632S

(12) **United States Design Patent** (10) **Patent No.:** **US D935,632 S**
Lehanneur (45) **Date of Patent:** **** Nov. 9, 2021**

(54) **SKIN TREATMENT AND CARE APPARATUS**

D895,206 S * 9/2020 Huang D28/44.1
D908,957 S * 1/2021 Huang D28/44.1
2004/0167481 A1* 8/2004 Carlucci A45D 26/0004
604/291

(71) Applicant: **INDERM**, Paris (FR)

(72) Inventor: **Mathieu Lehanneur**, Paris (FR)

* cited by examiner

(**) Term: **15 Years**

Primary Examiner — Eliza Z Bennett-Hattan

(21) Appl. No.: **35/508,934**

(22) Filed: **Jan. 20, 2020**

(57) **CLAIM**

(80) **Hague Agreement Data**

The ornamental design for skin treatment and care apparatus, as shown and described.

Int. Filing Date: **Jan. 20, 2020**

Int. Reg. No.: **DM/206688**

Int. Reg. Date: **Jan. 20, 2020**

Int. Reg. Pub. Date: **Apr. 3, 2020**

DESCRIPTION

(51) **LOC (13) Cl.** **28-03**

(52) **U.S. Cl.**

USPC **D24/209**

(58) **Field of Classification Search**

USPC D24/206, 200

CPC A61M 2037/0007; A61M 37/0092

See application file for complete search history.

- 1.1 : Back
- 1.2 : Bottom
- 1.3 : Front
- 1.4 : Left
- 1.5 : Right
- 1.6 : Top
- 1.7 : Perspective

Skin treatment and care apparatus, device housing and cartridge and dispensing the contents thereof.

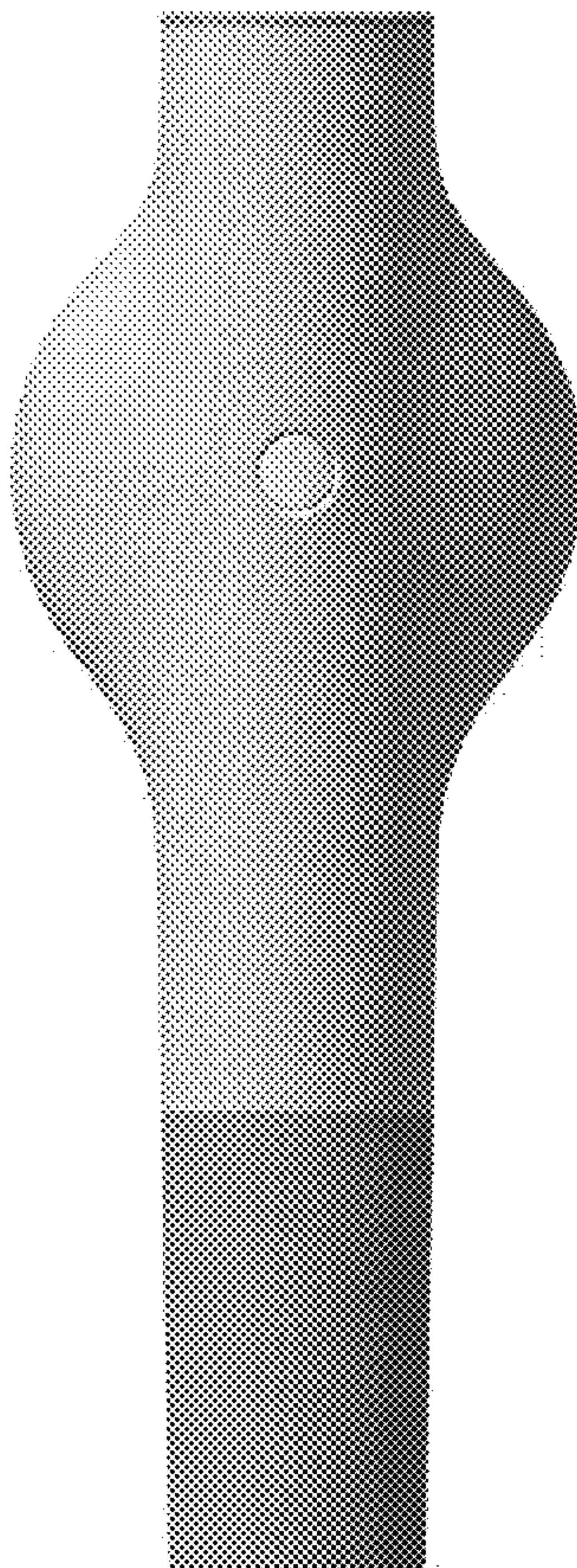
The portions of the skin treatment and care apparatus shown in broken lines form no part of the claimed design.

(56) **References Cited**

U.S. PATENT DOCUMENTS

D882,102 S * 4/2020 Shenfarber D24/209

1 Claim, 7 Drawing Sheets



1.1



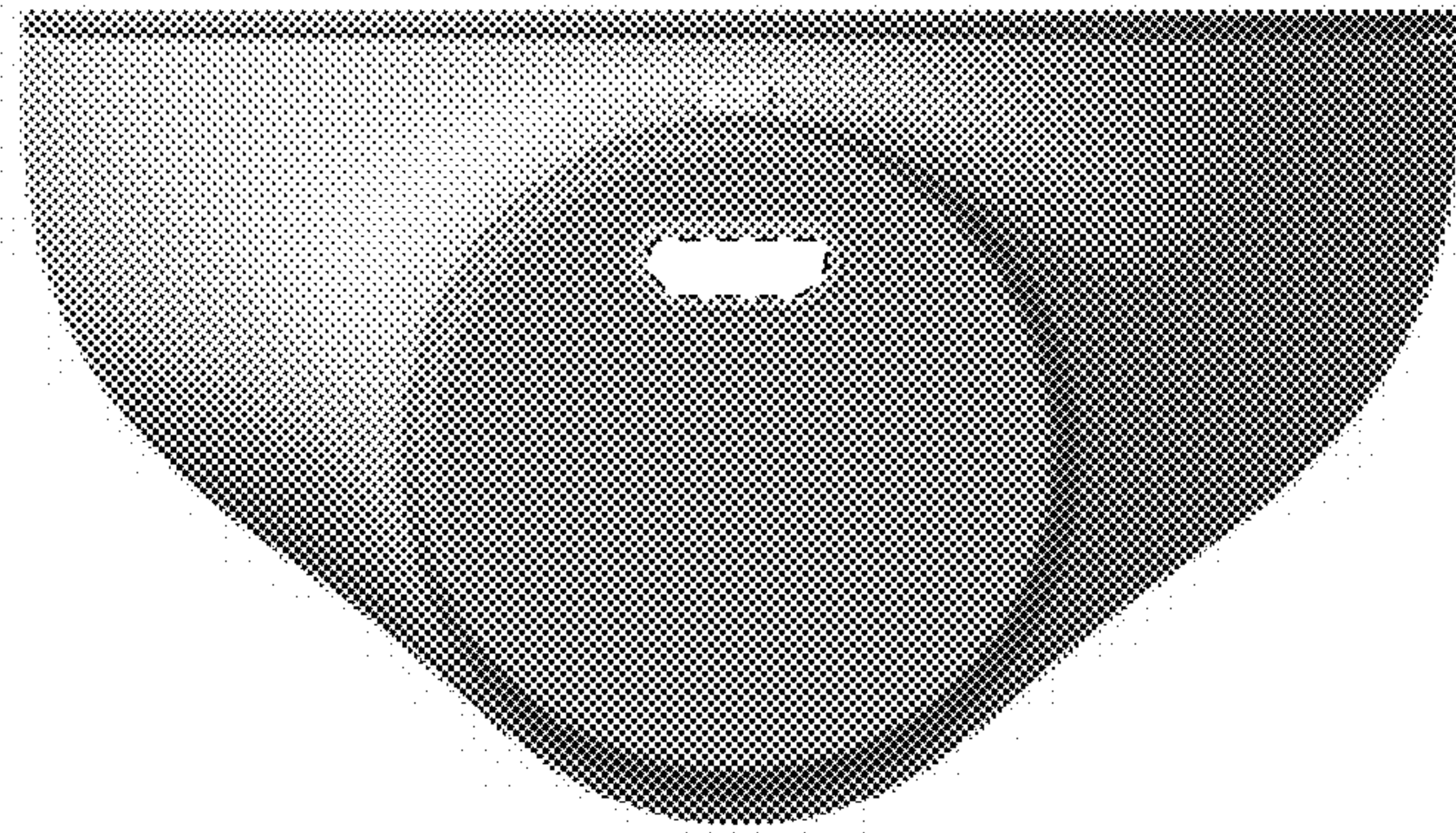
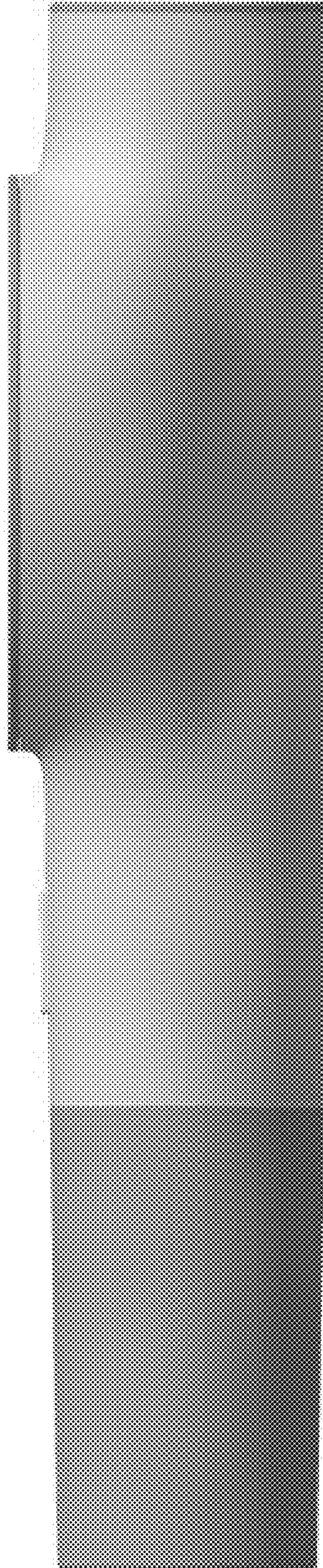


FIG. 1.2

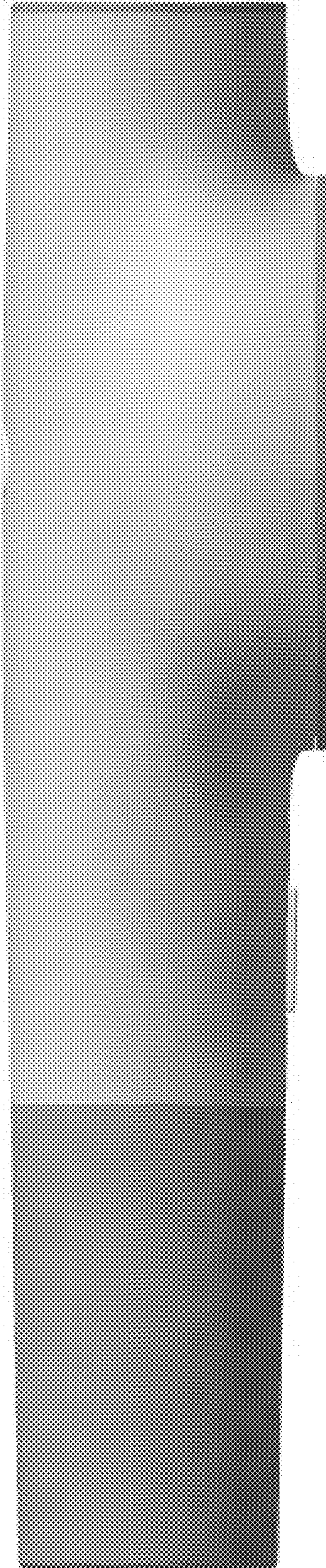
1.3



1.4



1.5



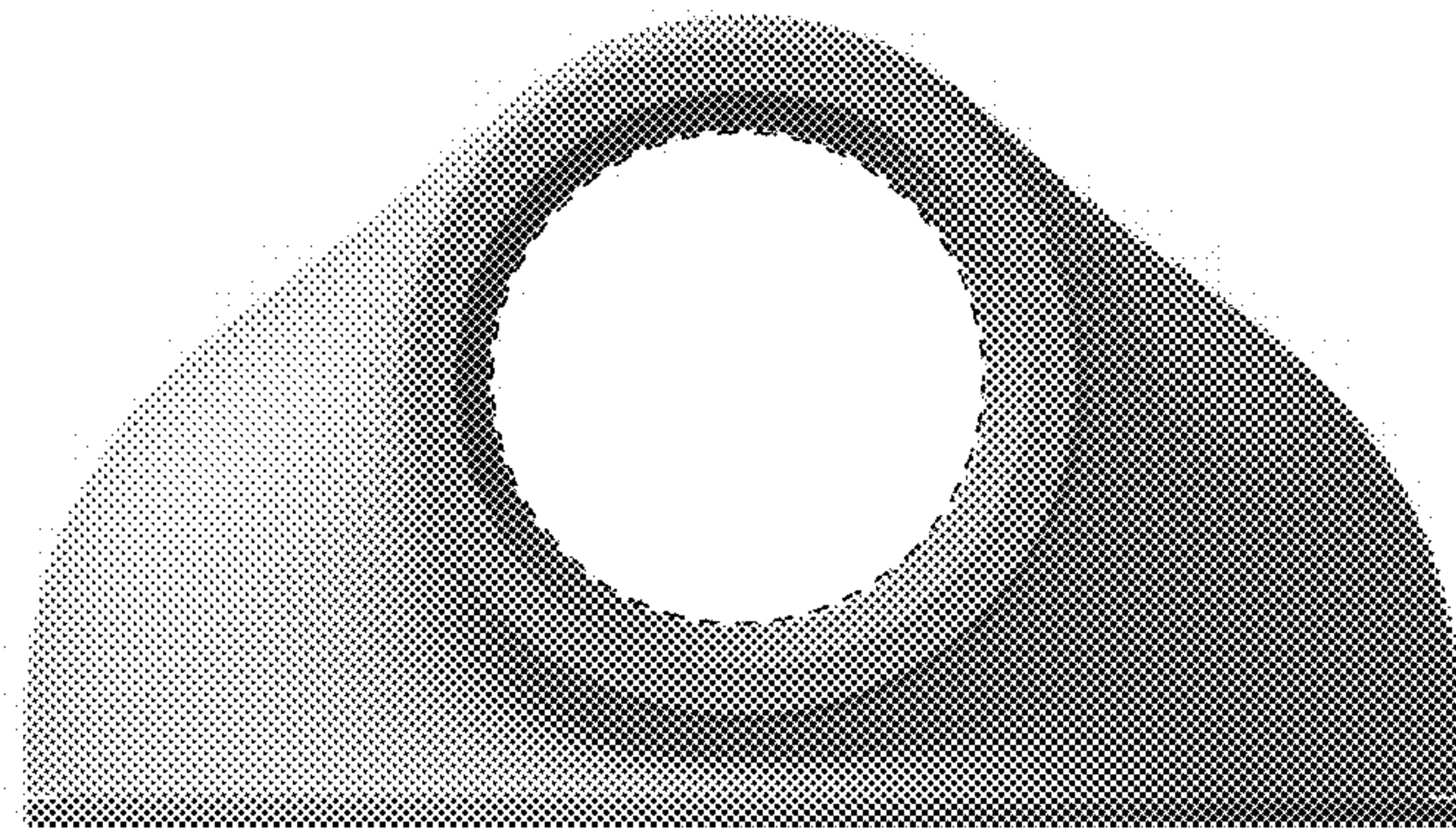


FIG. 1.6



FIG. 1.7