



US00D935631S

(12) **United States Design Patent**  
**Simon et al.**

(10) **Patent No.:** **US D935,631 S**  
(45) **Date of Patent:** **\*\* Nov. 9, 2021**

(54) **MEDICAL THERAPY DEVICE FOR THE STIMULATION OF HUMAN TISSUE**

(71) Applicant: **PIOMIC MEDICAL AG**, Zürich (CH)

(72) Inventors: **Ilja Simon**, Zurich (CH); **Jari Henrik Mitja Kruth**, Zurich (CH); **Martin Walti**, Zurich (CH); **Christopher Maximilian Constantin Richard Hertz**, Zurich (CH); **Marc André Augsburg**, Zurich (CH)

(73) Assignee: **PIOMIC MEDICAL AG**, Zurich (CH)

(\*\*) Term: **15 Years**

(21) Appl. No.: **29/689,487**

(22) Filed: **Apr. 30, 2019**

(51) **LOC (13) Cl.** ..... **24-02**

(52) **U.S. Cl.**  
USPC ..... **D24/200; D24/216**

(58) **Field of Classification Search**  
USPC ..... **D24/107, 133, 137, 138, 141, 147, D24/158-161, 164, 165, 167, 170,**  
(Continued)

(56) **References Cited**

**U.S. PATENT DOCUMENTS**

D421,109 S \* 2/2000 Wolfe ..... D23/356  
D465,282 S \* 11/2002 Cecchi ..... D24/121  
(Continued)

*Primary Examiner* — T Chase Nelson

*Assistant Examiner* — Kelly L Gross

(74) *Attorney, Agent, or Firm* — Tarolli, Sundheim, Covell & Tummio LLP

(57) **CLAIM**

We claim the ornamental design for a medical therapy device for the stimulation of human tissue, as shown and described.

**DESCRIPTION**

FIG. 1 is a perspective view of a medical therapy device comprising a new, original and ornamental design;

FIG. 2 is another perspective view of the medical therapy device rotated 90° from the position shown in FIG. 1;

FIG. 3 is a bottom view of the medical therapy device shown in FIG. 1;

FIG. 4 is a top plan view of the medical therapy device shown in FIG. 1;

FIG. 5 is a rear elevational view of the medical therapy device shown in FIG. 1;

FIG. 6 is a front elevational view of the medical therapy device shown in FIG. 1;

FIG. 7 is a right side elevational view of the medical therapy device shown in FIG. 1;

FIG. 8 is a left side elevational view of the medical therapy device shown in FIG. 1;

FIG. 9 is an exploded view of the medical therapy device shown in FIG. 1;

FIG. 10 is a perspective view of a pod that forms part of the medical therapy device shown in FIG. 1;

FIG. 11 is a bottom view of the pod of the medical therapy device shown in FIG. 10;

FIG. 12 is a top plan view of the pod of the medical therapy device shown in FIG. 10;

FIG. 13 is a rear elevational view of the pod of the medical therapy device shown in FIG. 10;

FIG. 14 is a front elevational view of the pod of the medical therapy device shown in FIG. 10;

FIG. 15 is a right side elevational view of the pod of the medical therapy device shown in FIG. 10;

FIG. 16 is a left side elevational view of the pod of the medical therapy device shown in FIG. 10;

FIG. 17 is a perspective view of a consumable that forms part of the medical therapy device shown in FIG. 1;

FIG. 18 is bottom plan view of the consumable of the medical therapy device shown in FIG. 17;

FIG. 19 is a top plan view of the consumable of the medical therapy device shown in FIG. 17;

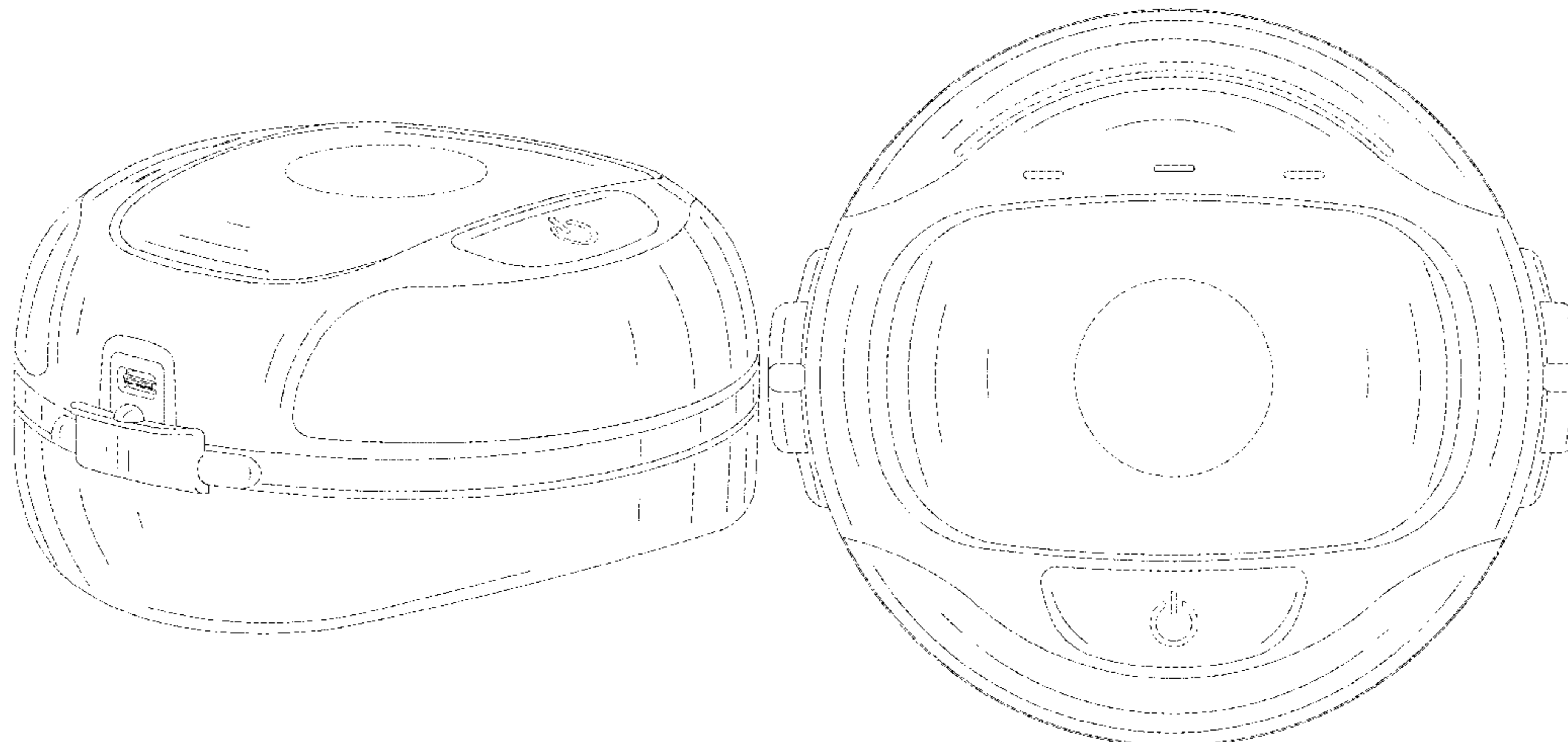
FIG. 20 is a rear elevational view of the consumable of the medical therapy device shown in FIG. 17;

FIG. 21 is a front elevational view of the consumable of the medical therapy device shown in FIG. 17;

FIG. 22 is a right side elevational view of the consumable of the medical therapy device shown in FIG. 17; and,

FIG. 23 is a left side elevational view of the consumable of the medical therapy device shown in FIG. 17.

(Continued)



Broken lines in the Figures are for illustrative purposes only and do not form part of the invention.

**1 Claim, 16 Drawing Sheets**

**(58) Field of Classification Search**

USPC ..... D24/185-187, 130, 112, 113, 146, 200, D24/216, 223, 231-234; D10/57, 60, 78, D10/80, 81; D6/709; D14/420  
 CPC ..... A61B 17/0469; A61B 17/0482; A61B 2017/2927; A61B 8/0437; A61B 8/0883; A61B 8/4405; A61B 8/4427; A61B 8/445; B41J 2/17513; G01N 21/0483; G01N 21/0303; G01N 21/6428; G01N 21/6486; G01N 35/00029; G01N 35/00019; G01N 2035/00326; G01N 2201/061; B01L 3/527; B01L 3/5027; B01L 2200/027; B01L 2300/0816; B01L 2300/0822

See application file for complete search history.

**(56) References Cited**

U.S. PATENT DOCUMENTS

D465,733 S \* 11/2002 Hill ..... D9/519  
 D470,594 S \* 2/2003 Brassil ..... D24/107  
 D472,175 S \* 3/2003 Welsh ..... D10/106.5  
 D472,255 S \* 3/2003 Stapleton ..... D16/130  
 D516,217 S \* 2/2006 Brown ..... D10/78  
 D526,719 S \* 8/2006 Richie, Jr. .... D24/186  
 D527,106 S \* 8/2006 Baker ..... D24/164  
 D529,616 S \* 10/2006 Deros ..... D24/186  
 D560,129 S \* 1/2008 Rich ..... D10/78  
 D577,301 S \* 9/2008 Johnson ..... D10/106.1  
 D602,388 S \* 10/2009 Killo ..... D10/106.1  
 D625,621 S \* 10/2010 Boyer ..... D10/46.1  
 D627,670 S \* 11/2010 Gonzales ..... D10/81  
 D627,671 S \* 11/2010 Gonzales ..... D10/81  
 D637,294 S \* 5/2011 Hickey ..... D24/169  
 7,941,936 B2 \* 5/2011 Mangano ..... D06F 58/10  
 34/235  
 D671,851 S \* 12/2012 Treharne ..... D10/81  
 D677,438 S \* 3/2013 Miller ..... D30/152  
 D685,790 S \* 7/2013 Tang ..... D14/388  
 D686,929 S \* 7/2013 Rainer ..... D10/96  
 D686,930 S \* 7/2013 Rainer ..... D10/96

D687,009 S \* 7/2013 Song ..... D14/155  
 D687,328 S \* 8/2013 Clymer ..... D10/70  
 D702,576 S \* 4/2014 McKinney ..... D10/106.1  
 D743,954 S \* 11/2015 Chuang ..... D14/240  
 D751,215 S \* 3/2016 Perry ..... D24/232  
 D751,534 S \* 3/2016 Lenz ..... D14/230  
 D765,874 S \* 9/2016 Judson ..... D24/216  
 D777,339 S \* 1/2017 Chen ..... D24/209  
 D779,266 S \* 2/2017 Decker ..... D7/391  
 D779,267 S \* 2/2017 Decker ..... D7/391  
 D783,175 S \* 4/2017 Hosokawa ..... D24/216  
 D784,549 S \* 4/2017 Brooks ..... D24/216  
 D784,833 S \* 4/2017 Rojo ..... D10/81  
 D785,473 S \* 5/2017 Zhao ..... D10/70  
 D795,182 S \* 8/2017 Akana ..... D13/108  
 D795,937 S \* 8/2017 Chang ..... D16/202  
 D802,472 S \* 11/2017 Sasaki ..... D11/182  
 D803,384 S \* 11/2017 Wang ..... D23/411  
 D805,617 S \* 12/2017 McConnell ..... D23/323  
 D805,802 S \* 12/2017 McConnell ..... D6/518  
 D808,530 S \* 1/2018 Bak ..... D24/158  
 D810,421 S \* 2/2018 Ross ..... D3/203.1  
 D813,366 S \* 3/2018 Tang ..... D23/366  
 D822,192 S \* 7/2018 Haggar ..... D23/411  
 D825,778 S \* 8/2018 Brenner ..... D24/232  
 D835,984 S \* 12/2018 Perry ..... D9/420  
 D837,053 S \* 1/2019 Perry ..... D9/443  
 D839,111 S \* 1/2019 Krishnan ..... D10/78  
 D861,845 S \* 10/2019 Chen ..... D23/364  
 D868,992 S \* 12/2019 Ma ..... D24/217  
 D875,919 S \* 2/2020 Haggar ..... D23/411  
 D879,316 S \* 3/2020 Ullman ..... D24/216  
 D879,317 S \* 3/2020 Ullman ..... D24/216  
 D882,110 S \* 4/2020 Klein ..... D24/216  
 D883,329 S \* 5/2020 Shi ..... D14/496  
 D894,368 S \* 8/2020 Lee ..... D24/107  
 D894,963 S \* 9/2020 Li ..... D14/496  
 D895,838 S \* 9/2020 Purdy ..... D24/227  
 D896,979 S \* 9/2020 Schumaier ..... D24/217  
 D897,543 S \* 9/2020 Jones ..... D24/187  
 D901,712 S \* 11/2020 Nicoll ..... D24/217  
 D901,713 S \* 11/2020 Nicoll ..... D24/217  
 D901,897 S \* 11/2020 Courtney ..... D4/101  
 D916,267 S \* 4/2021 Chen ..... D23/366  
 D917,710 S \* 4/2021 Li ..... D24/200  
 D917,712 S \* 4/2021 McDevitt ..... D24/214  
 D920,493 S \* 5/2021 Alexander ..... D23/366  
 D921,918 S \* 6/2021 Eriksson ..... D24/216  
 D924,405 S \* 7/2021 Imbruce ..... D24/164  
 D925,046 S \* 7/2021 Johnson ..... D24/209

\* cited by examiner

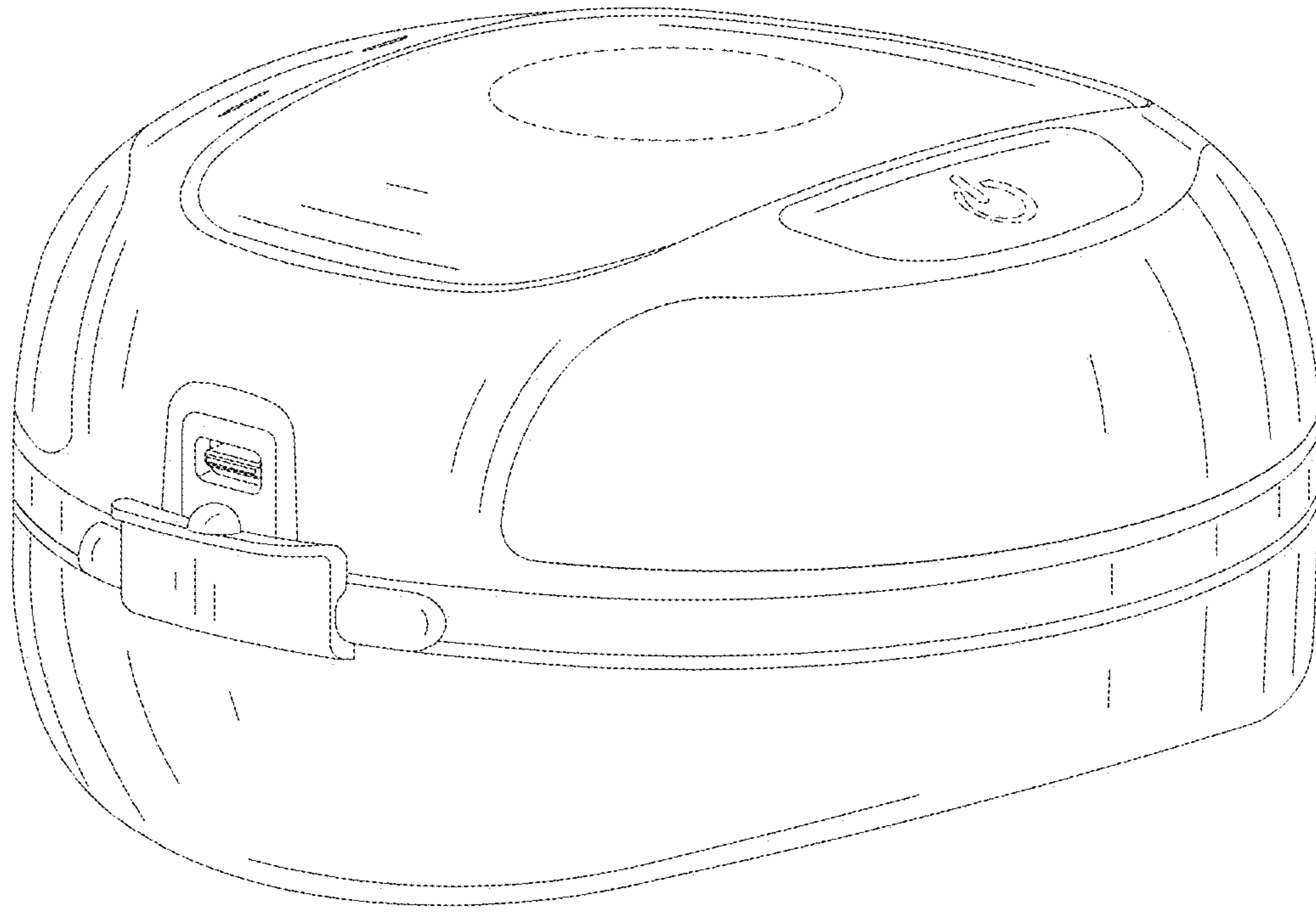


FIG. 1

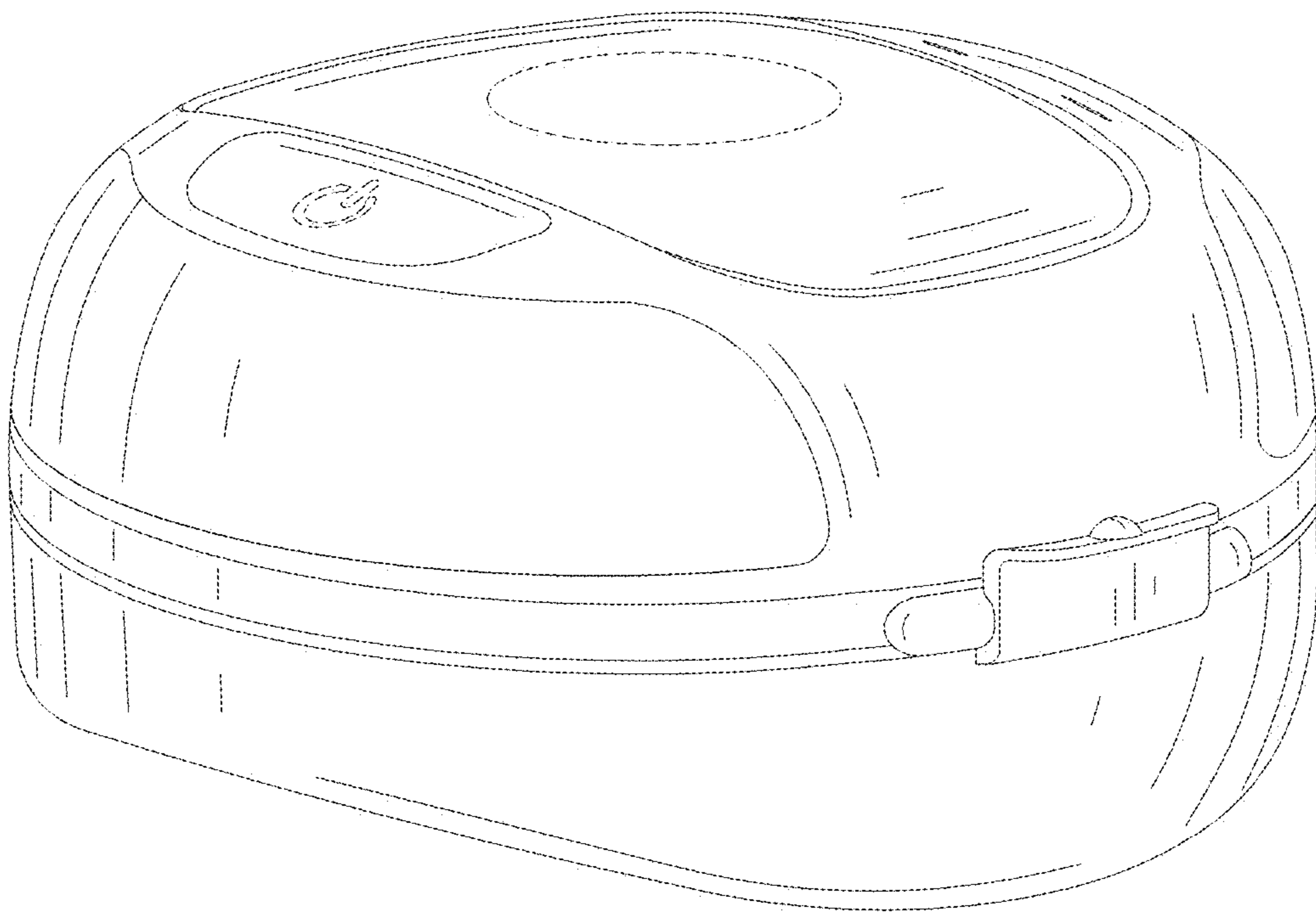


FIG. 2

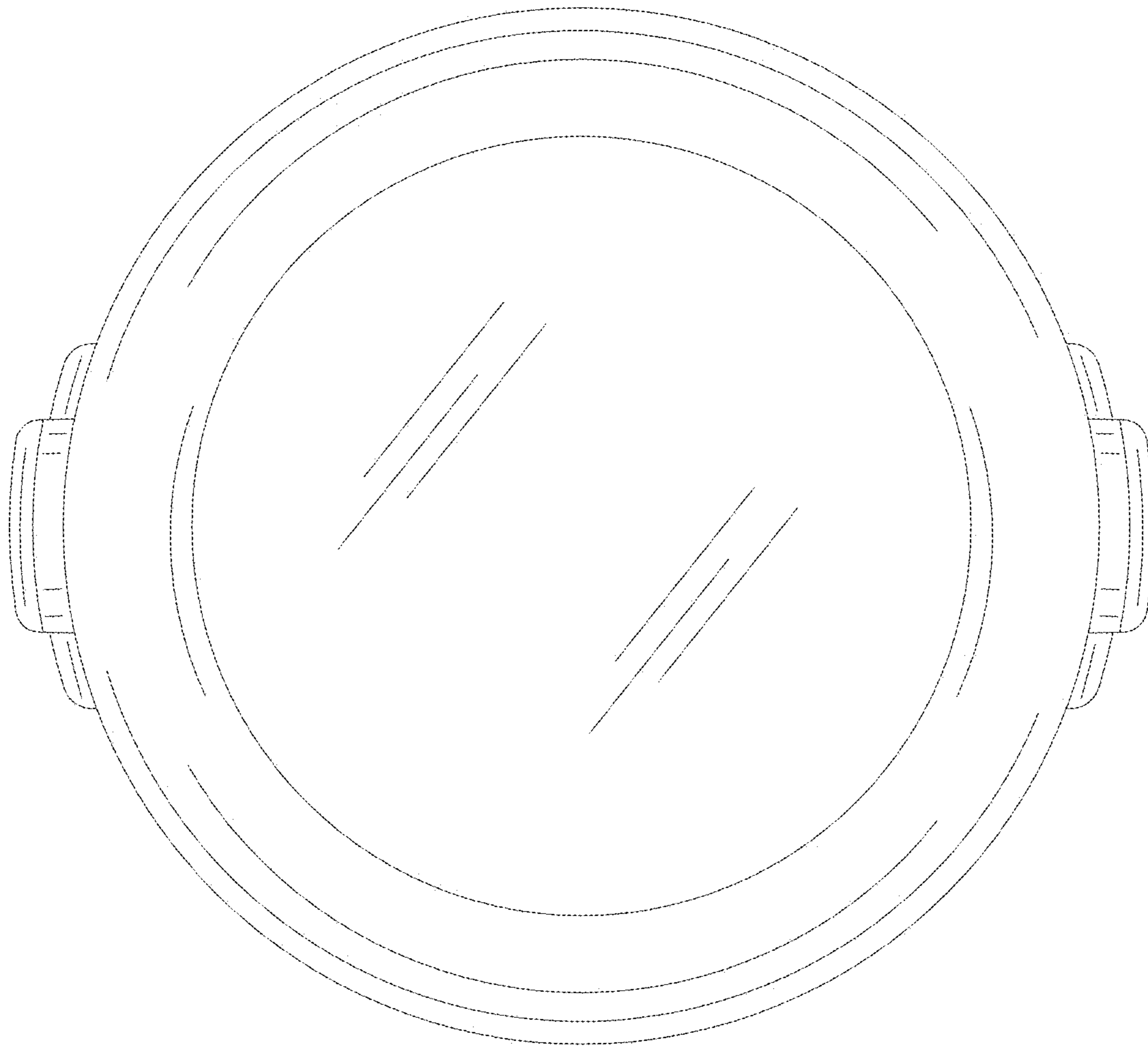


FIG. 3

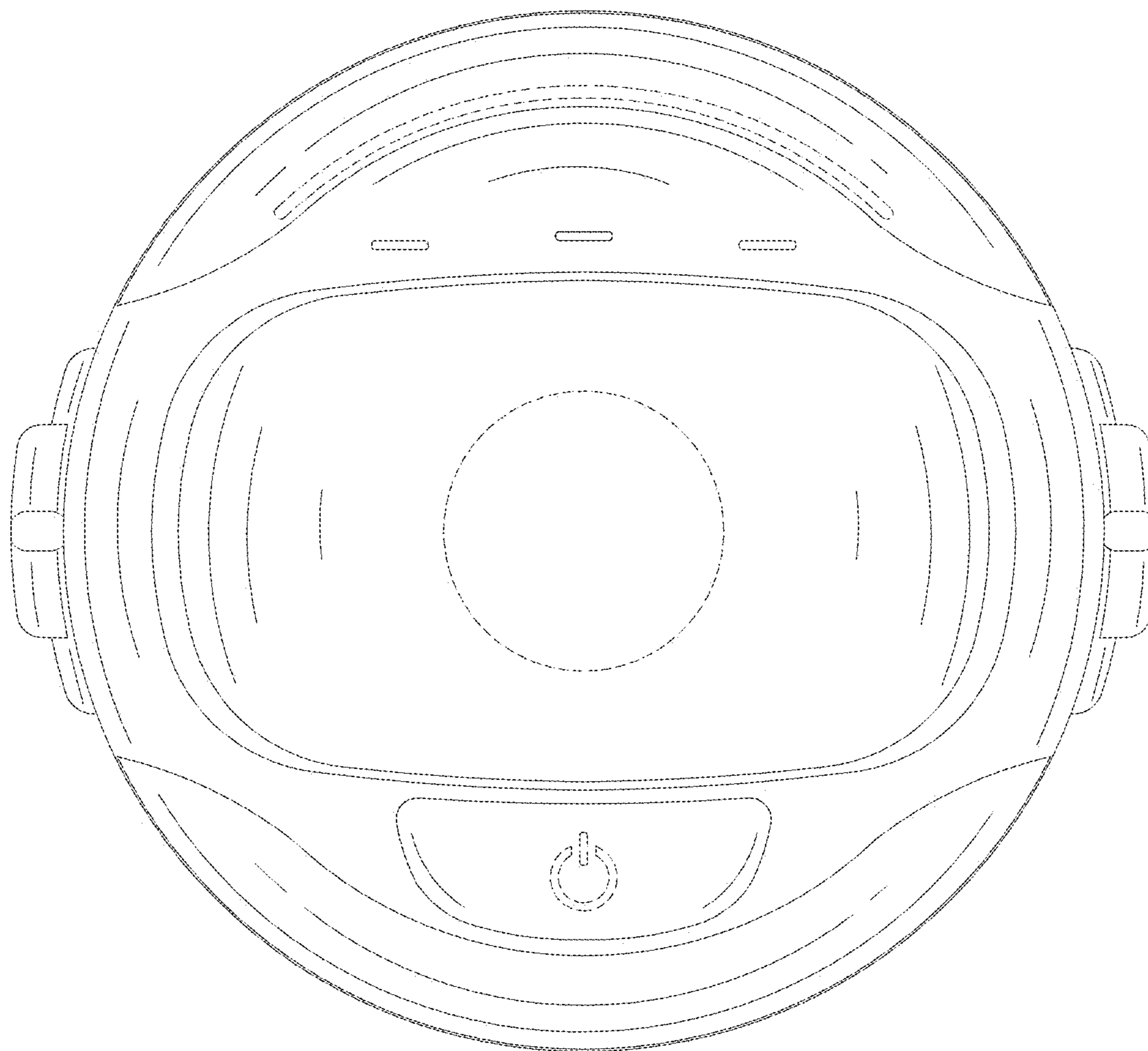


FIG. 4

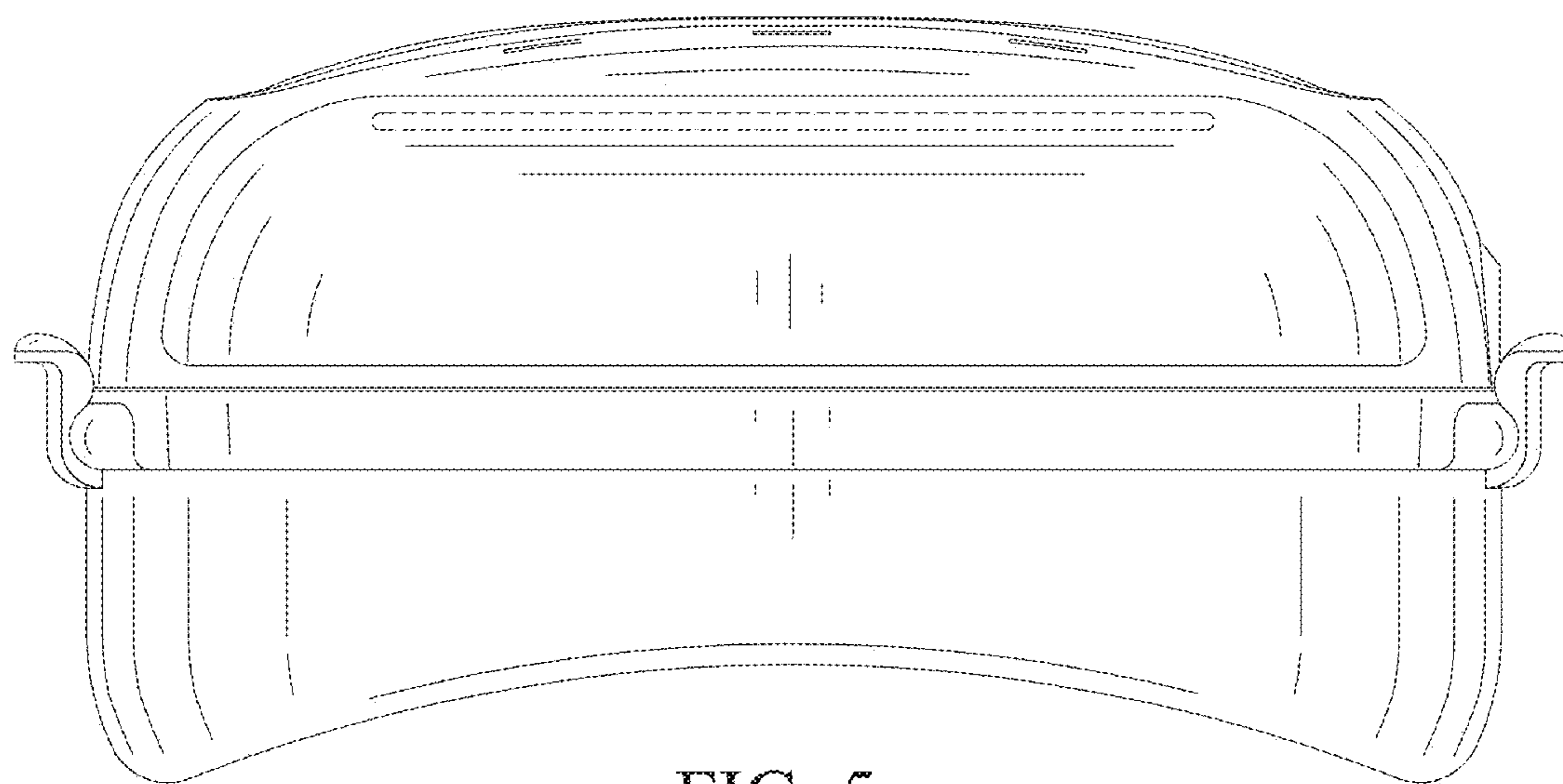


FIG. 5

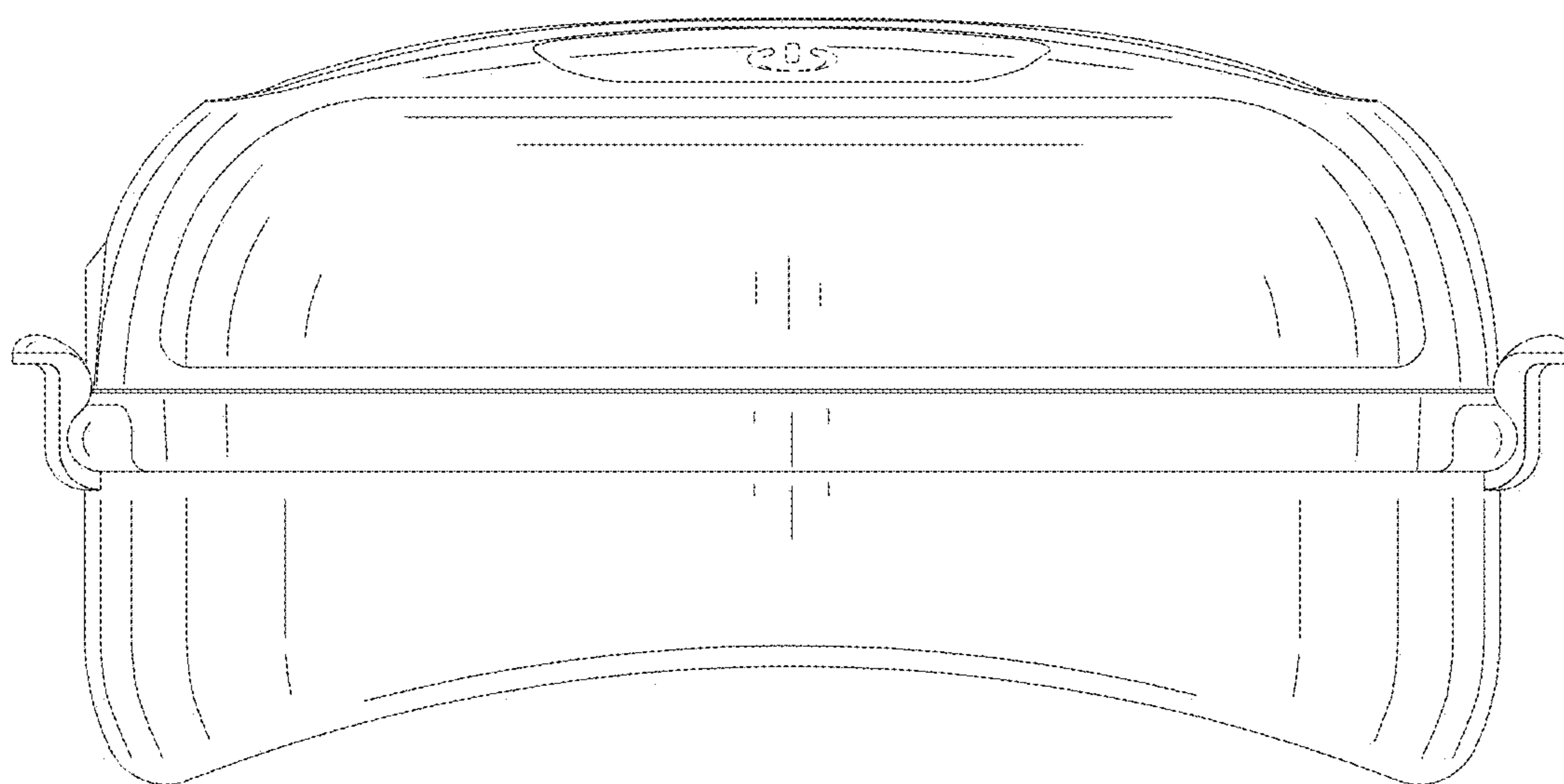


FIG. 6

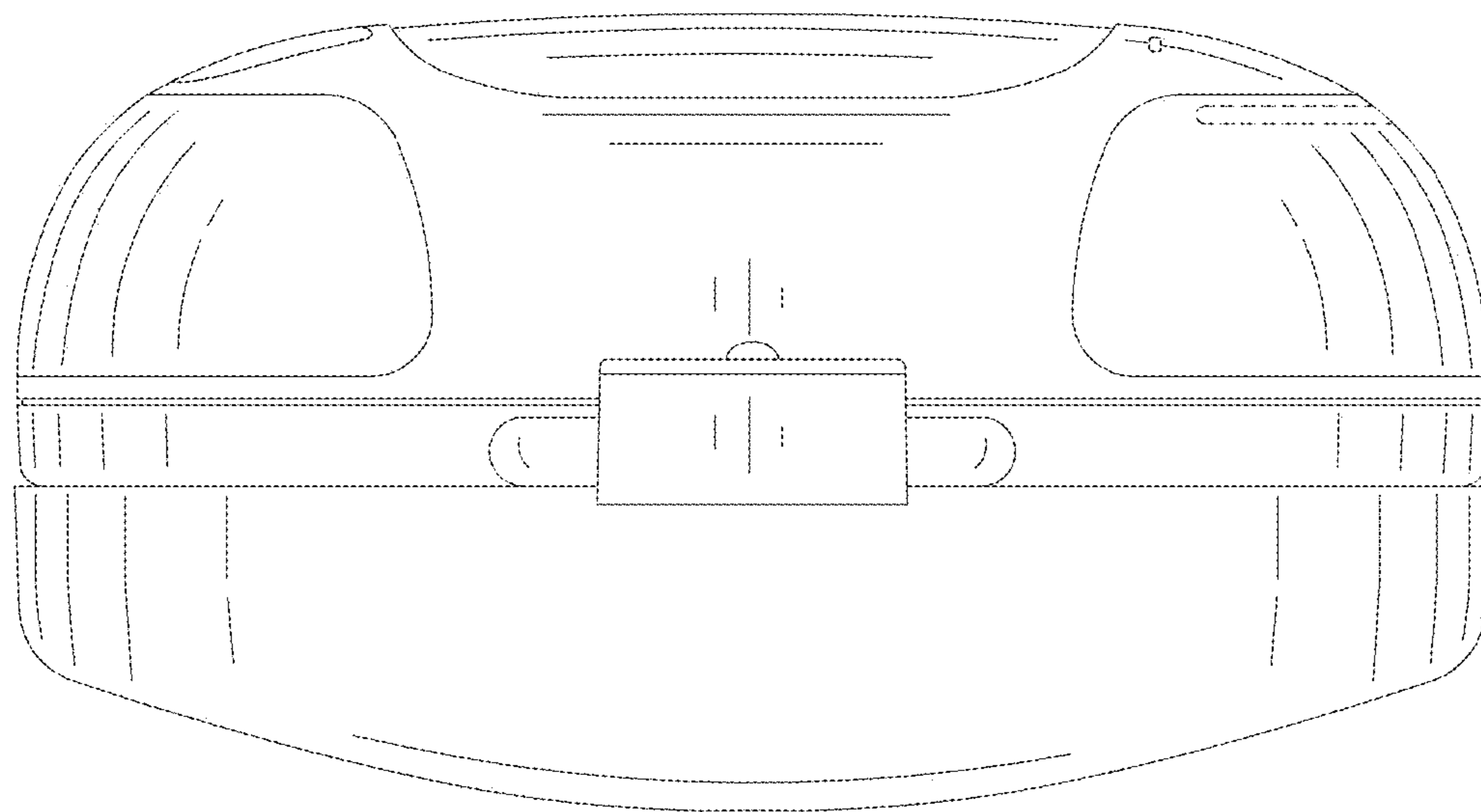


FIG. 7

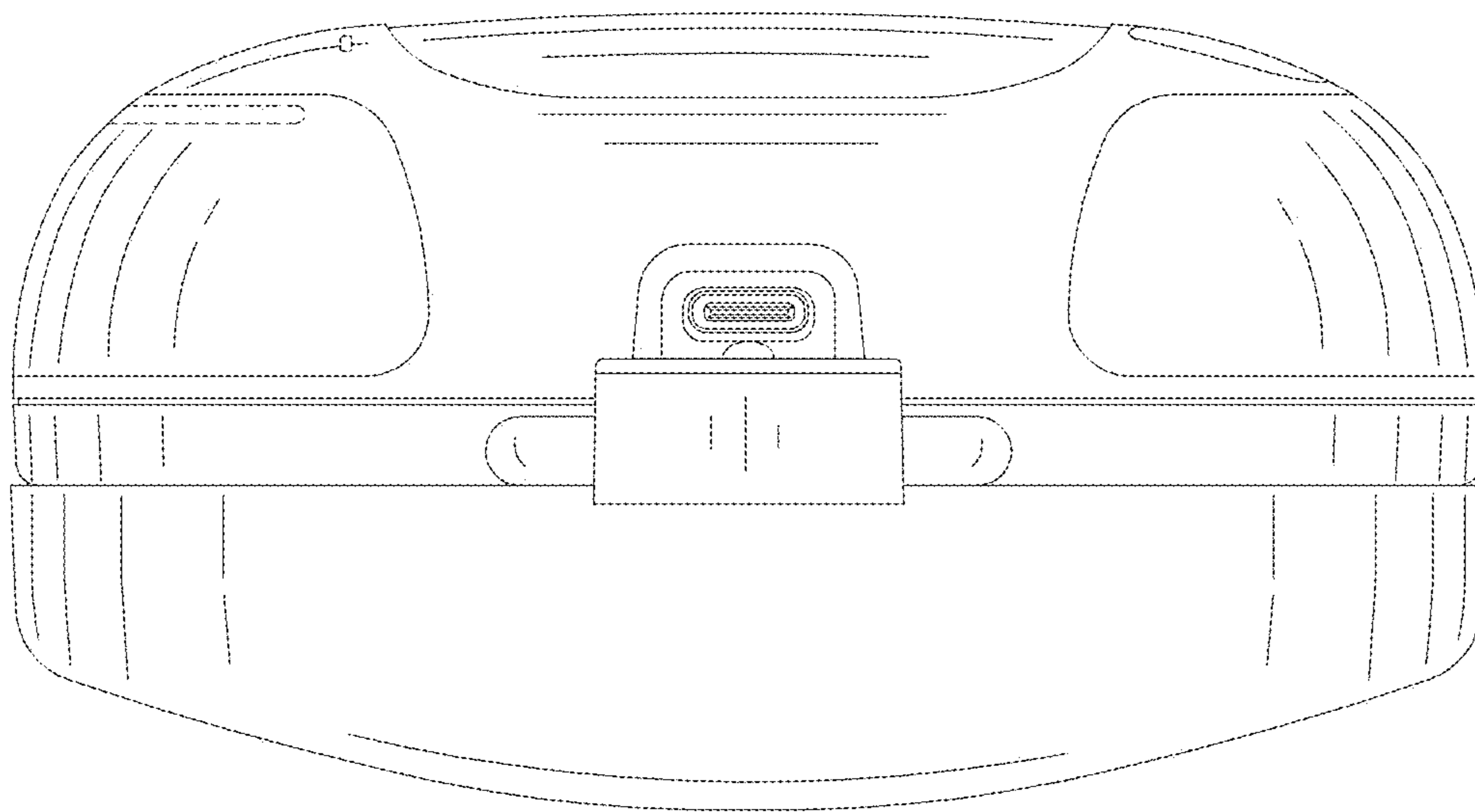
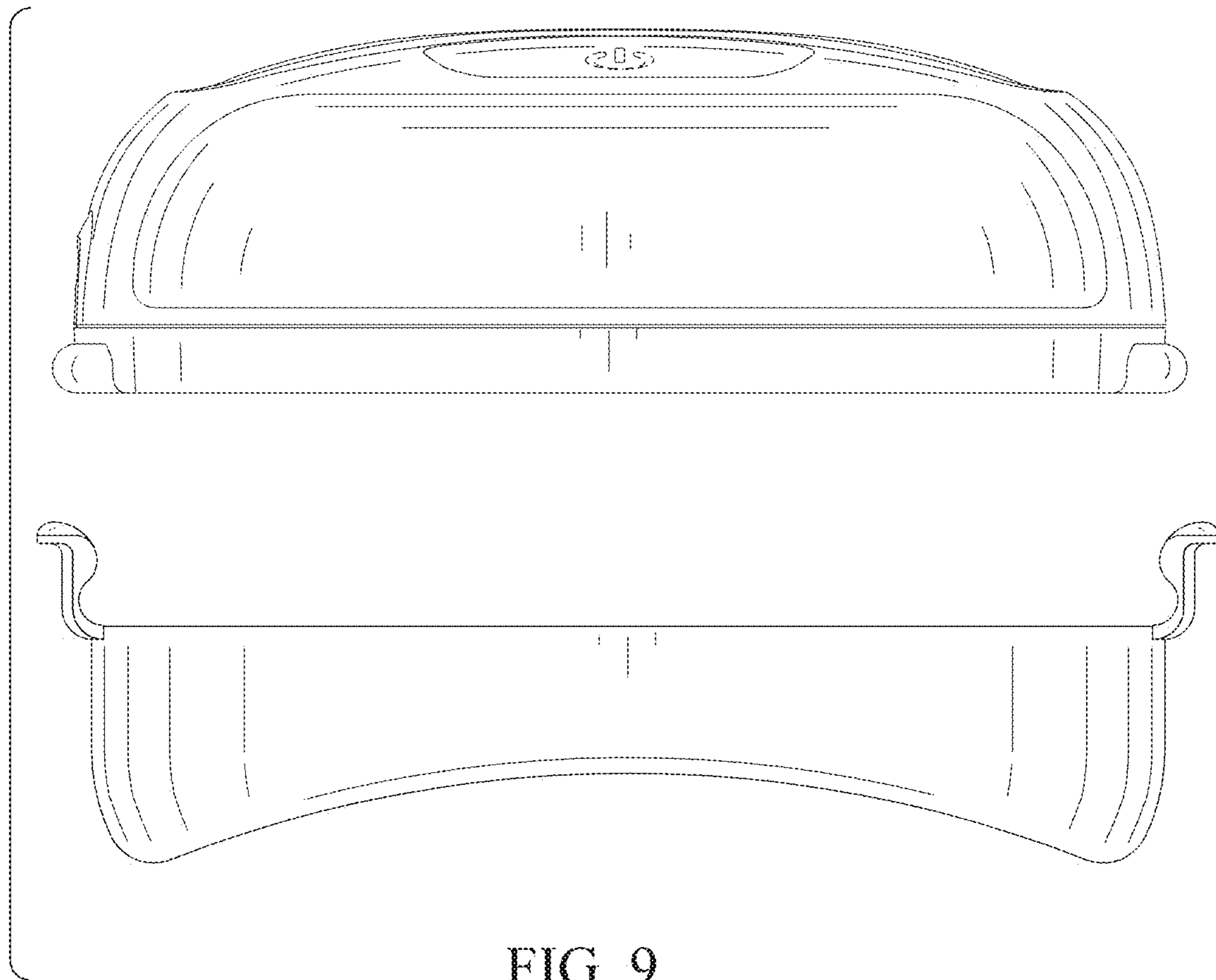


FIG. 8





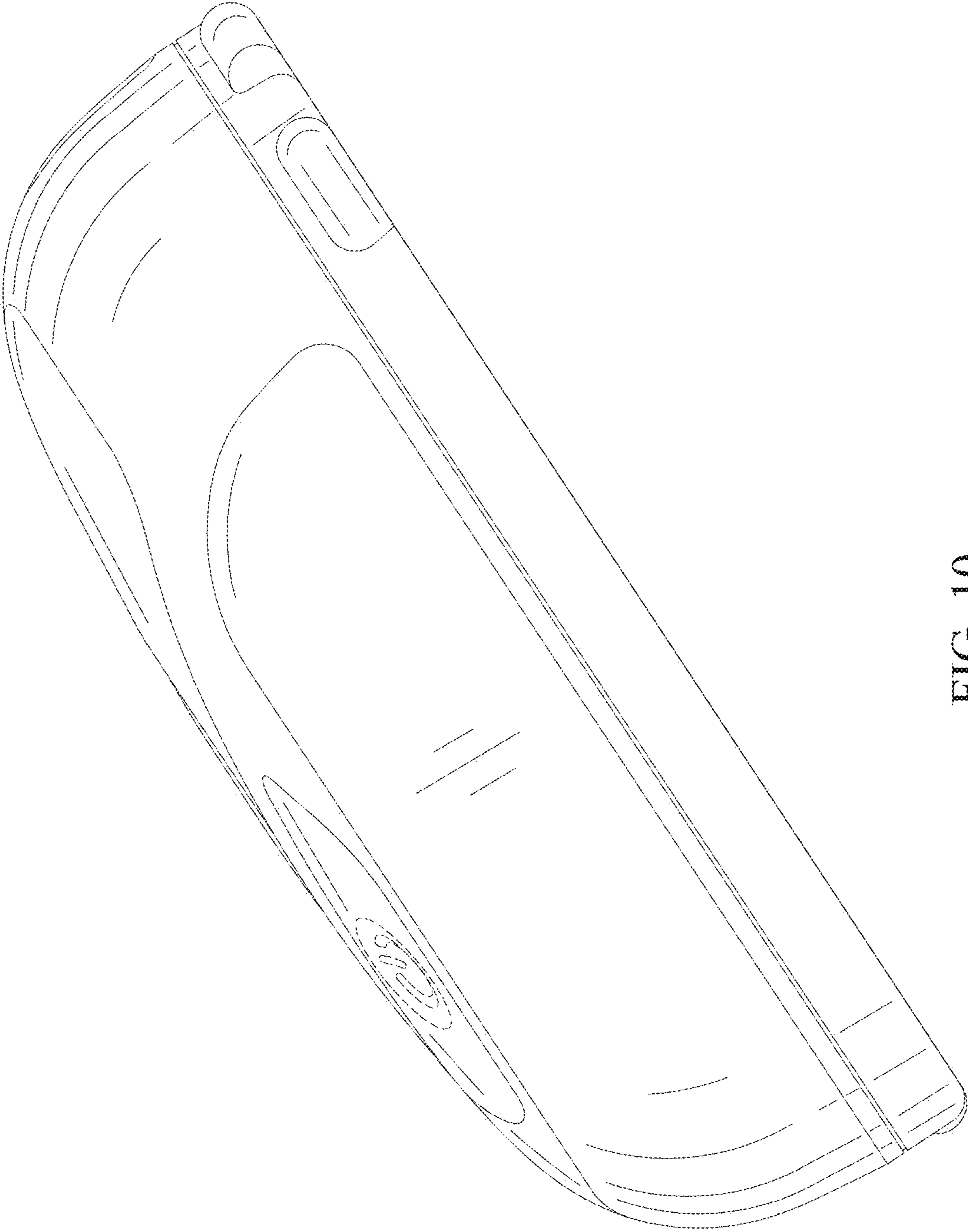


FIG. 10

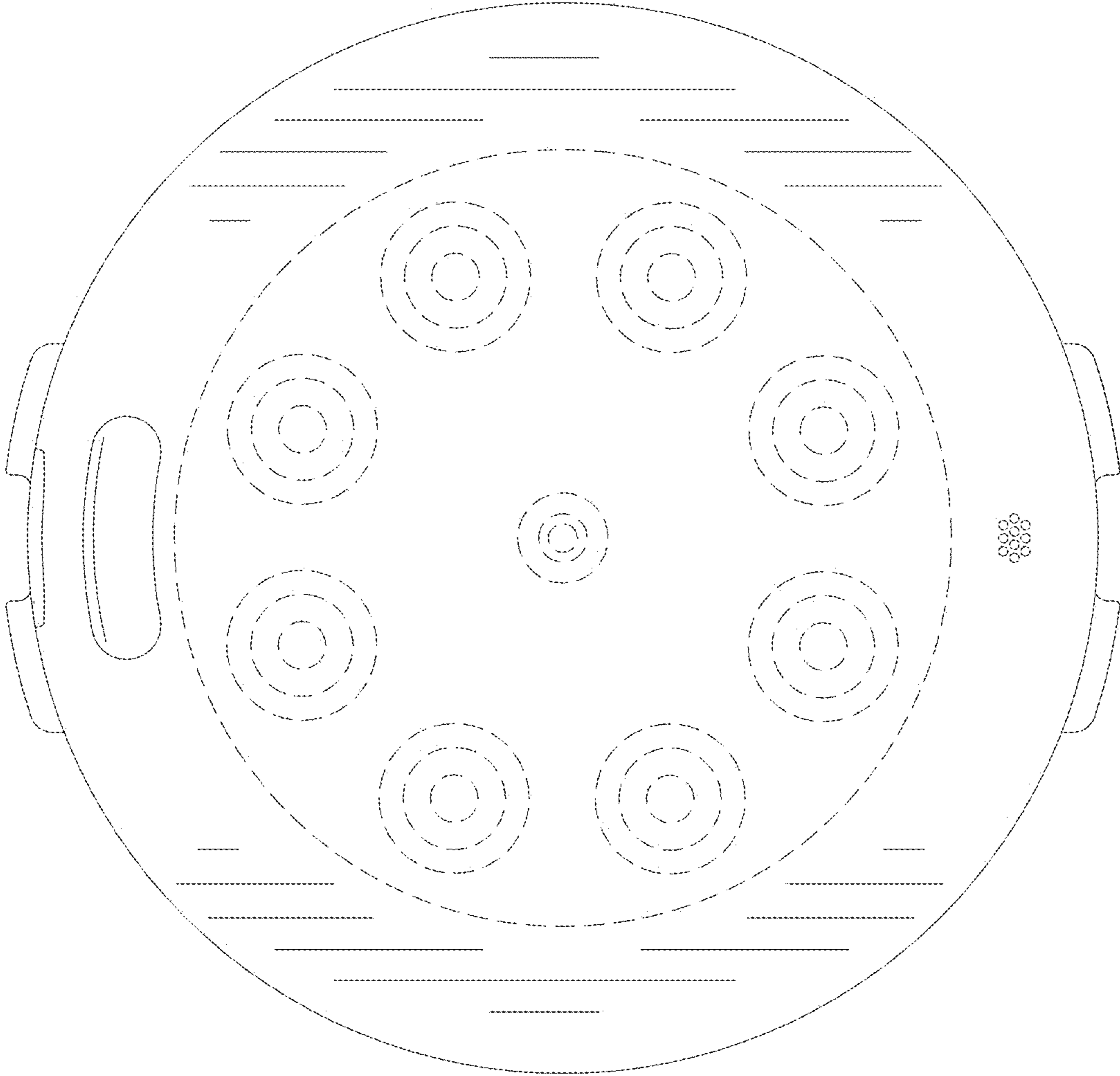


FIG. 11

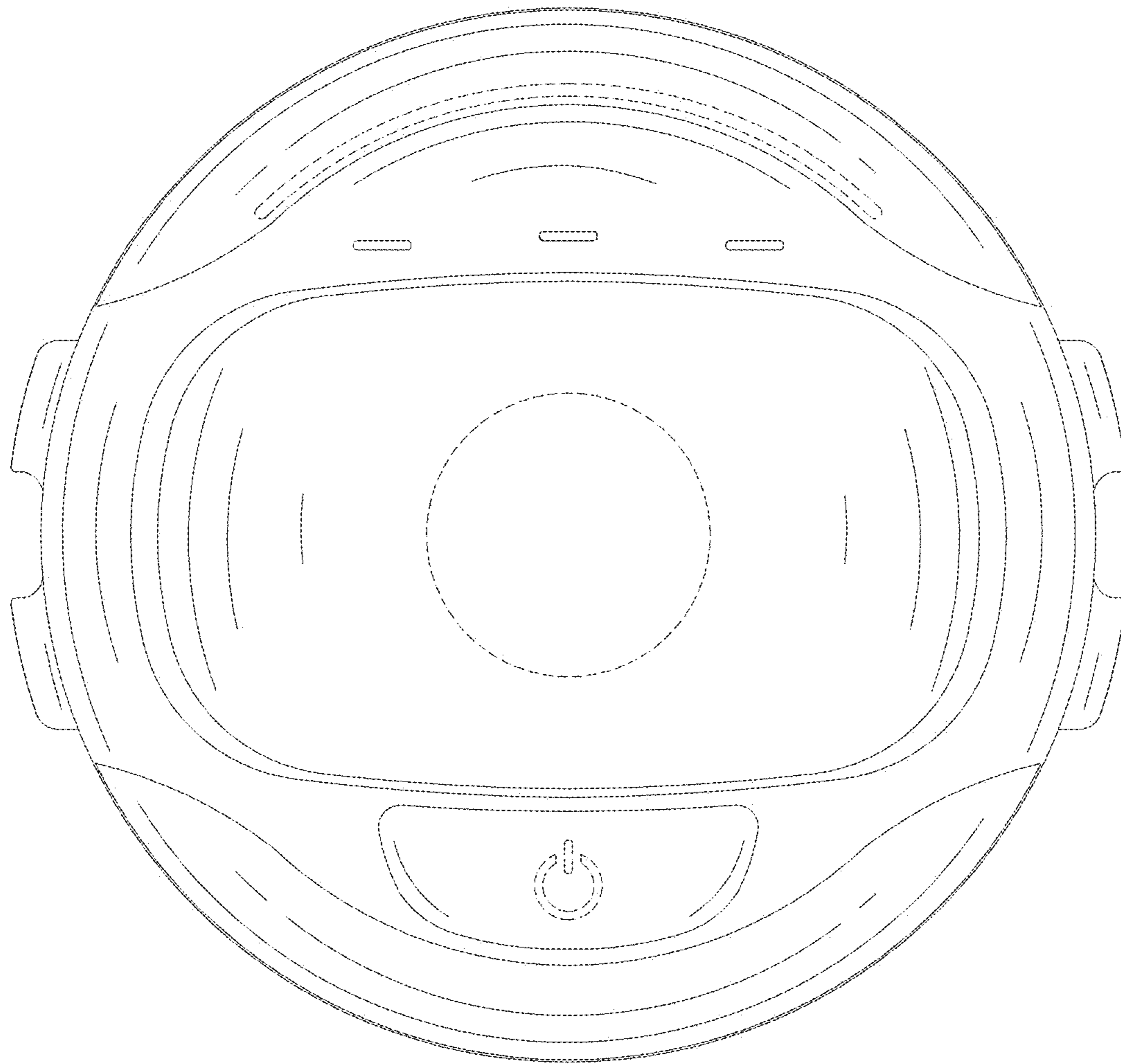


FIG. 12

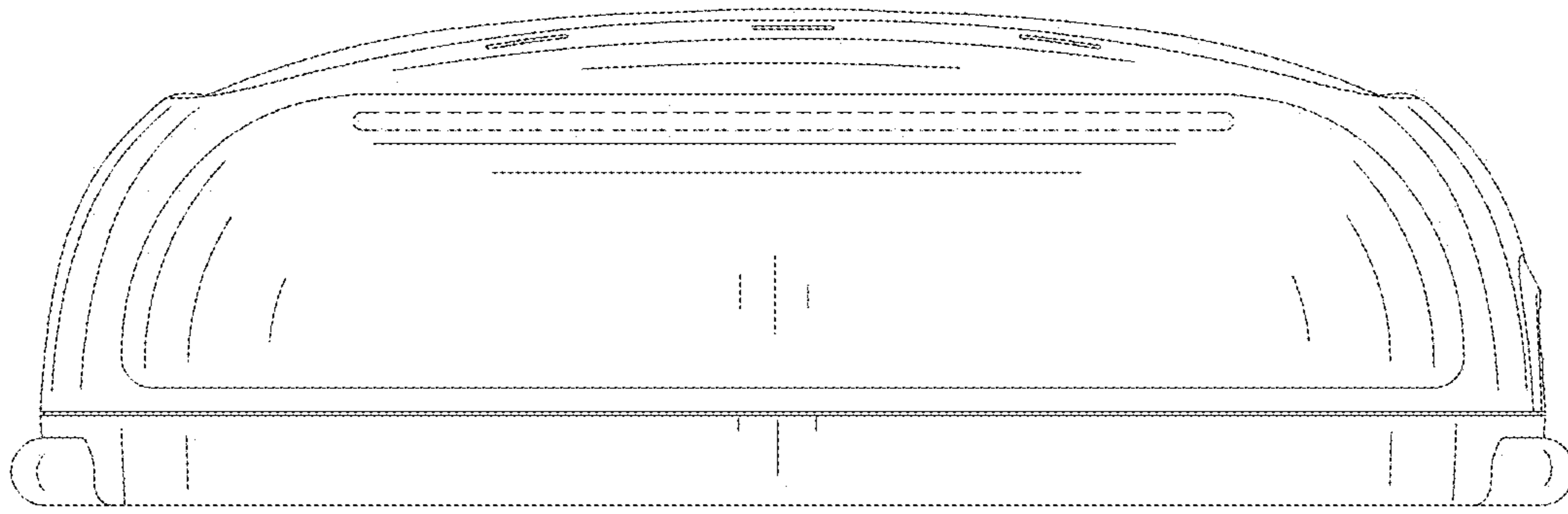


FIG. 13

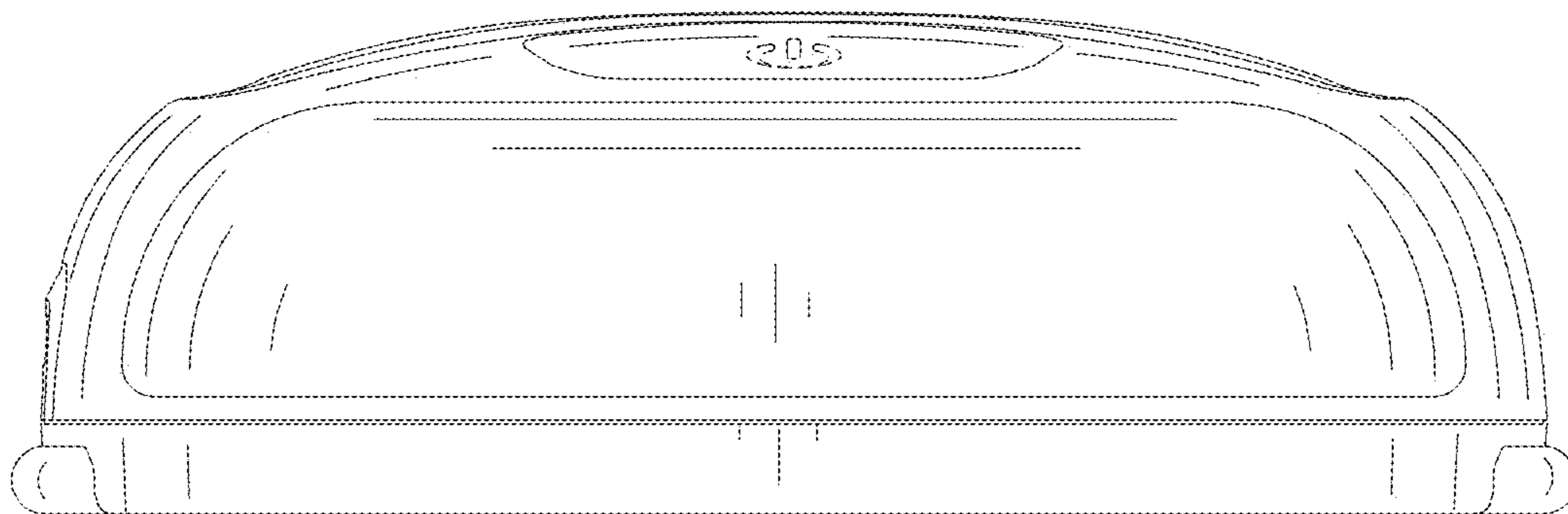


FIG. 14

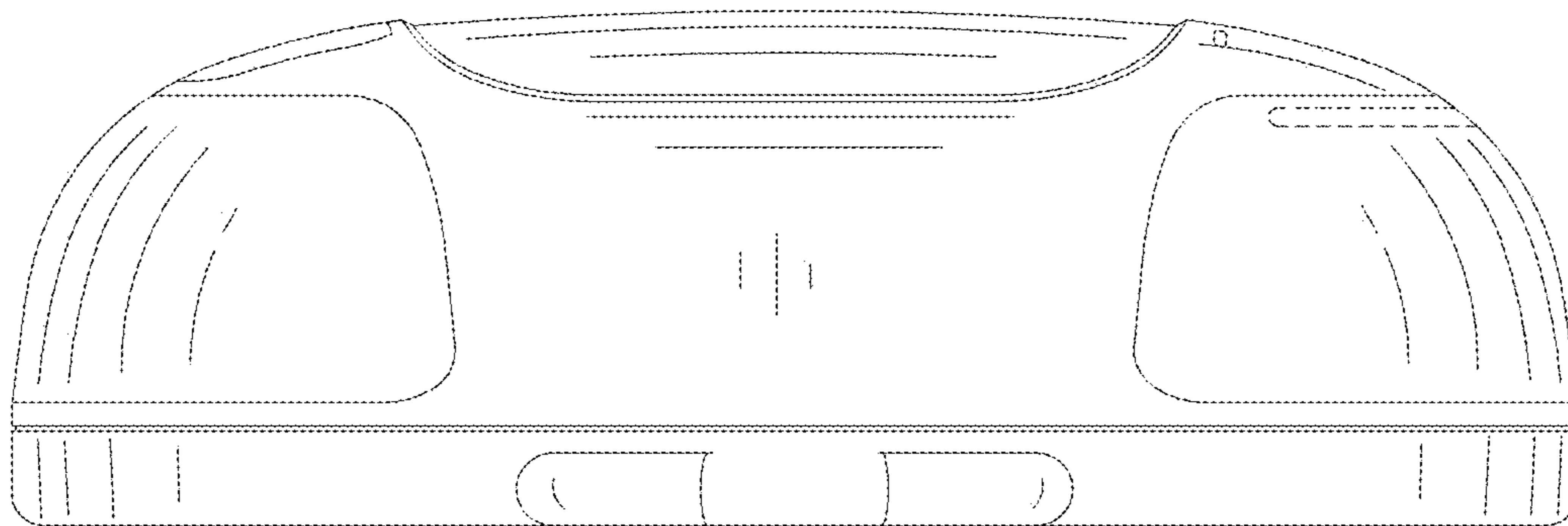


FIG. 15

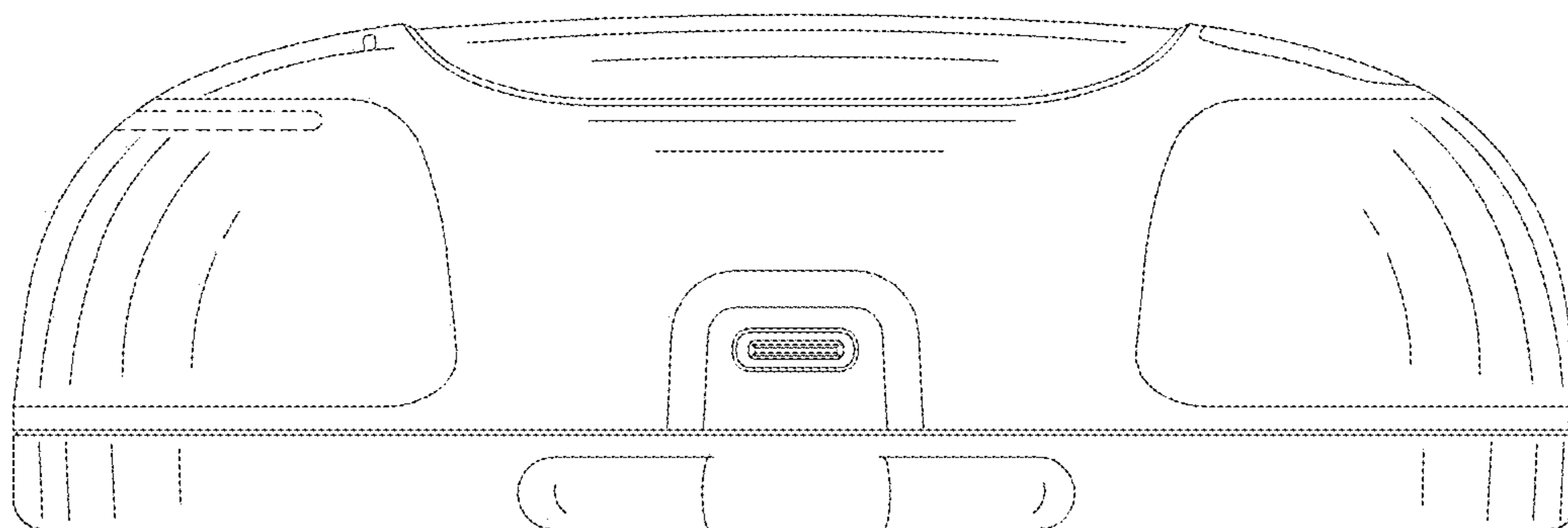


FIG. 16

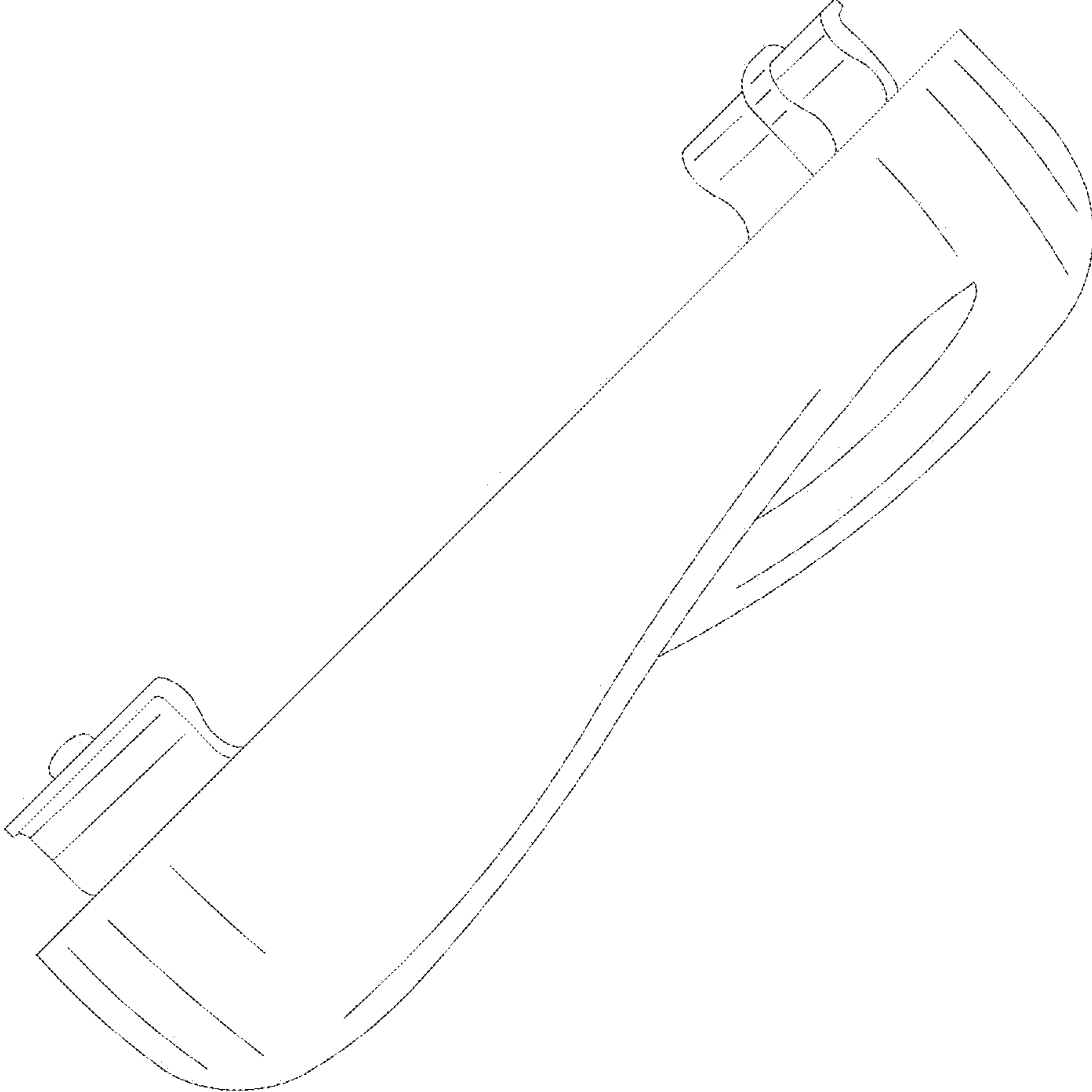


FIG. 17

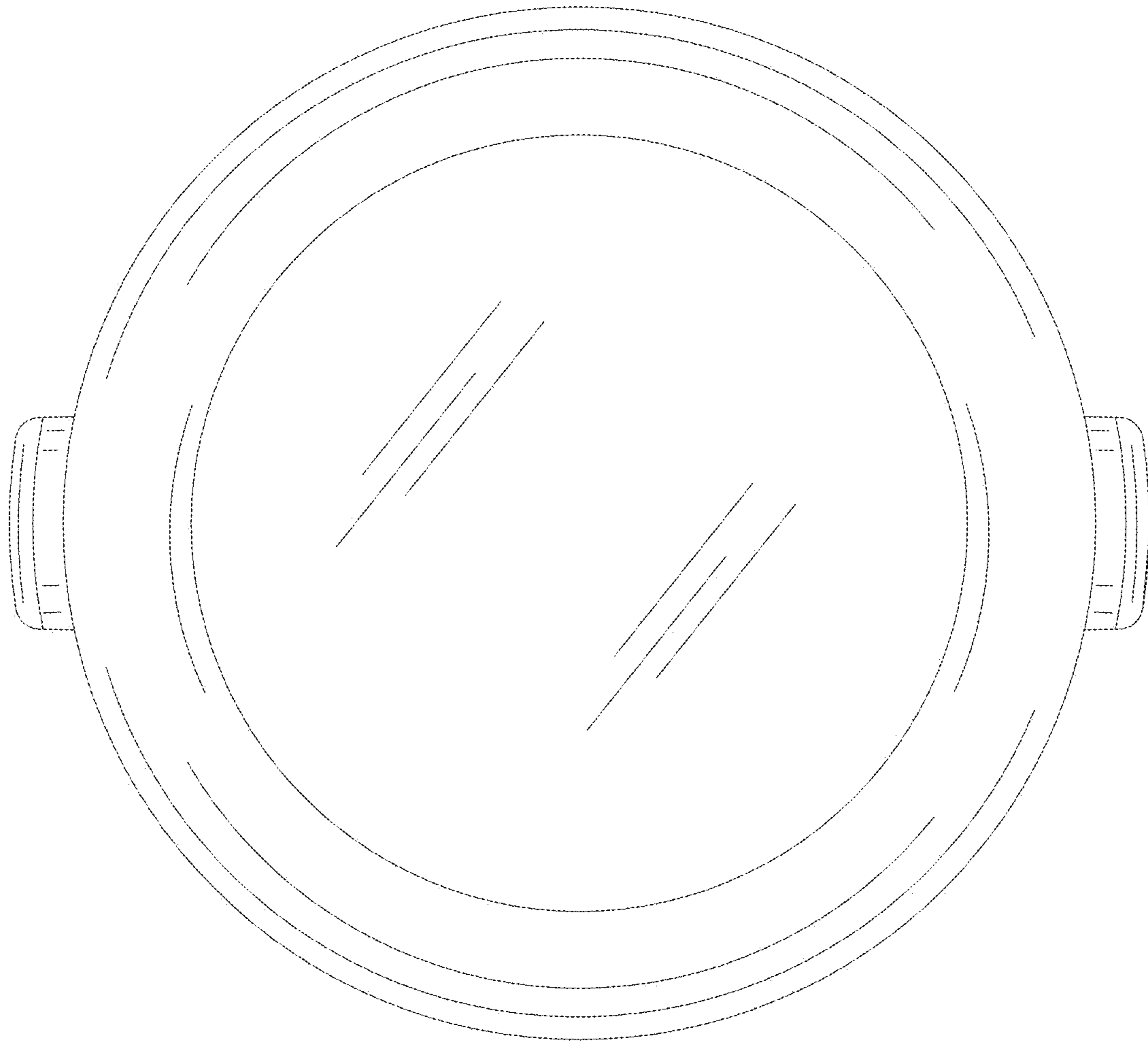


FIG. 18

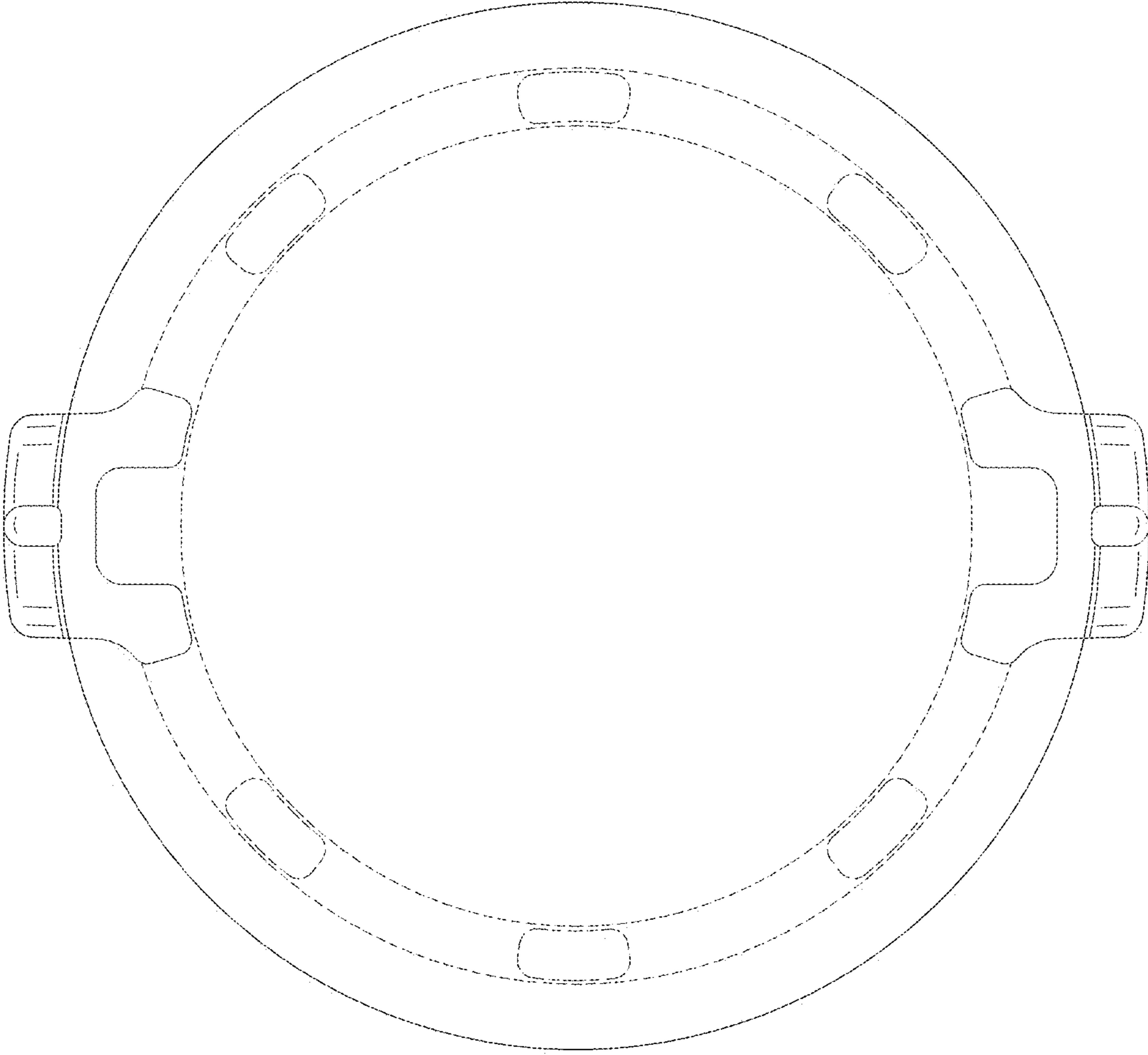


FIG. 19



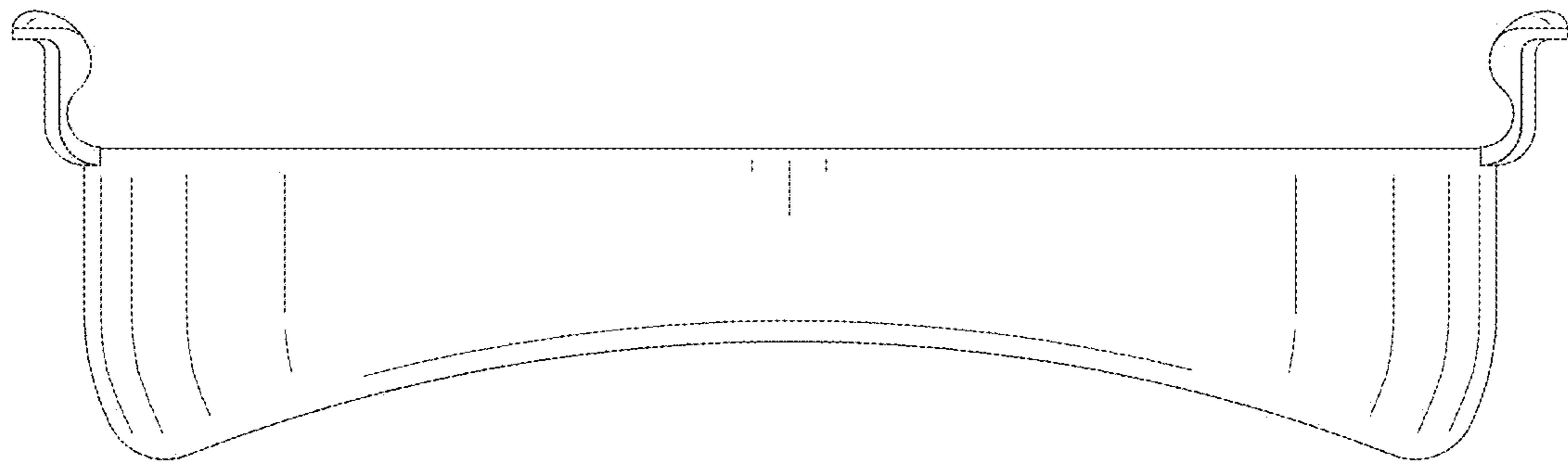


FIG. 20

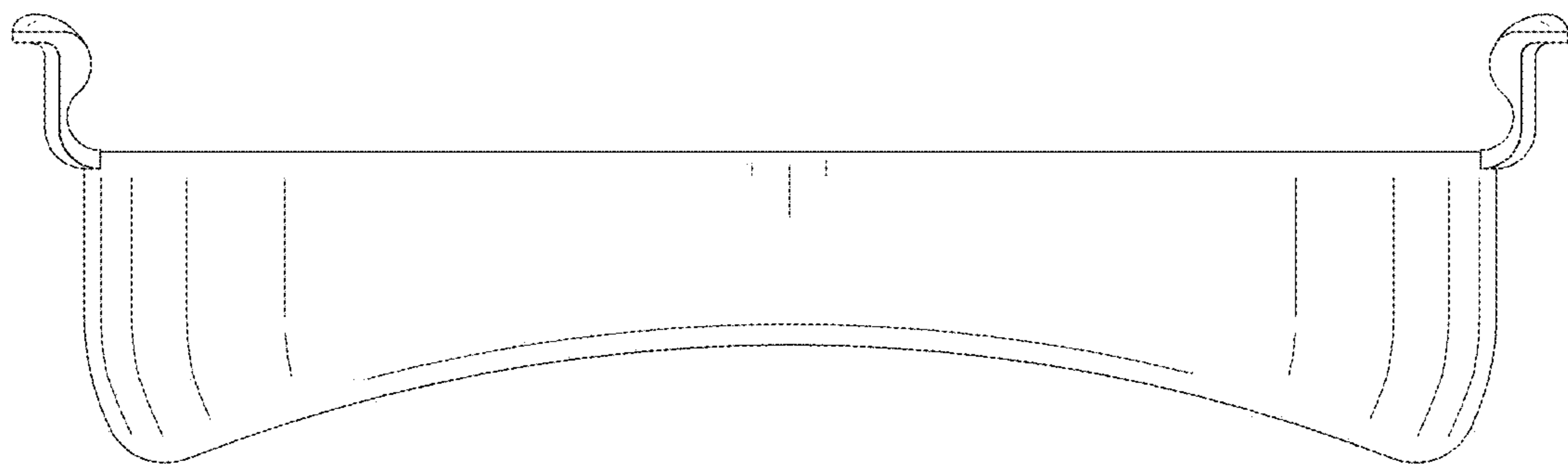


FIG. 21

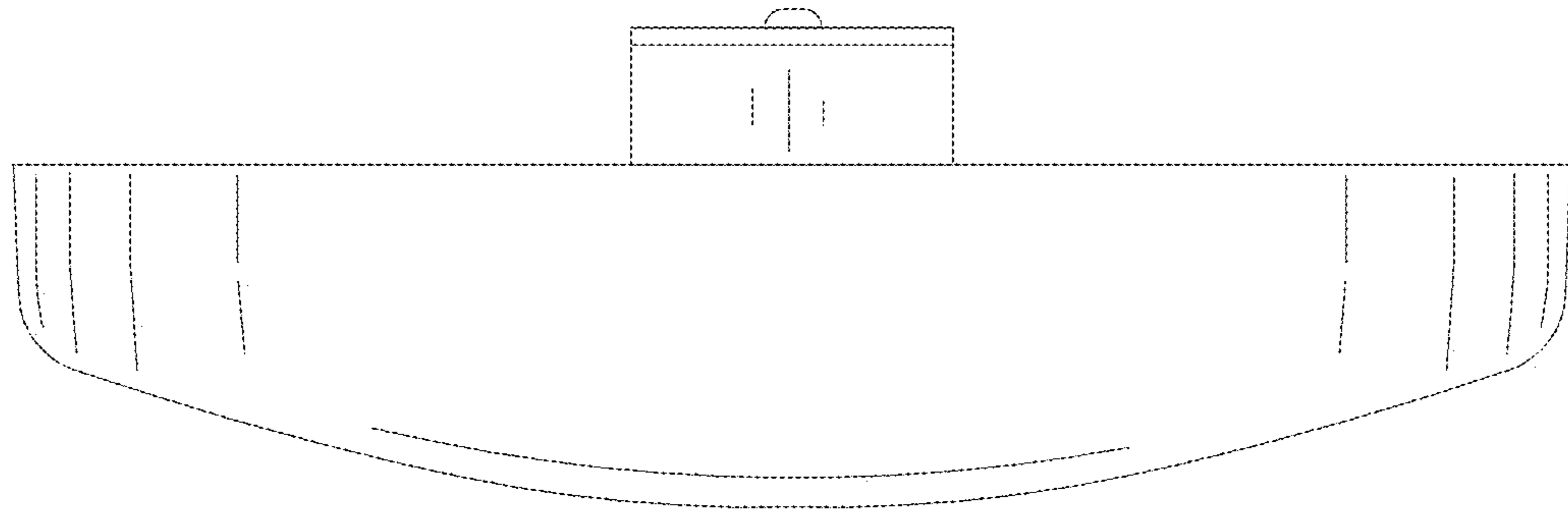


FIG. 22

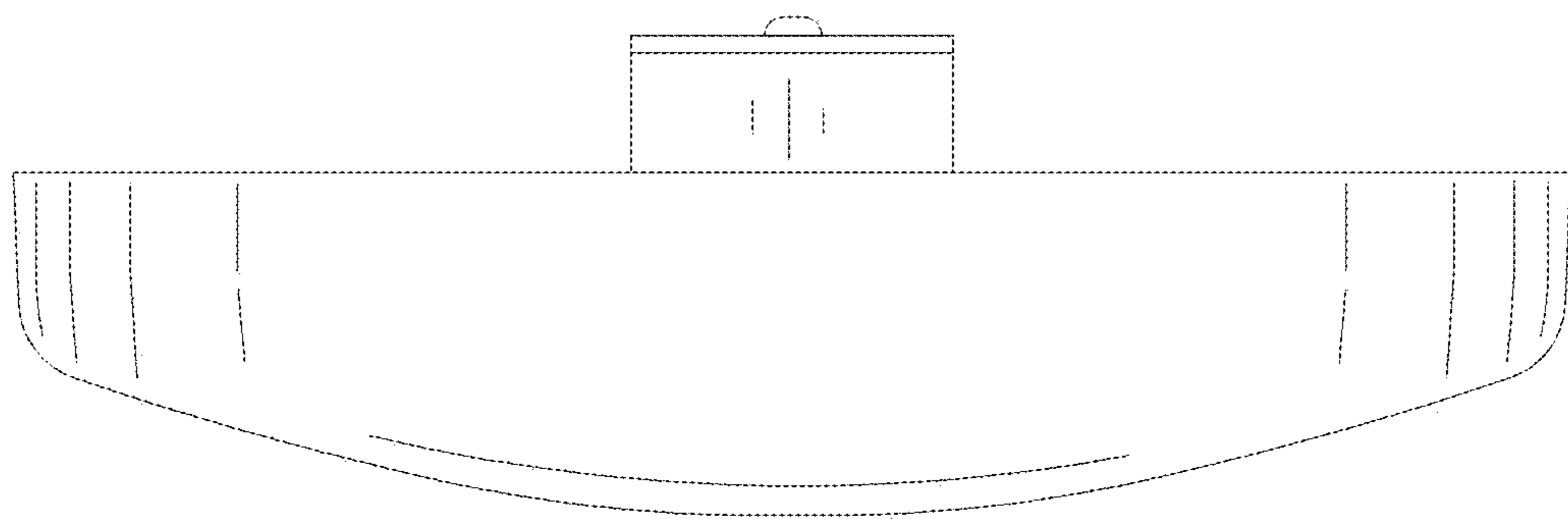


FIG. 23

UNITED STATES PATENT AND TRADEMARK OFFICE  
**CERTIFICATE OF CORRECTION**

PATENT NO. : D935,631 S  
APPLICATION NO. : 29/689487  
DATED : November 9, 2021  
INVENTOR(S) : Simon et al.

Page 1 of 1

It is certified that error appears in the above-identified patent and that said Letters Patent is hereby corrected as shown below:

On the Title Page

Item [30], insert --EM 005813839 filed on October 31, 2018--

Signed and Sealed this  
Twenty-eighth Day of December, 2021



Drew Hirshfeld  
*Performing the Functions and Duties of the  
Under Secretary of Commerce for Intellectual Property and  
Director of the United States Patent and Trademark Office*