



US00D935630S

(12) **United States Design Patent**  
**Lane et al.**

(10) **Patent No.:** **US D935,630 S**  
(45) **Date of Patent:** **\*\* Nov. 9, 2021**

- (54) **SLEEVE FOR A BABY BOTTLE**
- (71) Applicant: **Thermos L.L.C.**, Schaumburg, IL (US)
- (72) Inventors: **Marvin Lane**, Wheeling, IL (US);  
**Mikaya Wu**, Schaumburg, IL (US);  
**Dwayne Boroski**, Lake in the Hills, IL (US);  
**Lindsey Crawford**, Fairfax, CA (US)
- (73) Assignee: **Thermos L.L.C.**, Schaumburg, IL (US)

D511,836 S \* 11/2005 Morano ..... D24/197  
 D538,939 S 3/2007 Conaway et al.  
 H2200 H 9/2007 Horton  
 D567,094 S 4/2008 Bickert  
 D604,042 S \* 11/2009 Lown ..... D3/229  
 (Continued)

**FOREIGN PATENT DOCUMENTS**

CN 301766619 S 12/2011  
 JP D1641974 9/2019  
 (Continued)

(\*\*) Term: **15 Years**

**OTHER PUBLICATIONS**

- (21) Appl. No.: **29/668,791**
- (22) Filed: **Nov. 1, 2018**
- (51) **LOC (13) Cl.** ..... **07-01**
- (52) **U.S. Cl.**  
USPC ..... **D24/199**
- (58) **Field of Classification Search**  
USPC ..... D24/193, 194, 195, 196, 197, 198, 199;  
D7/392, 510, 511, 619.1; D9/516, 530,  
D9/719, 761; D3/316, 229  
CPC ..... A61J 9/00; A61J 9/001; A61J 9/06  
See application file for complete search history.

“Playtex Simply Baby Bottle”. Found online Feb. 26, 2019 at amazon.com. Reference dated Oct. 10, 2017. Retrieved from [https://www.amazon.com/Playtex-Simply-Bottle-Leak-Proof-Ounce/dp/B06XCW5BQR/ref=sr\\_1\\_25?keywords=mace%2Bbaby&qid=1551209940&s=baby-products&sr=1-25&th=1.\\*](https://www.amazon.com/Playtex-Simply-Bottle-Leak-Proof-Ounce/dp/B06XCW5BQR/ref=sr_1_25?keywords=mace%2Bbaby&qid=1551209940&s=baby-products&sr=1-25&th=1.*)

(Continued)

*Primary Examiner* — Kendra Leslie Hamilton  
 (74) *Attorney, Agent, or Firm* — MLO, a professional corp.

(56) **References Cited**

(57) **CLAIM**

The ornamental design for a sleeve for a baby bottle, as shown and described.

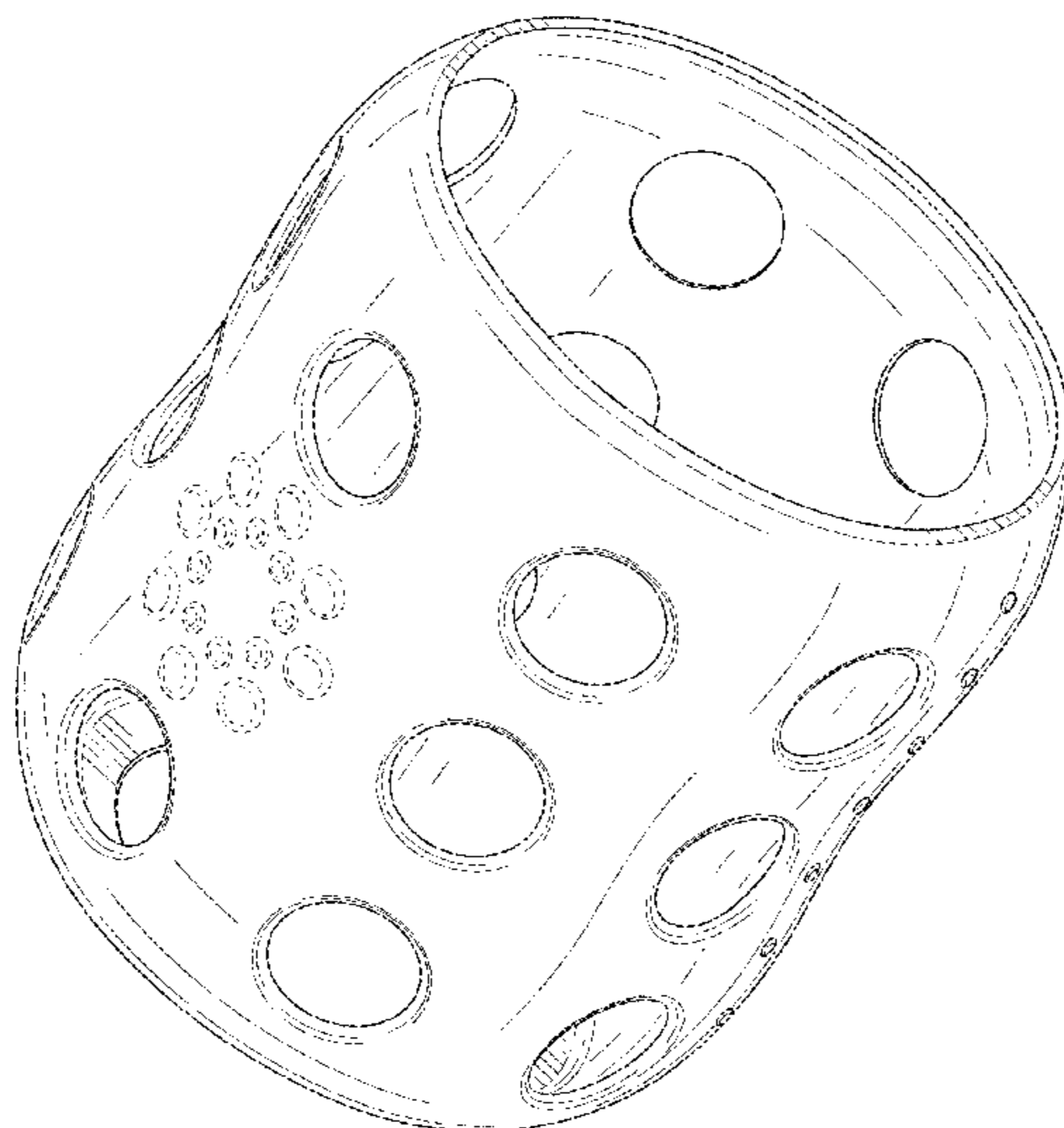
**U.S. PATENT DOCUMENTS**

**DESCRIPTION**

- D78,014 S 3/1929 Dunbar
- D206,889 S 2/1967 Benes
- 3,374,298 A 3/1968 Studen
- D216,096 S 11/1969 Lawton
- D267,332 S 12/1982 Pirovano et al.
- 4,510,665 A 4/1985 Scheurer
- 4,821,896 A \* 4/1989 Cheng ..... A61J 9/001  
215/11.3
- 5,269,368 A 12/1993 Schneider et al.
- D413,983 S \* 9/1999 Shaw ..... D24/199
- D420,448 S 2/2000 Brown et al.
- 6,041,952 A 3/2000 Martin
- 6,464,100 B2 10/2002 Canfield
- D470,593 S \* 2/2003 Iodice ..... D24/197
- D492,547 S 7/2004 Hsu

FIG. 1 is a top, rear, left perspective view of a sleeve for a baby bottle, showing our new design;  
 FIG. 2 is a front elevation view thereof;  
 FIG. 3 is a rear elevation view thereof;  
 FIG. 4 is a right elevation view thereof;  
 FIG. 5 is a left elevation view thereof;  
 FIG. 6 is a top plan view thereof; and,  
 FIG. 7 is a bottom plan view thereof.  
 In the drawings, the broken lines depict environmental structure and form no part of the claimed design.

**1 Claim, 7 Drawing Sheets**



(56)

References Cited

U.S. PATENT DOCUMENTS

D609,528 S 2/2010 Roehrig et al.  
 D612,687 S 3/2010 Gilbert et al.  
 D615,816 S 5/2010 Joy et al.  
 D621,259 S 8/2010 Joy et al.  
 D623,899 S 9/2010 Baratte  
 7,798,347 B2 9/2010 Rees  
 D625,423 S 10/2010 MacKay et al.  
 D629,259 S 12/2010 Joy et al.  
 D634,159 S 3/2011 Bodum  
 D635,685 S 4/2011 Hendricks et al.  
 D644,072 S 8/2011 McDonald et al.  
 D644,334 S 8/2011 Py  
 D650,233 S \* 12/2011 Roehrig ..... D24/197  
 8,579,133 B2 11/2013 Marcus et al.  
 D696,080 S 12/2013 Joy  
 D696,410 S \* 12/2013 Tollman ..... D24/197  
 8,608,018 B2 12/2013 Babinsky et al.  
 D700,806 S 3/2014 Joy  
 D701,091 S 3/2014 Joy  
 D752,765 S 3/2016 Taylor et al.  
 D761,623 S \* 7/2016 Leimone ..... D7/507  
 D772,021 S 11/2016 Joy  
 D777,938 S 1/2017 Roaks  
 D781,113 S \* 3/2017 Kocsis ..... D7/624.2  
 D836,459 S \* 12/2018 Thuesen ..... D9/716  
 D838,139 S 1/2019 Cudworth  
 2004/0256345 A1 12/2004 Lundquist  
 2006/0213855 A1 9/2006 Kraus et al.  
 2008/0078824 A1 4/2008 Spriegel et al.  
 2009/0057257 A1 3/2009 Marcus et al.  
 2011/0056968 A1 \* 3/2011 McNamara ..... A47G 19/2272  
 220/714  
 2014/0069888 A1 \* 3/2014 Warden ..... A61J 9/08  
 215/386  
 2015/0290086 A1 10/2015 Prentice et al.  
 2016/0310367 A1 10/2016 Lin  
 2019/0110956 A1 \* 4/2019 Smith ..... A61J 11/045

FOREIGN PATENT DOCUMENTS

KR 3006864140000 3/2013  
 KR 3006945520000 5/2013

TW D132873 1/2010  
 TW D157307 11/2013  
 WO 2009032951 A1 3/2009

OTHER PUBLICATIONS

“Dr Brown’s: Protective Bottle Sleeve”. Found online Jan. 3, 2014 at amazon.com. Reference dated Mar. 4, 2011. Retrieved from [http://www.amazon.com/Protective-Bottle-Sleeve-Pink-pack/dp/B009CASEMK/ref=cm\\_cr\\_pr\\_product\\_top](http://www.amazon.com/Protective-Bottle-Sleeve-Pink-pack/dp/B009CASEMK/ref=cm_cr_pr_product_top).\*  
 “The First Years: Breastfow Bottle”. Found online Feb. 12, 2018 at amazon.com. Reference dated Jun. 14, 2009. Retrieved from [https://www.amazon.com/First-Years-Breastflow-Bottle-Ounce/dp/B001QVG9YS/ref=cm\\_cr\\_arp\\_d\\_product\\_top?ie=UTF8&th=1](https://www.amazon.com/First-Years-Breastflow-Bottle-Ounce/dp/B001QVG9YS/ref=cm_cr_arp_d_product_top?ie=UTF8&th=1).\*  
 “Pura Kiki Pebble Silicone Bottle Sleeve”. Found online Jan. 3, 2014 at amazon.com. Reference dated Feb. 10, 2012. Retrieved from [http://www.amazon.com/Pura-Kiki-Pebble-Silicone-Bottle/dp/B0067VJ85E/ref=cm\\_cr\\_pr\\_product\\_top](http://www.amazon.com/Pura-Kiki-Pebble-Silicone-Bottle/dp/B0067VJ85E/ref=cm_cr_pr_product_top).\*  
 “BabyLife: Protective Sleeves for Containers”. Found online Mar. 4, 2021 at patentscope.wipo.int. Reference dated Mar. 12, 2009. Retrieved from <https://patentscope.wipo.int/search/en/detail.jsf?docId=WO2009032951&tab=PCTBIBLIO>.\*  
 Office Action dated Dec. 12, 2019 for Republic of Korea Patent Application No. 30-2019-0020600.  
 Office Action dated Oct. 23, 2019 for Taiwan Patent application No. 108302332.  
 Office Action dated Oct. 23, 2019 for Taiwan Patent application No. 108302335.  
 Baby, Lifefactory.com, Accessed Online on Nov. 1, 2018: <https://www.lifefactory.com/collections/baby>.  
 Lifefactory, Small Beverage Glass 2-pack, publication date unknown, [site visited Jun. 20, 2016], Available on the InternetURL: <<https://www.lifefactory.com/product/small-bev-glass-2-pack-cobalt>>.  
 Notice of Allowance dated Jul. 20, 2016 for Design U.S. Appl. No. 29/511,293.  
 Notice of Allowance dated Jul. 28, 2016 for Design U.S. Appl. No. 29/511,296.  
 Office Action dated Nov. 2, 2015 for Australian Design Patent Registration No. 362270.  
 Office Action dated Nov. 2, 2015 for Australian Design Patent Registration No. 362271.  
 Office Action dated Apr. 6, 2021 for U.S. Appl. No. 29/652,817.

\* cited by examiner

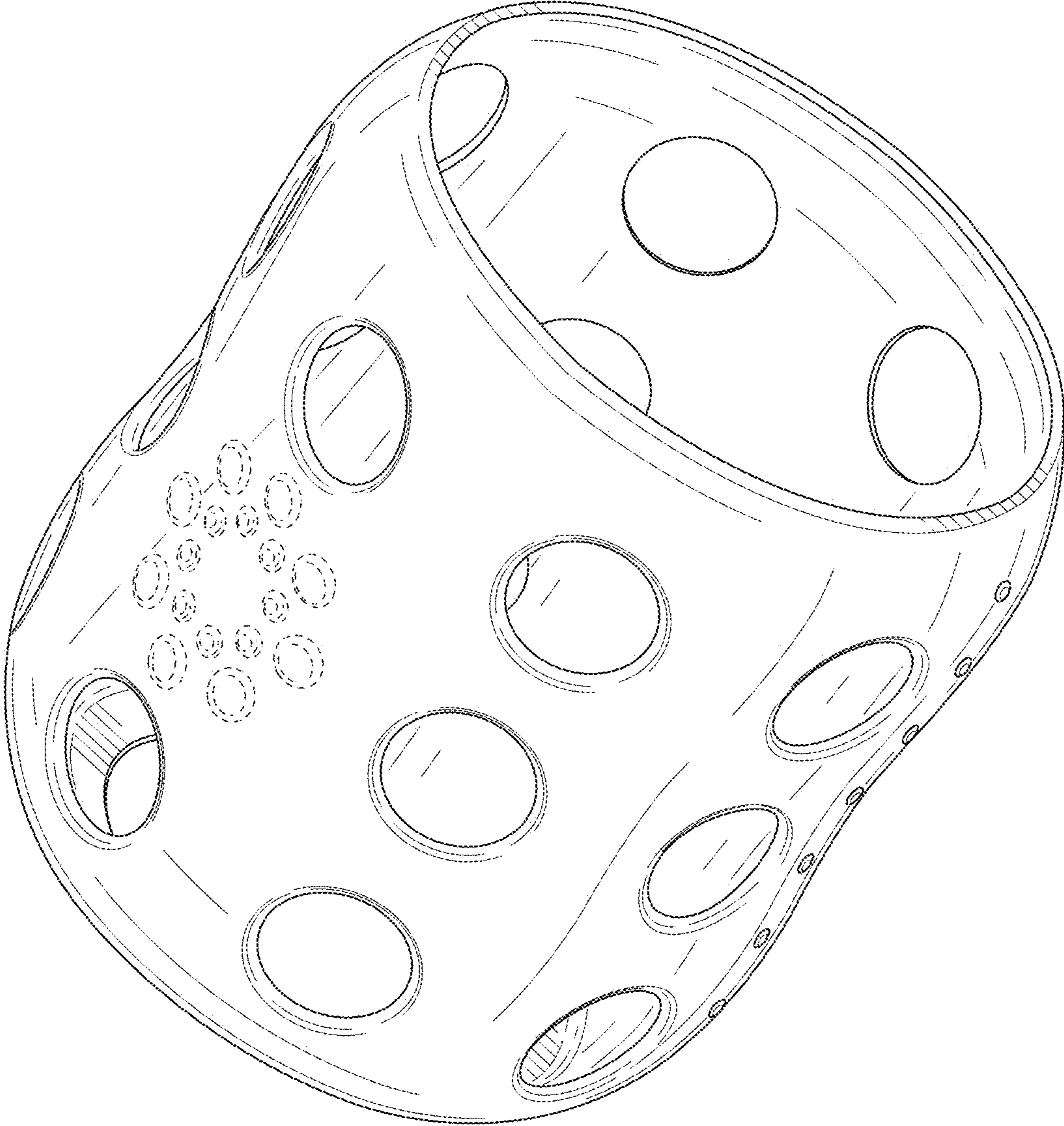


FIG. 1

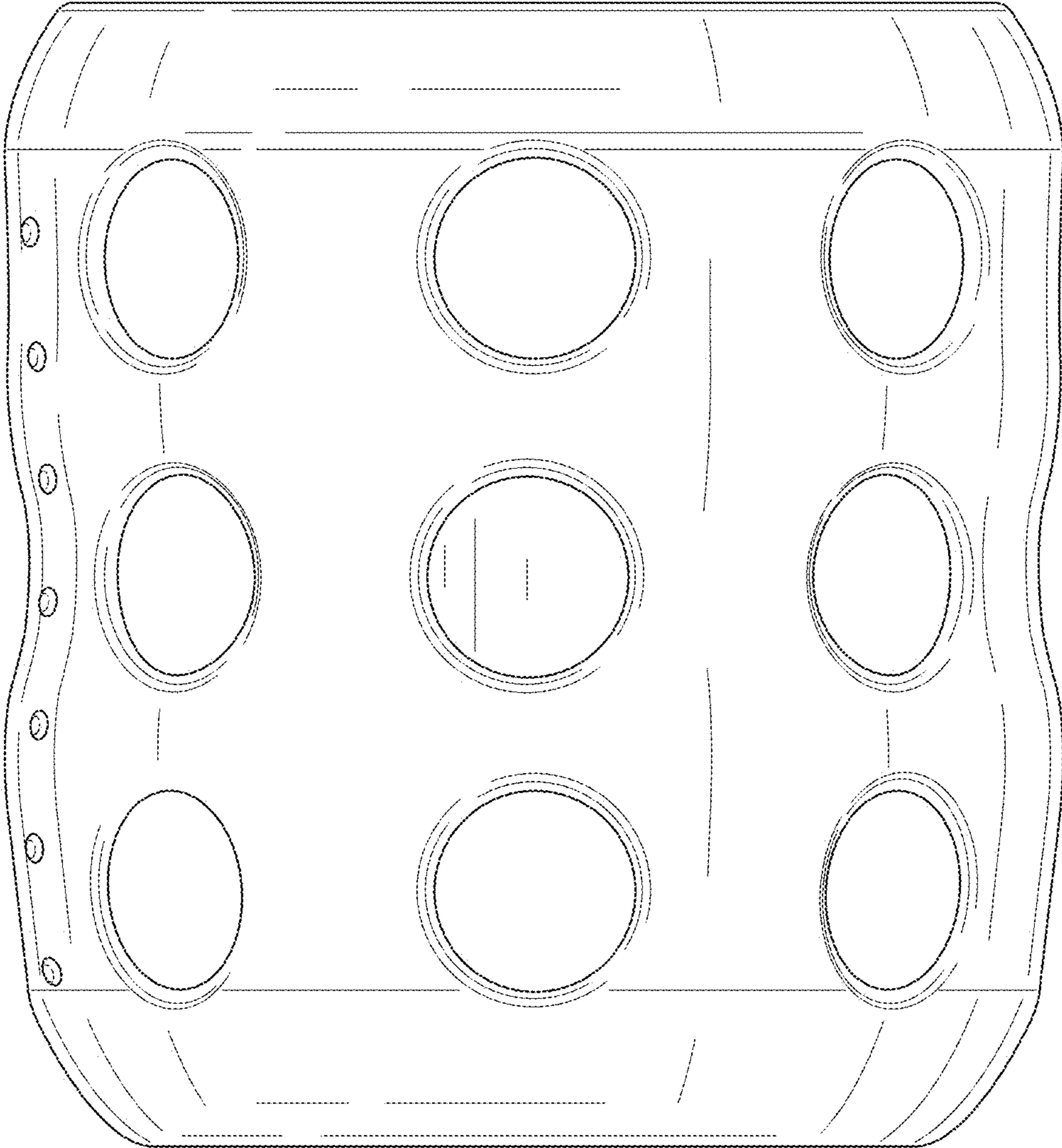


FIG. 2

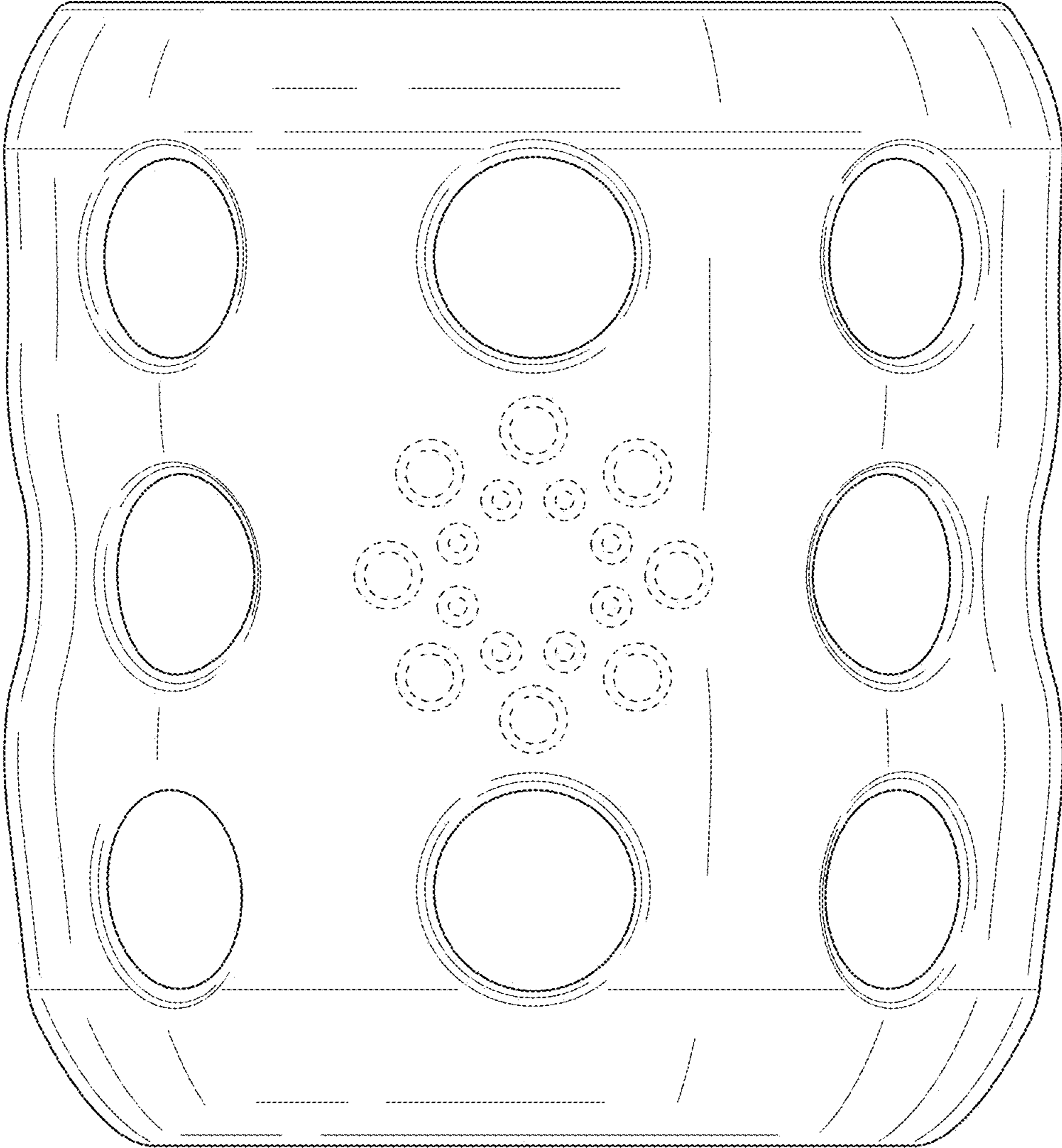


FIG. 3

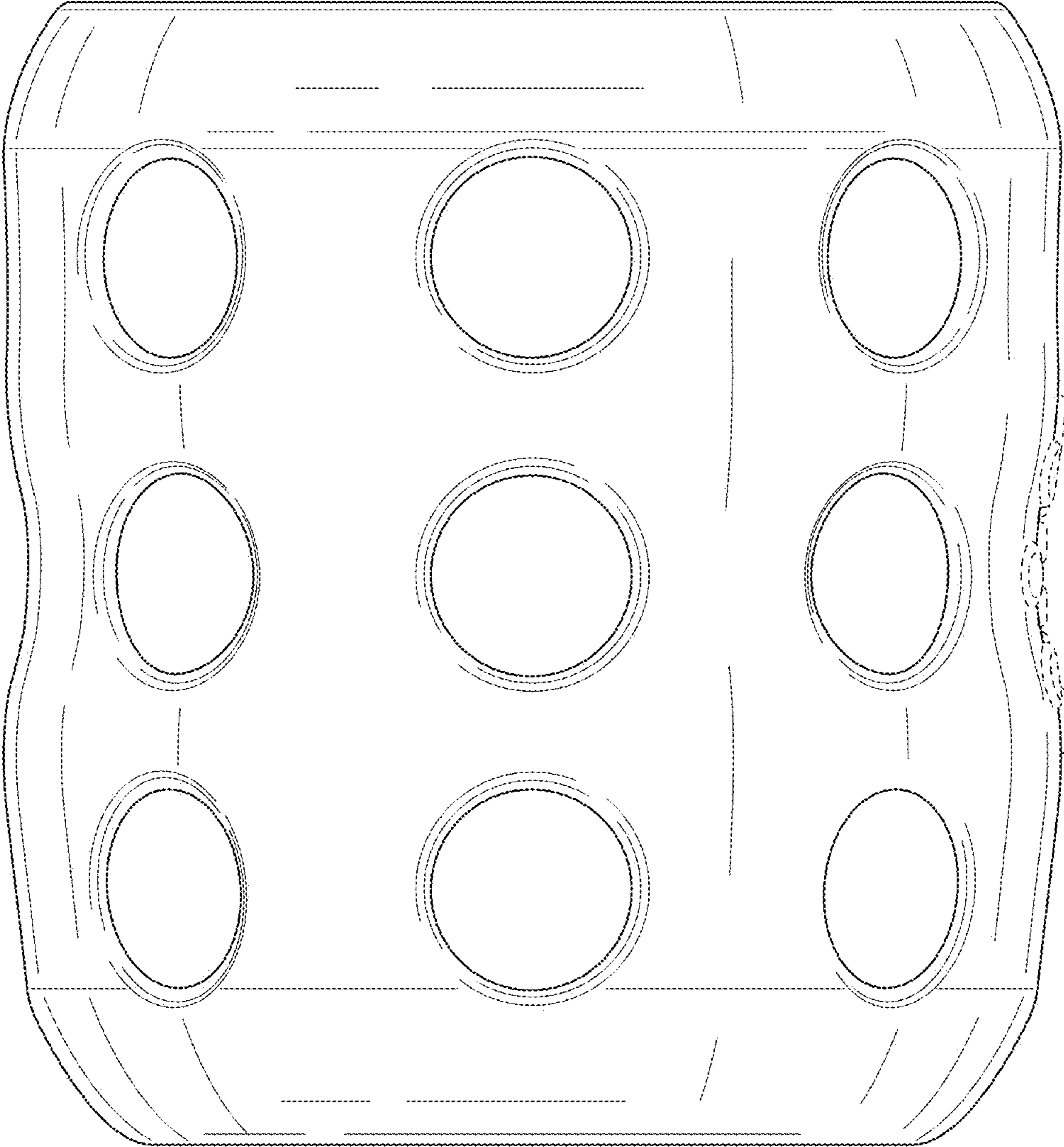


FIG. 4

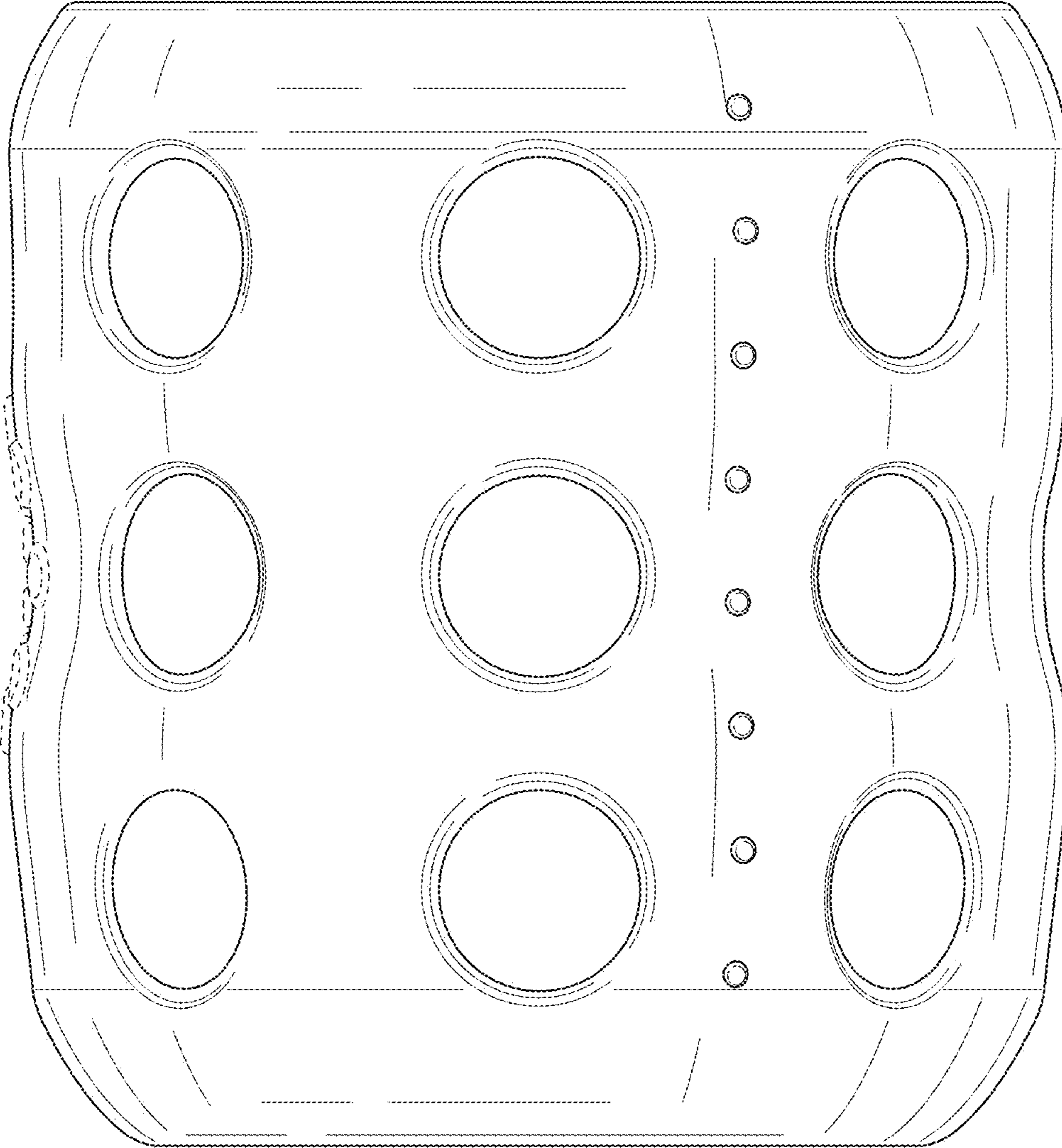


FIG. 5

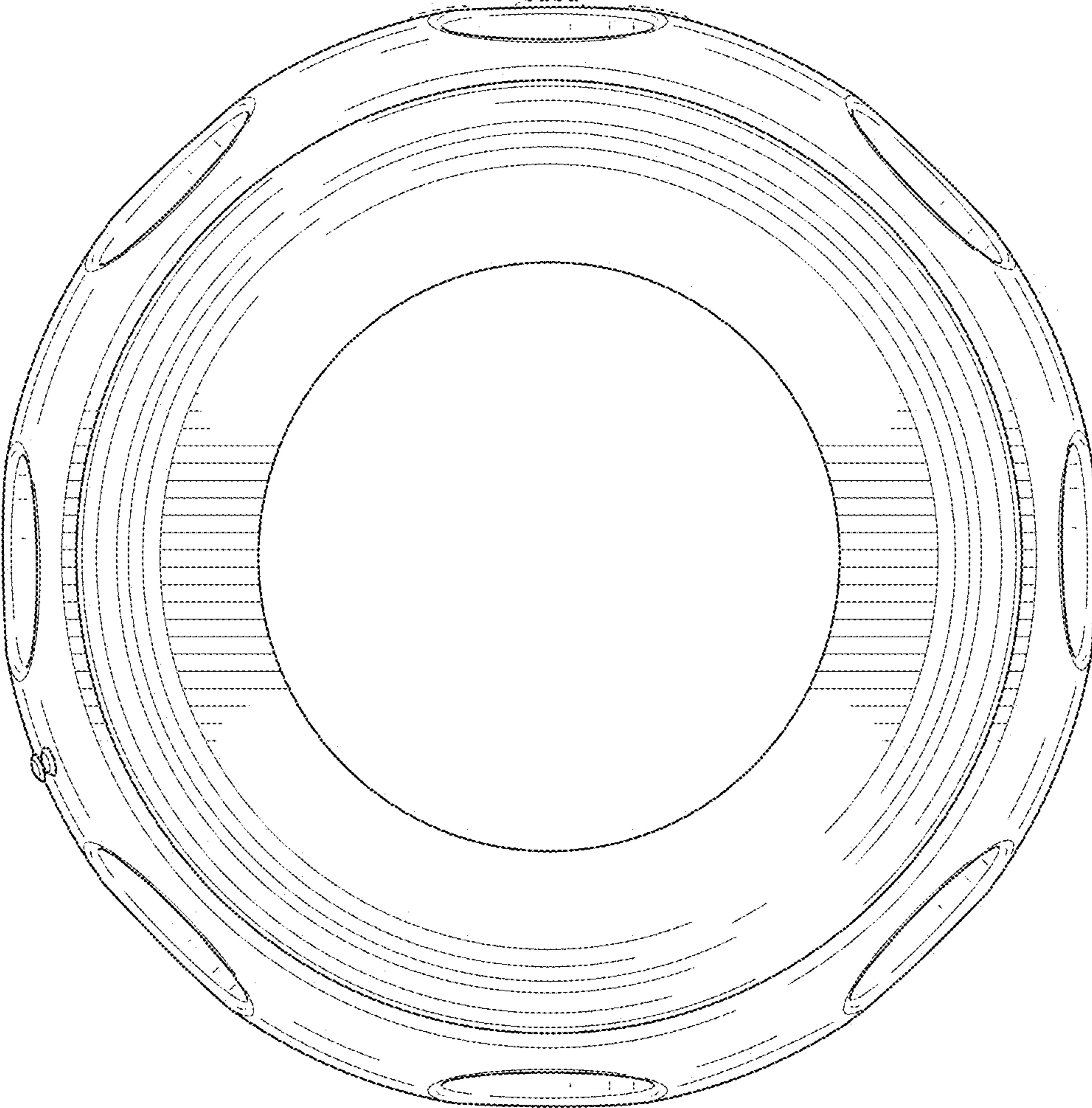


FIG. 6



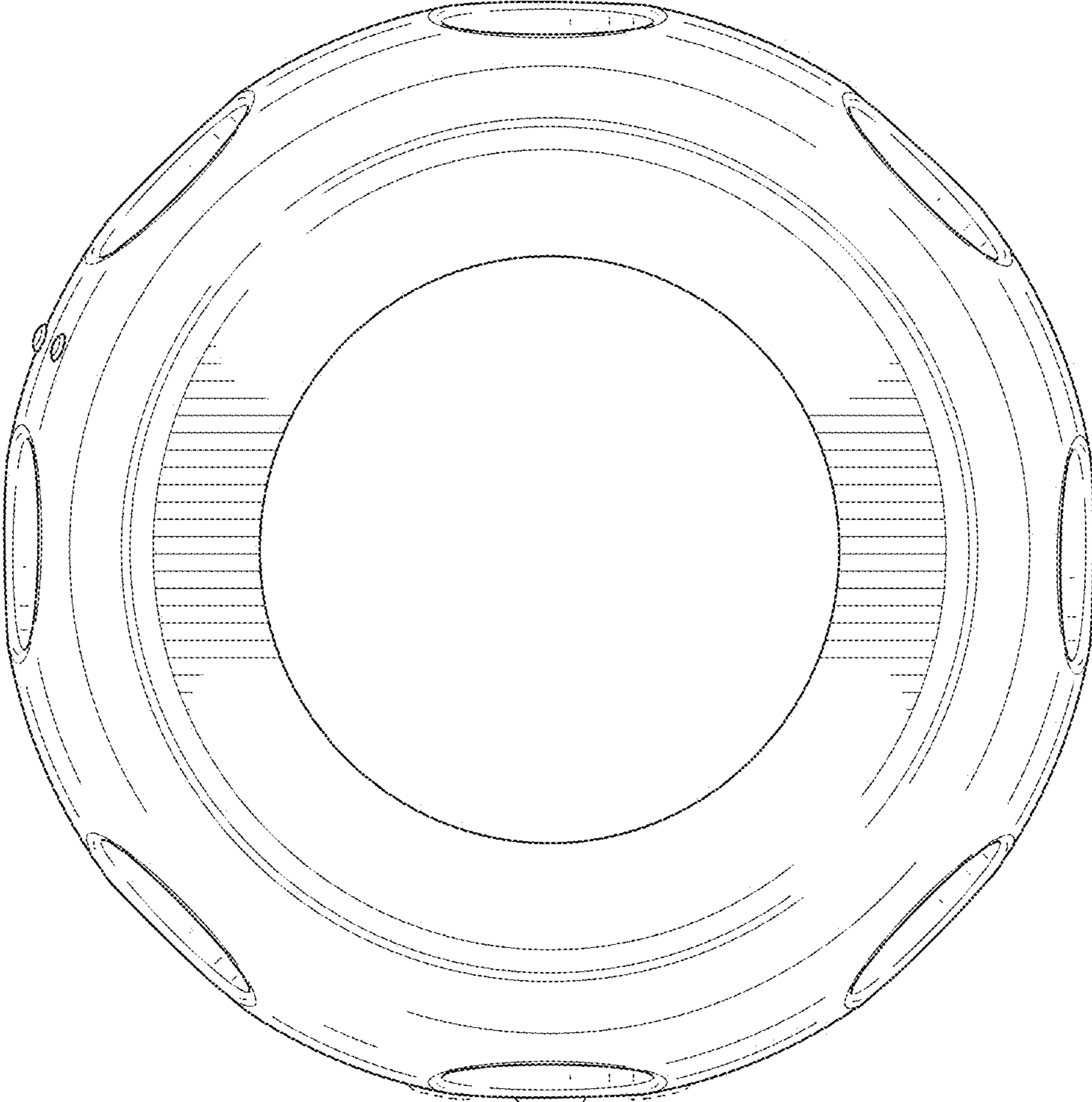


FIG. 7