



US00D935626S

(12) **United States Design Patent** (10) **Patent No.:** **US D935,626 S**
Zhang (45) **Date of Patent:** **** Nov. 9, 2021**

(54) **WRIST BRACE**
(71) Applicant: **Shenzhen Feibuyi Network Technology Co., Ltd., Shenzhen (CN)**
(72) Inventor: **Xu Zhang, Shenzhen (CN)**
(**) Term: **15 Years**
(21) Appl. No.: **29/770,598**
(22) Filed: **Feb. 13, 2021**
(51) **LOC (13) Cl.** **24-01**
(52) **U.S. Cl.**
USPC **D24/190**
(58) **Field of Classification Search**
USPC D24/190; D29/120.1, 120.2
CPC A61F 5/0118; A61F 13/04; A61F 13/085;
A61F 5/01; A61F 5/05866; A61H 9/0078;
A61H 9/0092; A41D 13/088; A41D
13/08; A41D 13/081
See application file for complete search history.

D581,539 S * 11/2008 Rotter D24/190
D608,895 S * 1/2010 Farrell D24/190
D767,774 S * 9/2016 Wellendorf D24/190
D770,633 S * 11/2016 Tanaka D24/190
D808,027 S * 1/2018 Lane D24/190
D835,288 S * 12/2018 Erwin D24/190
D835,792 S * 12/2018 Erwin D24/190
D848,005 S * 5/2019 Adams D24/190
D858,896 S * 9/2019 Chang D29/120.1
D886,306 S * 6/2020 Larouche D24/190
D900,326 S 10/2020 Woo
2005/0096575 A1* 5/2005 Weaver, II A61F 5/0118
602/21
2005/0273030 A1* 12/2005 Koby A61F 5/0118
602/60
2018/0055672 A1* 3/2018 Erwin A61F 5/0118

* cited by examiner

Primary Examiner — Jennifer L Watkins

(57) **CLAIM**

The ornamental design for a wrist brace, as shown and described.

(56) **References Cited**

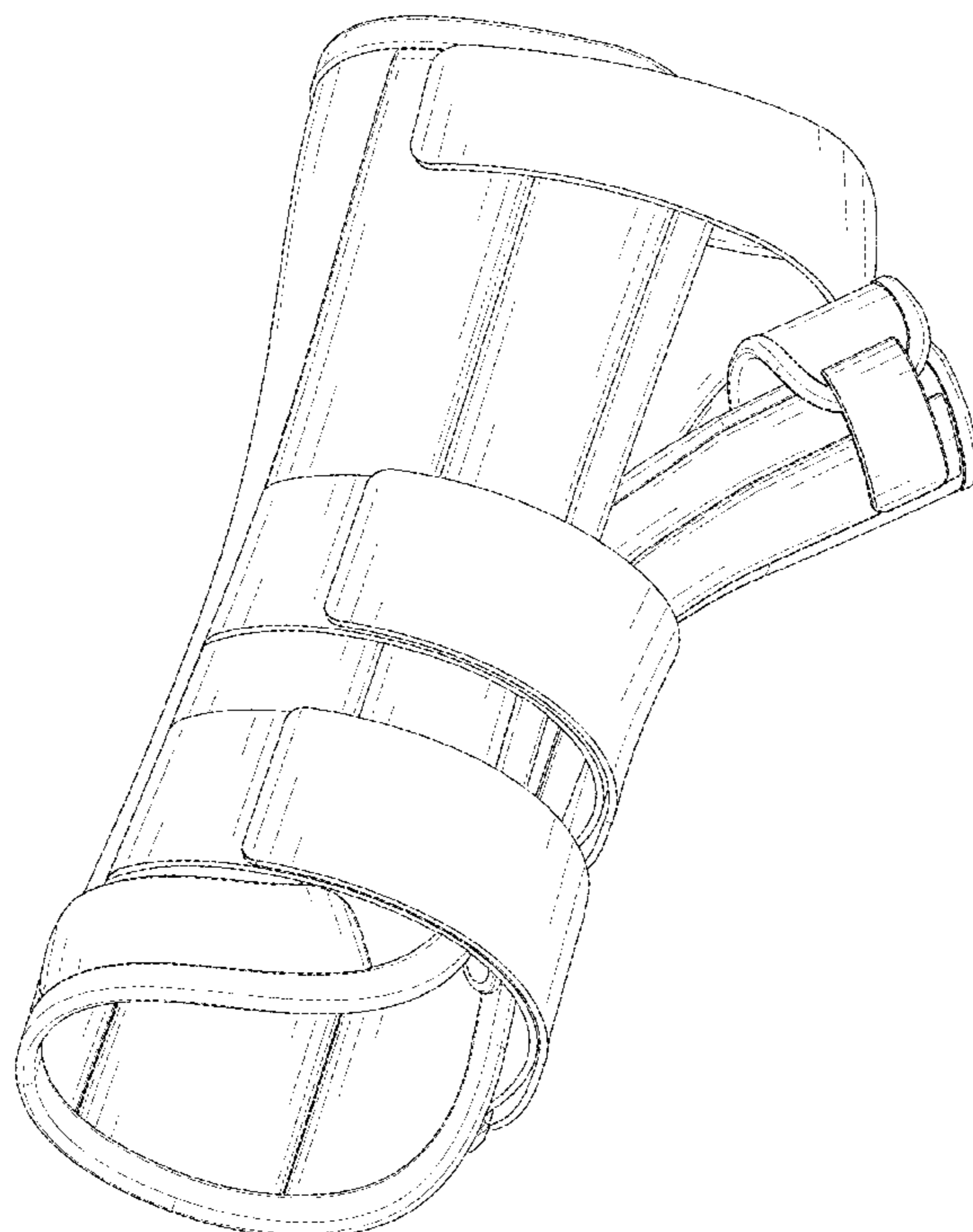
U.S. PATENT DOCUMENTS

D371,845 S * 7/1996 Varn D24/190
5,538,501 A * 7/1996 Caswell A61F 5/0118
128/878
6,146,348 A * 11/2000 Slautterback A61F 5/05866
602/21
6,165,148 A * 12/2000 Carr-Stock A61F 5/0118
128/878
6,773,410 B2* 8/2004 Varn A61F 5/0118
602/13
7,081,102 B1* 7/2006 Koetter A61F 5/013
128/878

DESCRIPTION

FIG. 1 is a front and top perspective view of a wrist brace, showing my new design;
FIG. 2 is a rear and bottom perspective view thereof;
FIG. 3 is a front elevation view thereof;
FIG. 4 is a rear elevation view thereof;
FIG. 5 is a left side elevation view thereof;
FIG. 6 is a right side elevation view thereof;
FIG. 7 is a top plan view thereof; and,
FIG. 8 is a bottom plan view thereof.

1 Claim, 8 Drawing Sheets



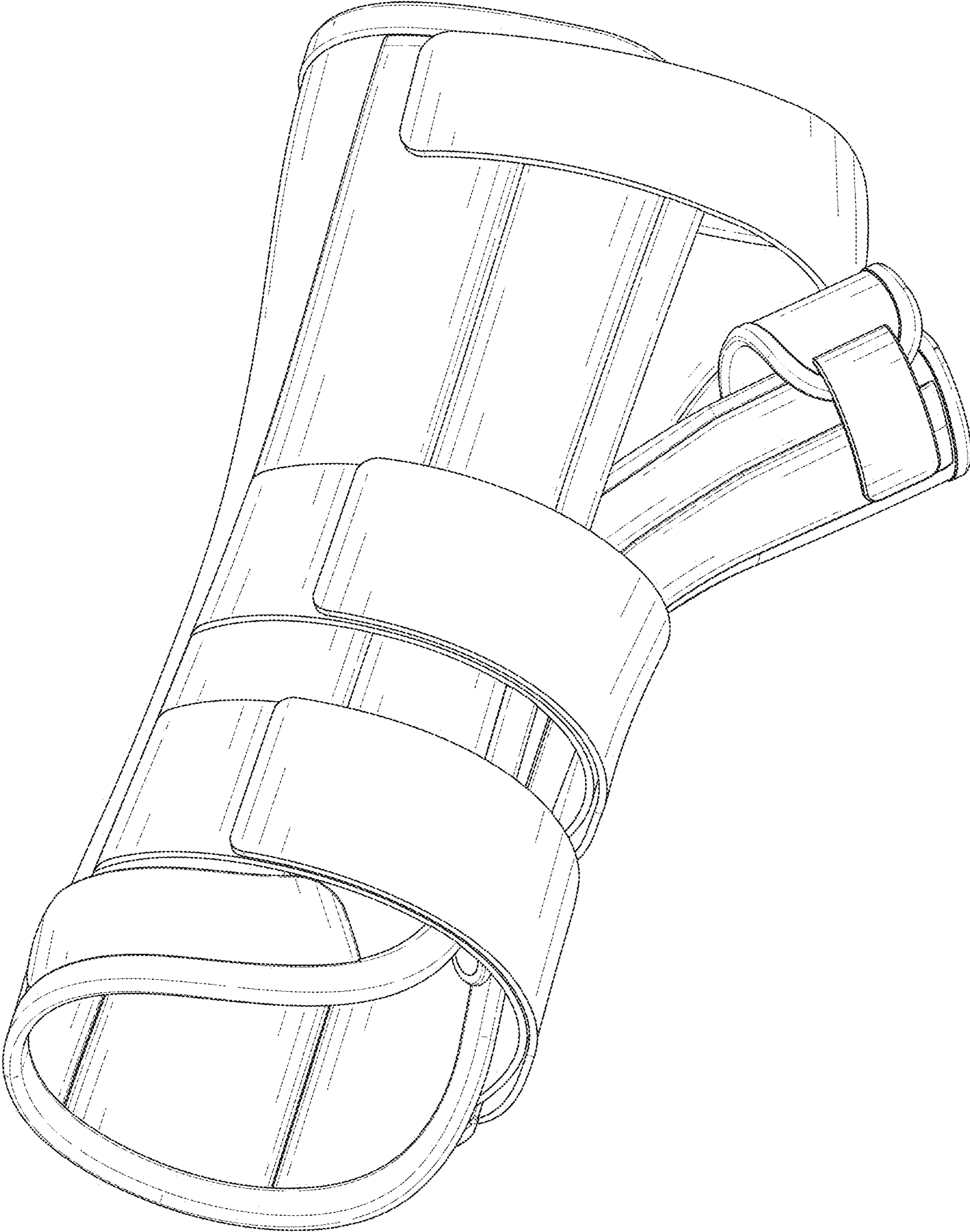


FIG. 1

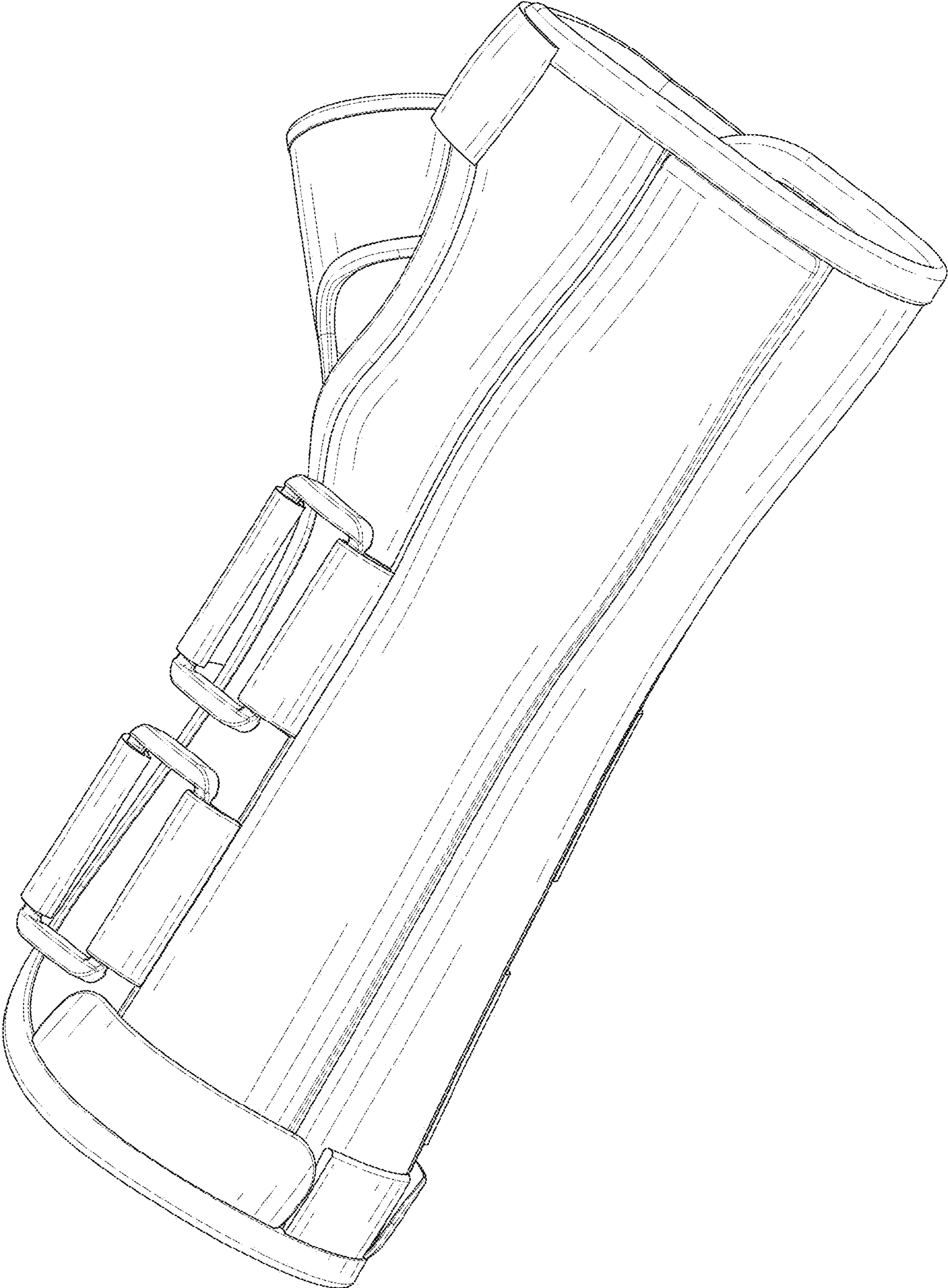


FIG. 2

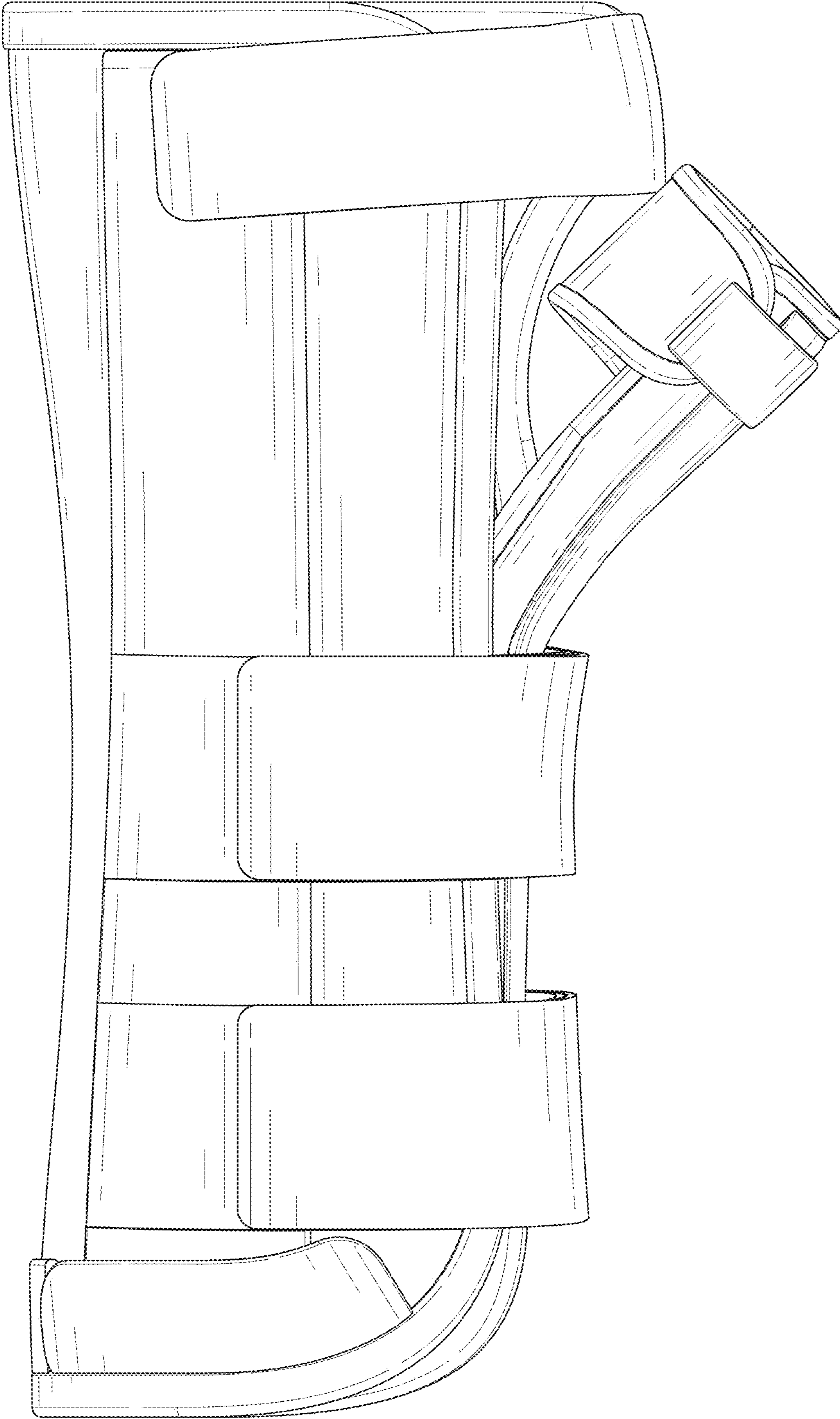


FIG. 3

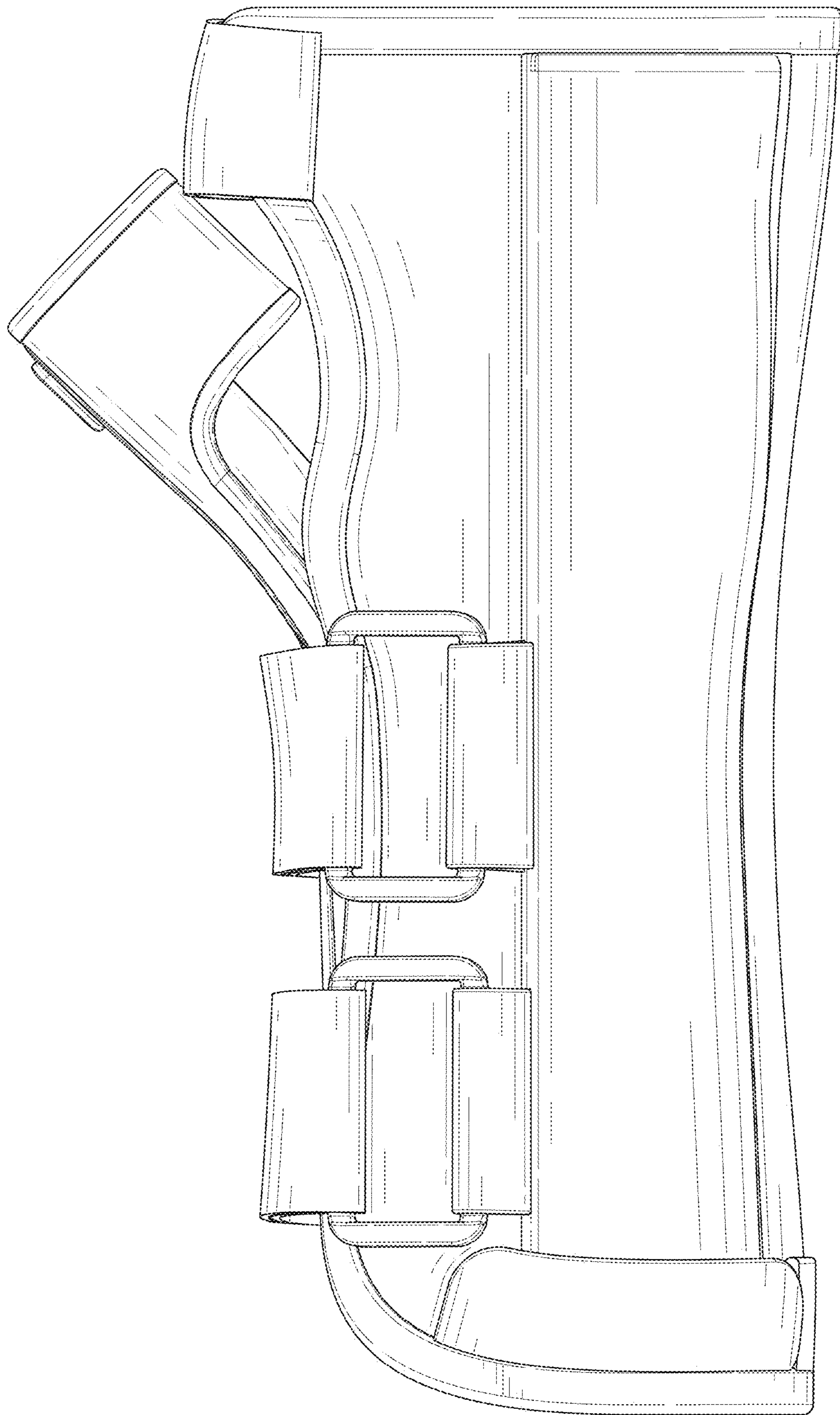


FIG. 4

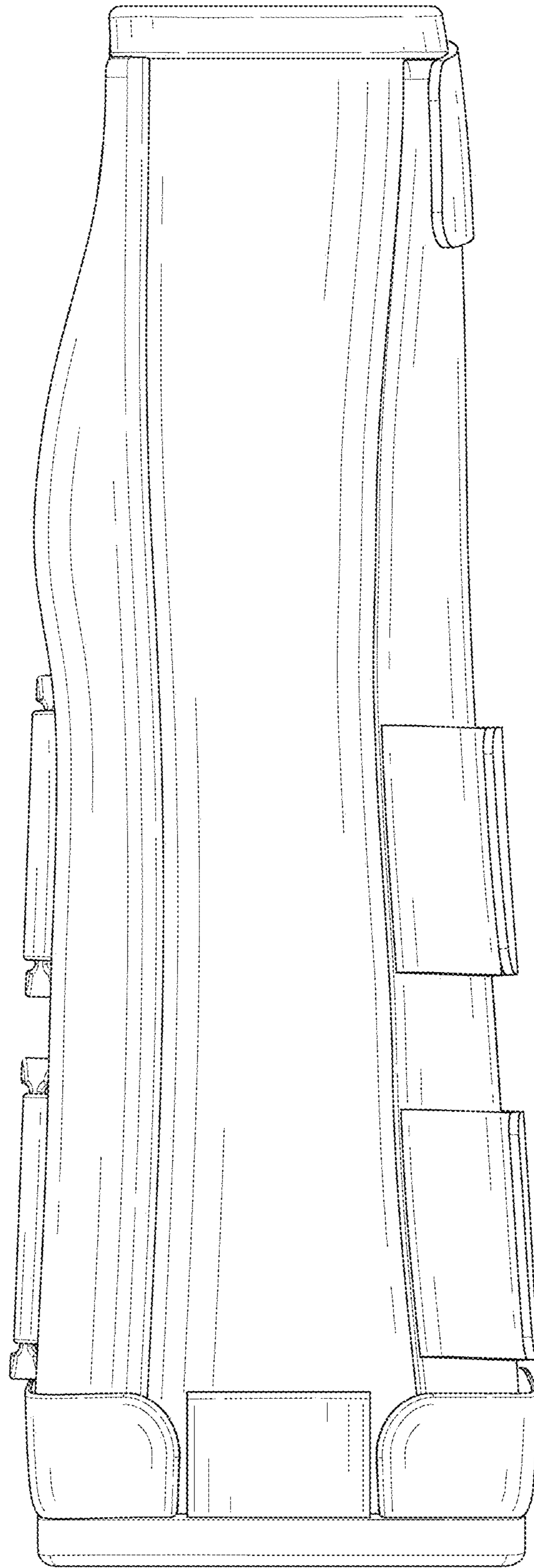


FIG. 5

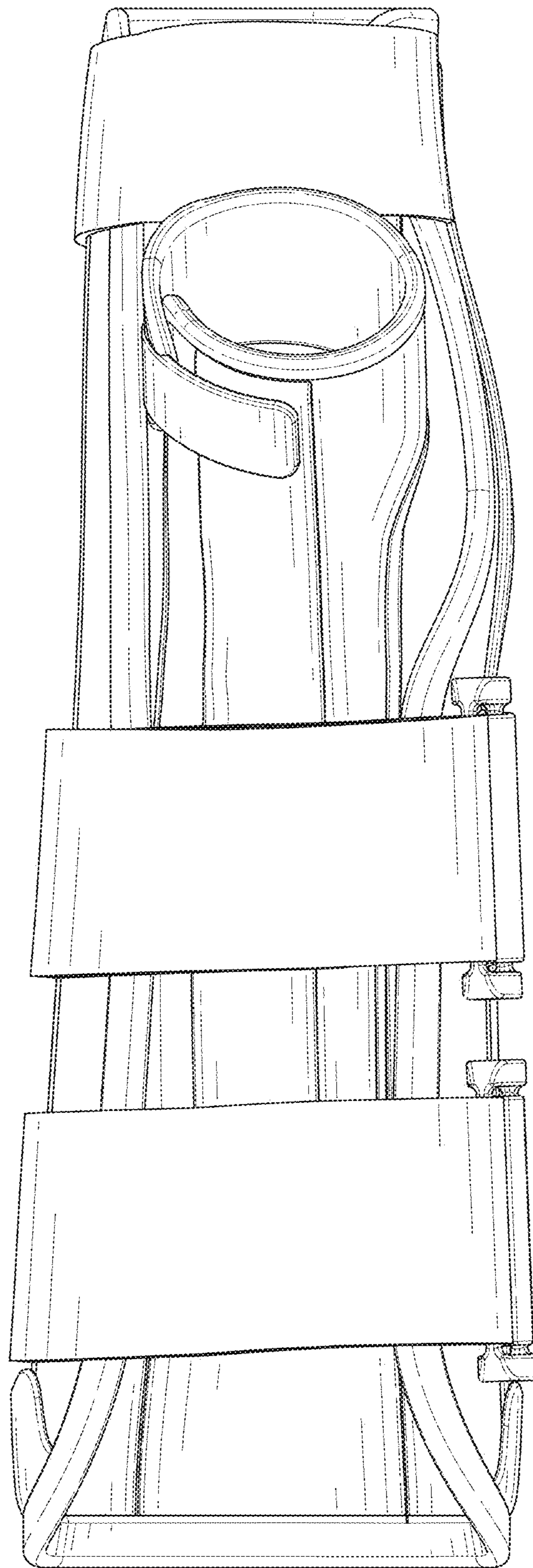


FIG. 6

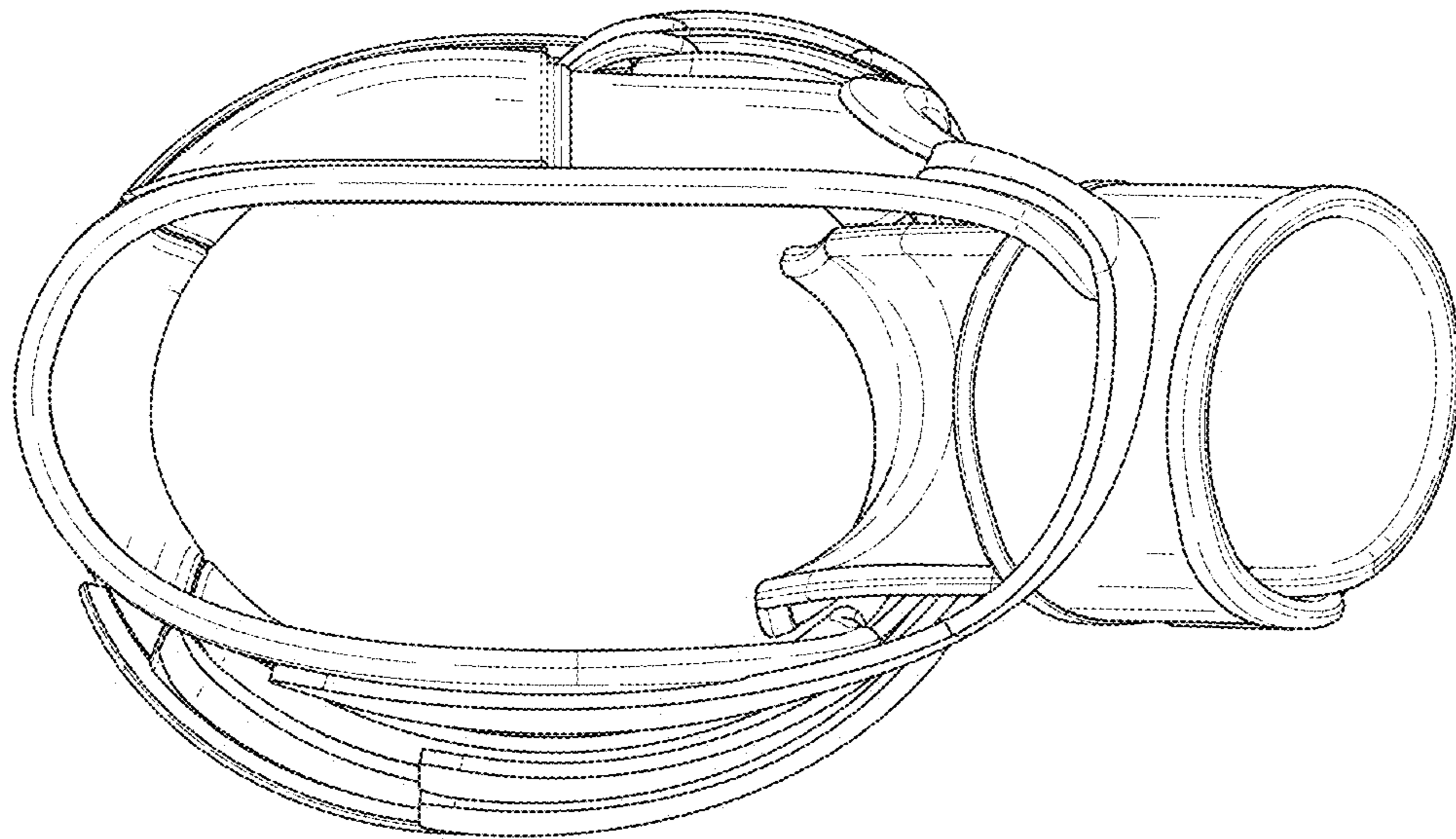


FIG. 7

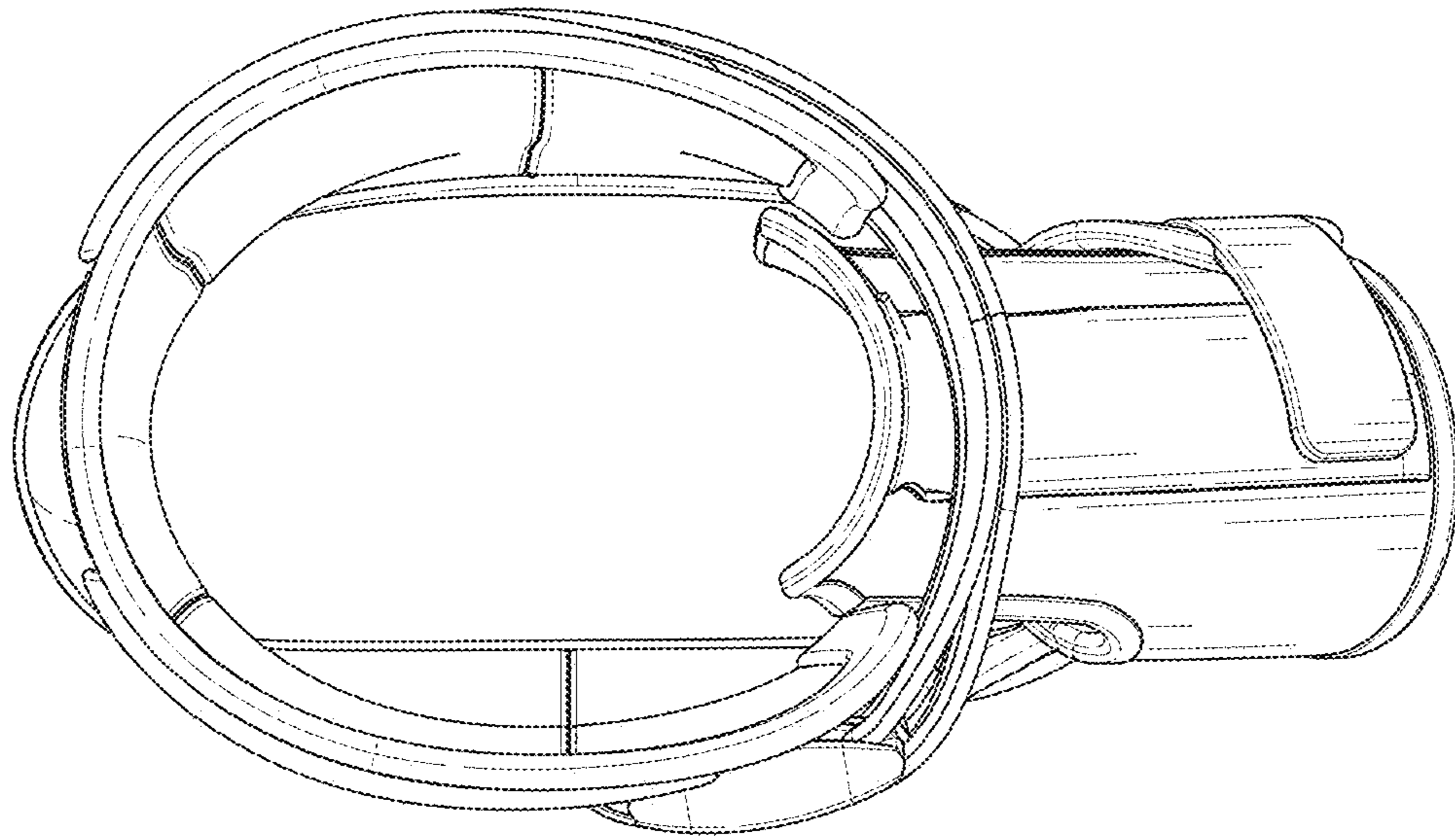


FIG. 8