



US00D935623S

(12) **United States Design Patent**
Min et al.

(10) **Patent No.:** **US D935,623 S**

(45) **Date of Patent:** **** Nov. 9, 2021**

(54) **WIRELESS BIO SIGNAL MEASURING DEVICE**

(71) Applicant: **SOSO Co., Ltd**, Daegu (KR)

(72) Inventors: **Dong-Bin Min**, Gimpo-si (KR);
Jae-Yong Lee, Seoul (KR); **Dae-Sik Keum**, Seoul (KR)

(73) Assignee: **SOSO Co., Ltd**, Daegu (KR)

(**) Term: **15 Years**

(21) Appl. No.: **29/700,916**

(22) Filed: **Aug. 7, 2019**

(30) **Foreign Application Priority Data**

Feb. 18, 2019 (KR) 30-2019-0007093

(51) **LOC (13) Cl.** **24-01**

(52) **U.S. Cl.**
USPC **D24/186**

(58) **Field of Classification Search**
USPC D14/147, 248, 223; D24/167, 169, 173,
D24/174, 175, 186, 187
CPC .. H04R 2225/025; H04R 25/60; H04R 25/63;
H04R 25/67; H04R 25/602; H04R
25/604; H04R 25/608; H04R 25/65;
H04R 25/652; H04R 2201/107; H04R
2420/07; A61B 5/7278; A61B 5/6803;
A61B 5/0476; A61B 5/0456; A61B
5/165; A61B 5/0022; H04M 1/6066
See application file for complete search history.

(56) **References Cited**

U.S. PATENT DOCUMENTS

D498,227 S * 11/2004 Dyer A61B 5/0059
D14/205
D655,694 S * 3/2012 Hanks D14/223

8,942,776 B2 * 1/2015 LeBoeuf A61B 5/0059
600/310
D723,171 S * 2/2015 Ilic D24/174
D776,286 S * 1/2017 Min D24/187
D778,450 S * 2/2017 Min D24/186
D796,490 S * 9/2017 Lian D14/223
D841,816 S * 2/2019 Min D24/173
10,213,156 B2 * 2/2019 Min A61B 5/0245
D856,523 S * 8/2019 Green A61B 5/0245
D24/186
D893,448 S * 8/2020 Wall D14/192
D895,125 S * 9/2020 Green D24/186
D895,811 S * 9/2020 Green D24/186

* cited by examiner

Primary Examiner — Antoine Duval Davis

(74) *Attorney, Agent, or Firm* — Revolution IP, PLLC

(57) **CLAIM**

The ornamental design for a wireless bio signal measuring device, as shown and described.

DESCRIPTION

FIG. 1 is a perspective view of a wireless bio signal measuring device showing my new design;
FIG. 2 is a front view thereof;
FIG. 3 is a rear view thereof;
FIG. 4 is a left side view thereof;
FIG. 5 is a right side view thereof;
FIG. 6 is a top view thereof;
FIG. 7 is a bottom view thereof; and,
FIG. 8 is another perspective view thereof.

1 Claim, 8 Drawing Sheets

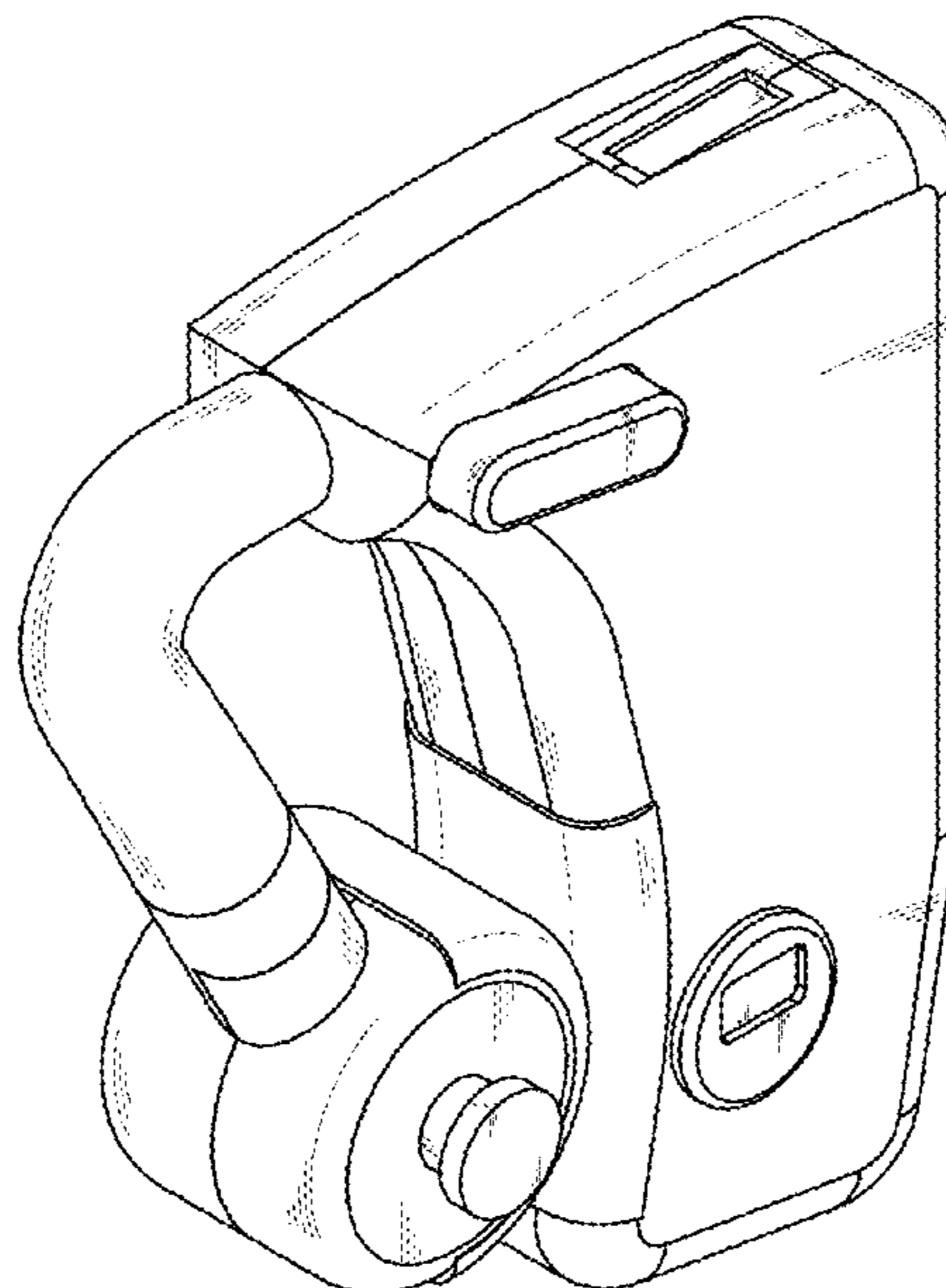


FIG. 1

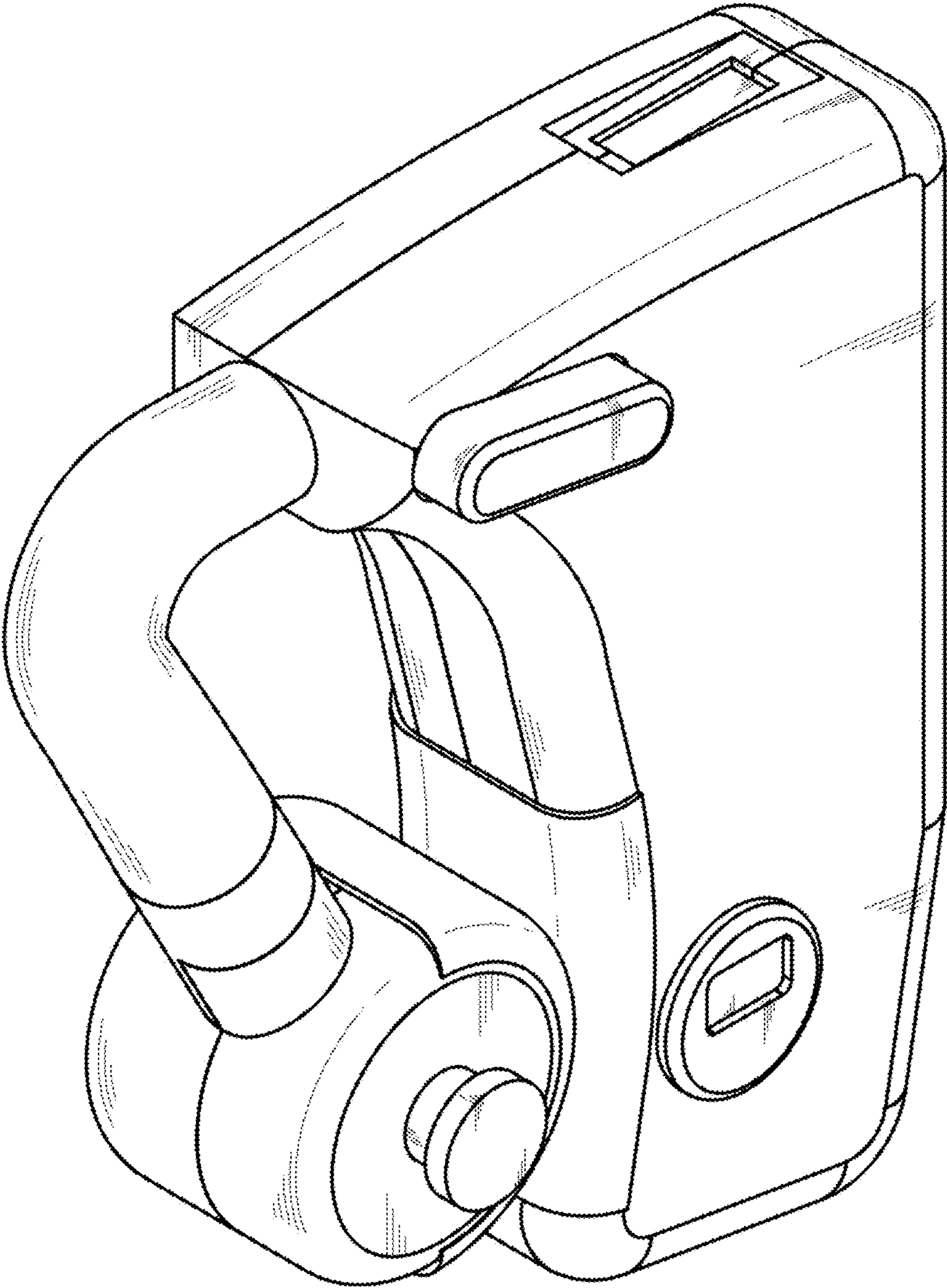


FIG. 2

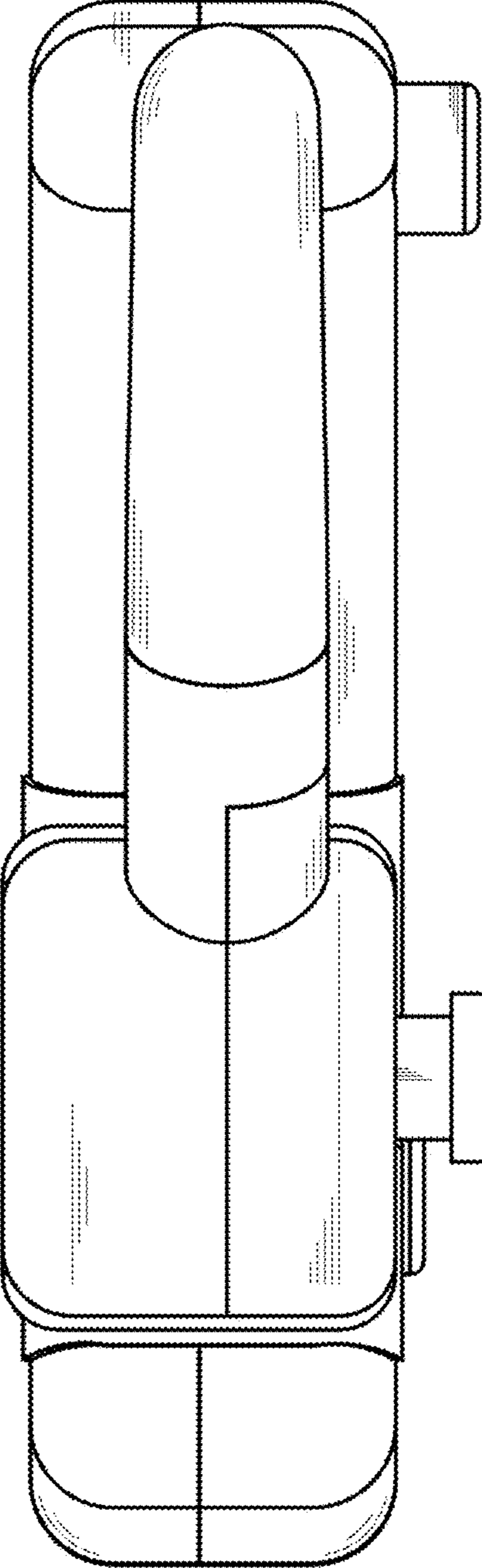


FIG. 3

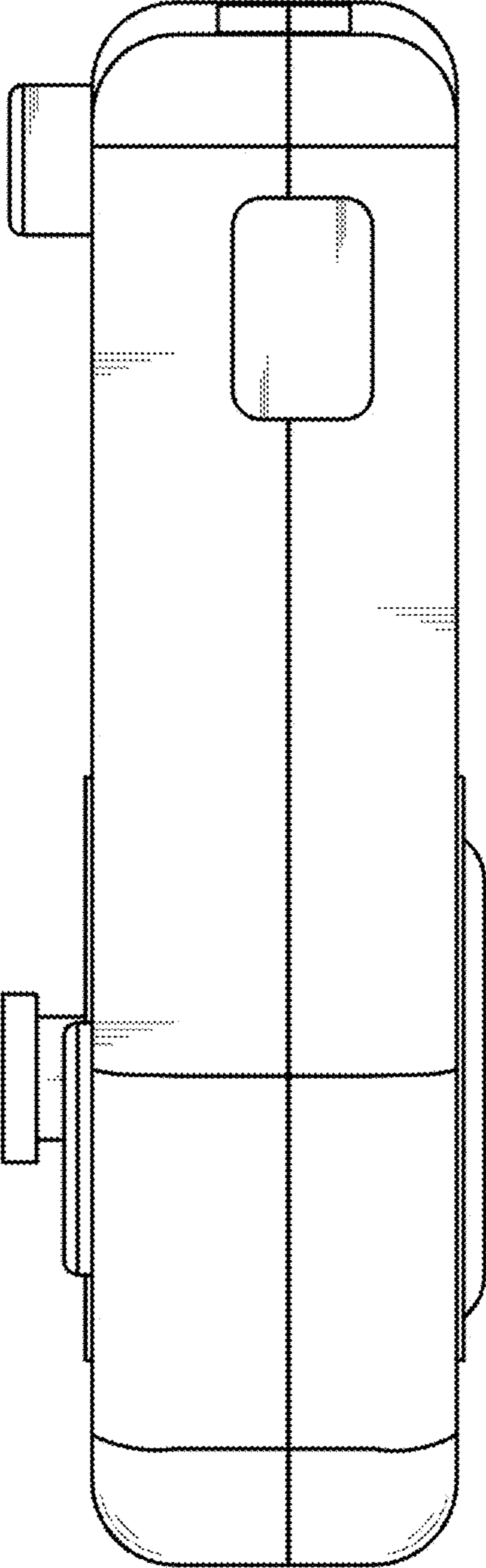


FIG. 4

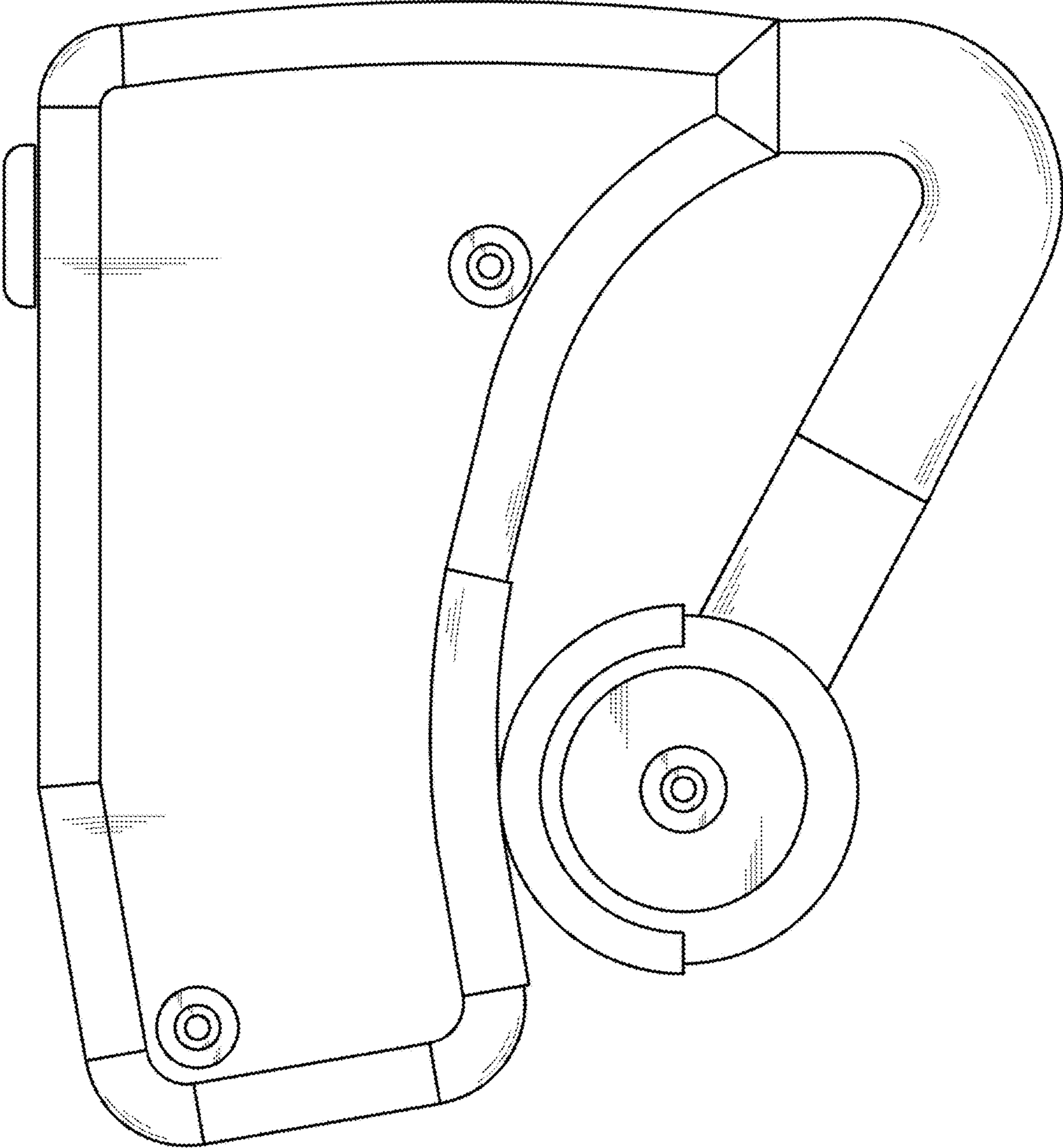


FIG. 5

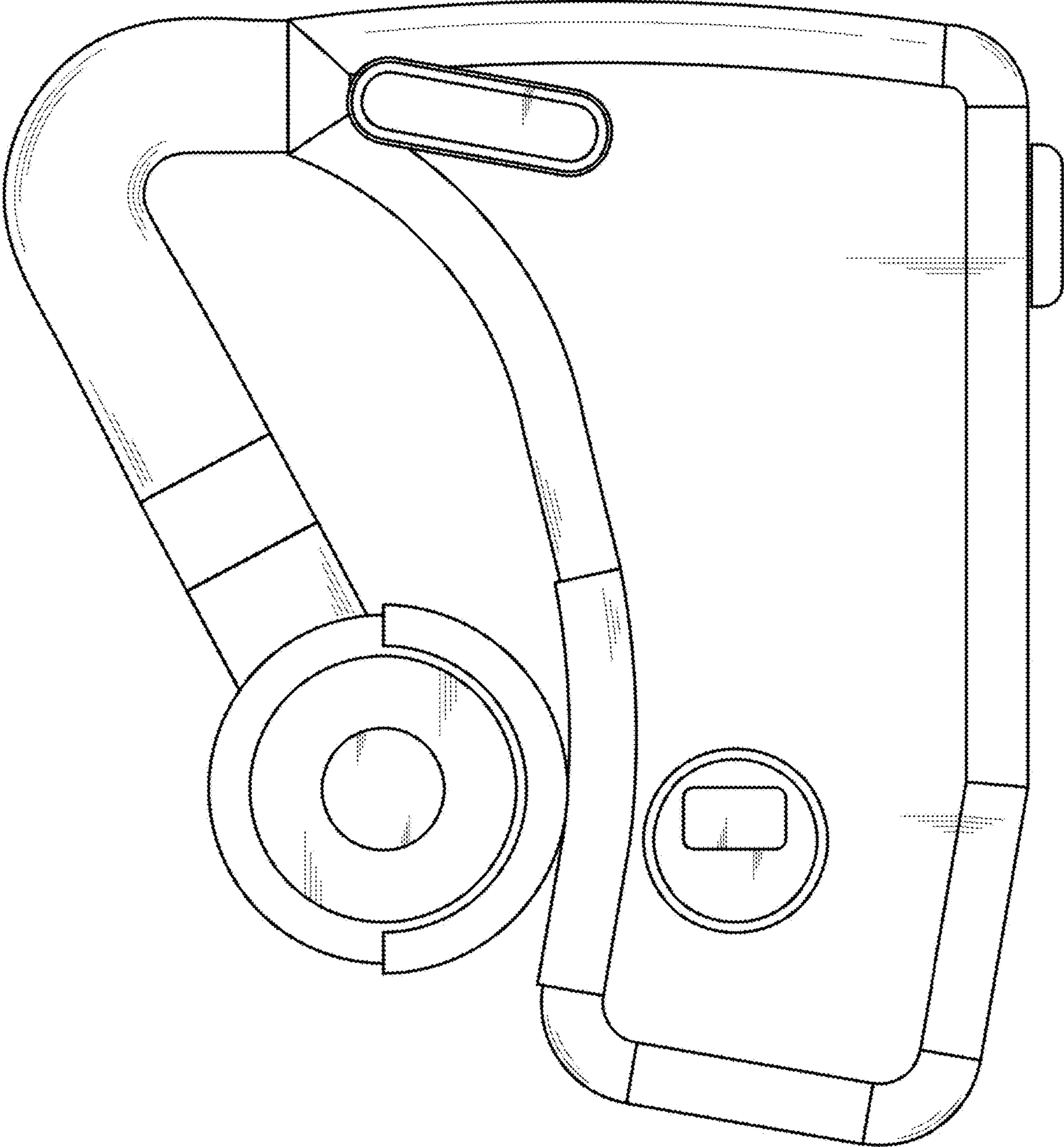


FIG. 6

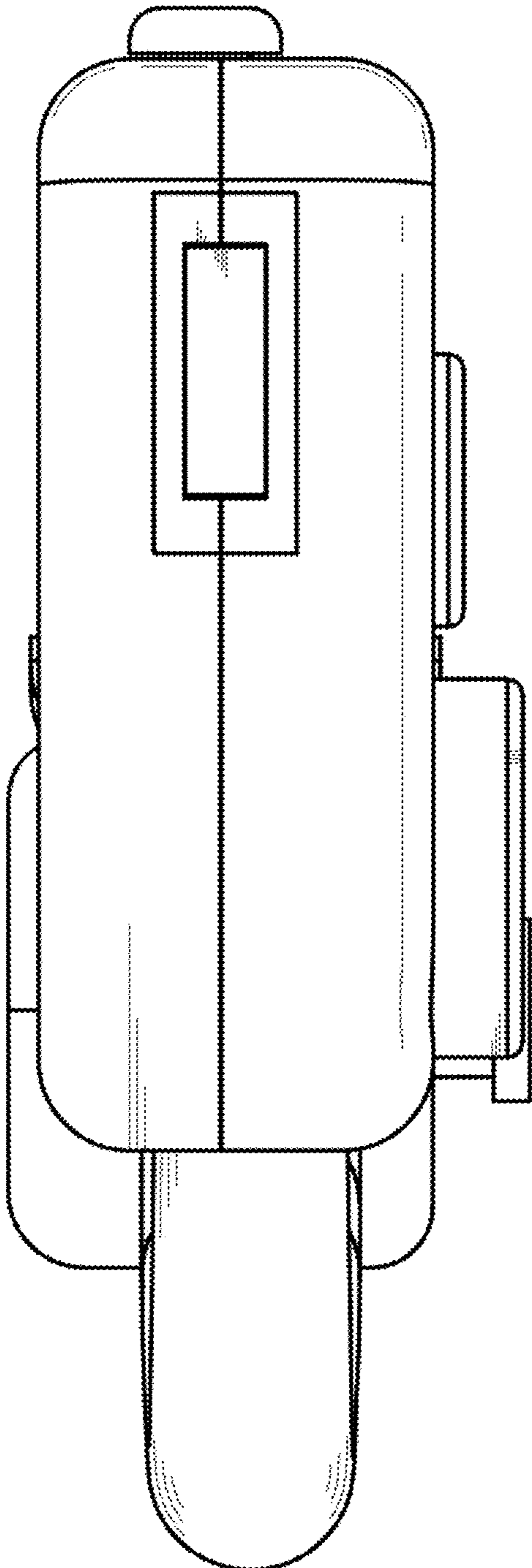


FIG. 7

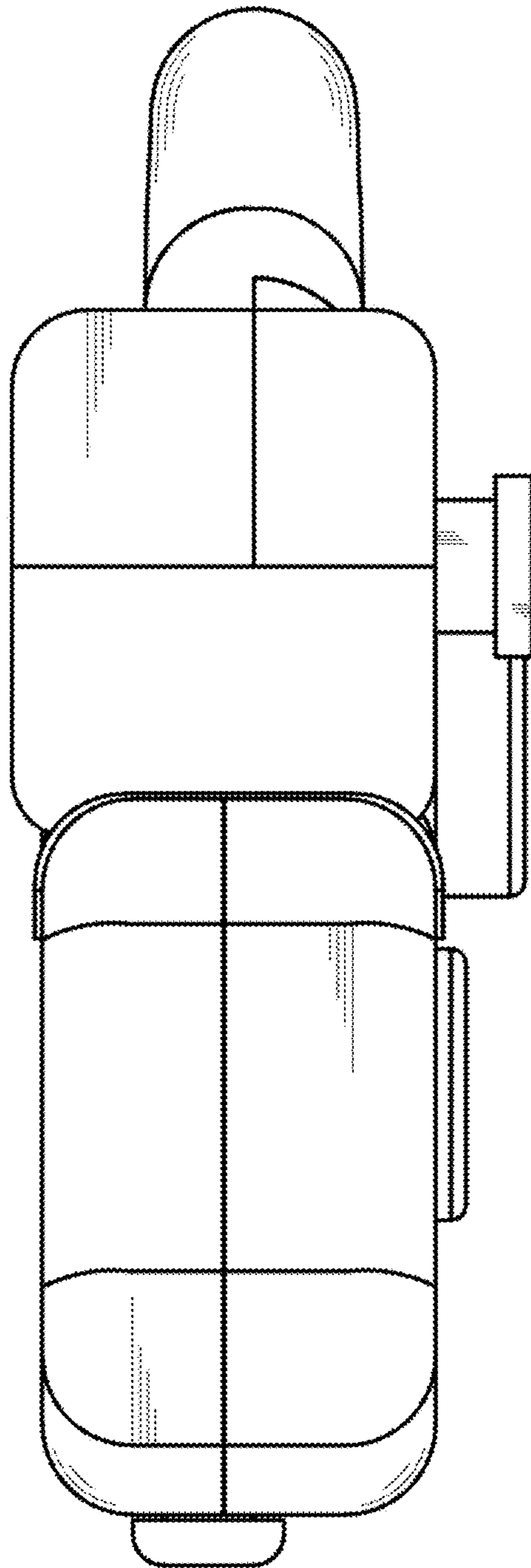


FIG. 8

