



US00D935621S

(12) **United States Design Patent** (10) **Patent No.:** **US D935,621 S**
Christiansen et al. (45) **Date of Patent:** **** Nov. 9, 2021**

(54) **COMPONENT FOR A HEARING AID FOR THE DEAF**

(71) Applicant: **GN Hearing A/S**, Ballerup (DK)

(72) Inventors: **Henrik Hetz Christiansen**,
Copenhagen K (DK); **Henrik Nielsen**,
Roskilde (DK)

(73) Assignee: **GN Hearing A/S**, Ballerup (DK)

(**) Term: **15 Years**

(21) Appl. No.: **35/508,734**

(22) Filed: **Jul. 3, 2019**

(80) **Hague Agreement Data**

Int. Filing Date: **Jul. 3, 2019**

Int. Reg. No.: **DM/206193**

Int. Reg. Date: **Jul. 3, 2019**

Int. Reg. Pub. Date: **Mar. 6, 2020**

(51) **LOC (13) Cl.** **24-99**

(52) **U.S. Cl.**
USPC **D24/174**

(58) **Field of Classification Search**
USPC D24/173, 174, 175; D14/205, 223, 224,
D14/225, 226, 230, 231, 236, 249
CPC .. H04R 2225/025; H04R 25/60; H04R 25/63;
H04R 25/67; H04R 25/602; H04R
25/604; H04R 25/608; H04R 25/65;
H04R 25/652

See application file for complete search history.

(56) **References Cited**

U.S. PATENT DOCUMENTS

D728,107	S	*	4/2015	Torres Martin	D24/174
D760,905	S	*	7/2016	Lu	D24/173
D768,860	S	*	10/2016	Lu	D24/173
D806,879	S	*	1/2018	Horbinski	D24/174
D825,764	S	*	8/2018	Gajstut	D24/174
10,187,735	B2	*	1/2019	Johansen	H04R 25/607
10,206,051	B2	*	2/2019	Boley	H04R 25/652
D846,124	S	*	4/2019	Wagner	D24/174
D872,061	S	*	1/2020	Cui	D14/223
D872,062	S	*	1/2020	Cui	D14/223
D896,969	S	*	9/2020	Yu	D24/174
10,863,285	B2	*	12/2020	Schmidt	H04R 25/70

* cited by examiner

Primary Examiner — Samantha Q Lawrence

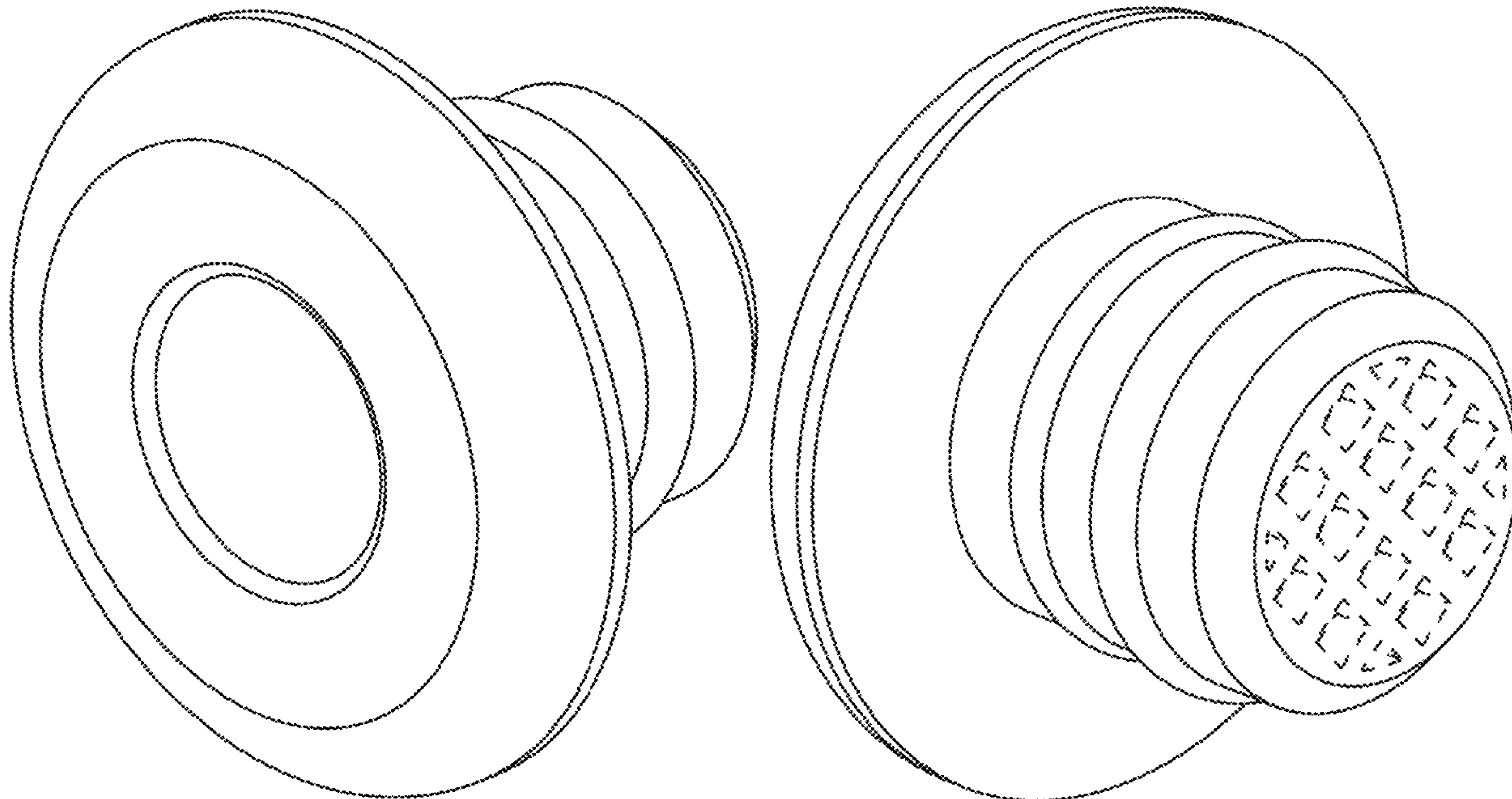
(57) **CLAIM**

The ornamental design for a component for a hearing aid for the deaf, as shown and described.

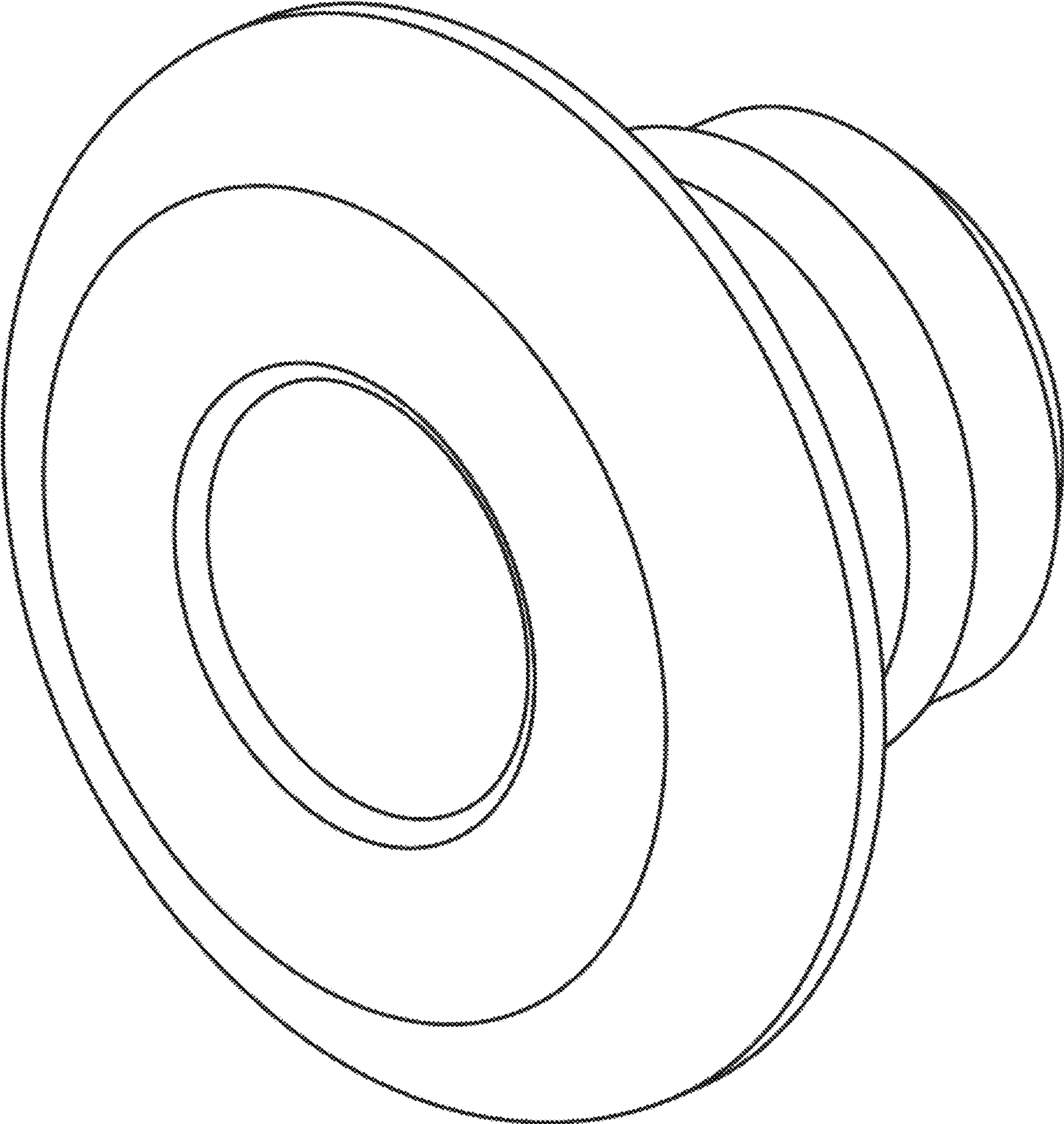
DESCRIPTION

1. Component for a hearing aid for the deaf
Figure 1.1: is a perspective view of a component for a hearing aid for the deaf;
Figure 1.2: Perspective is a perspective view thereof;
Figure 1.3: Left is a left view thereof;
Figure 1.4: Front is a front view thereof; and
Figure 1.5: Bottom is a bottom view thereof.
The broken lines shown in FIGS. 1.2, 1.4, and 1.5 illustrate portions of the component for a hearing aid for the deaf that form no part of the claimed design.

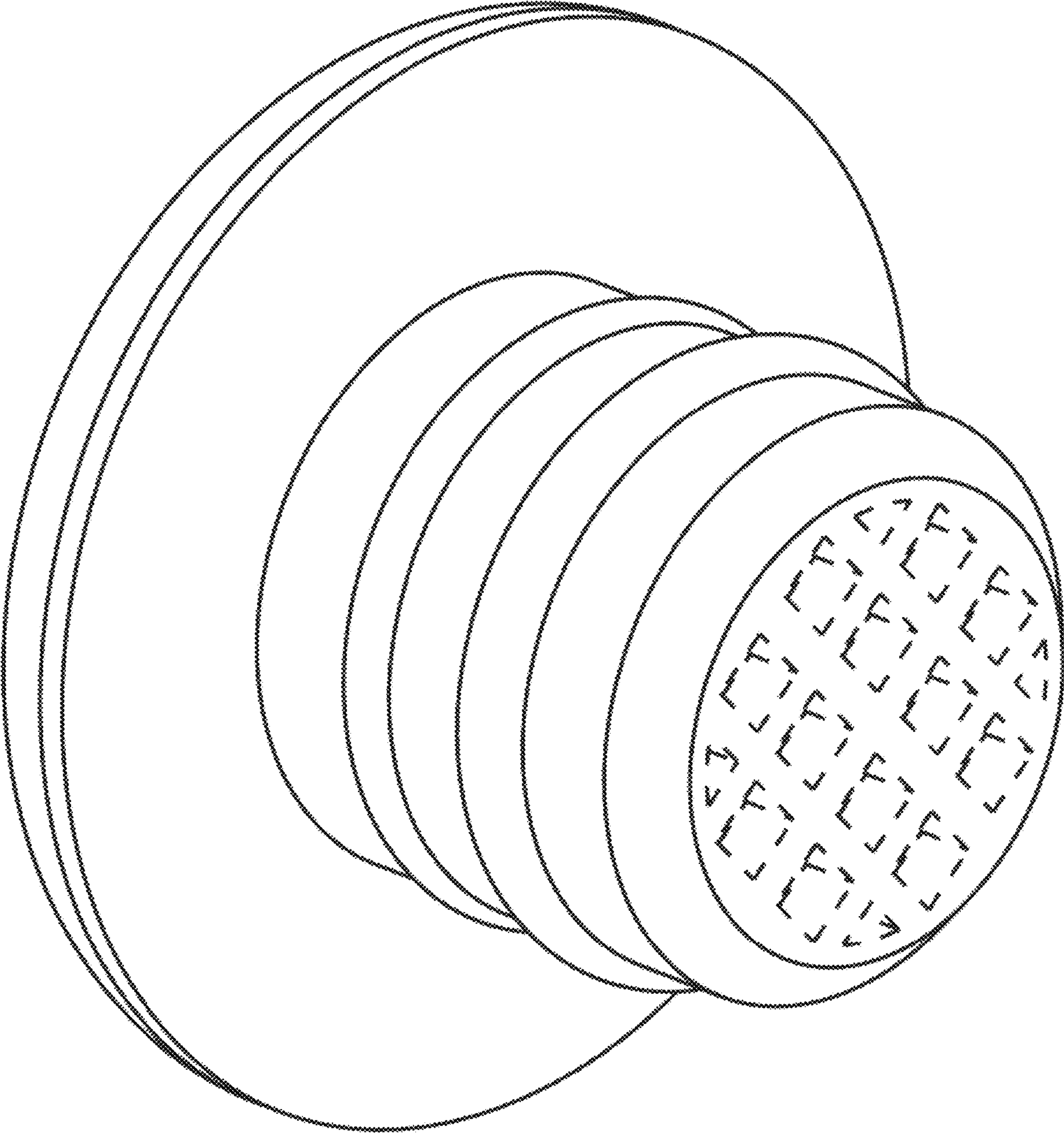
1 Claim, 5 Drawing Sheets



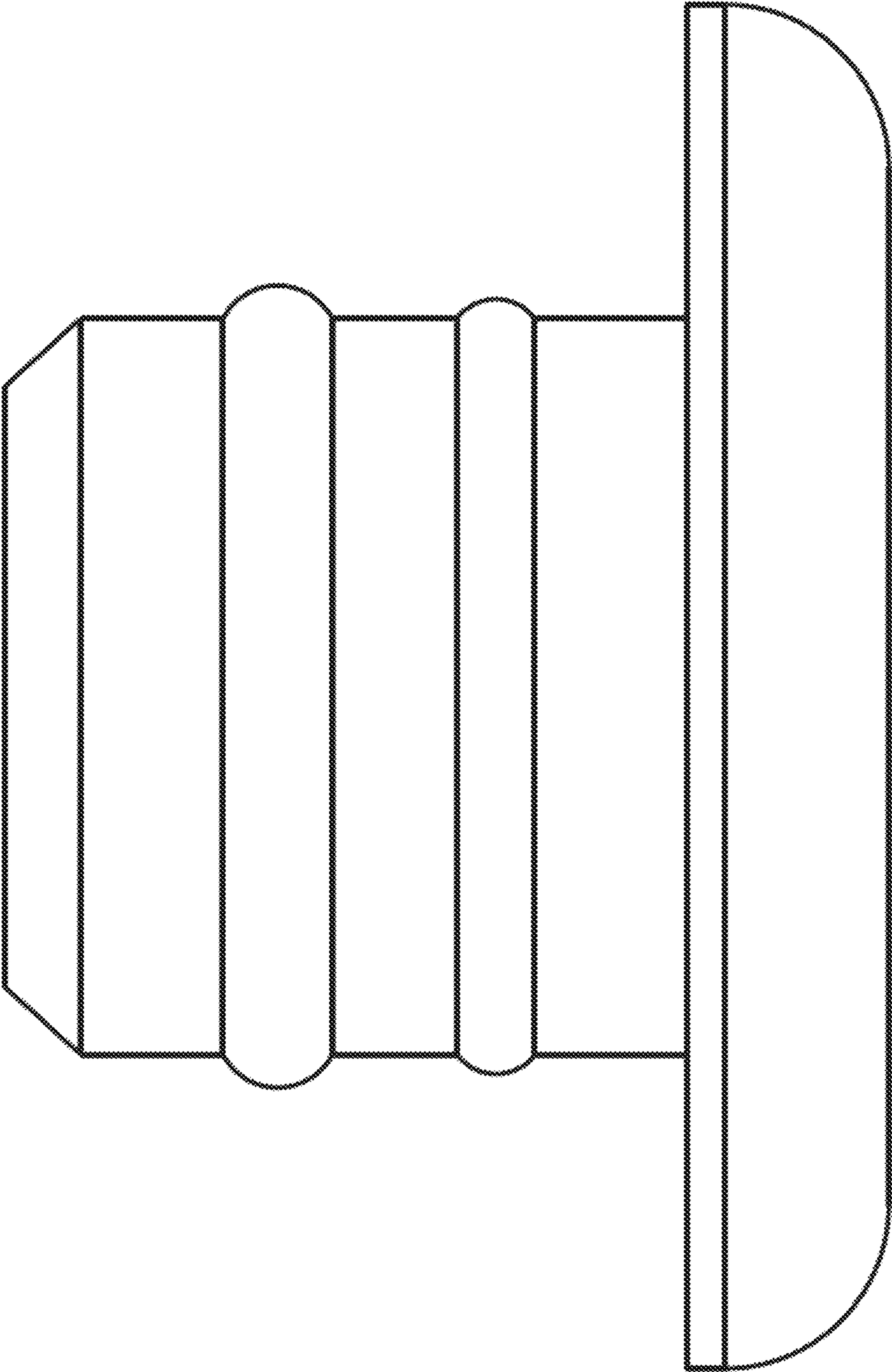
1.1



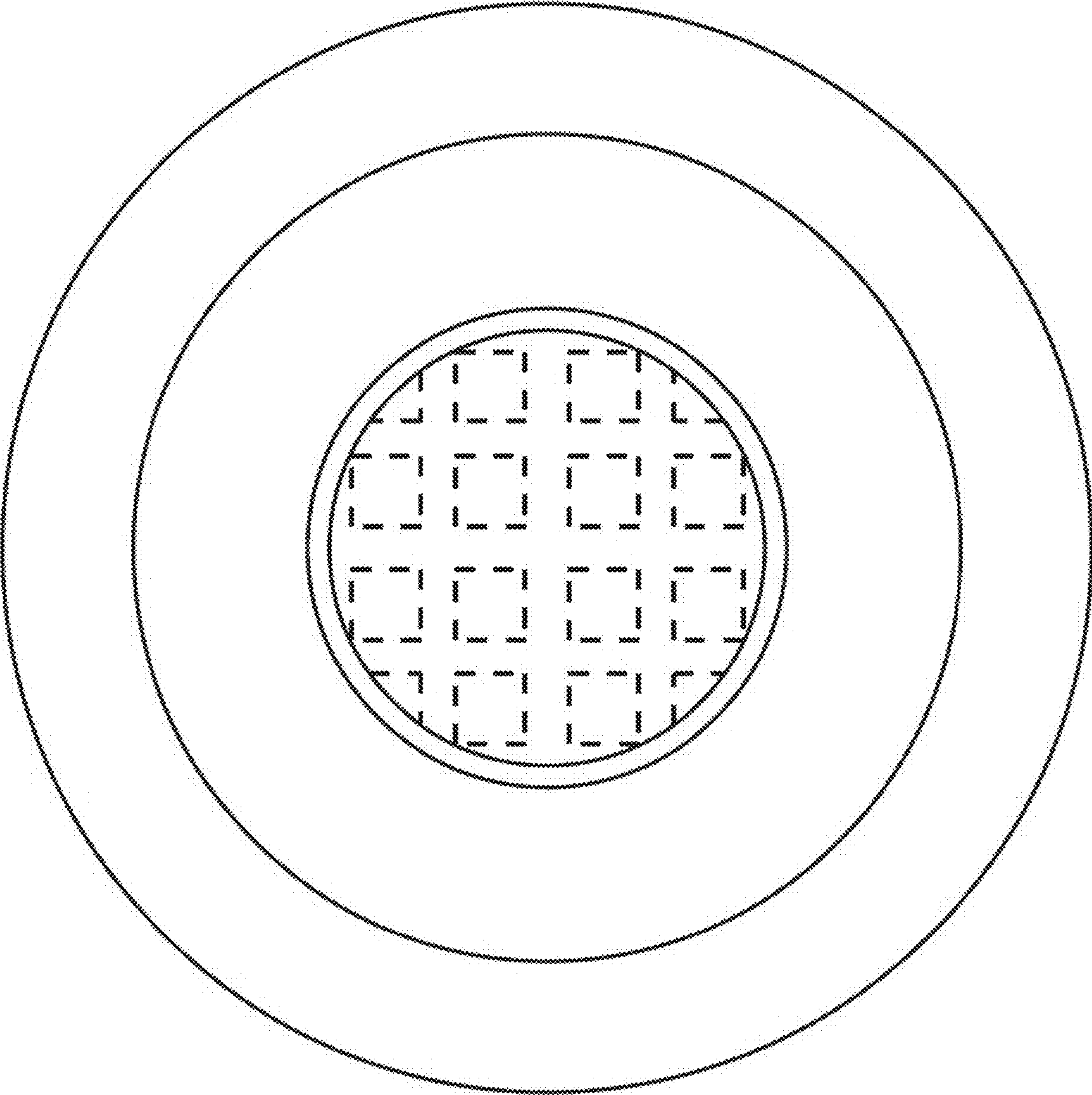
1.2



1.3



1.4



1.5

