



US00D935619S

(12) **United States Design Patent** (10) **Patent No.:** **US D935,619 S**
Huber-Meznaric et al. (45) **Date of Patent:** **** Nov. 9, 2021**

(54) **OPTICAL DEVICE**

(71) Applicant: **Haag-Streit AG**, Koeniz (CH)

(72) Inventors: **André Huber-Meznaric**, Koeniz (CH);
Alfred Guarriello, Jegenstorf (CH);
Christian Zoss, Belp (CH); **Therese Naef**, Nussbaumen (CH); **Britta Pukall**,
Waedenswil (CH)

(73) Assignee: **HAAG-STREIT AG**, Koeniz (CH)

(**) Term: **15 Years**

(21) Appl. No.: **29/642,240**

(22) Filed: **Mar. 28, 2018**

(30) **Foreign Application Priority Data**

Sep. 29, 2017 (CH) 143 527

(51) **LOC (13) Cl.** **24-02**

(52) **U.S. Cl.**
USPC **D24/172**

(58) **Field of Classification Search**
USPC D24/172, 186, 185; D14/420
CPC .. A61B 3/14; A61B 3/12; A61B 3/101; A61B
3/0075; A61B 3/032

See application file for complete search history.

(56) **References Cited**

U.S. PATENT DOCUMENTS

4,187,005 A * 2/1980 Rosenberger A61B 3/0075
351/245
D360,465 S * 7/1995 Niven D24/172
D394,505 S * 5/1998 Hayashi D24/172
D552,736 S * 10/2007 Yamaoka D24/172
9,084,540 B2 * 7/2015 Nef A61B 3/032
D775,356 S * 12/2016 Zhou D24/172
D812,759 S * 3/2018 Sekine D24/172
D819,214 S * 5/2018 Katz D24/172

D827,833 S * 9/2018 Brottier D24/172
D847,345 S * 4/2019 Iliffe-Moon D24/172
D863,557 S * 10/2019 Cheng D24/172
D882,094 S * 4/2020 Katz A61B 3/14
D24/172
D900,823 S * 11/2020 Winsor D14/420
D901,016 S * 11/2020 Park D24/172
D908,891 S * 1/2021 Zund D24/185
D913,505 S * 3/2021 Henderson D24/186
2006/0268230 A1 * 11/2006 Kogawa A61B 3/12
351/206

(Continued)

OTHER PUBLICATIONS

“The Oct Analyser . . . ” found on the internet by RMS reference dated Sep. 4, 2020 reference found at: <https://www.haag-streit.com/haag-streit-diagnostics/products/biometry/eyestar-900/>.*

(Continued)

Primary Examiner — Rhea Shields

(74) *Attorney, Agent, or Firm* — Birch, Stewart, Kolasch & Birch, LLP.

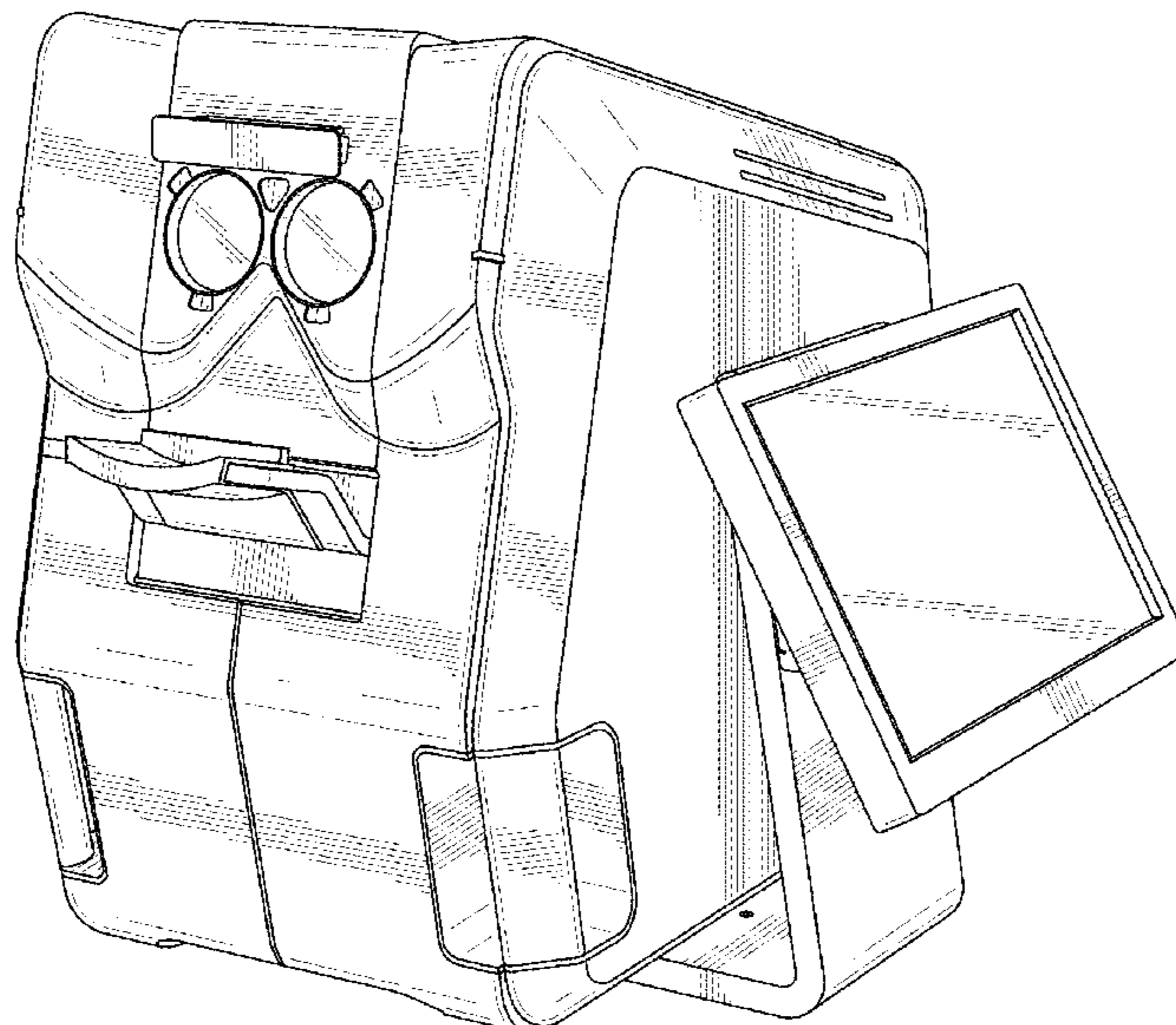
(57) **CLAIM**

The ornamental design for an optical device, as shown and described.

DESCRIPTION

FIG. 1 is a top view of an optical device showing our new design;
FIG. 2 is a bottom view thereof;
FIG. 3 is a right side view thereof;
FIG. 4 is a left side view thereof;
FIG. 5 is a front view thereof;
FIG. 6 is a rear view thereof; and,
FIG. 7 is a perspective view thereof.
In the drawings, the broken lines are for the purpose of illustrating portions of the optical device that forms no part of the claimed design.

1 Claim, 7 Drawing Sheets



(56)

References Cited

U.S. PATENT DOCUMENTS

2008/0316499 A1* 12/2008 Korb A61B 3/101
356/503

OTHER PUBLICATIONS

“Measurement, Images, Diagnoses” found on the internet by RMS
dated Apr. 20, 2021 reference found at: <https://www.haag-streit.com/haag-streit-diagnostics/products/biometry/eyestar-900/>.*

* cited by examiner

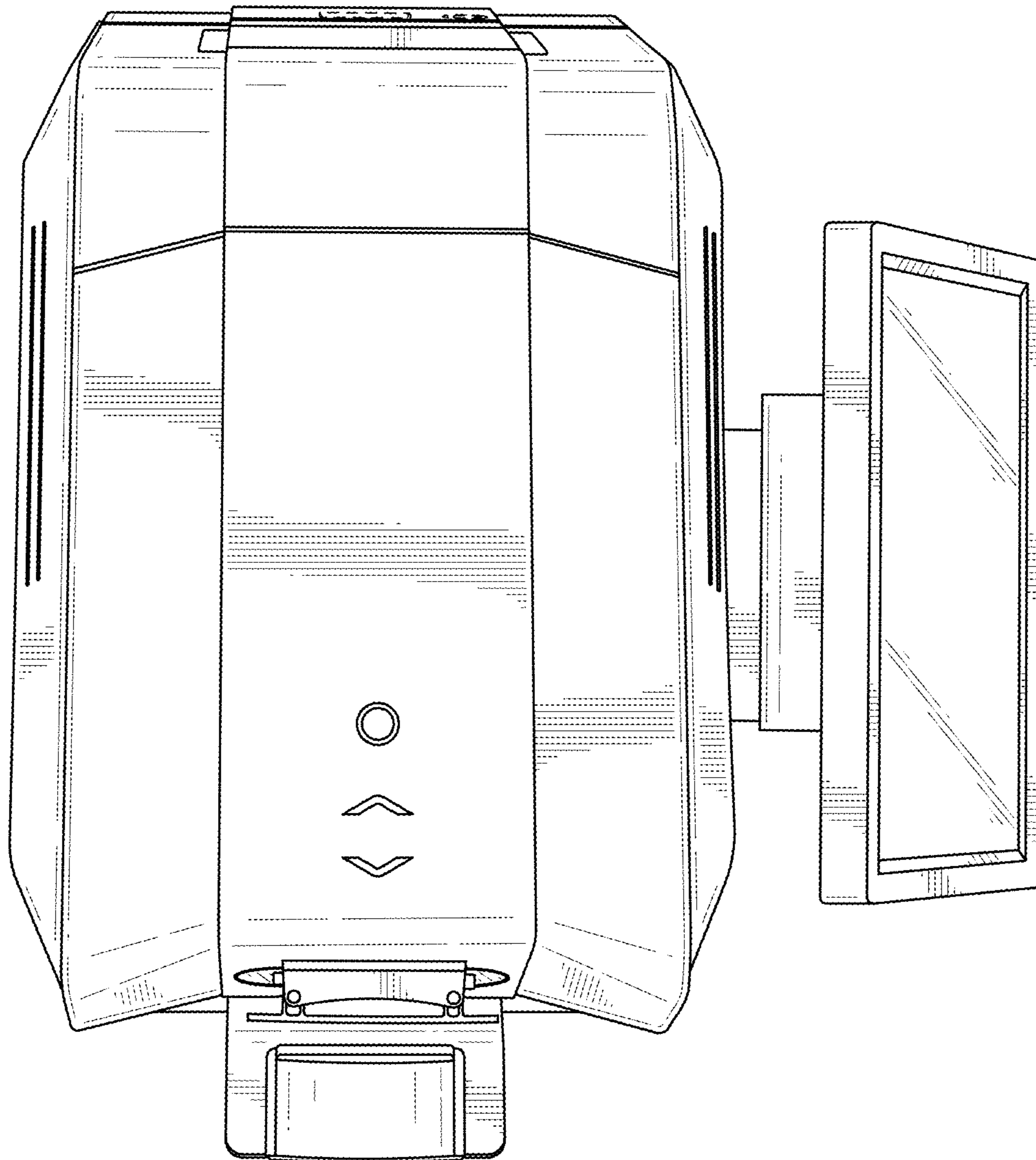


FIG.1

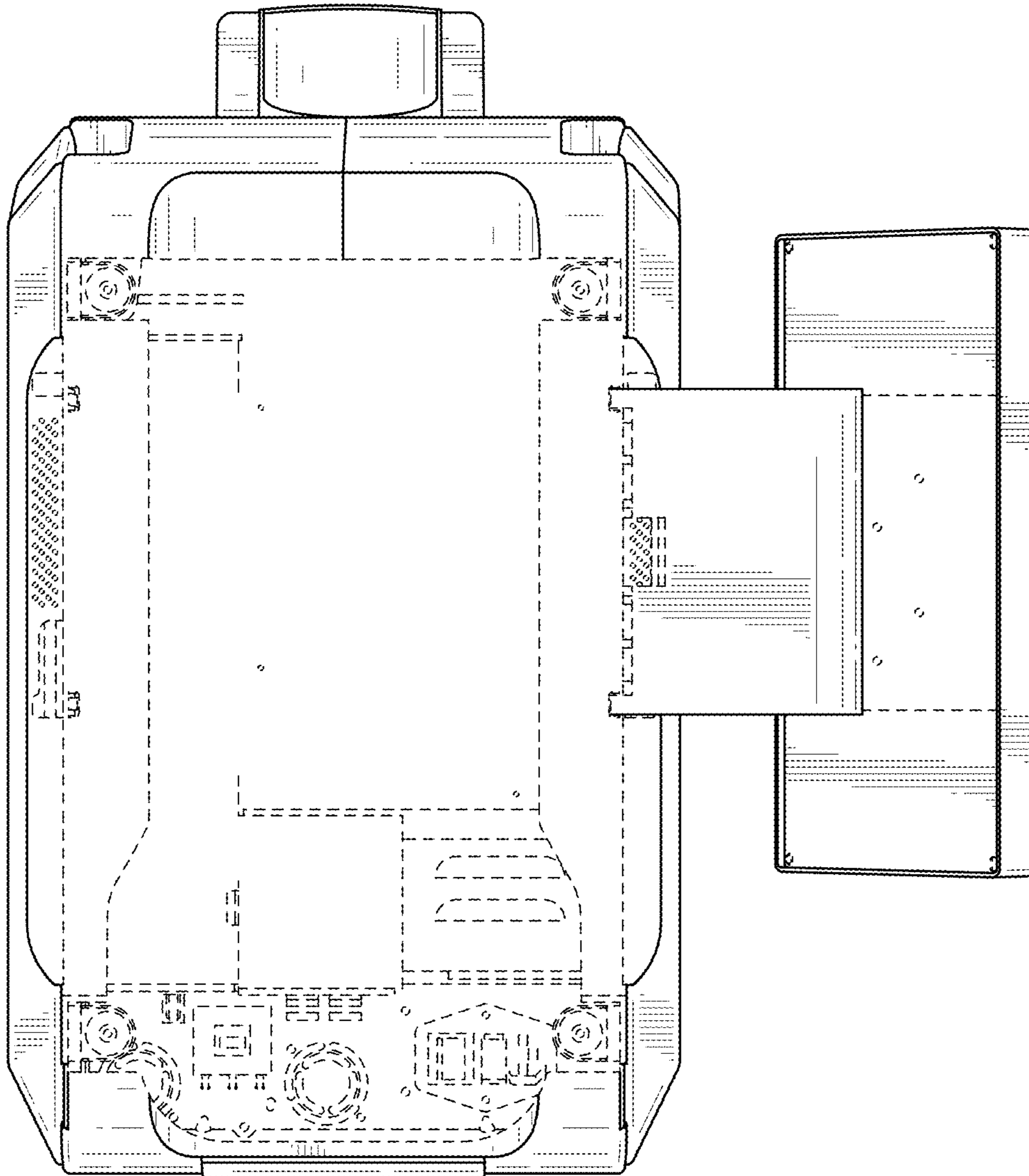


FIG.2

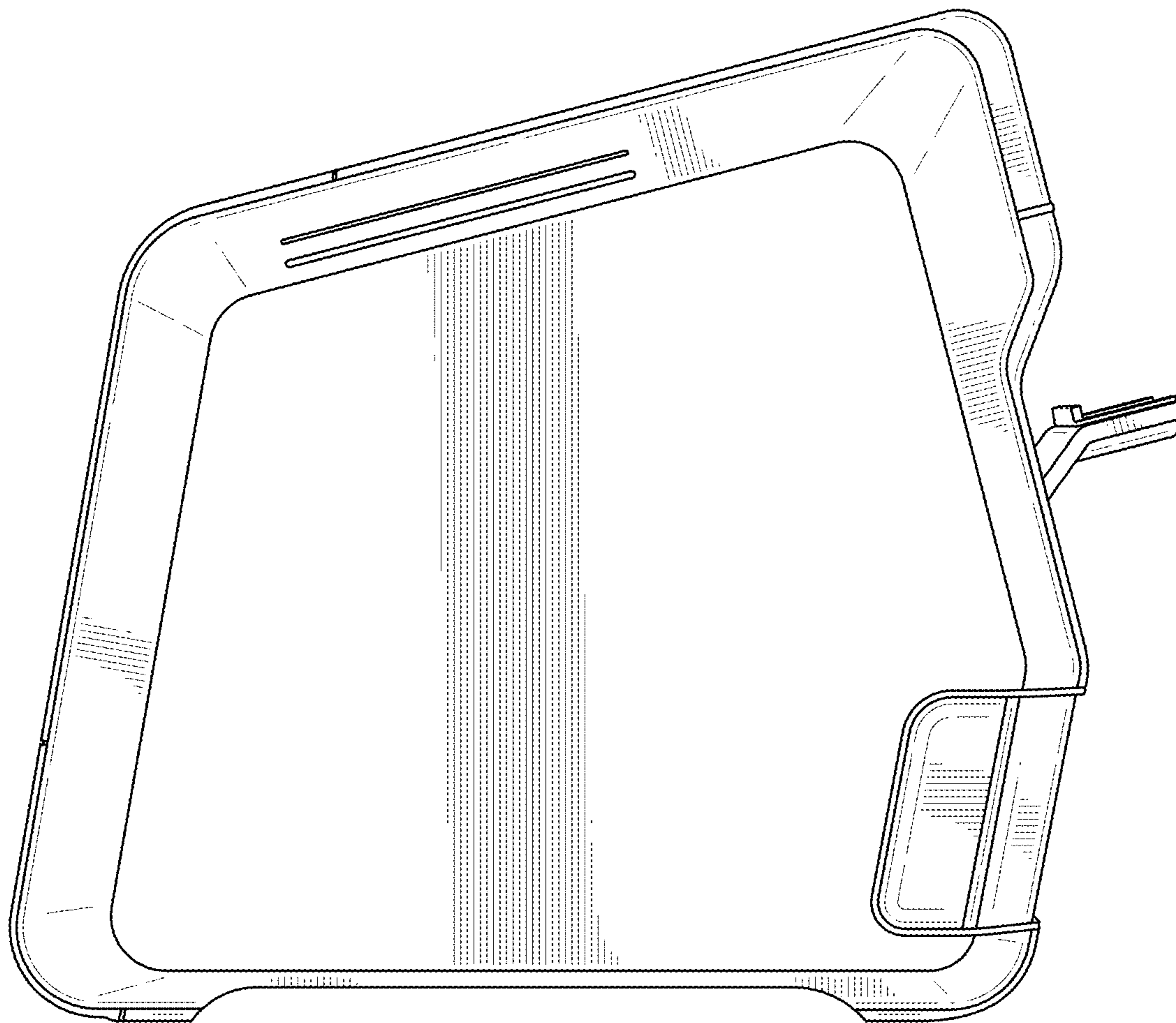


FIG.3

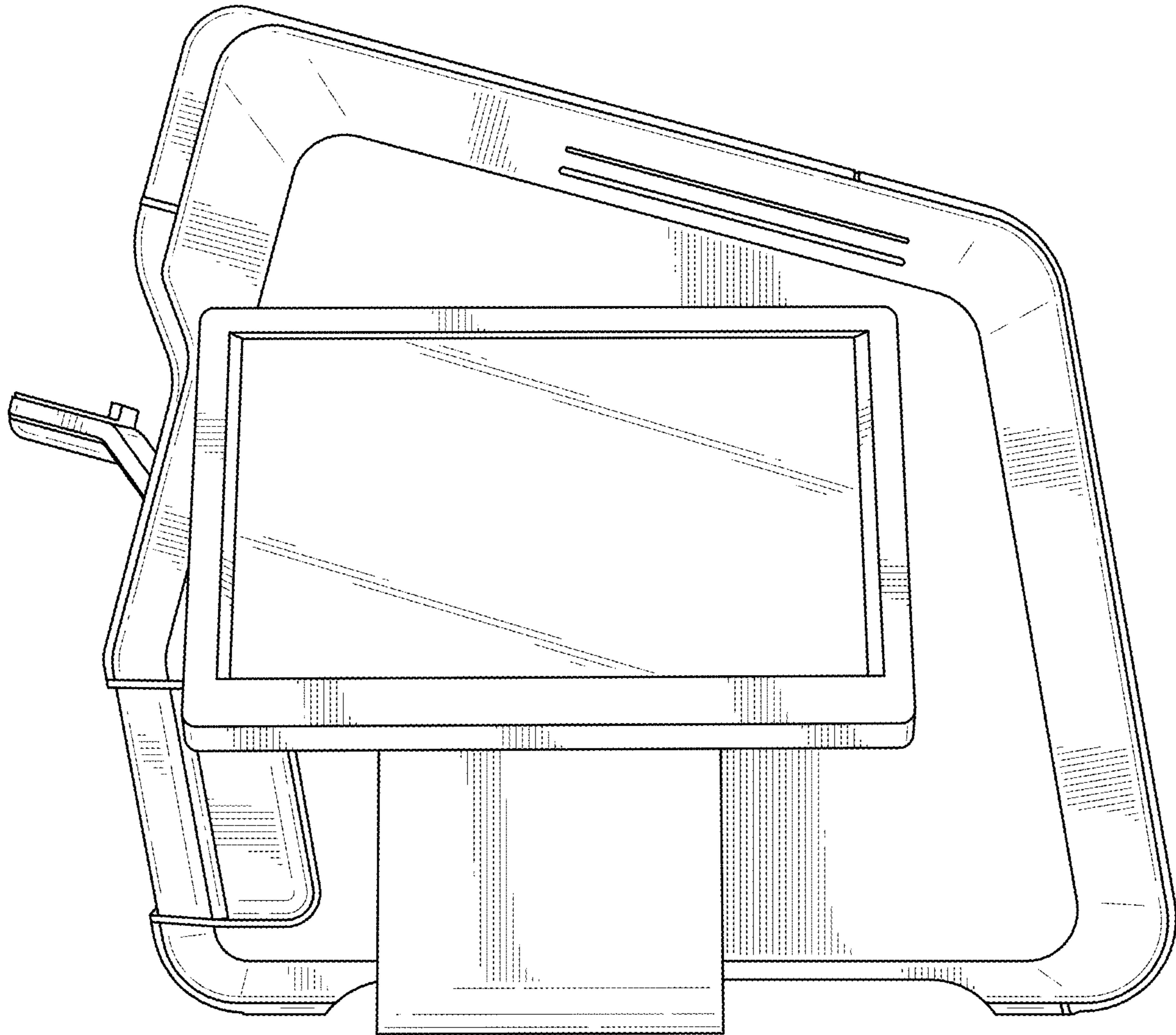


FIG.4

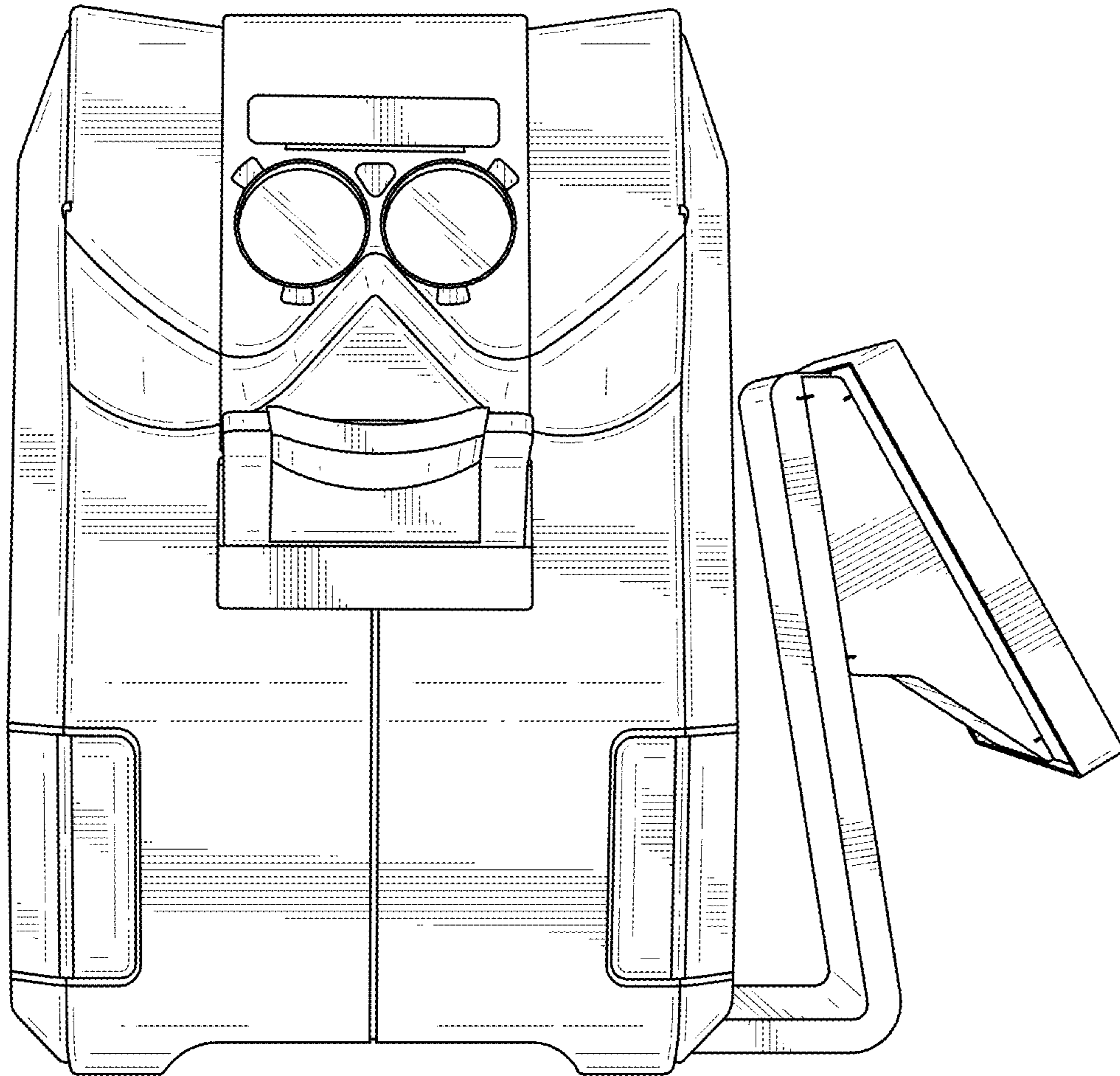


FIG.5

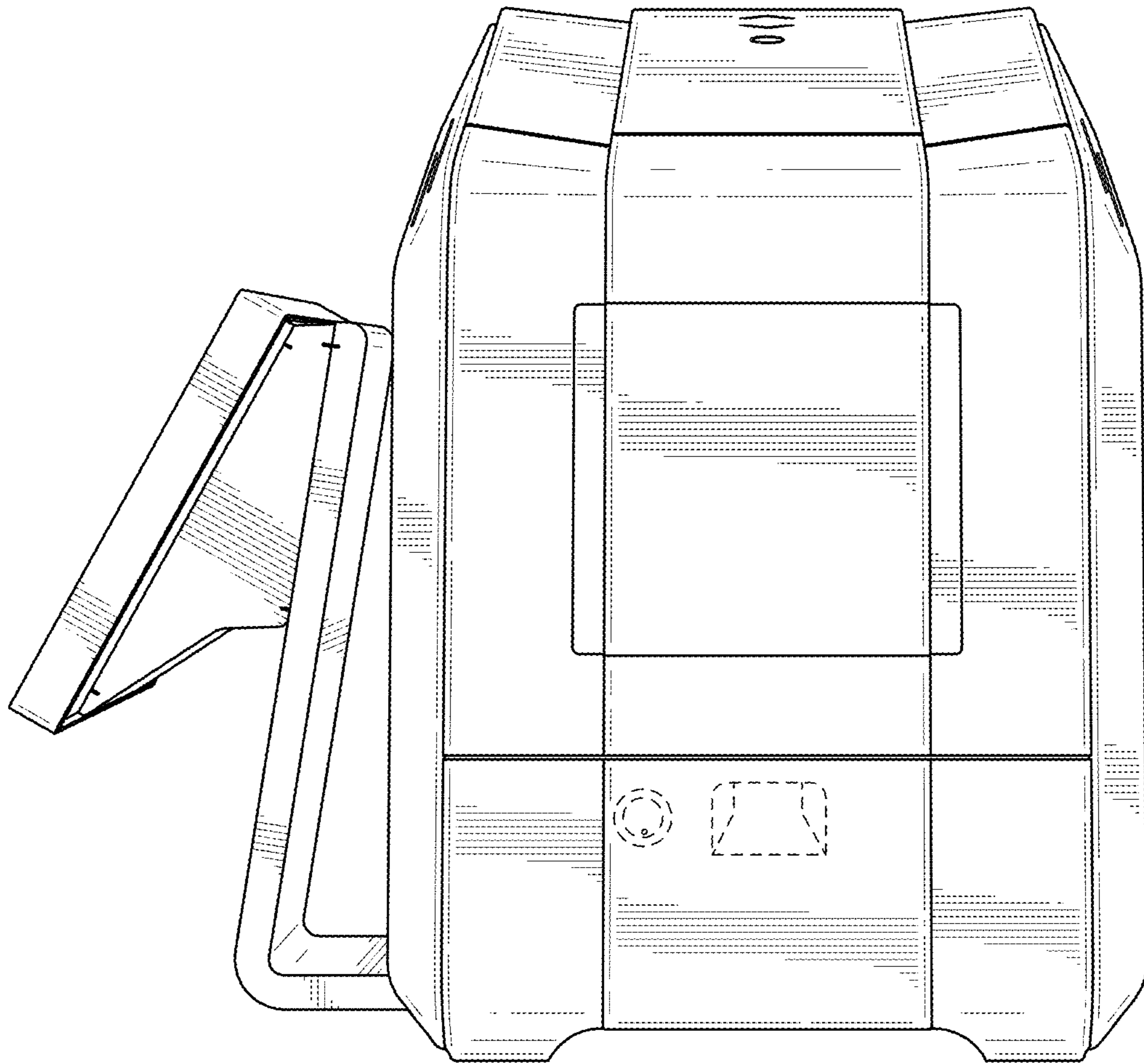


FIG.6

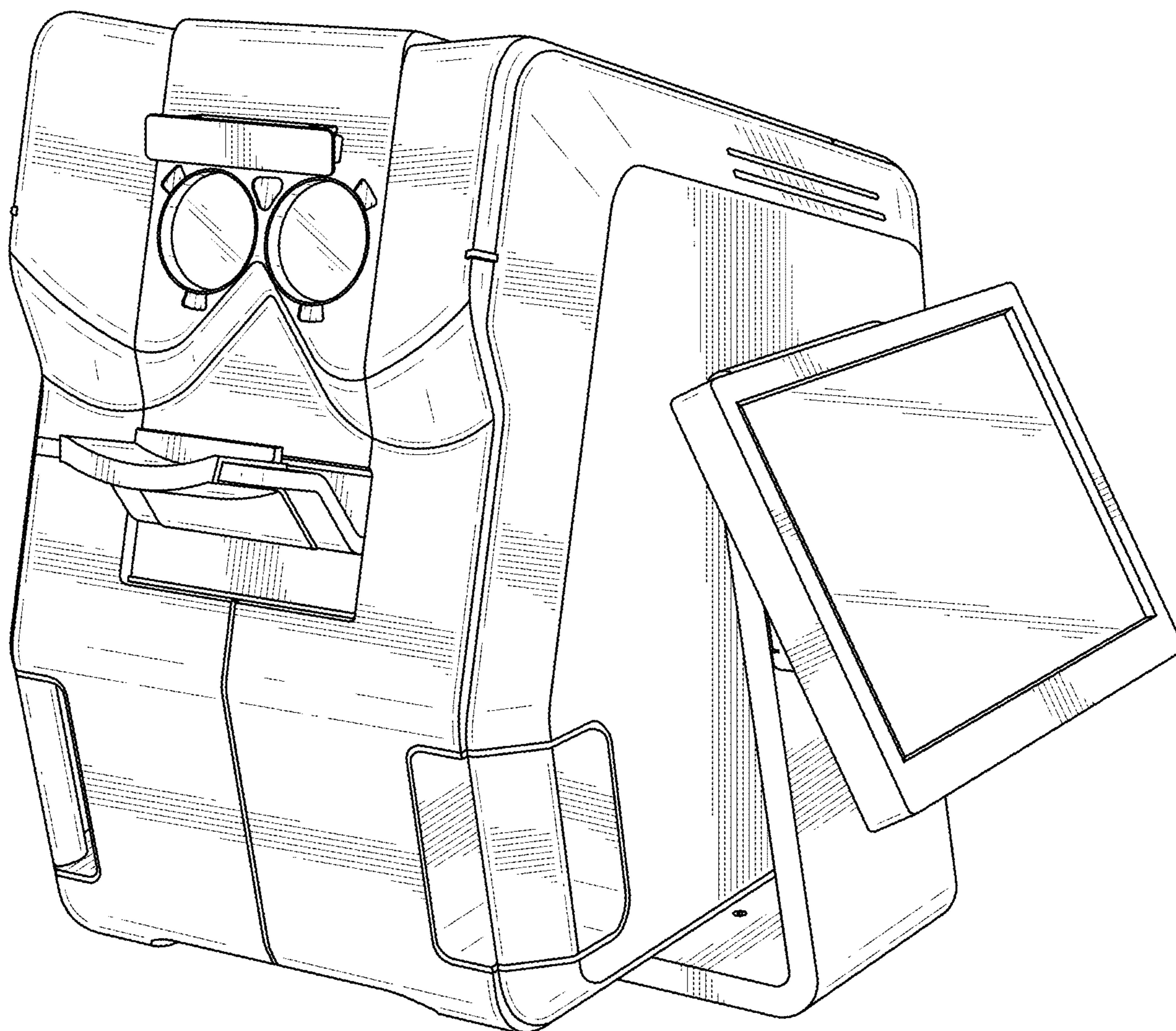


FIG.7