



US00D935618S

(12) **United States Design Patent** (10) **Patent No.:** **US D935,618 S**
Parsons (45) **Date of Patent:** **** Nov. 9, 2021**

(54) **WINDLASS CLIP FOR A TOURNIQUET**
(71) Applicant: **Derek Parsons**, Las Vegas, NV (US)
(72) Inventor: **Derek Parsons**, Las Vegas, NV (US)
(73) Assignee: **Recon Medical, LLC**, Redding, CA (US)

1,987,469 A 1/1935 Devendor et al.
2,062,734 A 12/1936 Troendly
2,084,412 A 6/1937 Schaefer
2,189,574 A 2/1940 Anderson
(Continued)

(**) Term: **15 Years**
(21) Appl. No.: **29/706,041**

(22) Filed: **Sep. 17, 2019**
(51) **LOC (13) Cl.** **24-02**
(52) **U.S. Cl.**
USPC **D24/171**
(58) **Field of Classification Search**
USPC D24/169, 143; D21/771
CPC . A61F 5/0102; A61B 17/1327; A61B 17/122;
A61B 17/1322; A61B 34/25
See application file for complete search history.

OTHER PUBLICATIONS

“Recon . . . ” found by RMS on Dec. 2, 2020 on the internet at <https://www.originalsoeegear.com/products/recon-medical-gen-3-mil-spec-tq>.

(Continued)

Primary Examiner — Rhea Shields
(74) *Attorney, Agent, or Firm* — Scheinberg & Associates, PC; Michael O. Scheinberg

(57) **CLAIM**

The ornamental design for a windlass clip for a tourniquet, as shown and described.

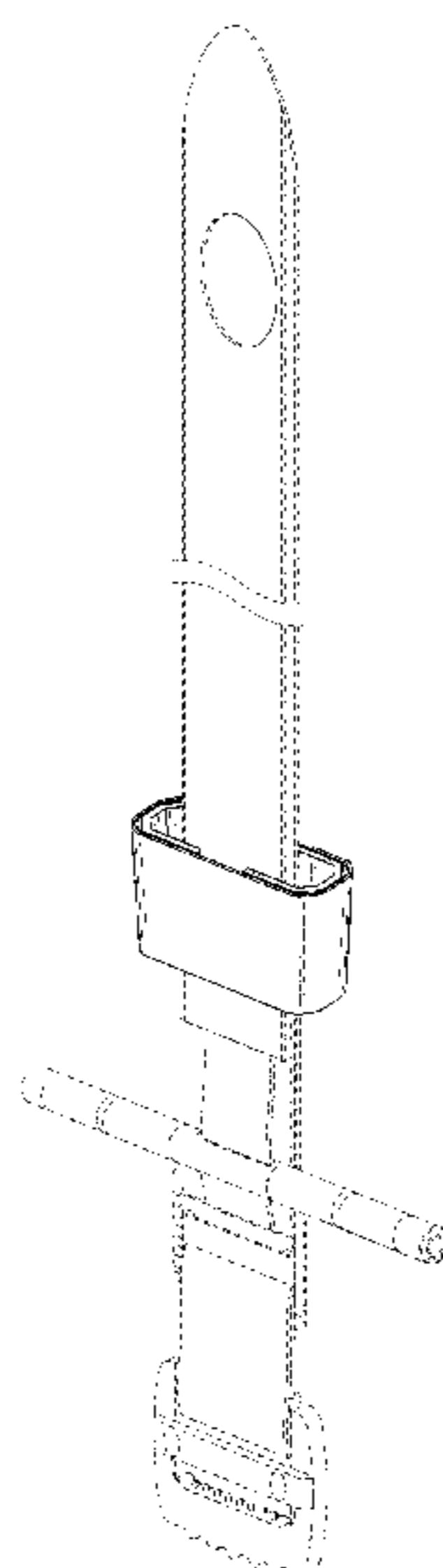
DESCRIPTION

(56) **References Cited**
U.S. PATENT DOCUMENTS

104,683 A	6/1870	Alexander
341,127 A	5/1886	Bretzfield
486,374 A	11/1892	Greenwood et al.
631,659 A	8/1899	Orewiler
840,878 A	1/1907	Stenzy
871,981 A	11/1907	Blum
892,963 A	7/1908	Lebowitz
1,147,955 A	7/1915	Langhammer
1,232,546 A	7/1917	Holden
1,299,734 A	4/1919	Kerngood
1,325,948 A	12/1919	Lebowitz
1,423,639 A	7/1922	Anderson
D64,754 S	5/1924	Kline
1,653,852 A	12/1927	Hatheway
1,679,306 A	7/1928	Hirsh
D78,590 S	5/1929	Shields
1,820,578 A	8/1931	Mosgrove
1,887,614 A	11/1932	Louis
1,934,951 A	11/1933	Schaefer

FIG. 1 is a perspective view of the windlass clip for a tourniquet, showing the new design;
FIG. 2 is a front elevational view of the windlass clip for a tourniquet thereof;
FIG. 3 is a rear elevational view of the windlass clip for a tourniquet thereof;
FIG. 4 is a left side elevational view of the windlass clip for a tourniquet thereof;
FIG. 5 is a right side elevational view of the windlass clip for a tourniquet thereof;
FIG. 6 is a top plan view of the windlass clip for a tourniquet thereof; and,
FIG. 7 is a bottom plan view of the windlass clip for a tourniquet thereof.
In the drawings, the broken lines are for the purpose of illustrating environment only and forms no part of the claimed design.

1 Claim, 5 Drawing Sheets



(56)

References Cited

U.S. PATENT DOCUMENTS

D121,618 S 7/1940 Reiter
 D125,083 S 2/1941 Dickson
 D138,185 S 7/1944 Reiter
 2,480,430 A 8/1949 Nugent
 3,156,243 A * 11/1964 Sculley A61B 17/1322
 606/203
 3,760,466 A 9/1973 Leblanc
 3,786,816 A * 1/1974 Wolvek A61B 17/122
 606/142
 3,869,763 A 3/1975 Senk et al.
 4,023,826 A 5/1977 Kokubo et al.
 4,171,555 A 10/1979 Bakker et al.
 4,561,437 A 12/1985 Kirchner
 D287,067 S 12/1986 Kasai
 D303,456 S 9/1989 Selisky
 D308,166 S 5/1990 Weckman
 D328,044 S 7/1992 Murai
 D328,045 S 7/1992 Matoba
 5,243,741 A 9/1993 Fudaki et al.
 D352,254 S 11/1994 Prosser
 D352,255 S 11/1994 Prosser
 D356,491 S 3/1995 Anscher
 D364,833 S 12/1995 Matoba
 D381,427 S * 7/1997 Marrero D24/169
 D386,110 S 11/1997 Hetrick et al.
 D394,024 S 5/1998 Johnson
 D411,485 S 6/1999 Dreyfus et al.
 D413,281 S 8/1999 Uehara
 D419,106 S 1/2000 Uehara
 D426,791 S 6/2000 Nezu
 D427,547 S 7/2000 Yoshiguchi
 6,149,618 A 11/2000 Sato
 D436,057 S 1/2001 Hotta
 6,217,601 B1 4/2001 Chao
 D446,162 S 8/2001 Kung
 D450,263 S 11/2001 Striebel
 D452,185 S 12/2001 Yoshiguchi
 D456,309 S 4/2002 Yoshiguchi
 D467,838 S 12/2002 Yoshiguchi
 D471,132 S 3/2003 Murata
 6,622,348 B1 9/2003 Buscart
 D483,294 S 12/2003 Uehara
 D486,093 S 2/2004 Tobergte
 D491,103 S 6/2004 Uehara et al.
 D505,094 S 5/2005 Matoba et al.
 D507,763 S 7/2005 Kaneko et al.
 D507,990 S 8/2005 Yoshiguchi
 D509,769 S 9/2005 Krauss
 D520,908 S 5/2006 Haymond
 D536,280 S 2/2007 Wemmer
 D538,198 S 3/2007 Wemmer
 D545,243 S 6/2007 Gracer et al.
 D562,729 S 2/2008 Hitchcock et al.
 D563,270 S 3/2008 Zeng
 D568,786 S 5/2008 Yang et al.
 D576,077 S 9/2008 Yoshiguchi
 D586,259 S 2/2009 Kelleghan
 D586,692 S 2/2009 Nykoluk
 D605,554 S 12/2009 Yang
 D610,946 S 3/2010 Harada
 D617,234 S 6/2010 Chan
 D620,837 S 8/2010 Schiebl
 D623,556 S 9/2010 Pontaoe
 7,842,067 B2 11/2010 Esposito
 D628,515 S 12/2010 Schiebl
 7,892,253 B2 2/2011 Esposito et al.
 D649,087 S 11/2011 Harada

D649,642 S * 11/2011 Johnson A61B 17/1322
 D24/143
 D649,907 S 12/2011 Kataguchi
 D653,169 S 1/2012 Lo
 D682,155 S 5/2013 Parsons
 D689,608 S * 9/2013 Kerstein D24/143
 D703,096 S 4/2014 Kelleghan
 D712,306 S 9/2014 Fildan et al.
 D713,759 S 9/2014 Guney et al.
 D717,206 S 11/2014 Iannello et al.
 8,888,307 B2 11/2014 Esposito
 D729,689 S 5/2015 Kelleghan
 D733,305 S 6/2015 Miyashita et al.
 D786,735 S 5/2017 Koreishi et al.
 D791,951 S * 7/2017 Henderson D24/169
 D810,300 S * 2/2018 Parsons D24/169
 D812,170 S * 3/2018 Henderson D21/771
 9,986,790 B2 6/2018 Ness et al.
 D823,466 S 7/2018 Marogil
 D823,717 S 7/2018 Ho
 D824,522 S * 7/2018 Brown A61B 17/1327
 D24/169
 10,016,203 B2 7/2018 Esposito
 D825,752 S * 8/2018 Dimino D24/143
 D826,408 S * 8/2018 Harder D24/169
 D828,564 S * 9/2018 Harder D24/169
 D840,869 S 2/2019 Koreishi
 D840,870 S 2/2019 Koreishi
 D847,016 S 4/2019 Stringham
 D855,186 S * 7/2019 Donald D24/169
 D858,774 S * 9/2019 Parsons D24/169
 D858,938 S 9/2019 He
 D860,858 S 9/2019 Evans et al.
 D891,614 S 7/2020 Dimino
 10,761,412 B1 9/2020 Postolek
 2003/0028215 A1 2/2003 Brooks
 2005/0240217 A1 * 10/2005 Jennifer A61B 17/1322
 606/203
 2007/0163088 A1 7/2007 Gracer et al.
 2008/0281351 A1 11/2008 Croushorn et al.
 2009/0005804 A1 1/2009 Esposito et al.
 2009/0062842 A1 3/2009 Esposito et al.
 2010/0057120 A1 3/2010 Kirkham
 2010/0170065 A1 7/2010 Paik
 2010/0312271 A1 12/2010 Chao
 2011/0087264 A1 4/2011 Esposito
 2011/0178546 A1 7/2011 Johnson et al.
 2011/0239416 A1 10/2011 Shinya et al.
 2011/0270299 A1 11/2011 Rose et al.
 2011/0307004 A1 * 12/2011 Johnson A61B 17/1322
 606/203
 2012/0071917 A1 3/2012 McDonald et al.
 2012/0215254 A1 8/2012 Brub
 2013/0110019 A1 5/2013 Hopman et al.
 2014/0214054 A1 7/2014 Foerster et al.
 2015/0094756 A1 * 4/2015 Kosiorek A61B 17/1322
 606/203
 2017/0032698 A1 * 2/2017 Bronson A61B 34/25
 2017/0035440 A1 * 2/2017 Hopman A61F 5/0102
 2018/0153357 A1 6/2018 Dimino et al.
 2018/0228497 A1 8/2018 Dimino et al.
 2018/0317935 A1 11/2018 Engwall
 2018/0353189 A1 12/2018 Goolsby et al.

OTHER PUBLICATIONS

Amazon—Eyocean tourniquet—Reviewed on Aug. 6, 2018.
 Gistgear—“Gistgear the essential guide to the best gear”—first
 found on Jun. 22, 2018.

* cited by examiner

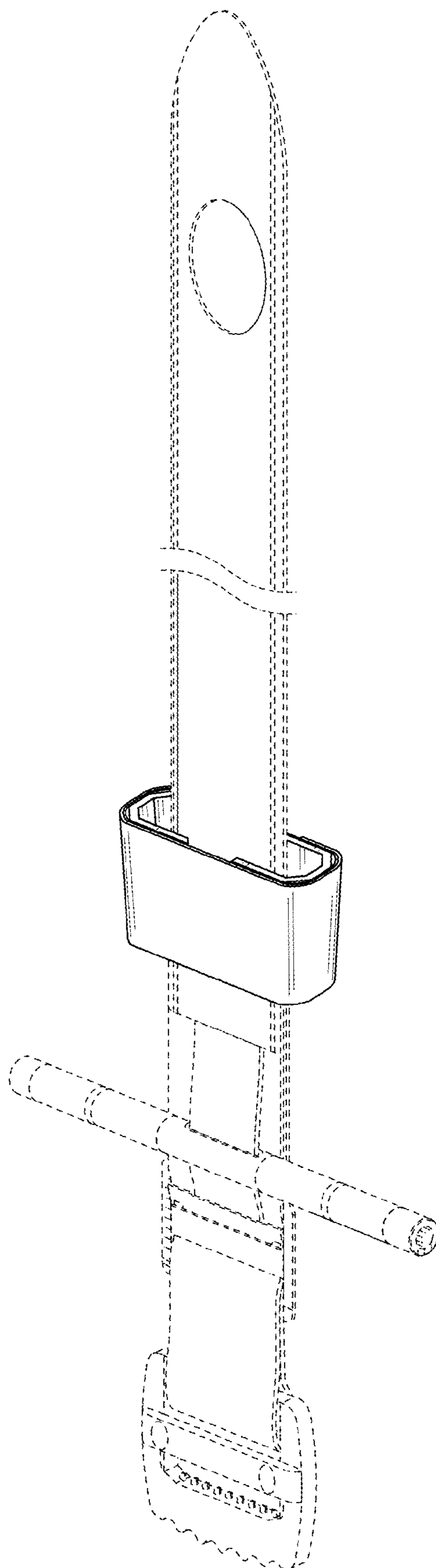


FIG. 1

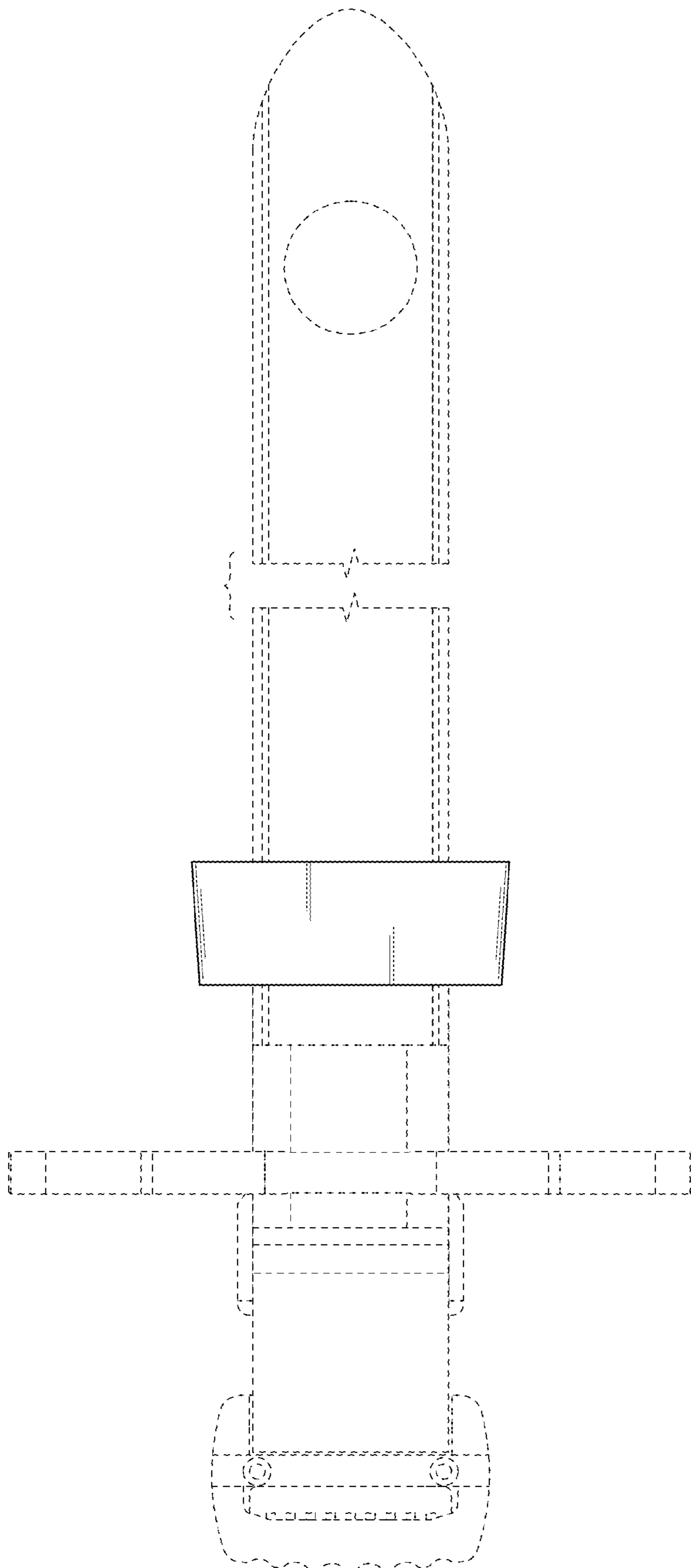


FIG. 2

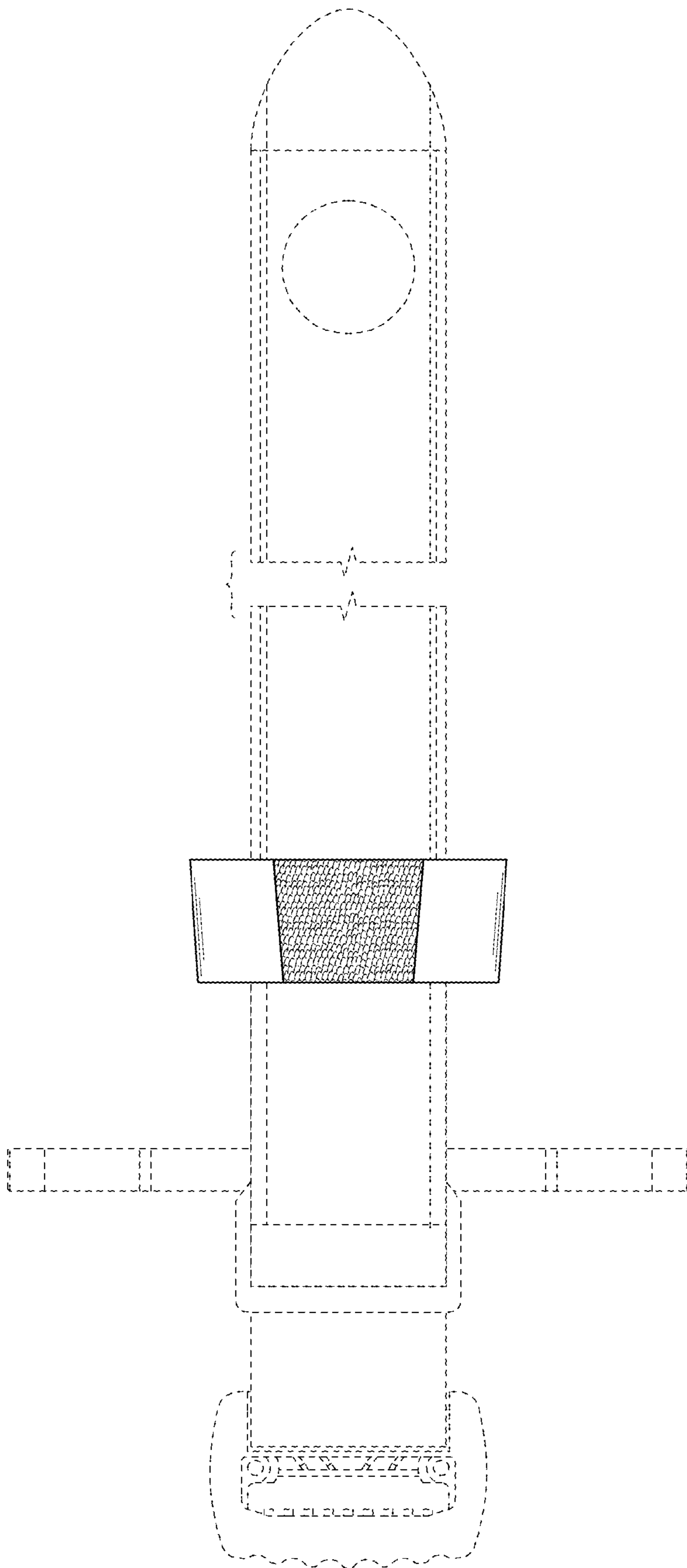


FIG. 3

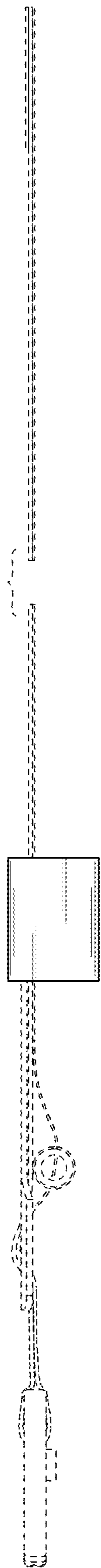


FIG. 4

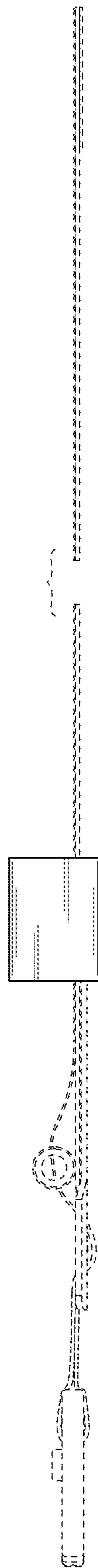


FIG. 5

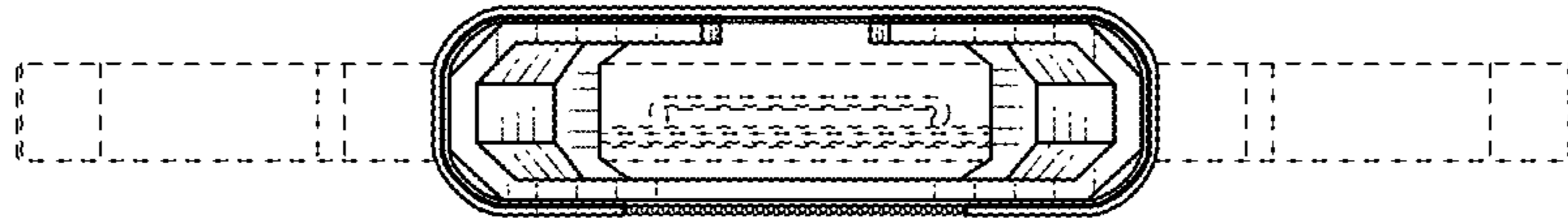


FIG. 6

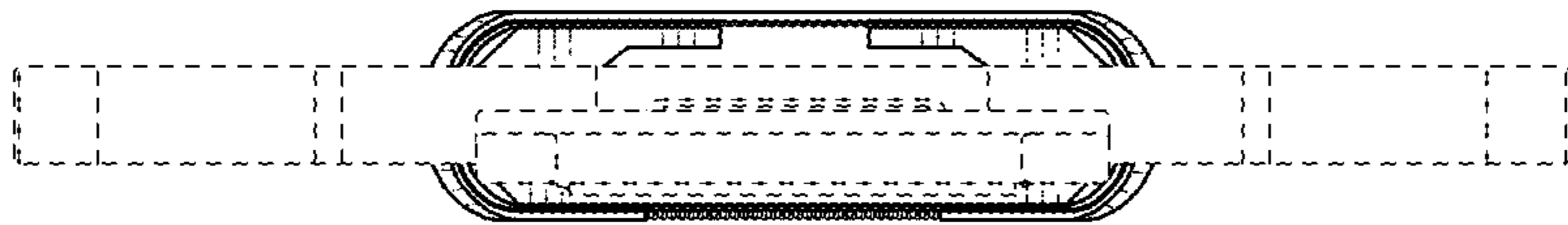


FIG. 7