



US00D935617S

(12) **United States Design Patent** (10) **Patent No.:** **US D935,617 S**
Vardi (45) **Date of Patent:** **** Nov. 9, 2021**

(54) **BELT FOR A MEDICAL MONITOR**

(71) Applicant: **ETROG SYSTEMS LTD.**, Jerusalem (IL)

(72) Inventor: **Eyal Dov Vardi**, Bet Nir (IL)

(73) Assignee: **ETROG SYSTEMS LTD.**, Jerusalem (IL)

(**) Term: **15 Years**

(21) Appl. No.: **29/718,419**

(22) Filed: **Dec. 24, 2019**

(51) **LOC (13) Cl.** **24-01**

(52) **U.S. Cl.**
USPC **D24/167**

(58) **Field of Classification Search**
USPC D24/107, 164-168, 184, 186, 187, 232;
D13/107, 108; D10/75, 32; D14/344;
D11/3
CPC .. A61B 5/02; A61B 5/28; A61B 5/305; A61B
5/318; A61B 5/8332; A61B 5/02055;
A61B 2560/0425; A61B 5/0245; A61B
5/0255

See application file for complete search history.

(56) **References Cited**

U.S. PATENT DOCUMENTS

D432,240	S	*	10/2000	Katz	D24/165
D637,506	S	*	5/2011	Toyoshima	D10/70
8,868,216	B2	*	10/2014	Dunagan	A61B 5/6804 607/149
D760,395	S	*	6/2016	Barbaric	D24/186
D780,316	S	*	2/2017	Pukall	D24/186
D790,366	S	*	6/2017	Nuovo	D10/32
D800,583	S	*	10/2017	Ahong	D10/52
D838,370	S	*	1/2019	Bardy	D24/167
10,383,529	B2	*	8/2019	Tokko	A61B 5/02225
D865,970	S	*	11/2019	Haapakoski	D24/167
D893,033	S	*	8/2020	Ye	D24/167

D904,920	S	*	12/2020	Harms	D11/3
2005/0277821	A1	*	12/2005	Payne, Jr.	A61B 5/24 600/383
2010/0036270	A1	*	2/2010	Chen	A61B 5/303 600/509
2013/0116534	A1	*	5/2013	Woo	A61B 5/0002 600/391

(Continued)

OTHER PUBLICATIONS

Best Heart Rate Monitor for Cycling [Review] in 2021, posted at pedallers.com, last updated Feb. 4, 2021, retrieved Apr. 20, 2021, online, URL: <https://pedallers.com/best-heart-rate-monitor-for-cycling/> (Year: 2021).*

Primary Examiner — Lilyana Bekic

Assistant Examiner — Mary Shannon Malley

(74) *Attorney, Agent, or Firm* — Amster, Rothstein & Ebenstein LLP

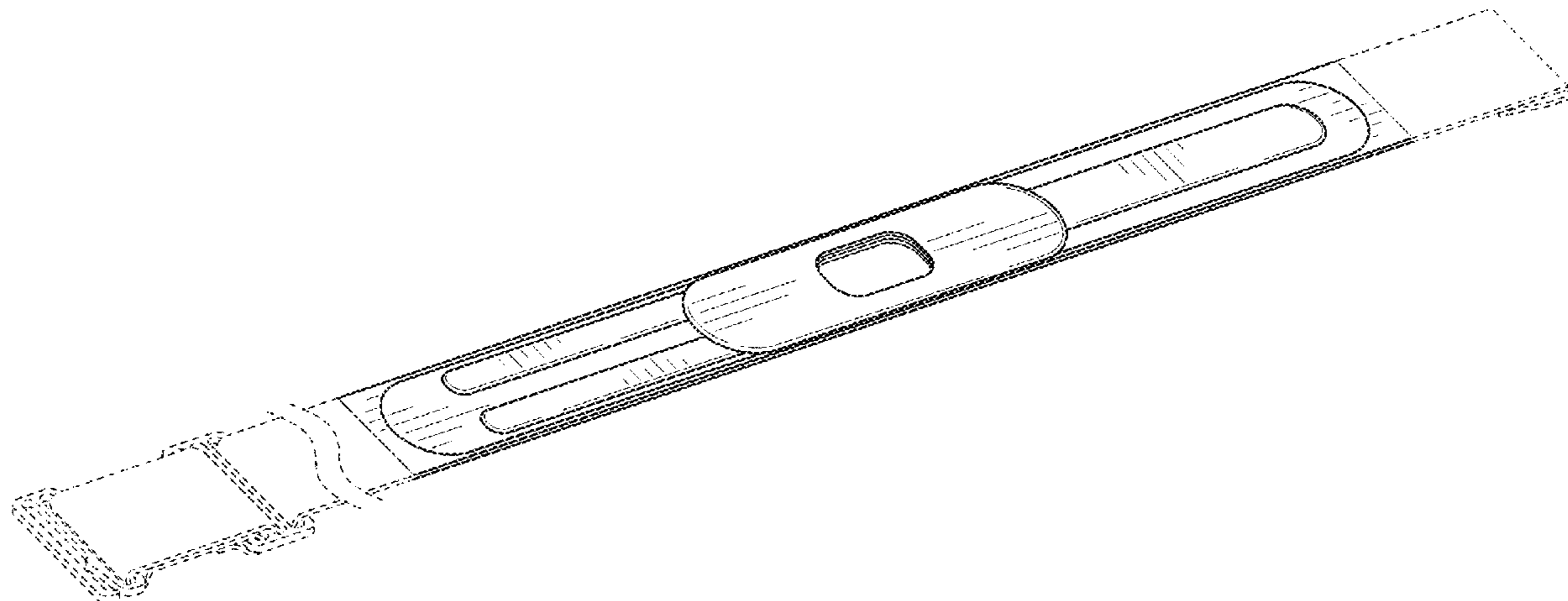
(57) **CLAIM**

The ornamental design for a belt for a medical monitor, as shown and described.

DESCRIPTION

FIG. 1 is a top perspective view of a belt for a medical monitor showing my new design; FIG. 2 is a top view thereof; FIG. 3 is a bottom view thereof; FIG. 4 is a side view thereof; FIG. 5 is an opposite side view thereof; FIG. 6 is a front view thereof; FIG. 7 is a rear view thereof; and, FIG. 8 is a bottom perspective view. The dash-dot broken lines depict the boundaries of the claimed design and form no part thereof. The dash-dash broken lines illustrate portions of the belt for a medical monitor that form no part of the claimed design.

1 Claim, 4 Drawing Sheets



(56)

References Cited

U.S. PATENT DOCUMENTS

2014/0336493 A1 * 11/2014 Kulach A61B 5/6831
600/390

* cited by examiner

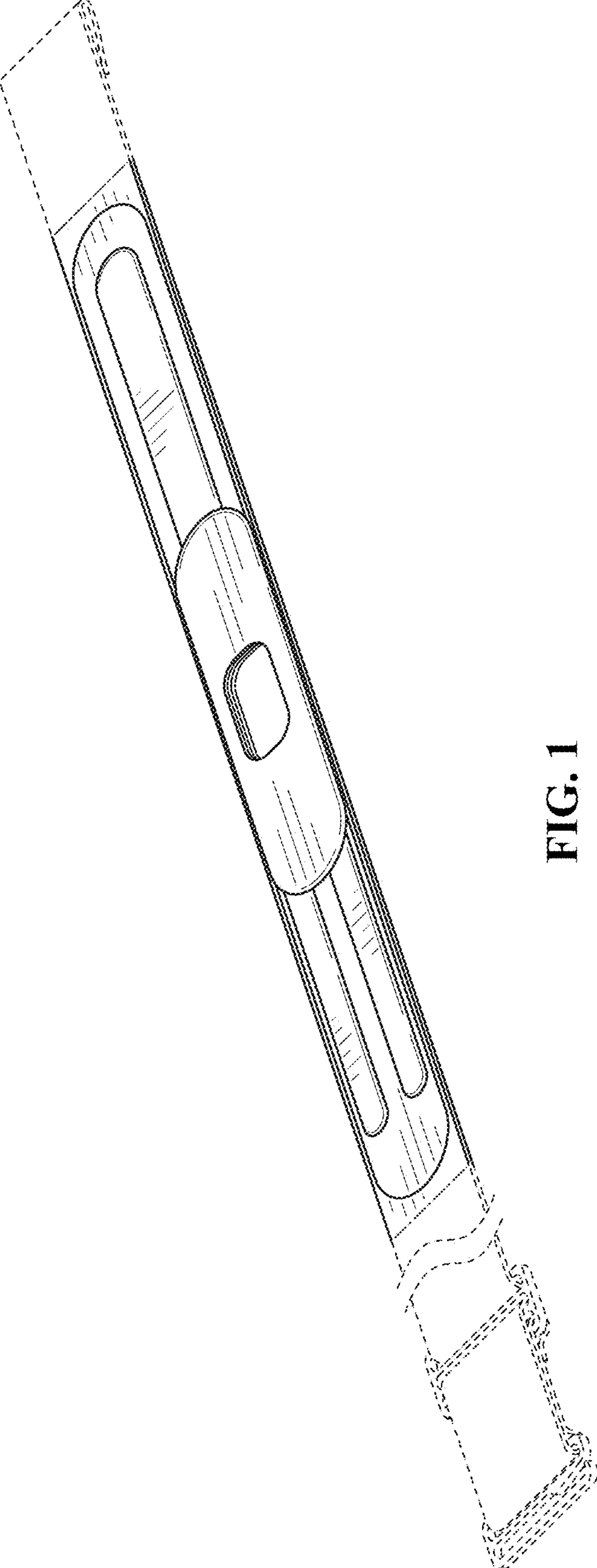


FIG. 1

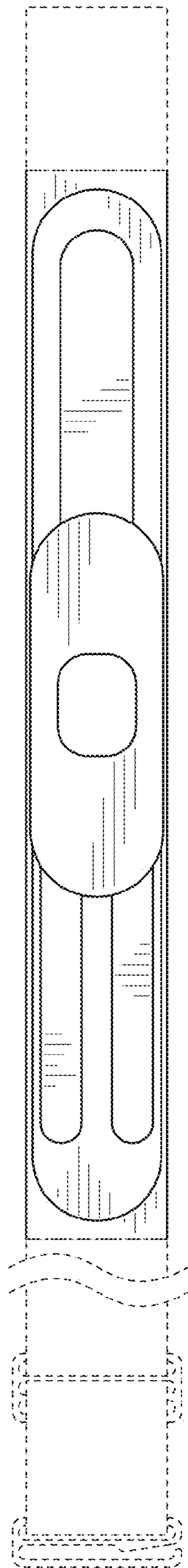


FIG. 2

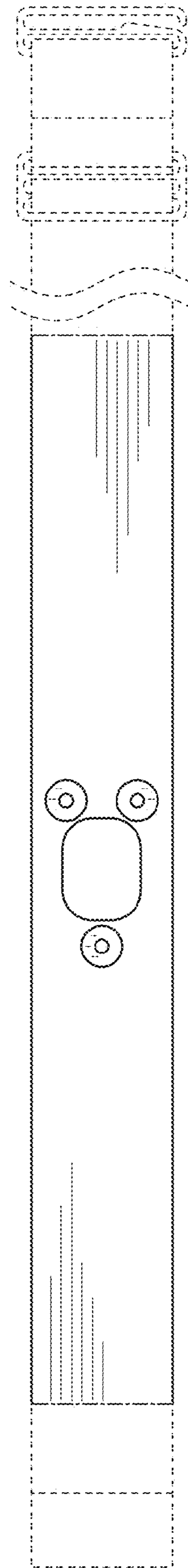


FIG. 3

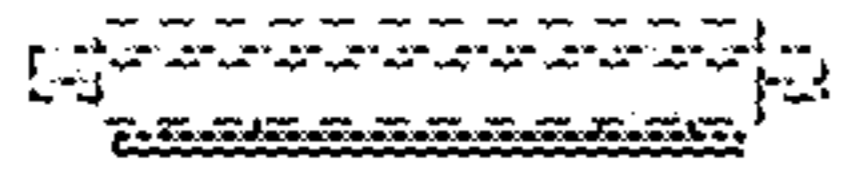


FIG. 4

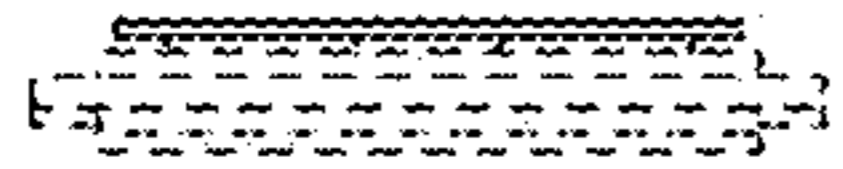


FIG. 5

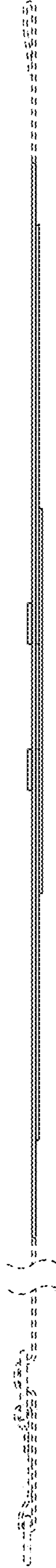


FIG. 6

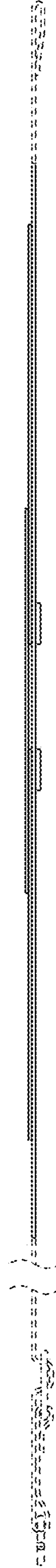


FIG. 7

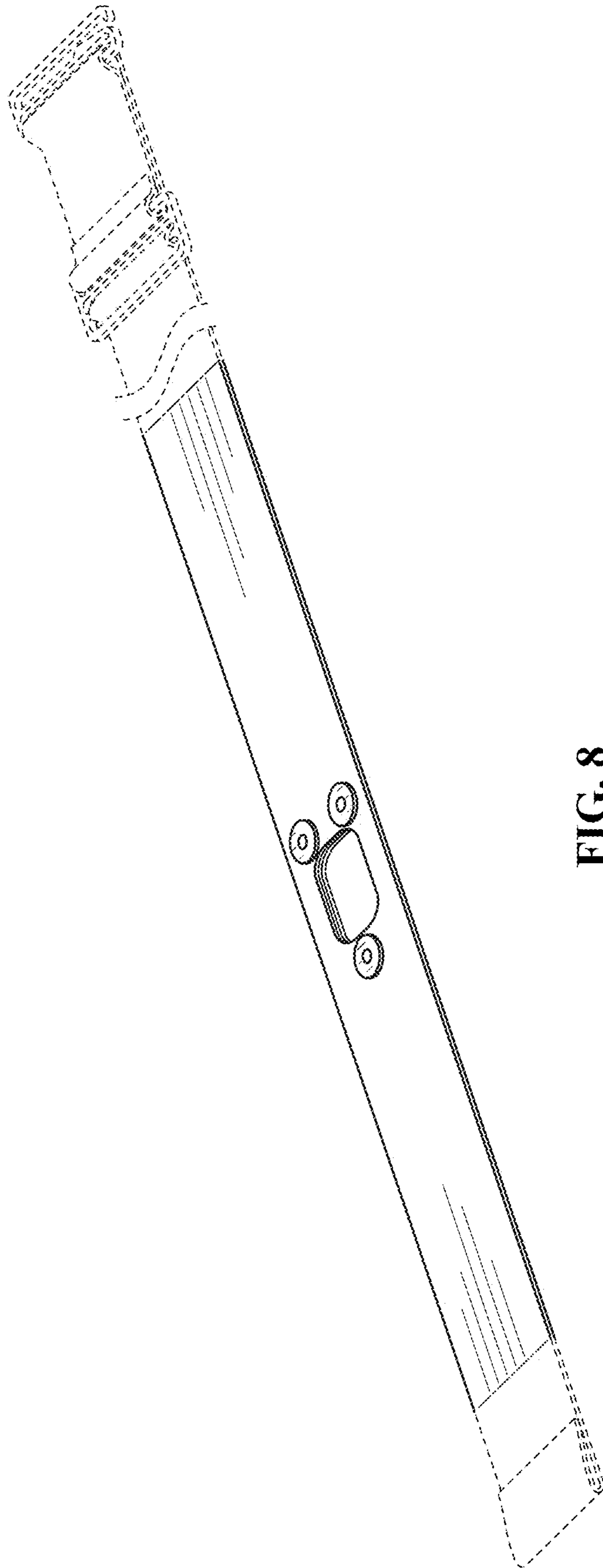


FIG. 8