



US00D935613S

(12) **United States Design Patent** (10) **Patent No.:** **US D935,613 S**
McNeely (45) **Date of Patent:** **** Nov. 9, 2021**

(54) **INTRAMEDULLARY CEMENT SPACER MOLD SYSTEM**

17/154; A61B 17/155; A61B 17/157;
A61B 17/158; A61B 17/16; A61B
17/1613; A61B

(71) Applicant: **Brent Austin McNeely**, Breinigsville,
PA (US)

(Continued)

(72) Inventor: **Brent Austin McNeely**, Breinigsville,
PA (US)

(56) **References Cited**

(**) Term: **15 Years**

U.S. PATENT DOCUMENTS

(21) Appl. No.: **29/736,400**

1,534,134 A * 4/1925 Murray B28B 7/18
249/123
3,107,666 A * 10/1963 Cecere A61B 17/742
606/67

(22) Filed: **May 29, 2020**

(Continued)

(51) **LOC (13) Cl.** **24-03**

OTHER PUBLICATIONS

(52) **U.S. Cl.**

USPC **D24/155**

Research Gate, "Mold for standardized production of hip spacers",
first available Oct. 2008. (https://www.researchgate.net/figure/Mold-for-standardized-production-of-hip-spacers-The-spacer-has-a-stem-length-of-10-cm-a_fig5_5456506) (Year: 2008).*

(58) **Field of Classification Search**

USPC D6/522, 523, 525, 526, 553, 566; D8/49,
D8/51, 52, 59, 60, 64, 82, 85, 349, 499,
D8/86, 95, 97, 300, 303; D14/372;
D15/138, 139; D16/100, 130, 309;
D24/108, 112, 113, 114, 115, 119, 127,
D24/128, 129, 130, 133, 137, 142, 144,
D24/145, 146, 147, 148, 150, 155, 158,
D24/160, 170, 171, 172, 173, 181, 185,
D24/186, 188, 200, 215, 216, 222, 231,
D24/232; D25/38.1, 41.1; D10/57;
D28/7

(Continued)

Primary Examiner — Christian P. McLean

Assistant Examiner — Justin A Johnson

CPC A61B 3/00; A61B 3/0016; A61B 3/0025;
A61B 3/0033; A61B 3/0041; A61B
3/0075; A61B 3/0083; A61B 3/0091;
A61B 3/02; A61B 3/10; A61B 3/1005;
A61B 3/12; A61B 3/13; A61B 3/18;
A61B 17/00; A61B 2017/00349; A61B
2017/00455; A61B 2017/00464; A61B
2017/00473; A61B 2017/0053; A61B
17/0057; A61B 17/0231; A61B 17/04;
A61B 17/064; A61B 17/0642; A61B
17/0643; A61B 17/0644; A61B
2017/0688; A61B 17/14; A61B 17/142;
A61B 17/15; A61B 17/151; A61B

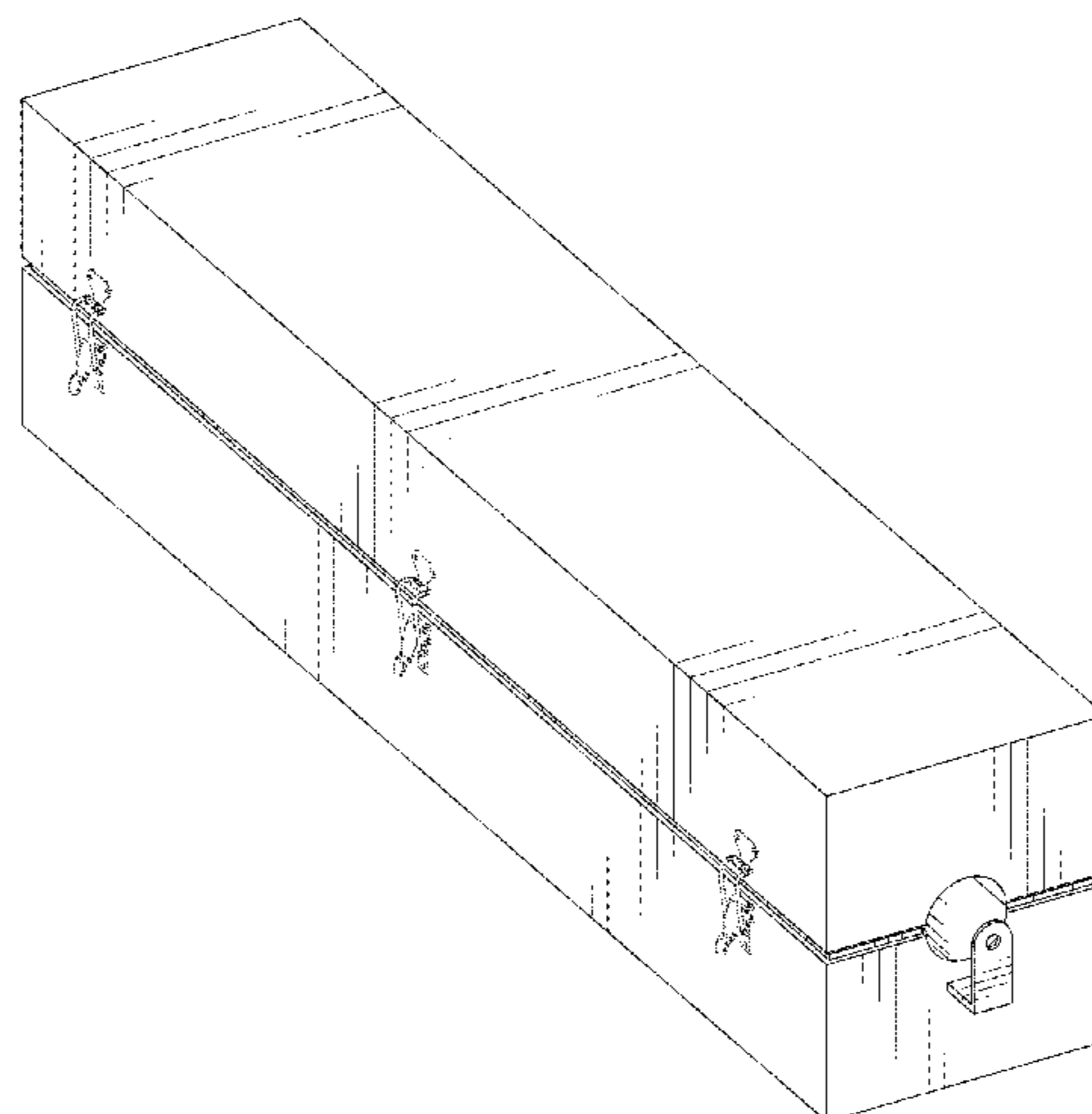
(57) **CLAIM**

The ornamental design for an intramedullary cement spacer mold system, as shown and described.

DESCRIPTION

FIG. 1 is a perspective view of the intramedullary cement spacer mold system showing my new design;
FIG. 2 is an exploded view thereof;
FIG. 3 is a front elevation view thereof;
FIG. 4 is a rear elevation view thereof;
FIG. 5 is a top plan view thereof;
FIG. 6 is a bottom plan view thereof;
FIG. 7 is a right side elevation view thereof; and,
FIG. 8 is a left side elevation view thereof.

(Continued)



The broken lines showing a fastener in FIG. 1 through 8 are included for the purpose of showing environmental structure and form no part of the claimed design.

1 Claim, 8 Drawing Sheets

(58) **Field of Classification Search**

CPC 17/1615; A61B 17/1617; A61B 2090/0817;
 A61B 2017/00663; A61B 17/0401; A61B
 2017/0404; A61B 10/00; A61B 10/02;
 A61B 2010/0208; A61B 10/04; A61B
 2010/045; A61B 17/221; A61B 17/34;
 A61B 17/3415; B23D 51/025; A61F 9/00;
 A61F 9/007; A61F 9/0133; A61F
 2210/0004; E21B 10/00; A61H 5/00;
 A61H 5/005; A61H 2205/022; B28B
 7/00; B28B 7/0002; B28B 7/0032; B28B
 7/0094; B28B 7/16; B28B 7/18

See application file for complete search history.

(56) **References Cited**

U.S. PATENT DOCUMENTS

6,092,519 A * 7/2000 Fish F17C 13/00
 126/263.01
 D685,096 S * 6/2013 Scheiderbauer B28B 7/18
 D24/171

D748,270 S * 1/2016 Pietrantonio F17C 13/00
 D24/186
 D891,632 S * 7/2020 Shalon A61B 17/72
 D24/216
 D904,616 S * 12/2020 DaCosta A61B 17/72
 D24/155
 2005/0096656 A1* 5/2005 Behrens A61B 17/1721
 606/64
 2012/0089148 A1* 4/2012 Vaidya A61B 17/72
 606/92
 2012/0130173 A1* 5/2012 Lutze A61B 1/0052
 600/146
 2014/0336593 A1* 11/2014 Coppeta A61F 9/0017
 604/244
 2016/0332328 A1* 11/2016 Wust A61F 2/3094
 2021/0121209 A1* 4/2021 Orbay A61B 17/72

OTHER PUBLICATIONS

International Journal of Medical Sciences, "Mechanical behaviour of standardized, endoskeleton-including hip spacers implanted into composite femurs", first available 2009. (<https://www.medsci.org/v06p0280.htm>) (Year: 2009).*

Amazon, "Echony Round Silicone Tube Column Mold DIY", first available Jan. 19, 2018. (<https://www.amazon.com/Echony-Silicone-Column-Candle-Templet/dp/B0794XMPCS/>) (Year: 2018).*

Research Gate, "Actuator mold. From above—Inner mold, outer mold and rod with holder", first available Nov. 2019. (https://www.researchgate.net/figure/Actuator-mold-From-above-Inner-mold-outer-mold-and-rod-with-holder_fig1_339806521) (Year: 2019).*

* cited by examiner

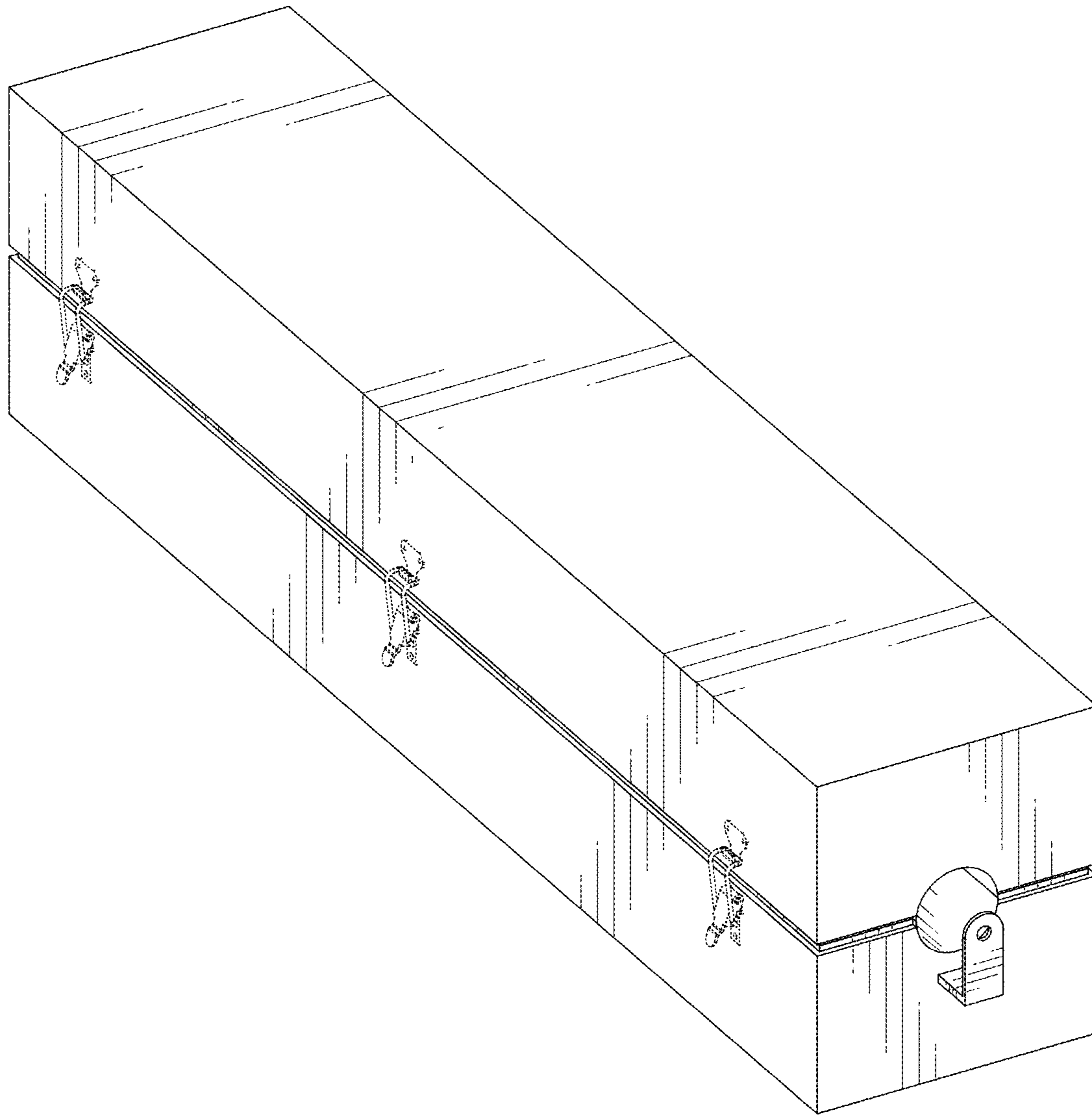


FIG. 1

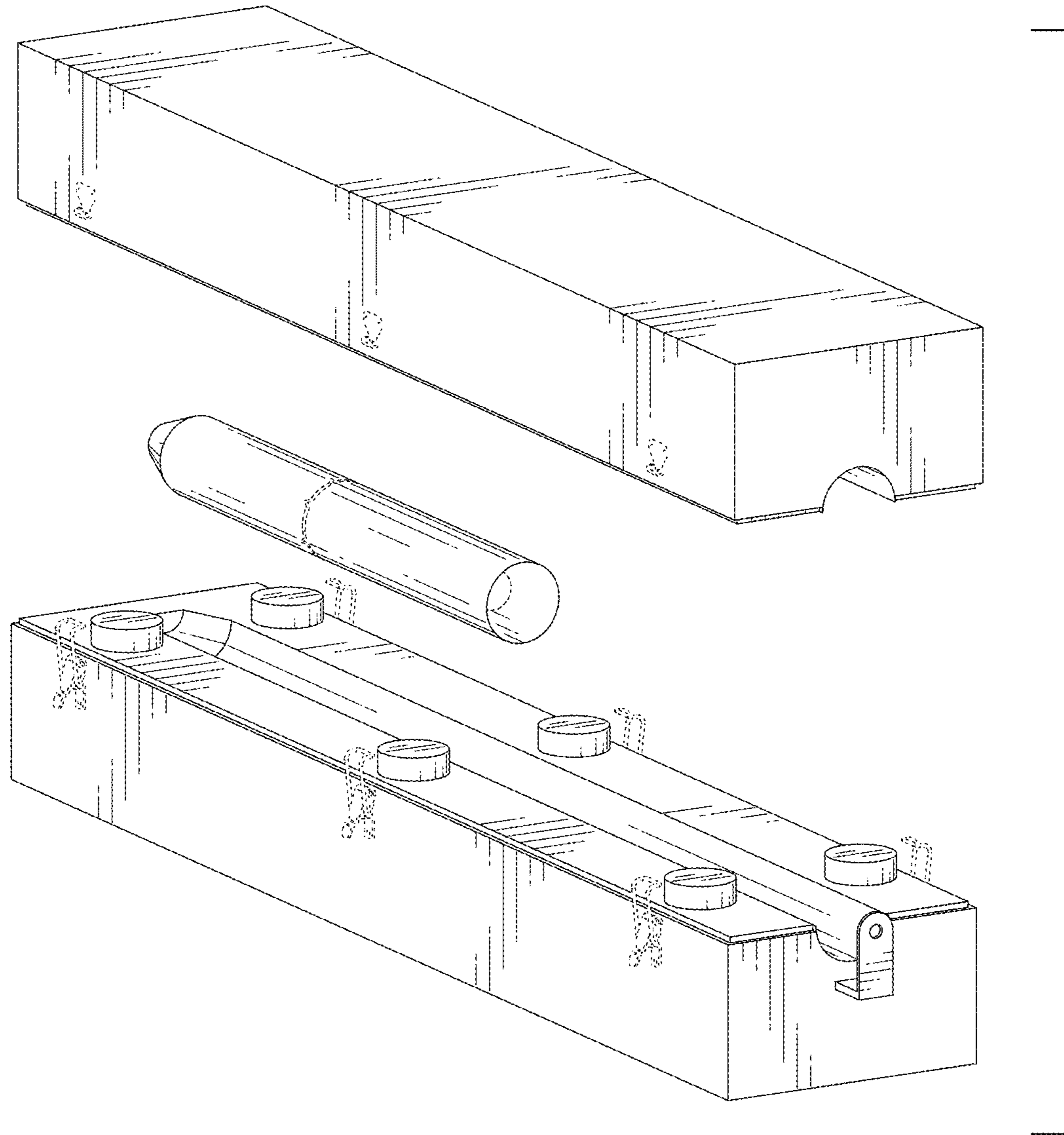


FIG. 2

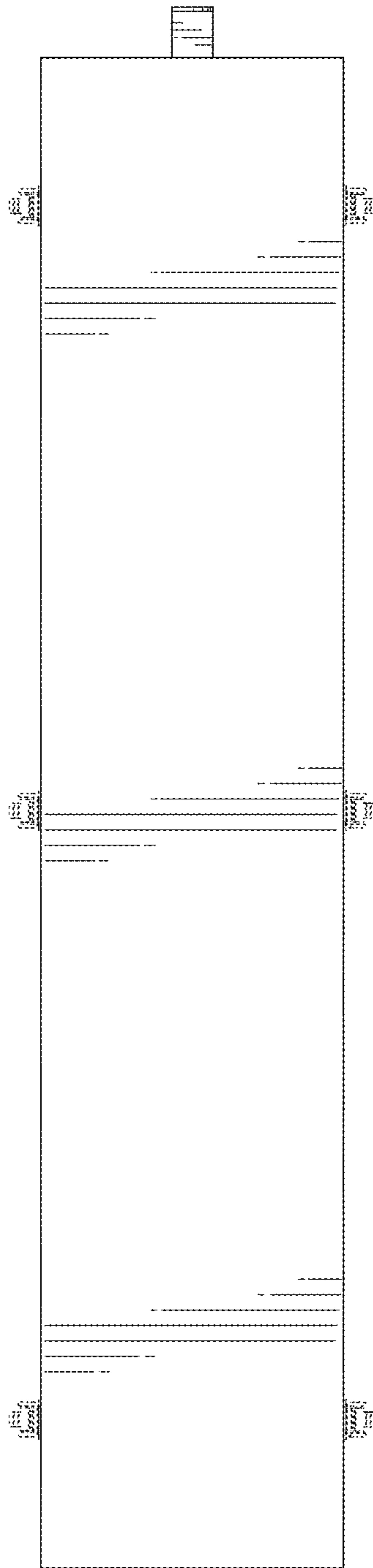


FIG. 3

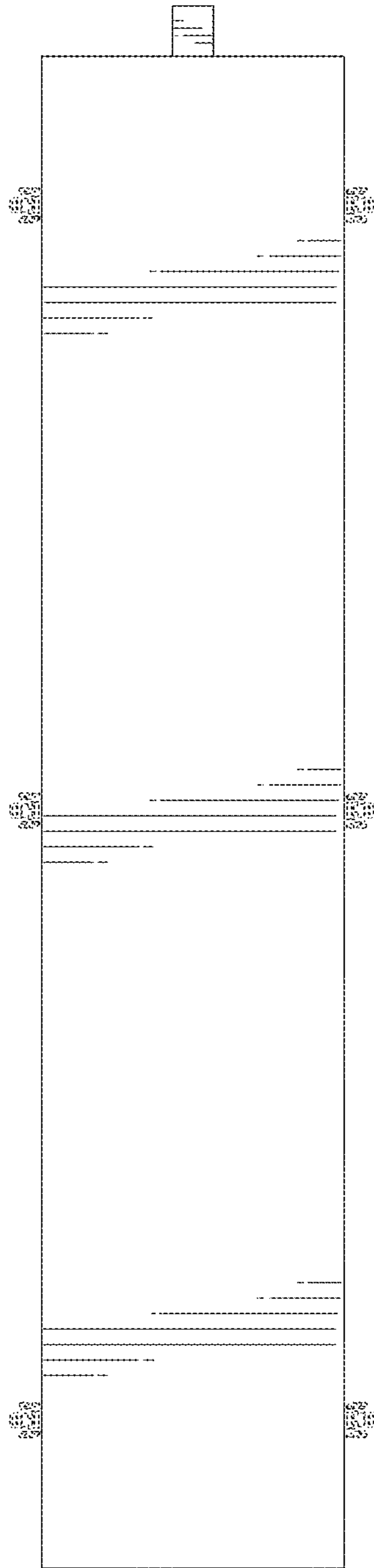


FIG. 4

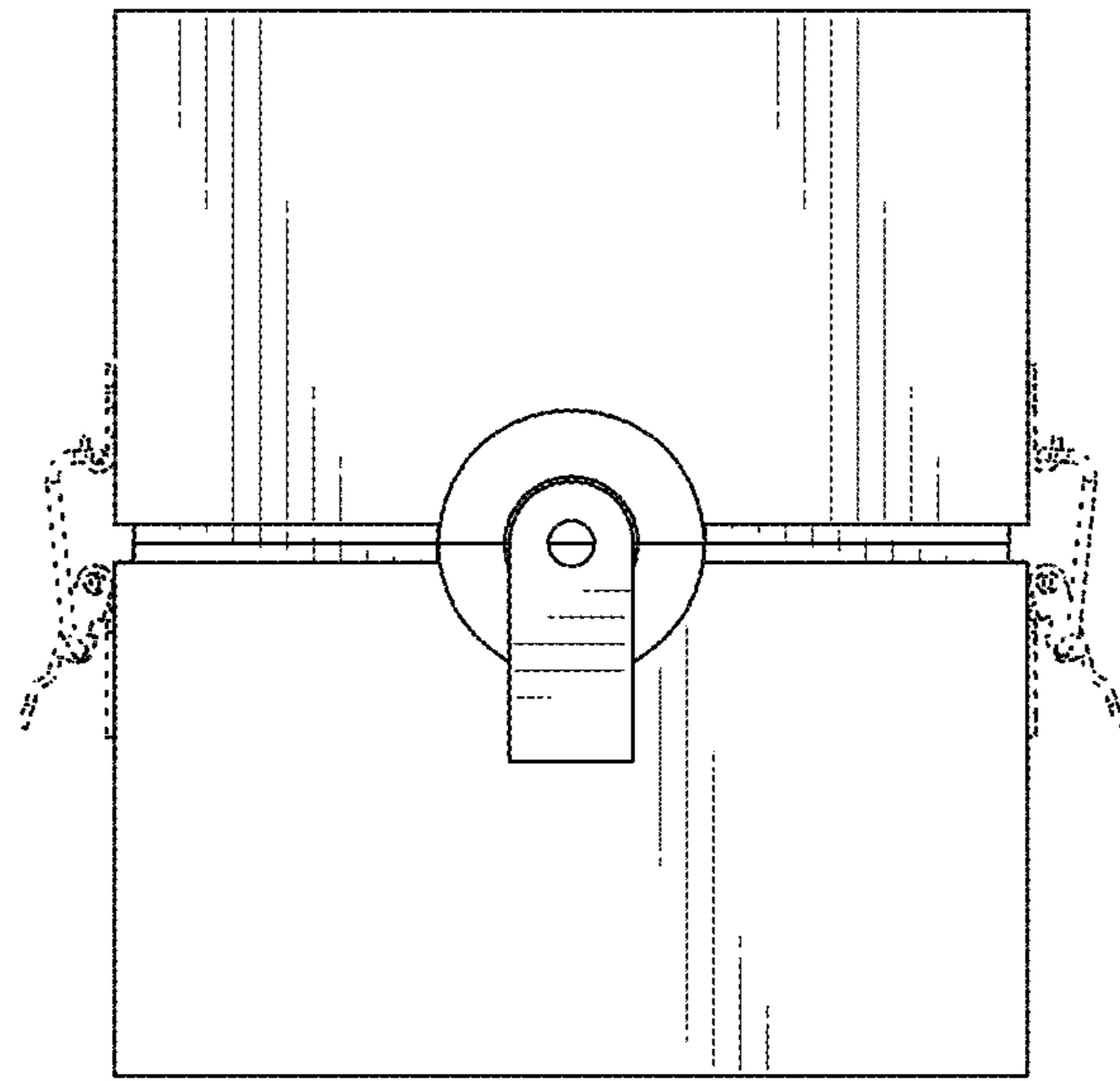


FIG. 5

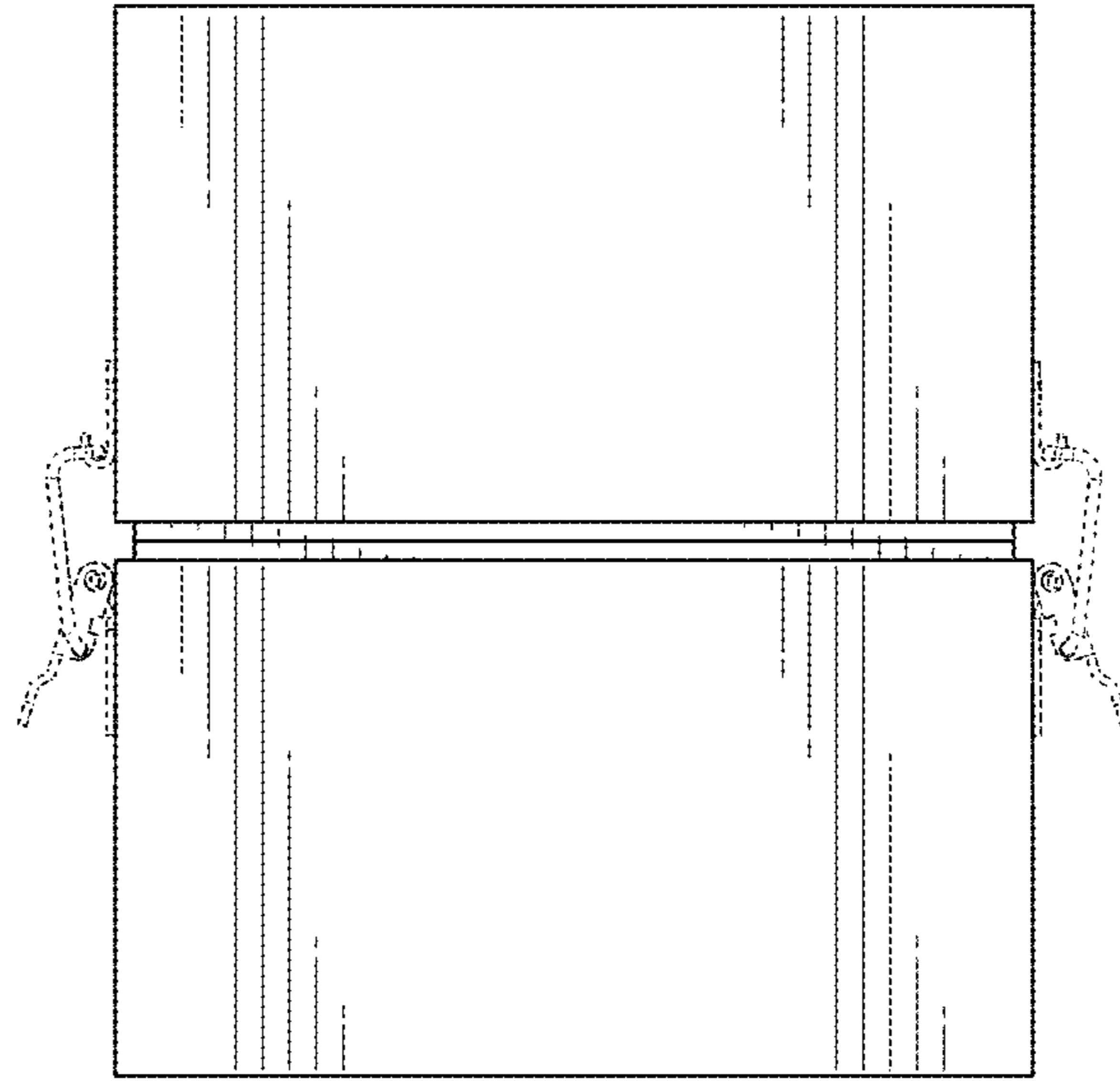


FIG. 6

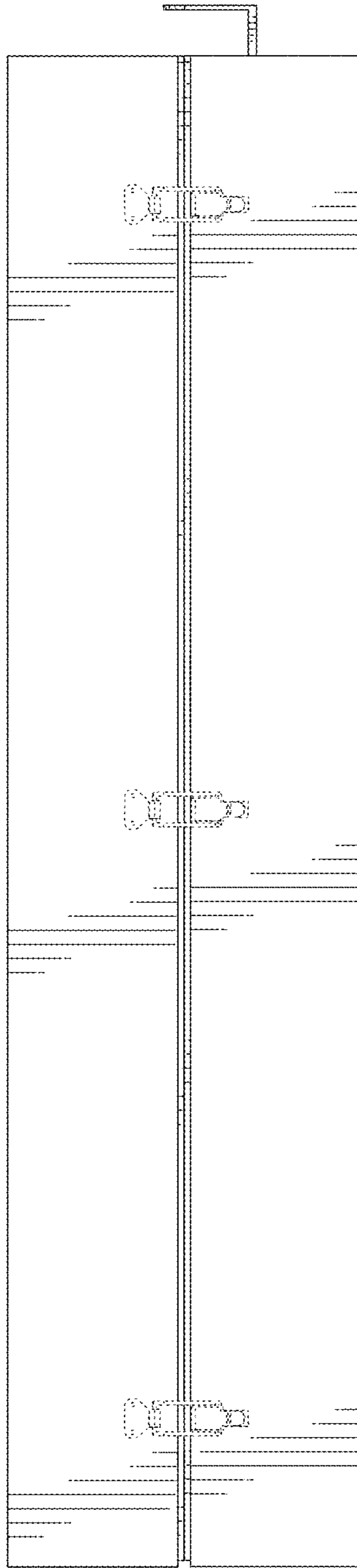


FIG. 7

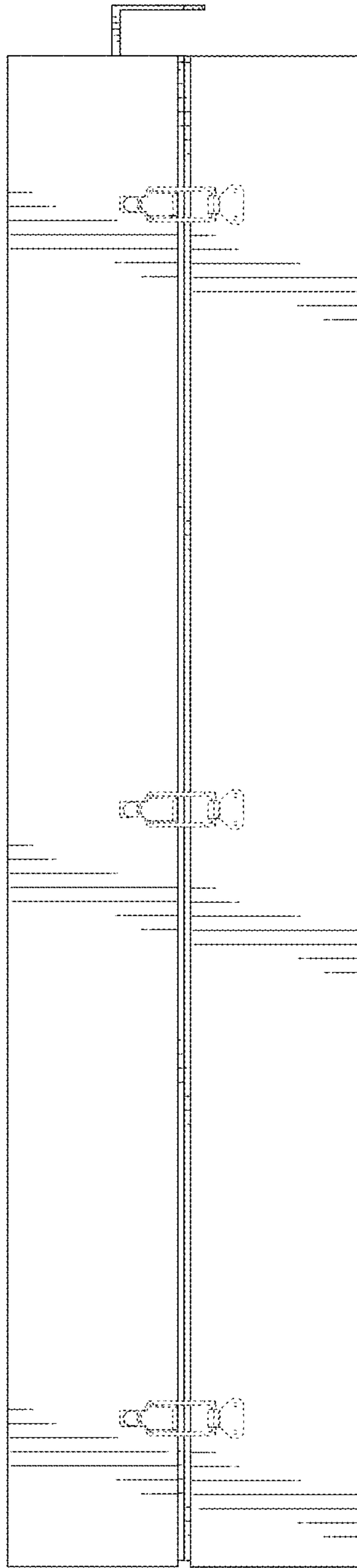


FIG. 8