



US00D935612S

(12) **United States Design Patent** (10) **Patent No.:** **US D935,612 S**
Levy (45) **Date of Patent:** **** Nov. 9, 2021**

(54) **HAND HELD COSMETIC DEVICE**
(71) Applicant: **DD Karma LLC**, Chicago, IL (US)
(72) Inventor: **Dara Levy**, Highland Park, IL (US)
(73) Assignee: **DD Karma LLC**, Chicago, IL (US)
(**) Term: **15 Years**
(21) Appl. No.: **29/732,772**
(22) Filed: **Apr. 27, 2020**
(51) **LOC (13) Cl.** **24-02**
(52) **U.S. Cl.**
USPC **D24/146**; D28/44.1; D24/215
(58) **Field of Classification Search**
USPC D28/9, 44.1, 45, 40, 52, 53, 54, 99;
D24/133, 146-147, 200, 209, 214, 231;
D7/688
CPC A45D 44/02; A45D 44/04; A45D 44/18;
A45D 44/22; A45D 2200/207; A45D
2200/25; A45D 2200/053; A45D 20/00;
A45D 20/12; A61N 5/00; A61N 5/0616;
A61N 5/0617; A61N 5/062; A61B 17/32
See application file for complete search history.

2016/0166273 A1* 6/2016 Levy A61B 50/20
606/131
2017/0136638 A1 5/2017 Hage et al.
2018/0256192 A1 9/2018 Levy

OTHER PUBLICATIONS

Ho to use Dermapore, Dermaflash, published on Aug. 7, 2019, retrieved on Jul. 8, 2021, retrieved from the Internet URL: <https://www.youtube.com/watch?v=uJ4Ez4LdDn0>.
[No Author Listed] Dermaflash One. Dermaflash. www.dermaflash.com/product/dermaflash-one/, 2 pages [last accessed Sep. 2018]. U.S. Appl. No. 29/732,774, filed Apr. 27, 2020, Levy.

* cited by examiner

Primary Examiner — Jennifer Rivard
Assistant Examiner — Alison M Ofstun
(74) *Attorney, Agent, or Firm* — Wolf, Greenfield & Sacks, P.C.

(57) **CLAIM**

The ornamental design for a hand held cosmetic device, as shown and described.

DESCRIPTION

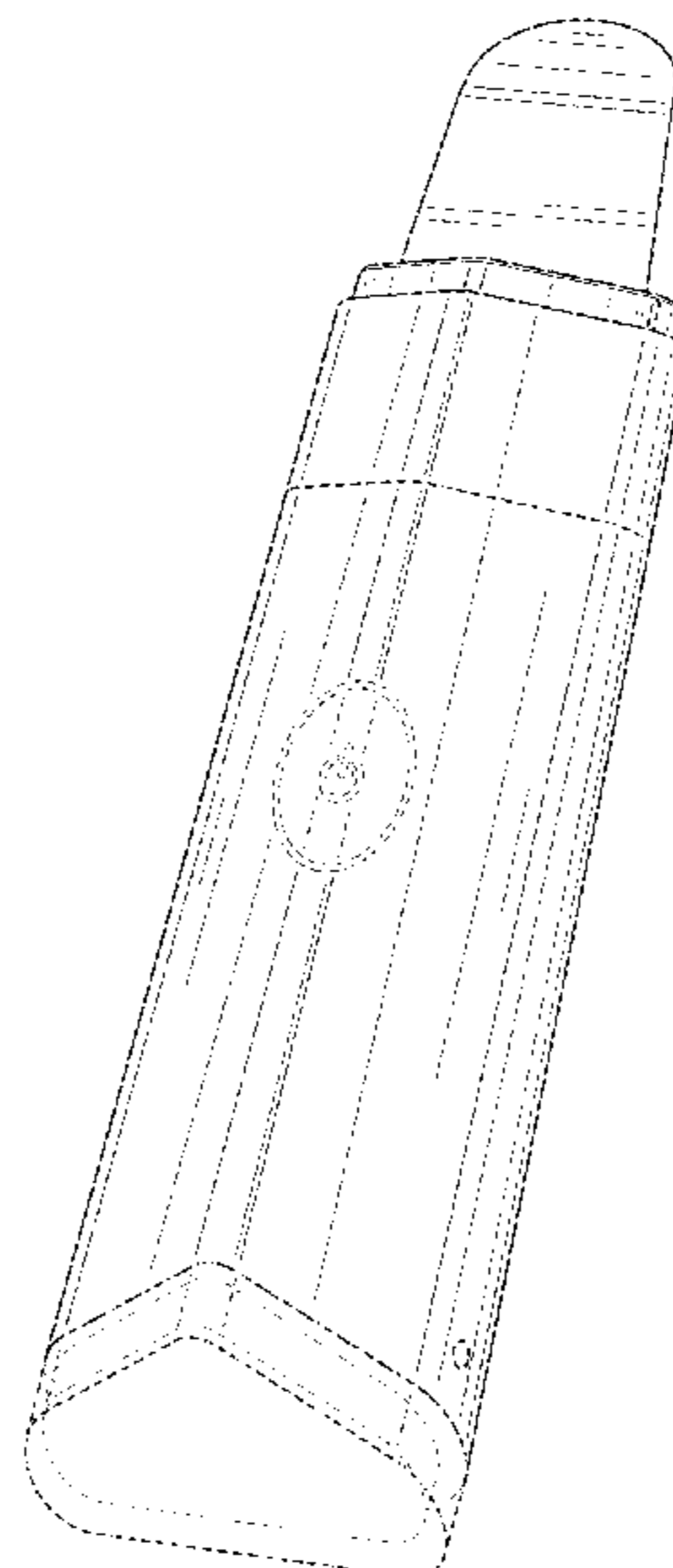
FIG. 1 is a bottom, front, right side perspective view of a hand held cosmetic device according to my new design; FIG. 2 is a front elevation view thereof; FIG. 3 is a rear elevation view thereof; FIG. 4 is a left side elevation view thereof; FIG. 5 is a right side elevation thereof; FIG. 6 is a top plan view thereof; and, FIG. 7 is a bottom plan view thereof.
The dot-dash broken lines represent boundaries of the claimed design and form no part of the claimed design. The dash-dash broken lines depict portions of the hand held cosmetic device that form no part of the claimed design.

(56) **References Cited**

U.S. PATENT DOCUMENTS

D641,875 S *	7/2011	Eichel	D24/147
D758,663 S	6/2016	Van Maanen		
D758,664 S	6/2016	Van Maanen		
D831,211 S *	10/2018	Choi	D24/146
D857,294 S *	8/2019	Levy	D28/49
D882,807 S *	4/2020	Xiong	D24/214
D893,030 S *	8/2020	Helfenbaum	D24/146
D908,233 S *	1/2021	Zhou	D24/214
D921,915 S *	6/2021	Luo	D24/215
D922,598 S *	6/2021	Levy	D24/215
D922,710 S *	6/2021	Dickson	D32/46
2015/0100002 A1 *	4/2015	Choi	A61N 1/20 601/2

1 Claim, 5 Drawing Sheets



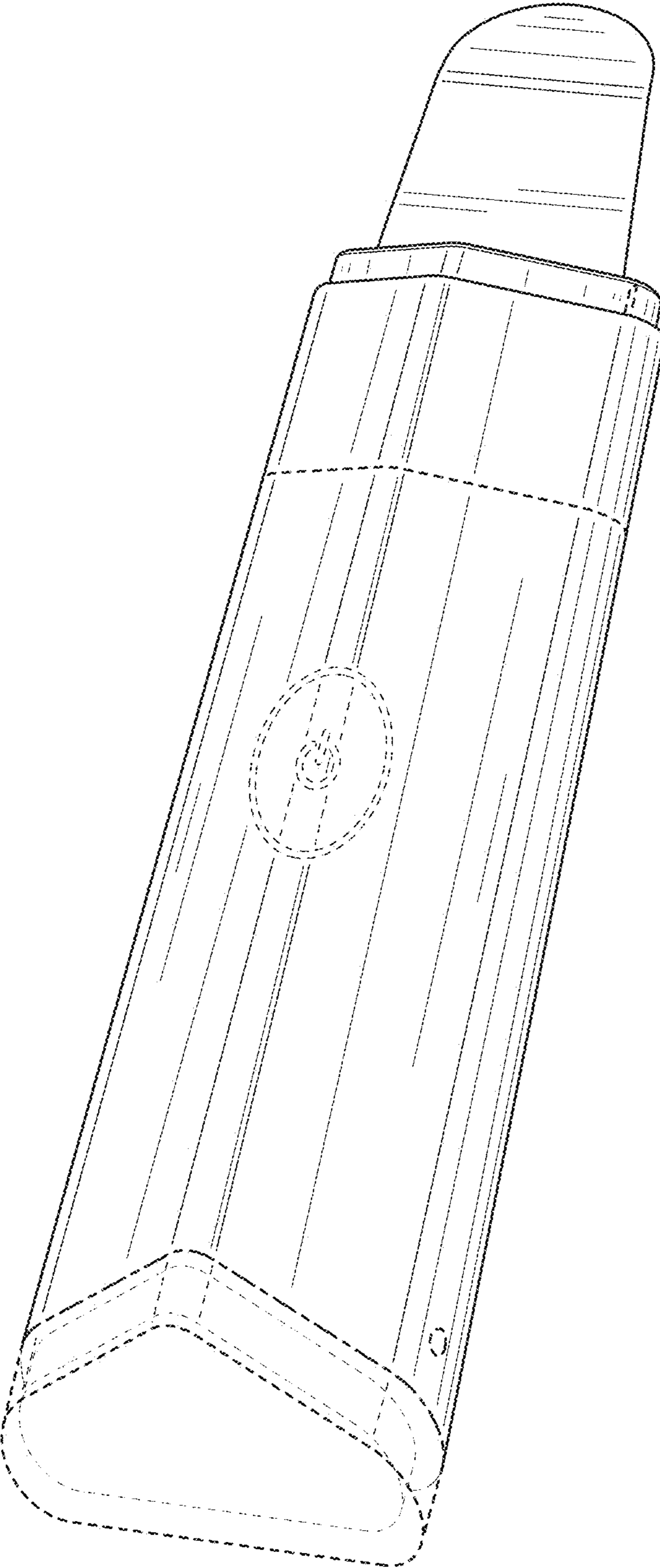


FIG. 1

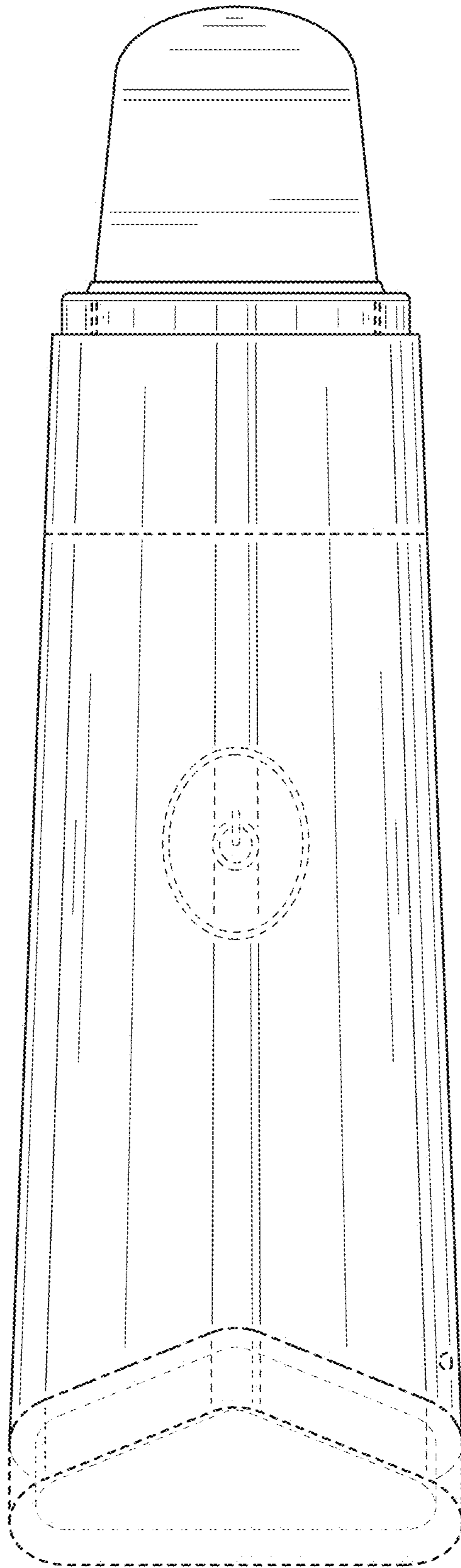


FIG. 2

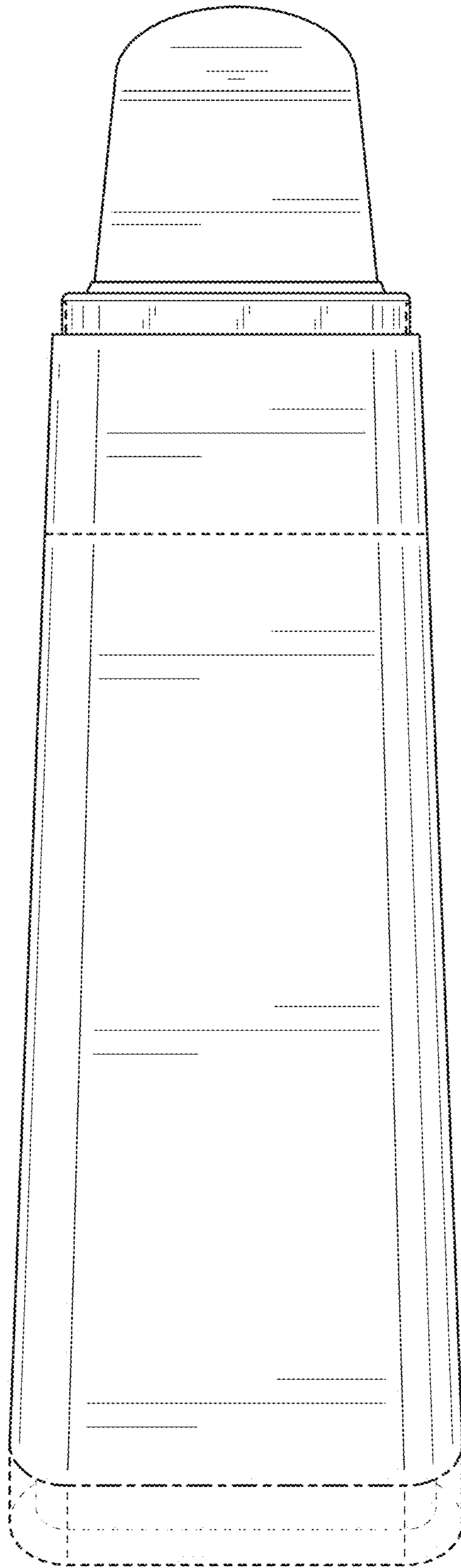


FIG. 3

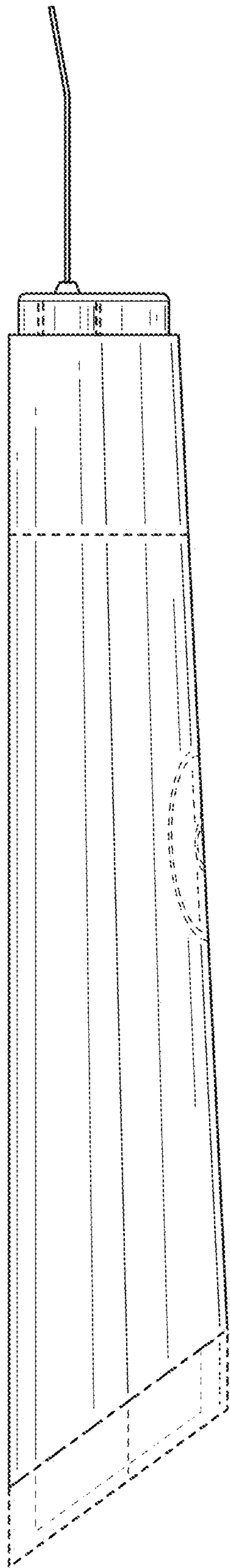


FIG. 4

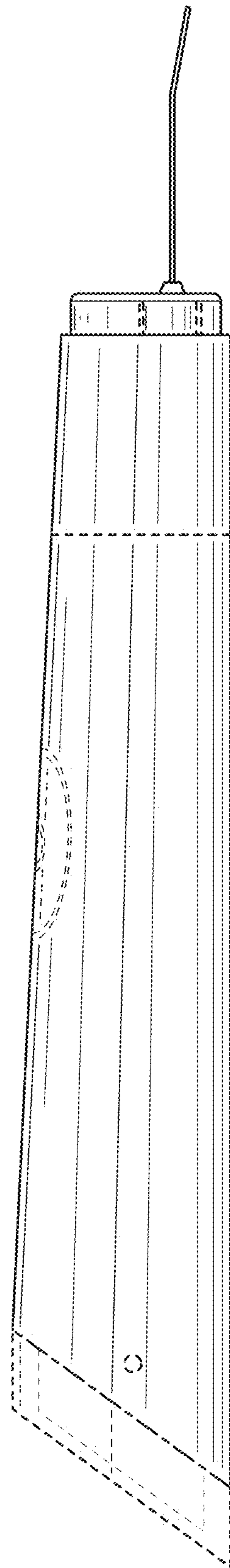


FIG. 5

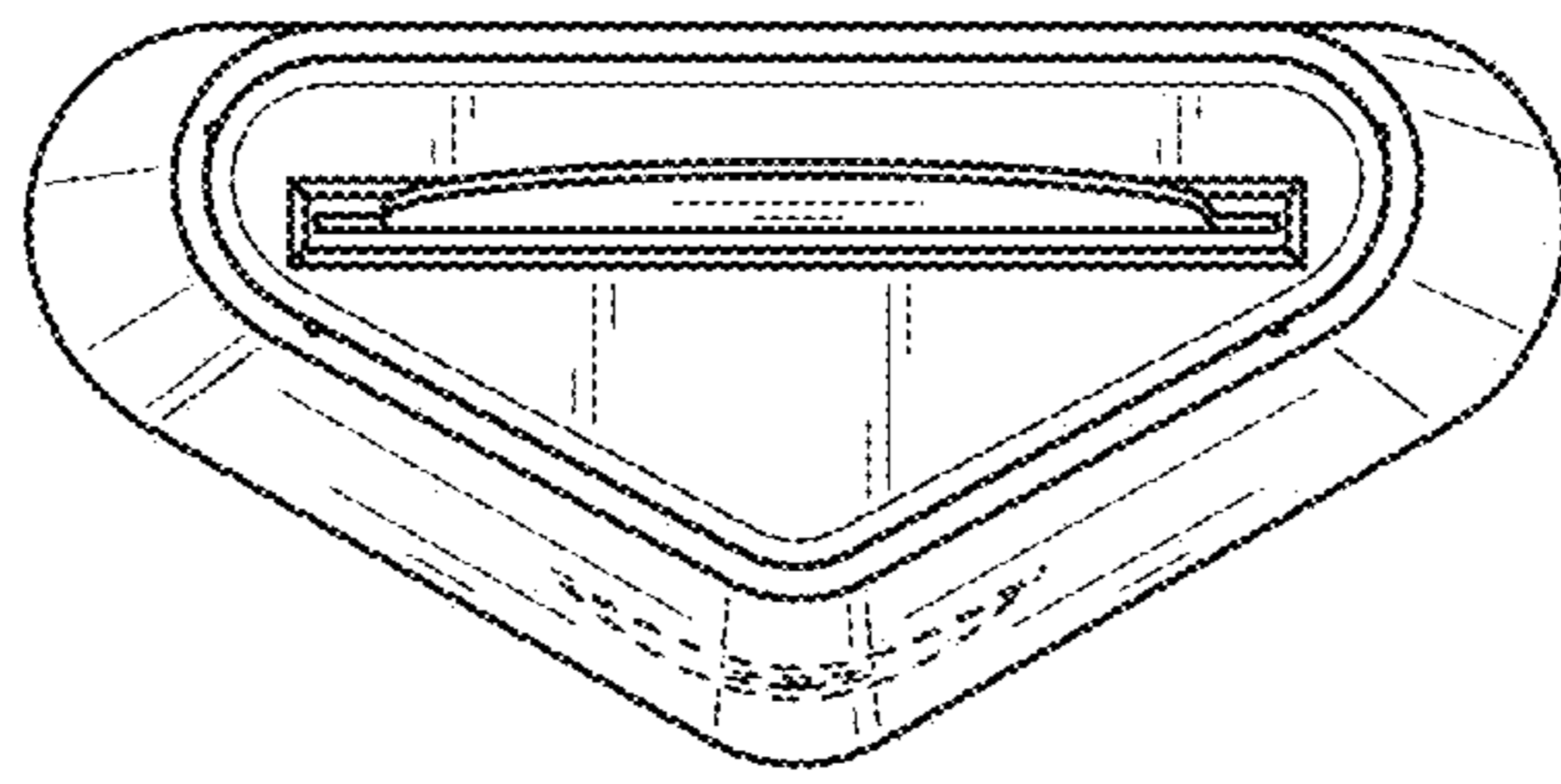


FIG. 6

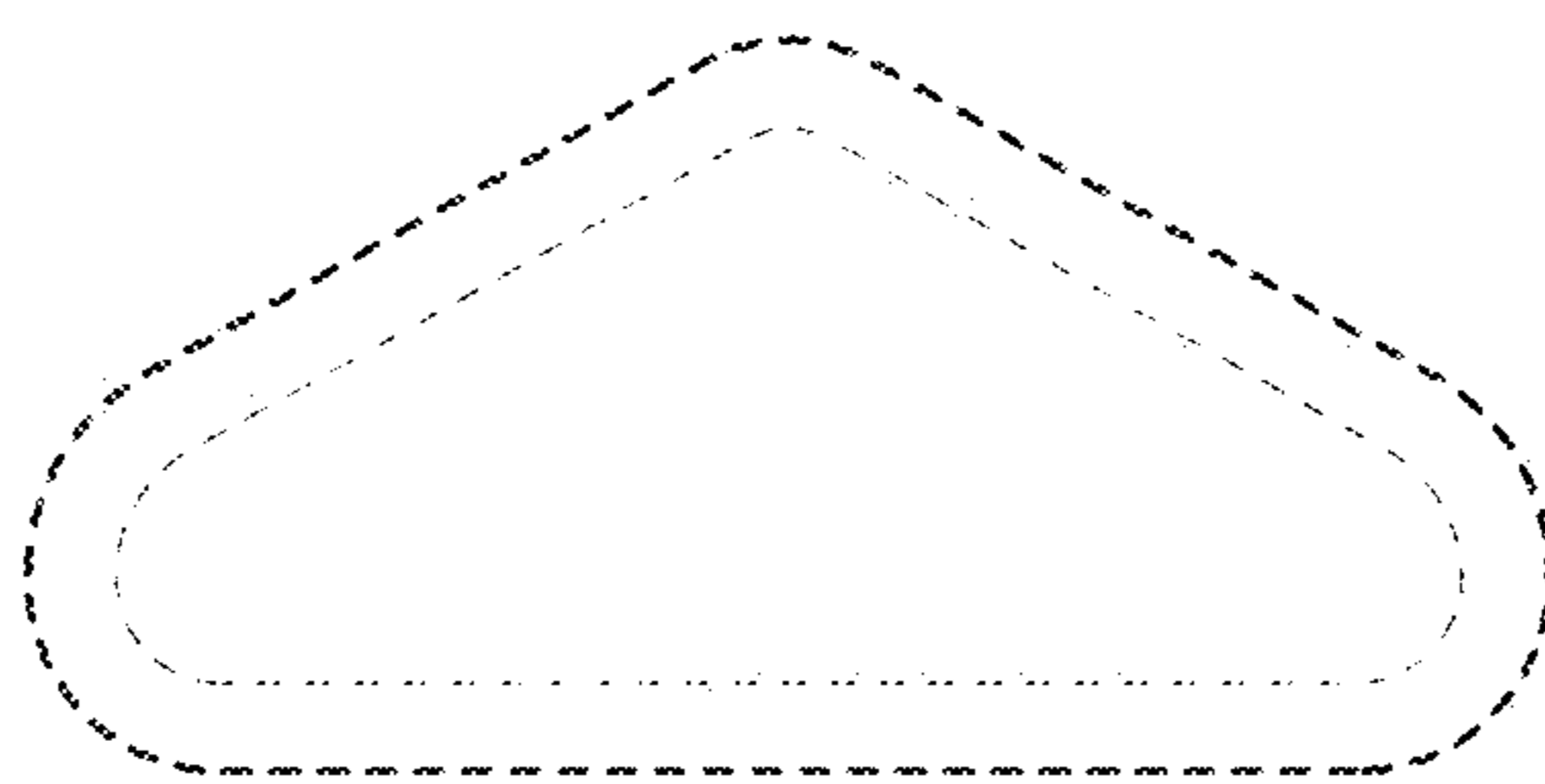


FIG. 7