



US00D935610S

(12) **United States Design Patent**
Wang et al.

(10) **Patent No.:** **US D935,610 S**
(45) **Date of Patent:** **** Nov. 9, 2021**

(54) **SPECULUM**

FOREIGN PATENT DOCUMENTS

(71) Applicant: **Frog Design Inc.**, San Francisco, CA (US)

EM 002861567-0001 * 3/2018
EM 008460802-0004 * 3/2021
EM 008460802-0005 * 3/2021

(72) Inventors: **Frances Meng Wang**, San Francisco, CA (US); **Rachel Millary Hobart**, San Francisco, CA (US); **Hailey O'Connor Stewart**, Wilmington, MA (US)

Primary Examiner — Bridget L Eland

(74) *Attorney, Agent, or Firm* — Harrington & Smith

(**) Term: **15 Years**

(57) **CLAIM**

We claim the ornamental design for a speculum, as shown and described.

(21) Appl. No.: **29/715,413**

DESCRIPTION

(22) Filed: **Dec. 2, 2019**

(51) **LOC (13) Cl.** **24-02**

(52) **U.S. Cl.**
USPC **D24/135**

(58) **Field of Classification Search**
USPC D24/135, 133, 140
CPC A61B 1/00142; A61B 1/32; A61B 1/00;
A61B 17/02
See application file for complete search history.

FIG. 1 is a rear and right side perspective view of a speculum showing the new design in a closed position;
FIG. 2 is right side elevational view thereof in the closed position, the left side being a mirror image thereof;
FIG. 3 is rear side elevational view thereof in the closed position;
FIG. 4 is rear side and top side view thereof in the closed position;
FIG. 5 is a top side plan view thereof in the closed position;
FIG. 6 is a bottom side plan view thereof in the closed position;
FIG. 7 is a front side elevational view thereof in the closed position;
FIG. 8 is a rear and right side perspective view thereof showing the new design in an open position;
FIG. 9 is right side elevational view thereof in the open position, the left side being a mirror image thereof;
FIG. 10 is rear side elevational view thereof in the open position;
FIG. 11 is rear side and top side view thereof in the open position;
FIG. 12 is a top side plan view thereof in the open position;
FIG. 13 is a bottom side plan view thereof in the open position; and,
FIG. 14 is a front side elevational view thereof in the open position.

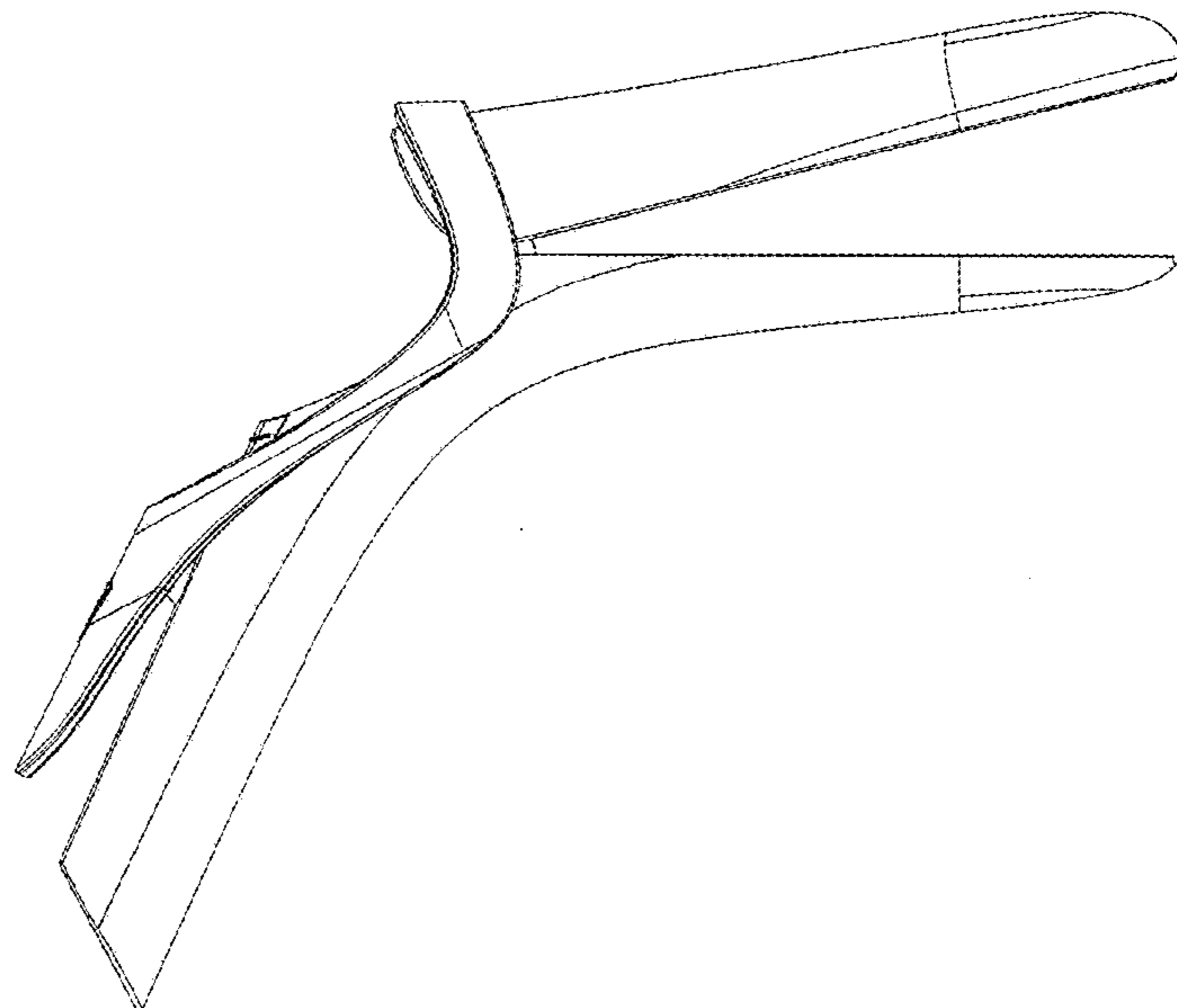
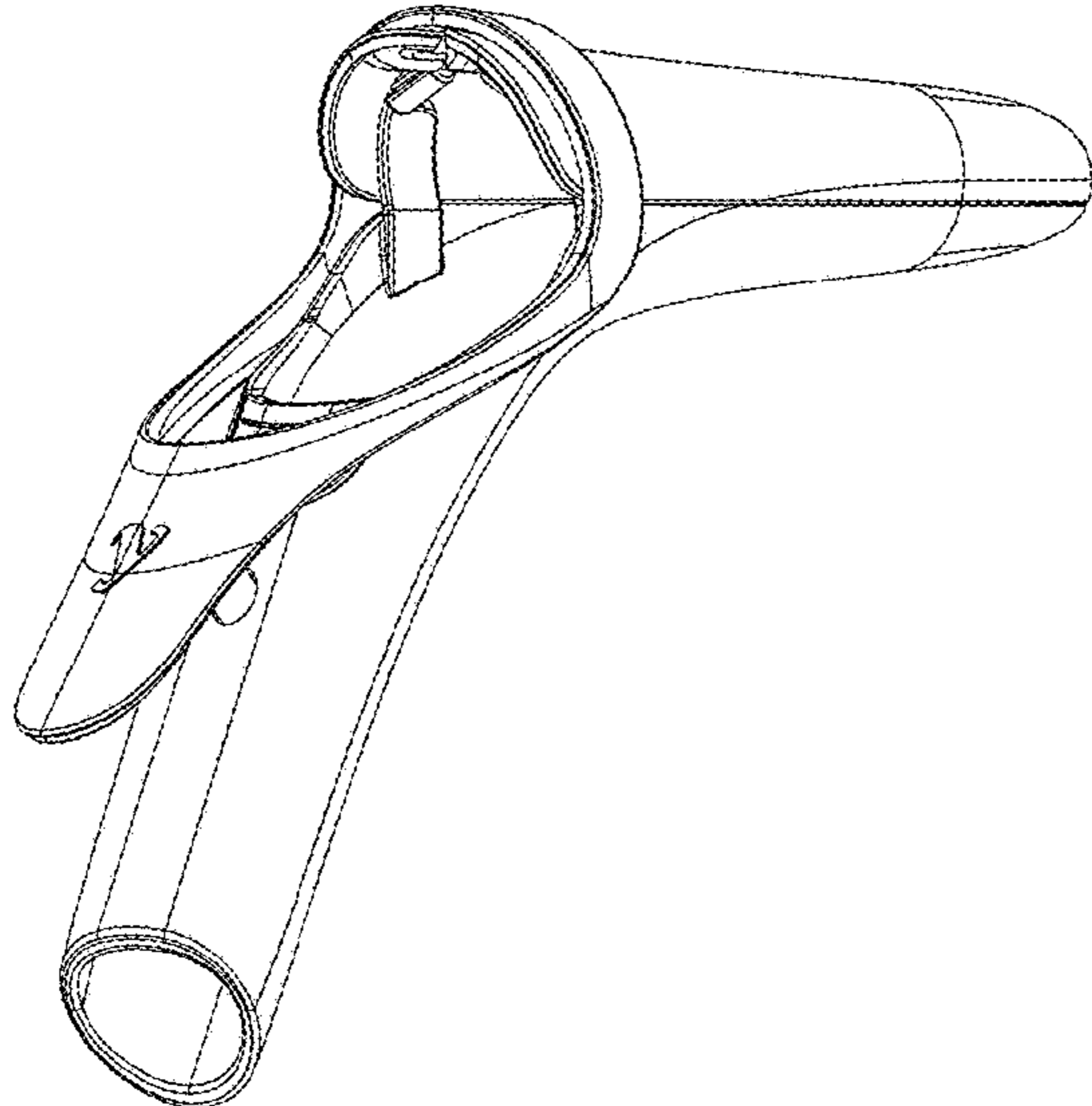
(56) **References Cited**

U.S. PATENT DOCUMENTS

3,650,266	A *	3/1972	Pestka	A61B 1/32
					600/222
3,769,968	A *	11/1973	Blount	A61B 1/32
					600/223
D299,532	S *	1/1989	Cecil, Jr.	D24/135
D474,275	S *	5/2003	Tan	D24/135
D558,344	S *	12/2007	Saddlemire	D24/135
D710,500	S *	8/2014	Roeloffs	D24/135
2002/0156350	A1 *	10/2002	Nieto	A61B 1/0676
					600/223
2009/0099422	A1 *	4/2009	George	A61B 1/32
					600/214

(Continued)

1 Claim, 14 Drawing Sheets



(56)

References Cited

U.S. PATENT DOCUMENTS

2014/0039266 A1* 2/2014 Porat A61B 1/012
600/205
2017/0181605 A1* 6/2017 Lalli A61B 1/303
2017/0347871 A1* 12/2017 Wallace A61B 1/32
2018/0317746 A1* 11/2018 Lalli A61B 1/303
2020/0069171 A1* 3/2020 Miller A61B 1/0653

* cited by examiner

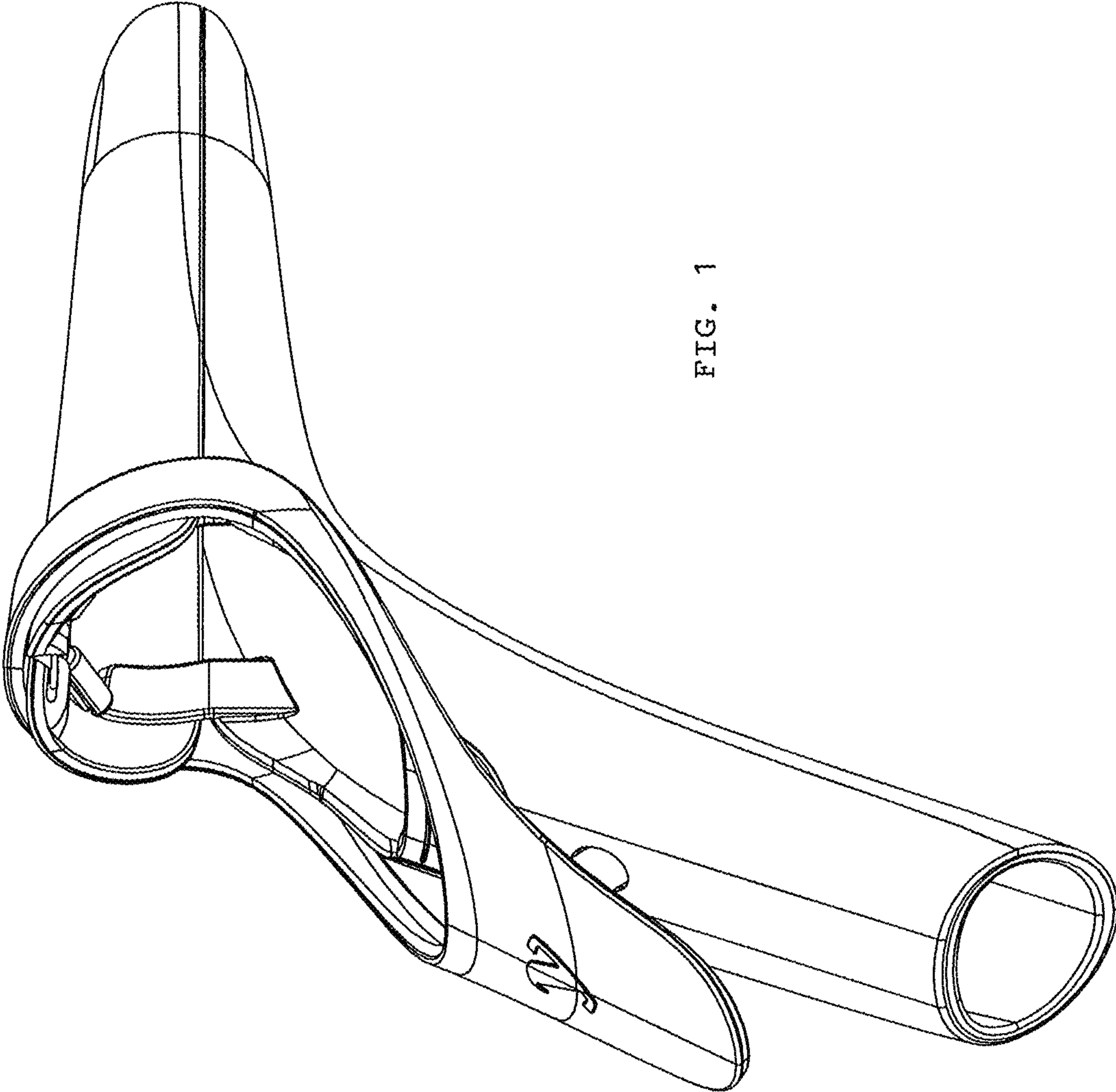


FIG. 1

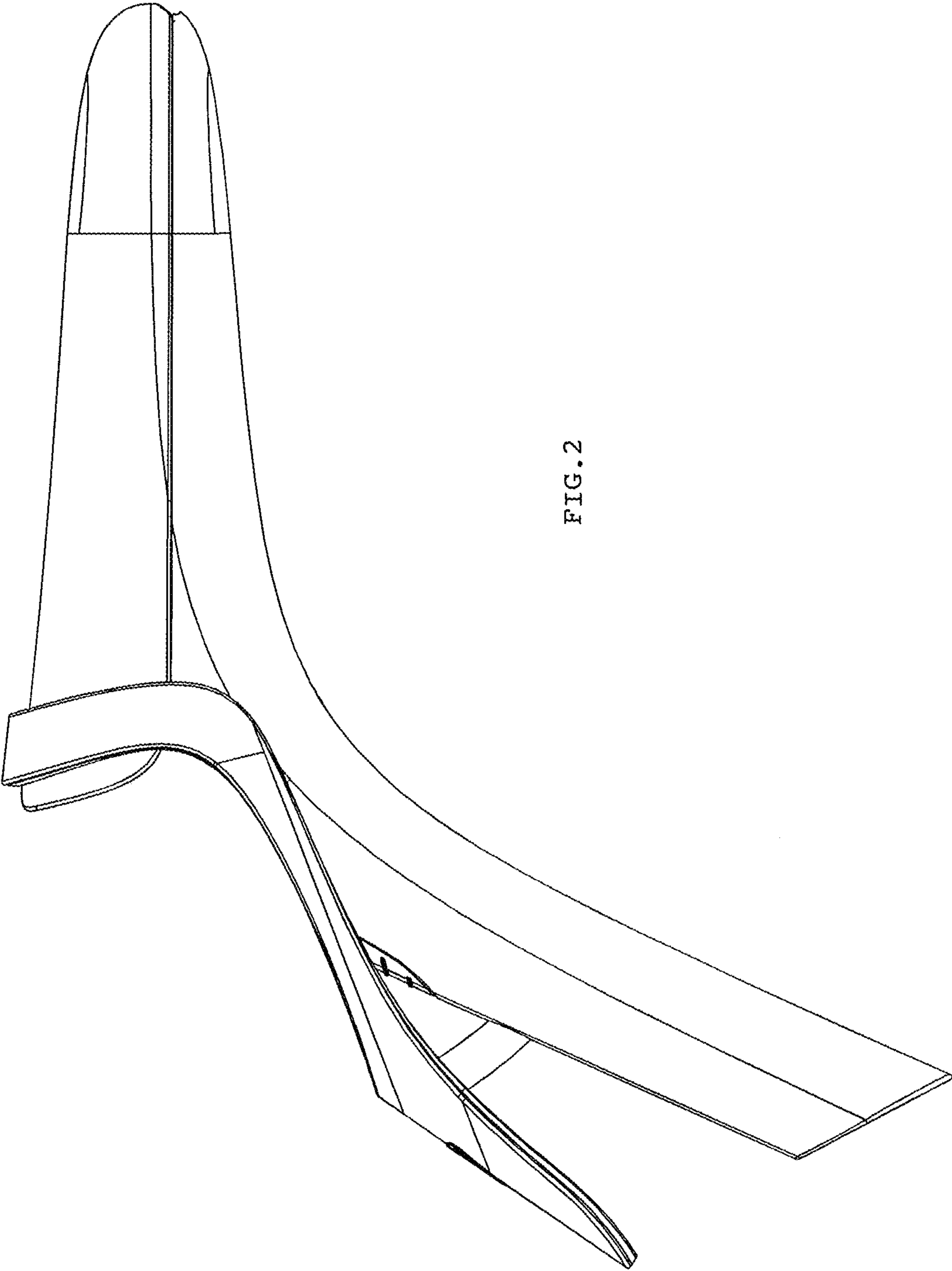


FIG. 2

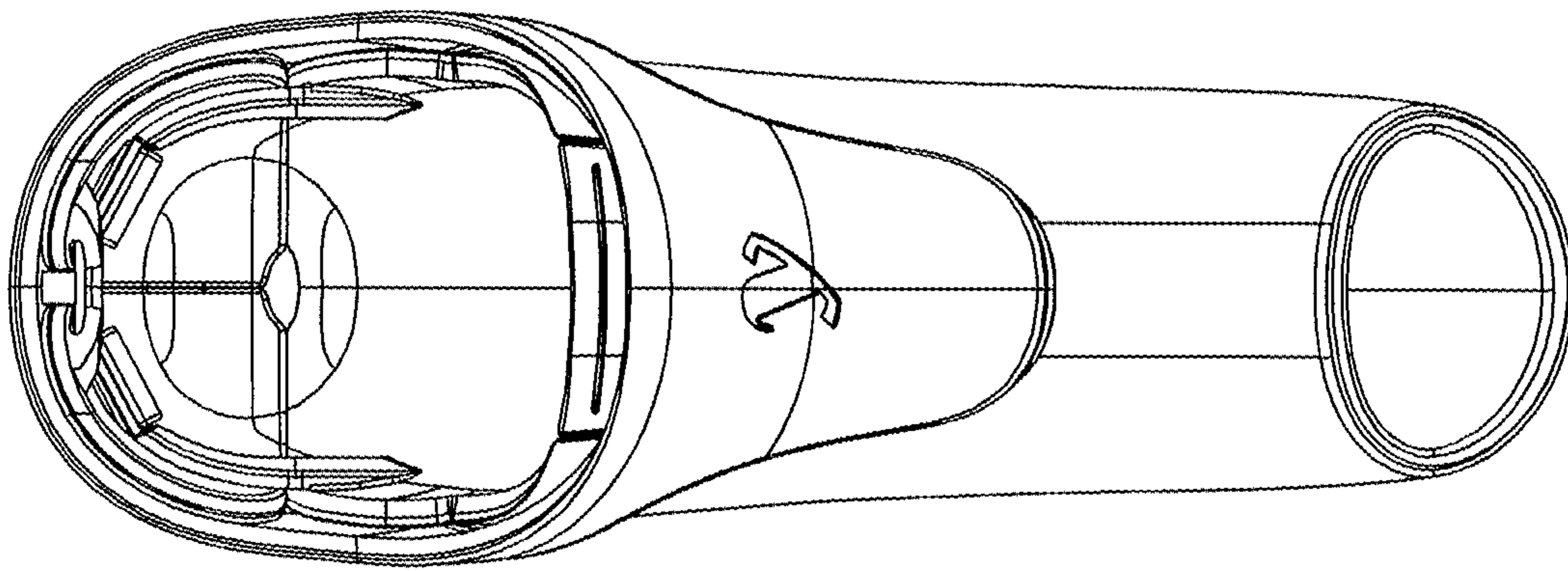


FIG. 3

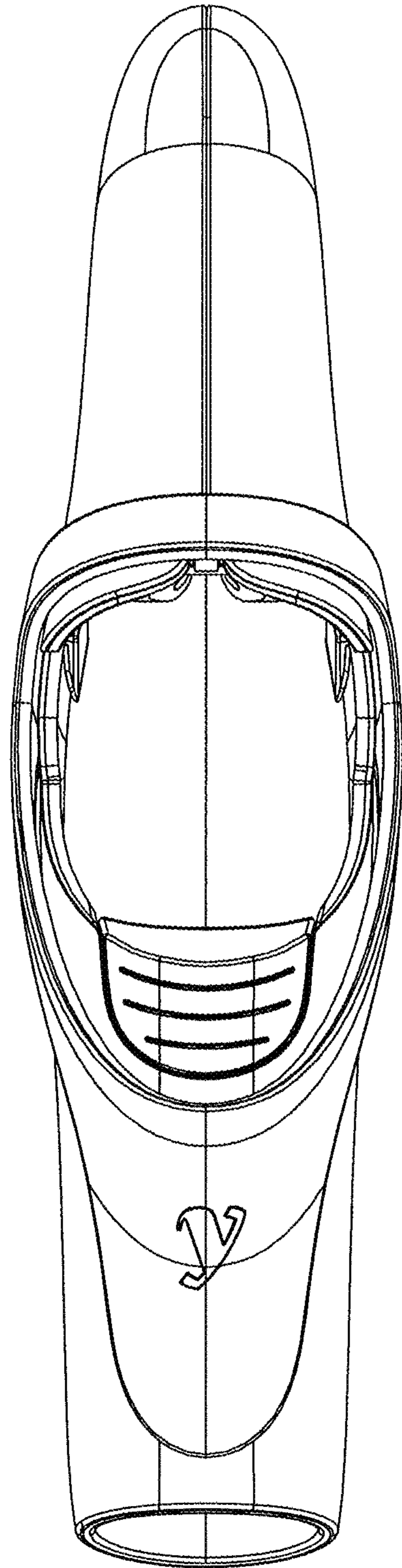


FIG. 4

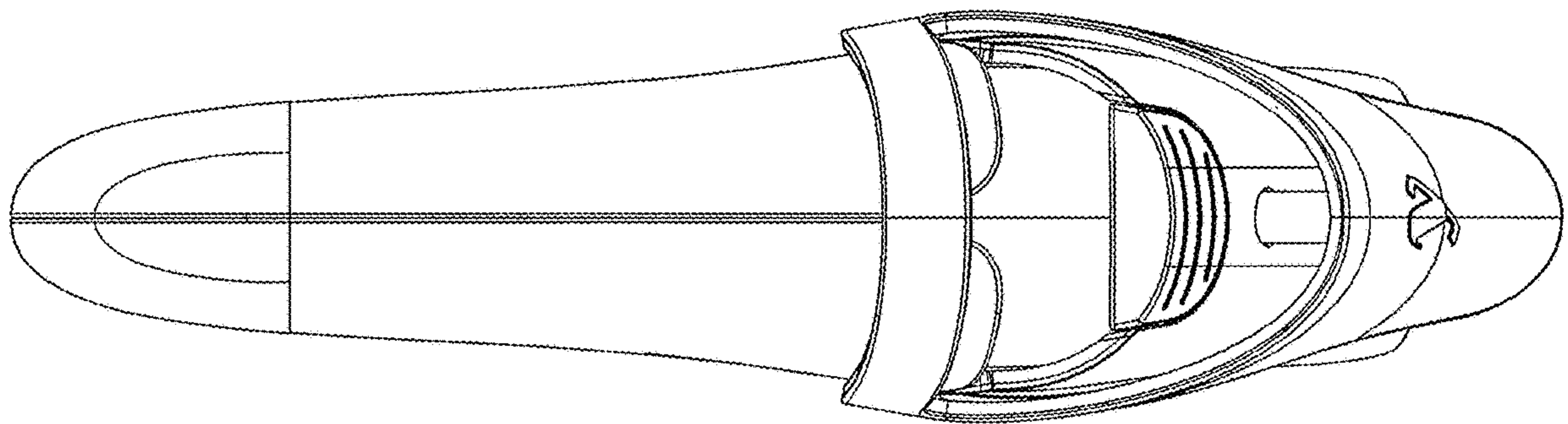


FIG. 5

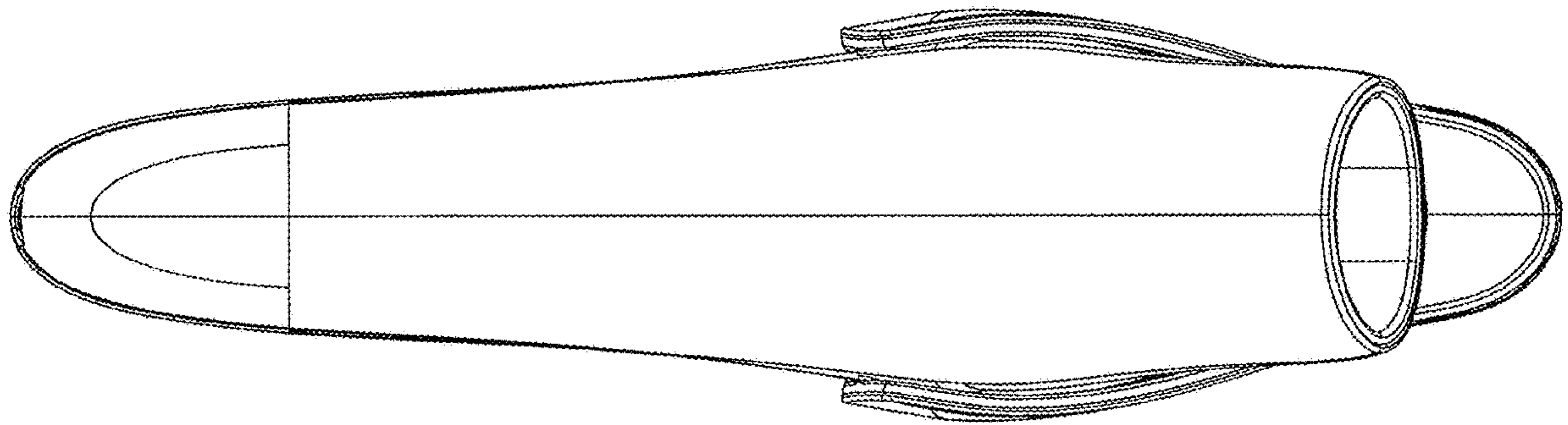


FIG. 6

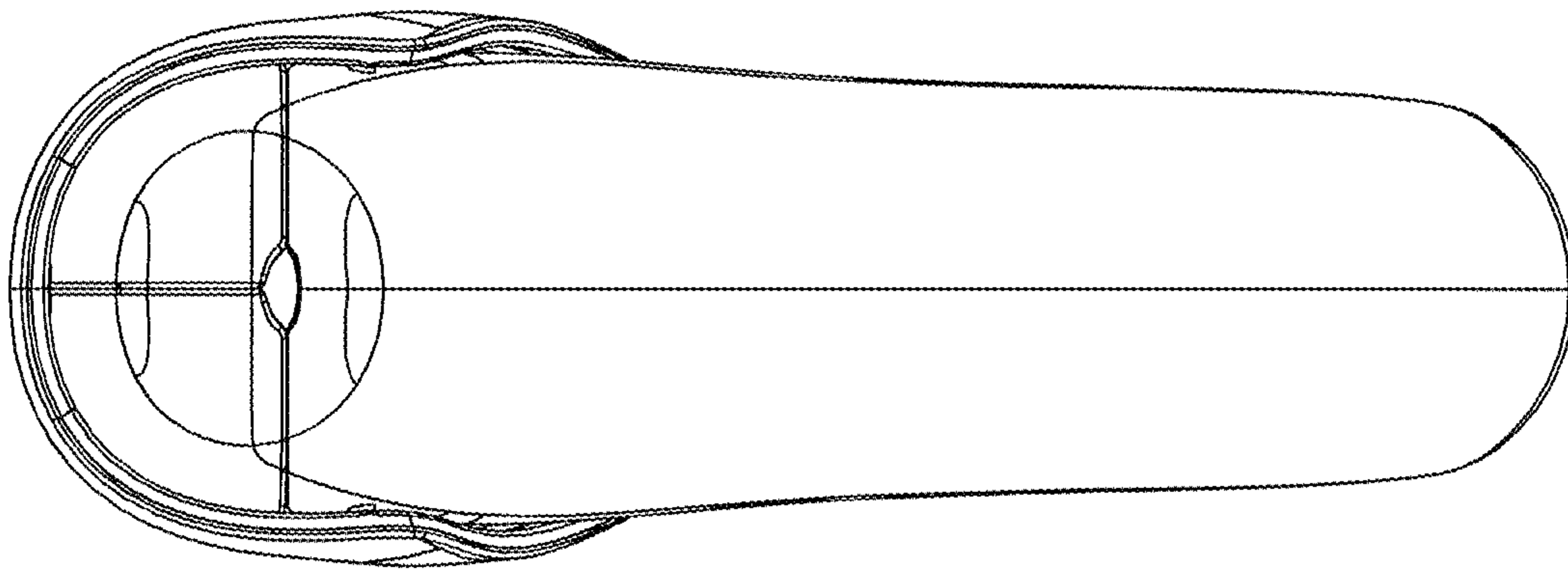


FIG. 7

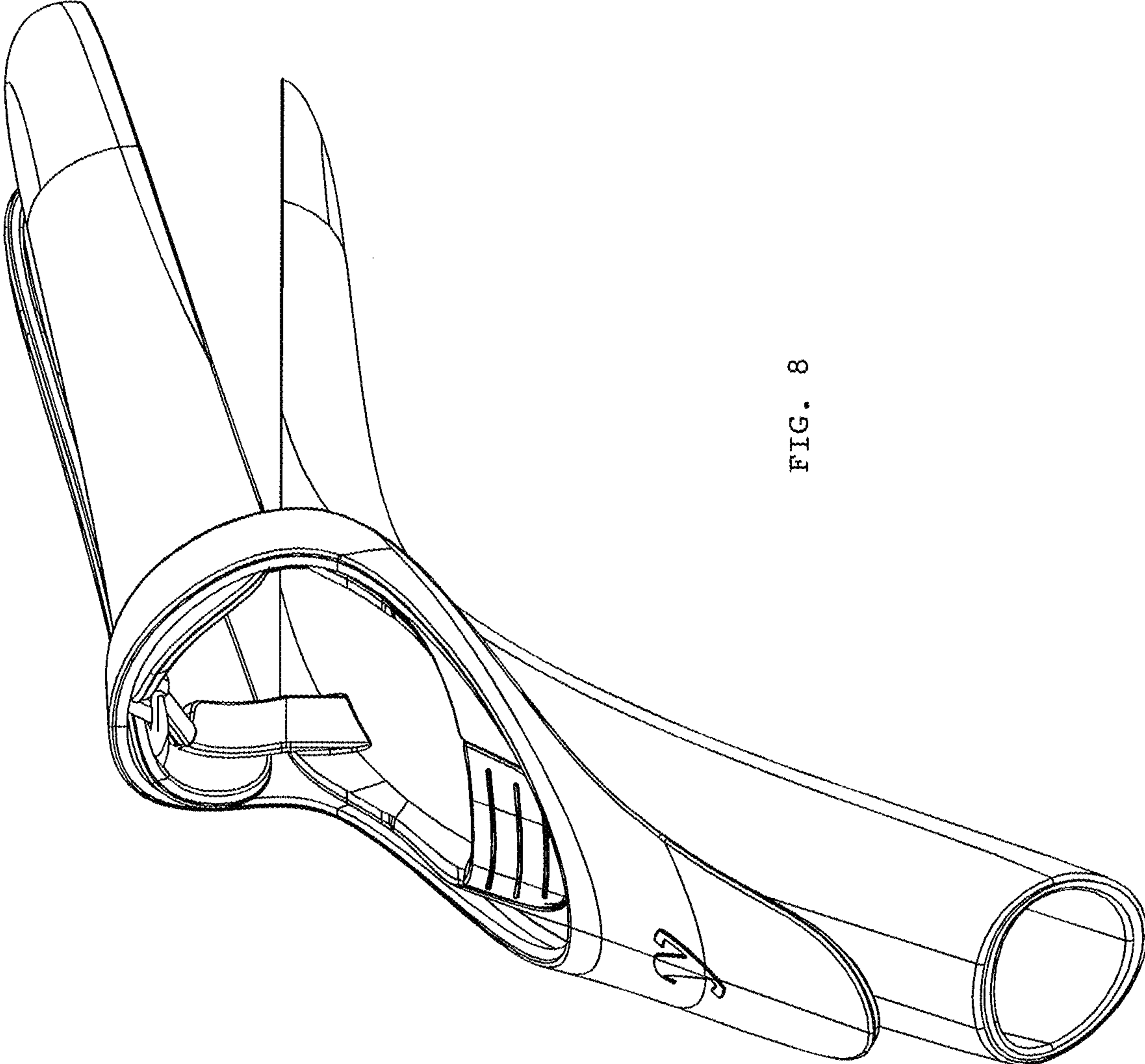


FIG. 8

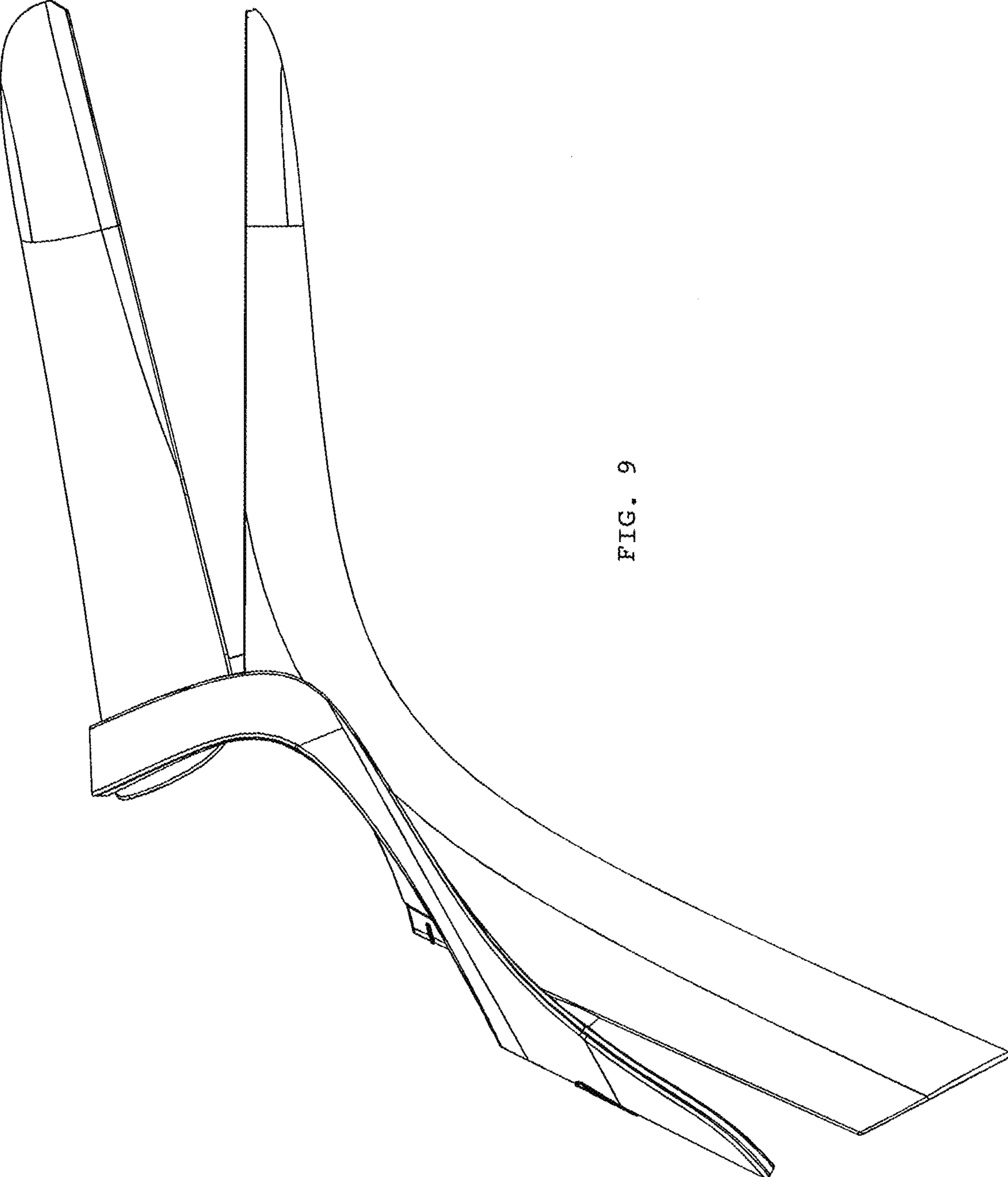


FIG. 9

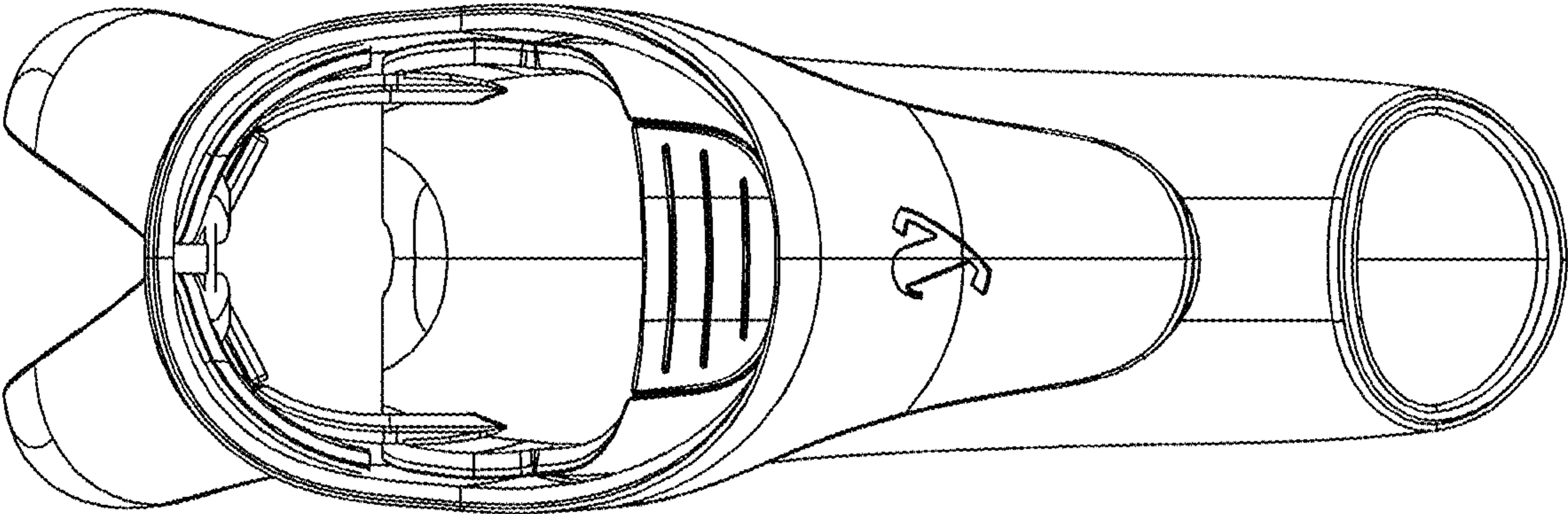


FIG. 10

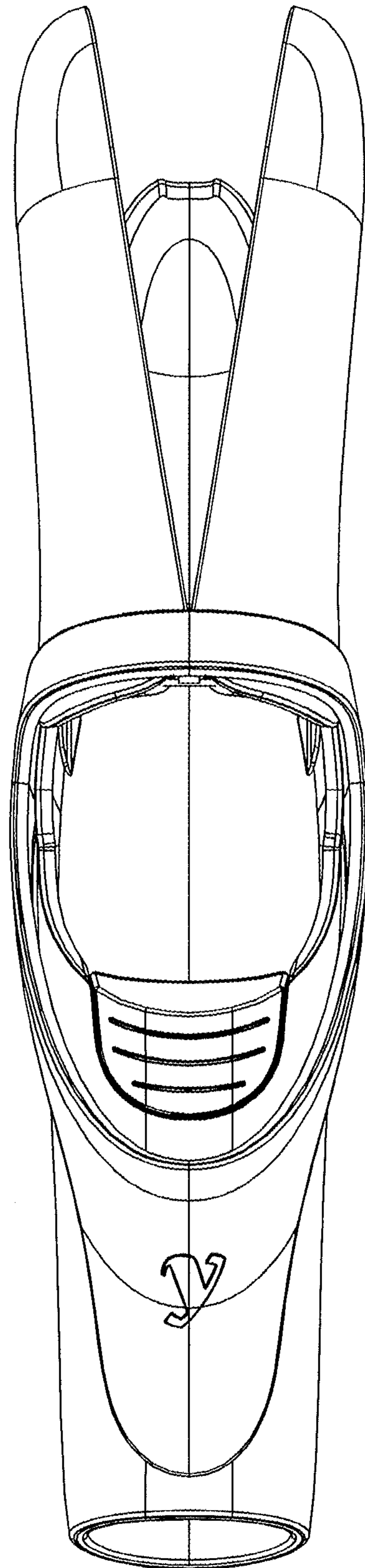


FIG. 11

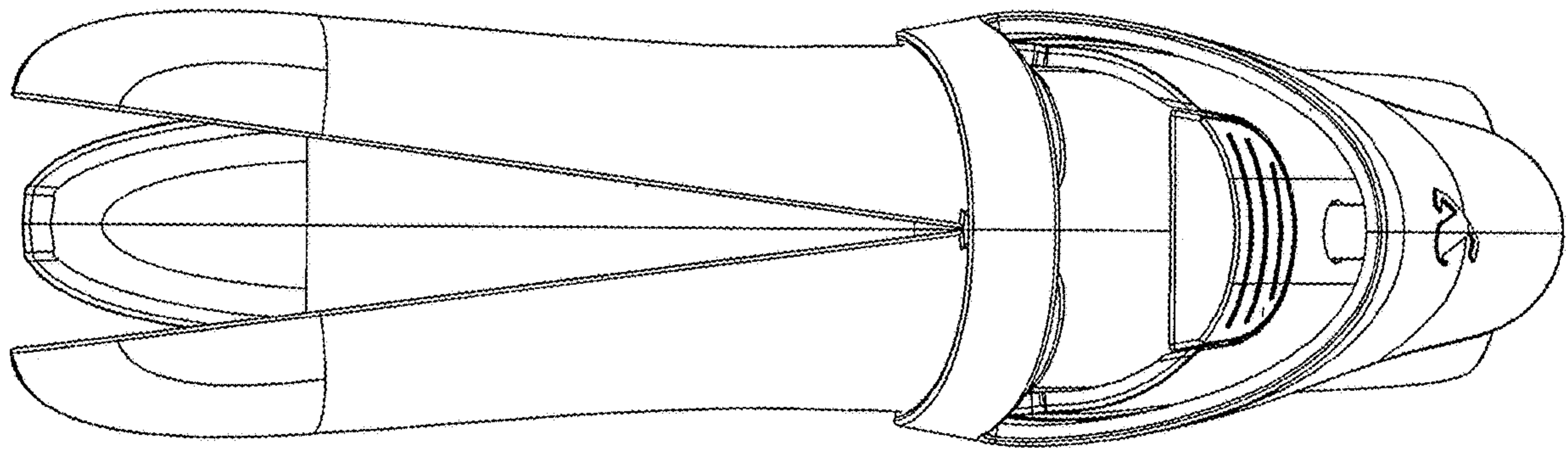


FIG. 12

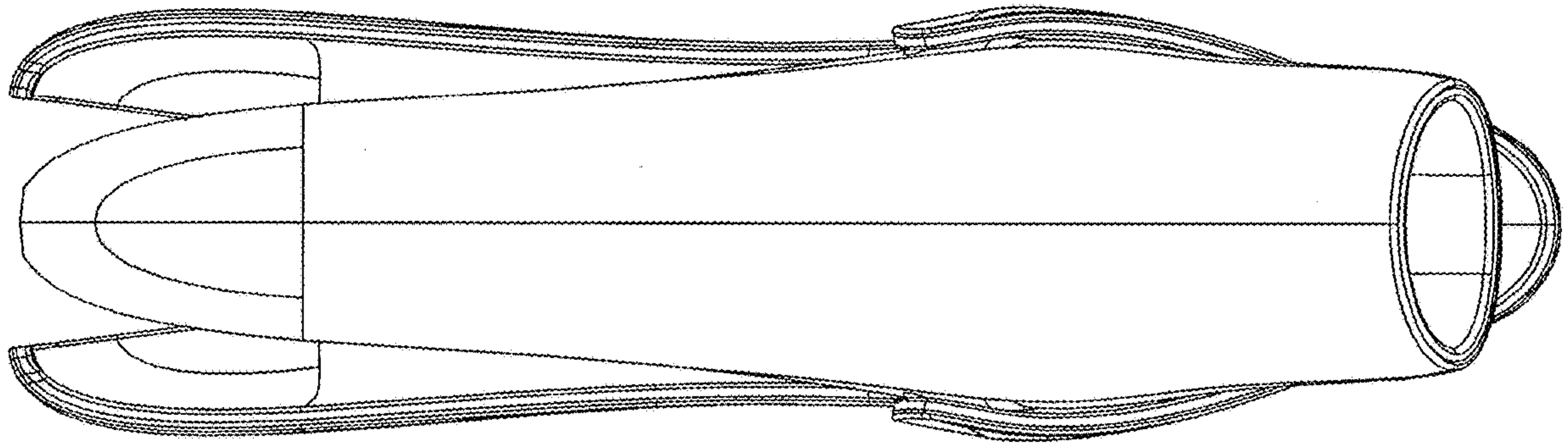


FIG. 13

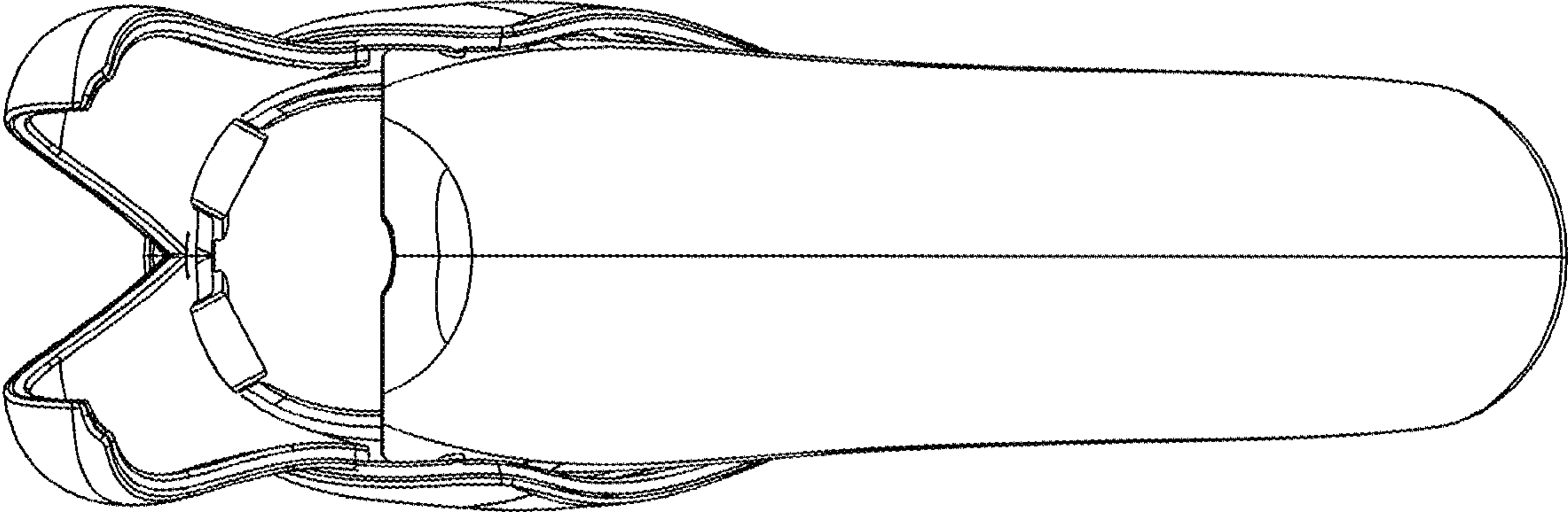


FIG. 14