



US00D935609S

(12) **United States Design Patent**
DeBuys et al.

(10) **Patent No.:** **US D935,609 S**

(45) **Date of Patent:** **** Nov. 9, 2021**

(54) **ROBOTIC CATHETER MANIPULATOR**

(71) Applicant: **Siemens Healthcare GmbH**, Erlangen (DE)

(72) Inventors: **Christian DeBuys**, College Station, TX (US); **Young-Ho Kim**, West Windsor, NJ (US); **Ankur Kapoor**, Plainsboro, NJ (US); **Tommaso Mansi**, Plainsboro, NJ (US)

(73) Assignee: **Siemens Healthcare GmbH**, Erlangen (DE)

(**) Term: **15 Years**

(21) Appl. No.: **29/713,781**

(22) Filed: **Nov. 19, 2019**

(51) **LOC (13) Cl.** **24-02**

(52) **U.S. Cl.**
USPC **D24/130**

(58) **Field of Classification Search**
USPC D24/127–131, 112–114, 133, 186, 118; 606/181, 185; 604/264, 523–528, 272, 604/187, 158, 164.01–164.11, 181, 184, 604/227
CPC A61M 25/0113; A61M 25/0136; A61M 25/01; A61B 8/445; A61B 8/12; A61B 34/30; A61B 8/54; A61B 2034/301; A61B 2090/3966; A61B 2090/3784; A61B 8/00
See application file for complete search history.

(56) **References Cited**

U.S. PATENT DOCUMENTS

D338,475 S	*	8/1993	Wilson	D15/130
D367,066 S	*	2/1996	Chen	D15/130
D401,247 S	*	11/1998	Wang	D15/130
D425,916 S	*	5/2000	Cheng	D15/130

D446,527 S	*	8/2001	Hinch	D15/130
D471,924 S	*	3/2003	Wang	D15/130
D504,140 S	*	4/2005	Lai	D15/130
D600,793 S	*	9/2009	Bierman	D24/112
8,317,744 B2		11/2012	Kirschenman		
8,335,557 B2		12/2012	Maschke		
D691,718 S	*	10/2013	Ryan	D24/133
8,792,964 B2		7/2014	Maschke		
D757,261 S	*	5/2016	Keckstein	D24/133
D838,846 S	*	1/2019	Park	D24/130
2005/0004579 A1		1/2005	Schneider		
2014/0277334 A1		9/2014	Yu		
2021/0022816 A1*		1/2021	DeBuys	A61B 90/36
2021/0023337 A1*		1/2021	DeBuys	A61M 25/0136

* cited by examiner

Primary Examiner — Nathan M Johnston

(57) **CLAIM**

The ornamental design for a “robotic catheter manipulator”, as shown and described.

DESCRIPTION

FIG. 1 is a top, front, and left side perspective view showing our new design for a robotic catheter manipulator.

FIG. 2 is a left side view of the robotic catheter manipulator of FIG. 1.

FIG. 3 is a right side view of the robotic catheter manipulator of FIG. 1.

FIG. 4 is a front view of the robotic catheter manipulator of FIG. 1.

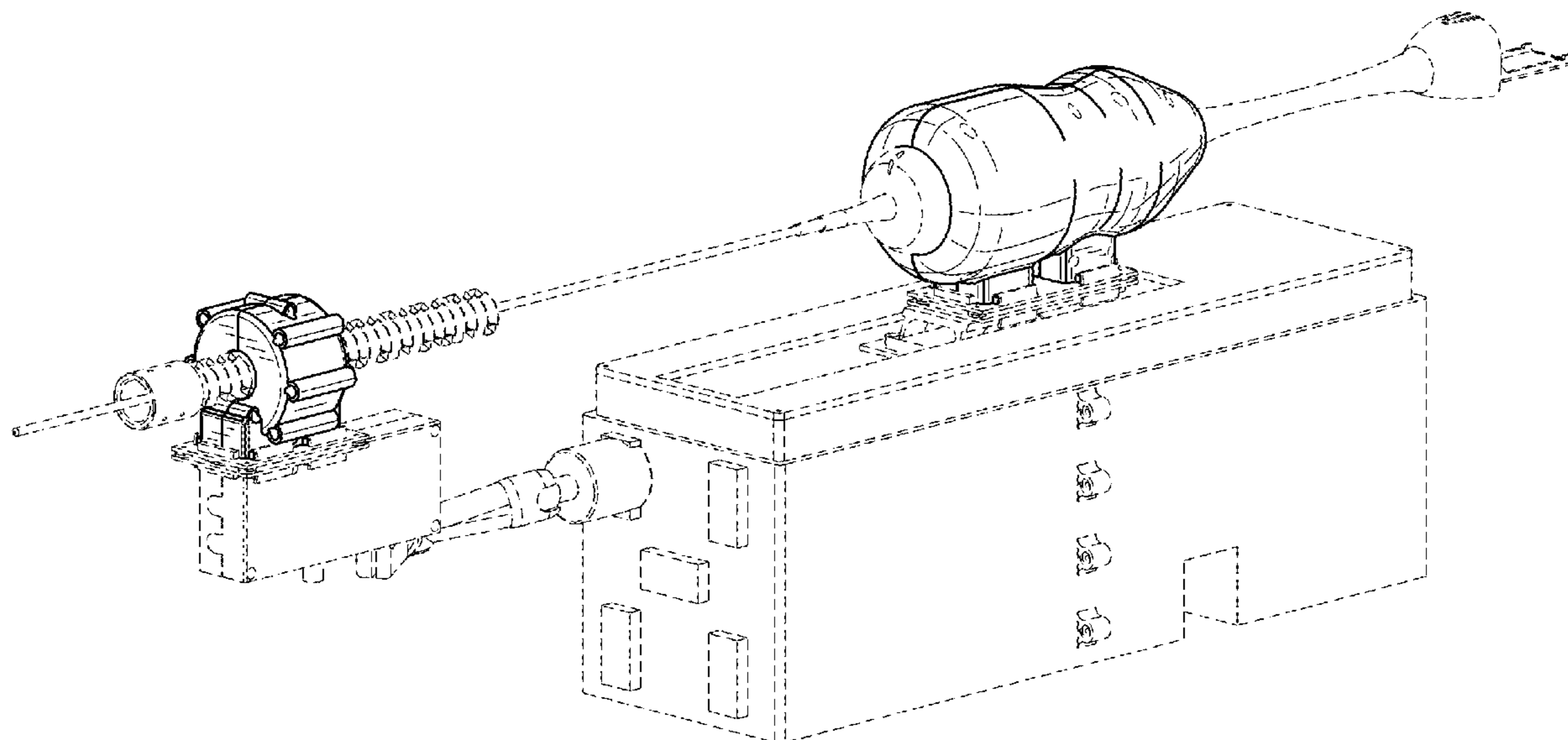
FIG. 5 is a rear view of the robotic catheter manipulator of FIG. 1.

FIG. 6 is a top view of the robotic catheter manipulator of FIG. 1; and,

FIG. 7 is a bottom view of the robotic catheter manipulator of FIG. 1.

The broken lines show portions of the robotic catheter manipulator that form no part of the claimed design.

1 Claim, 4 Drawing Sheets



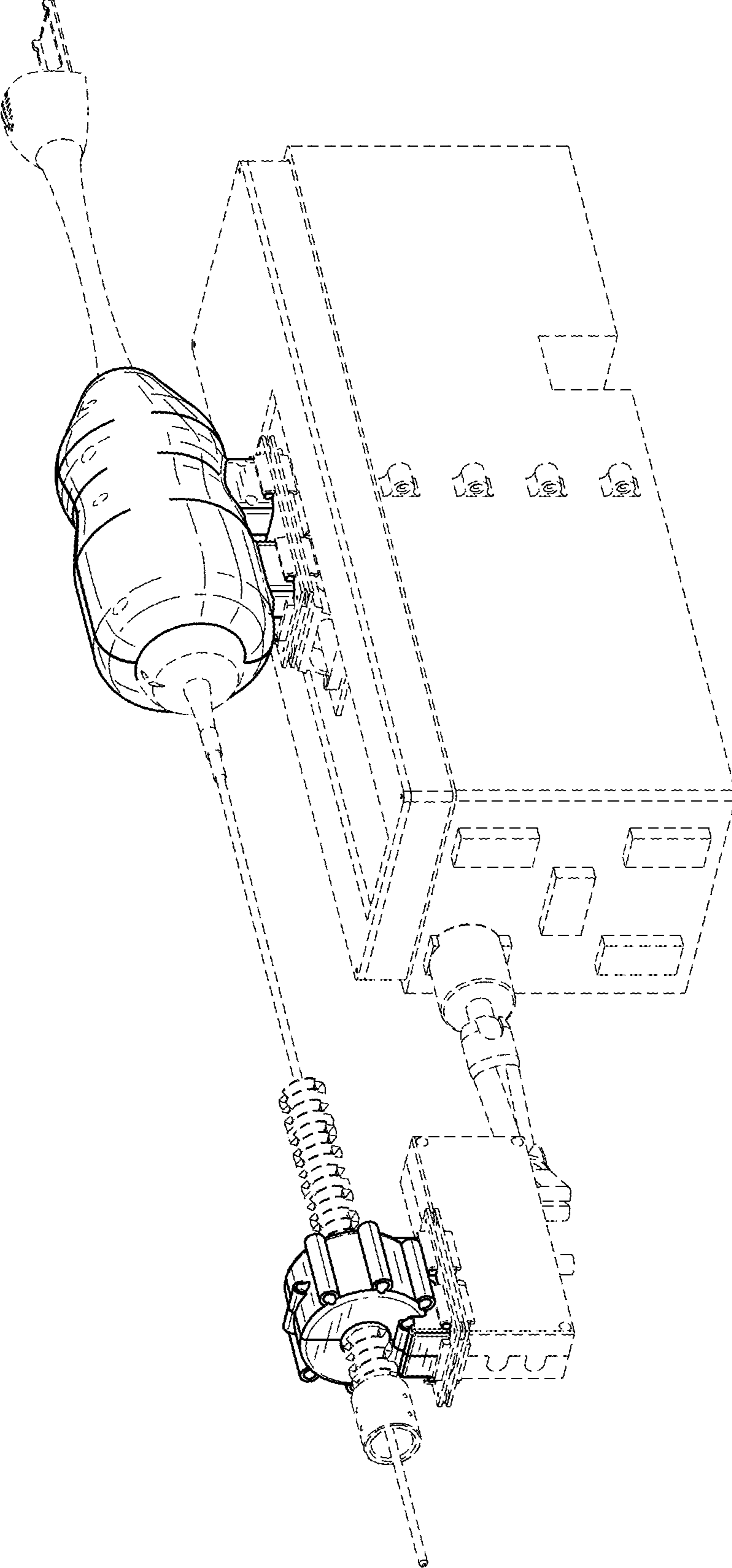


FIG. 1

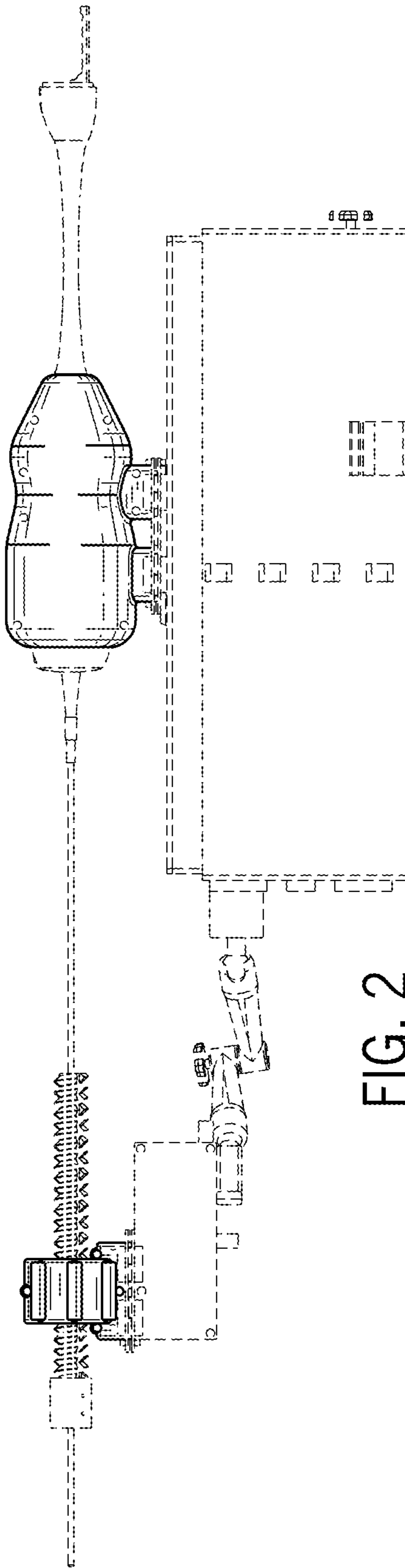


FIG. 2

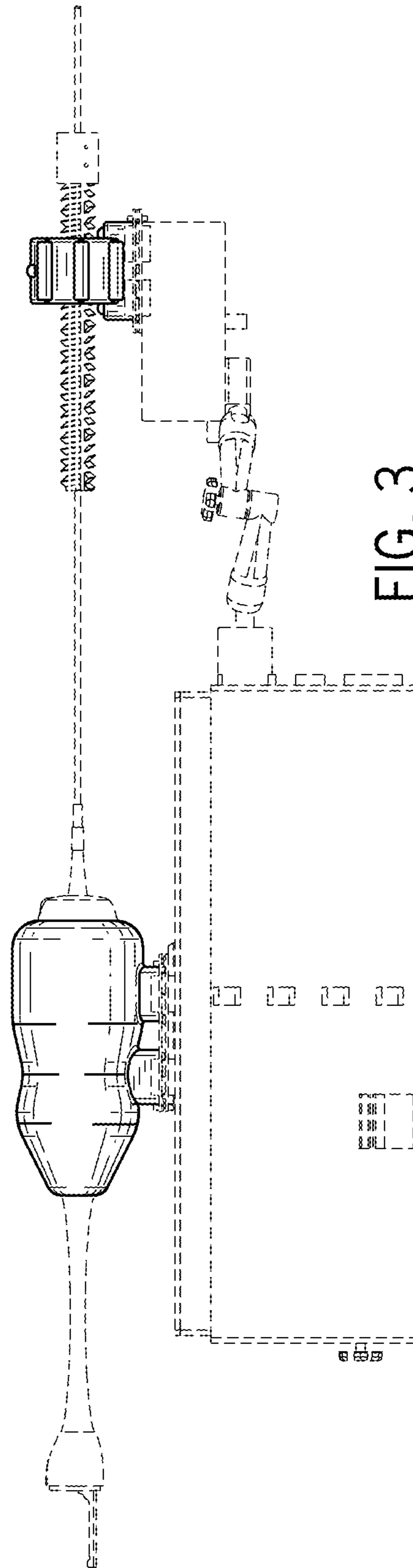


FIG. 3

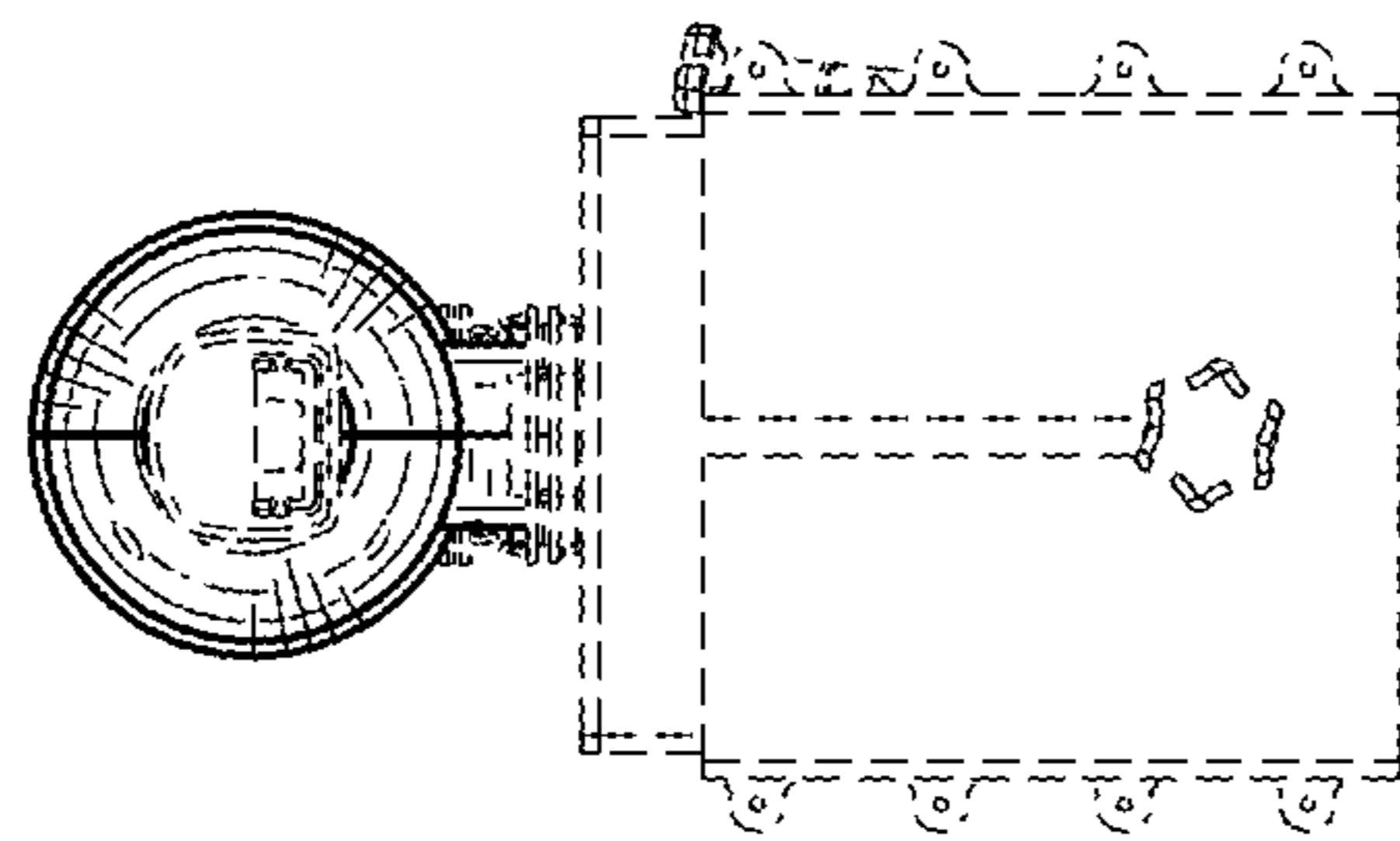


FIG. 5

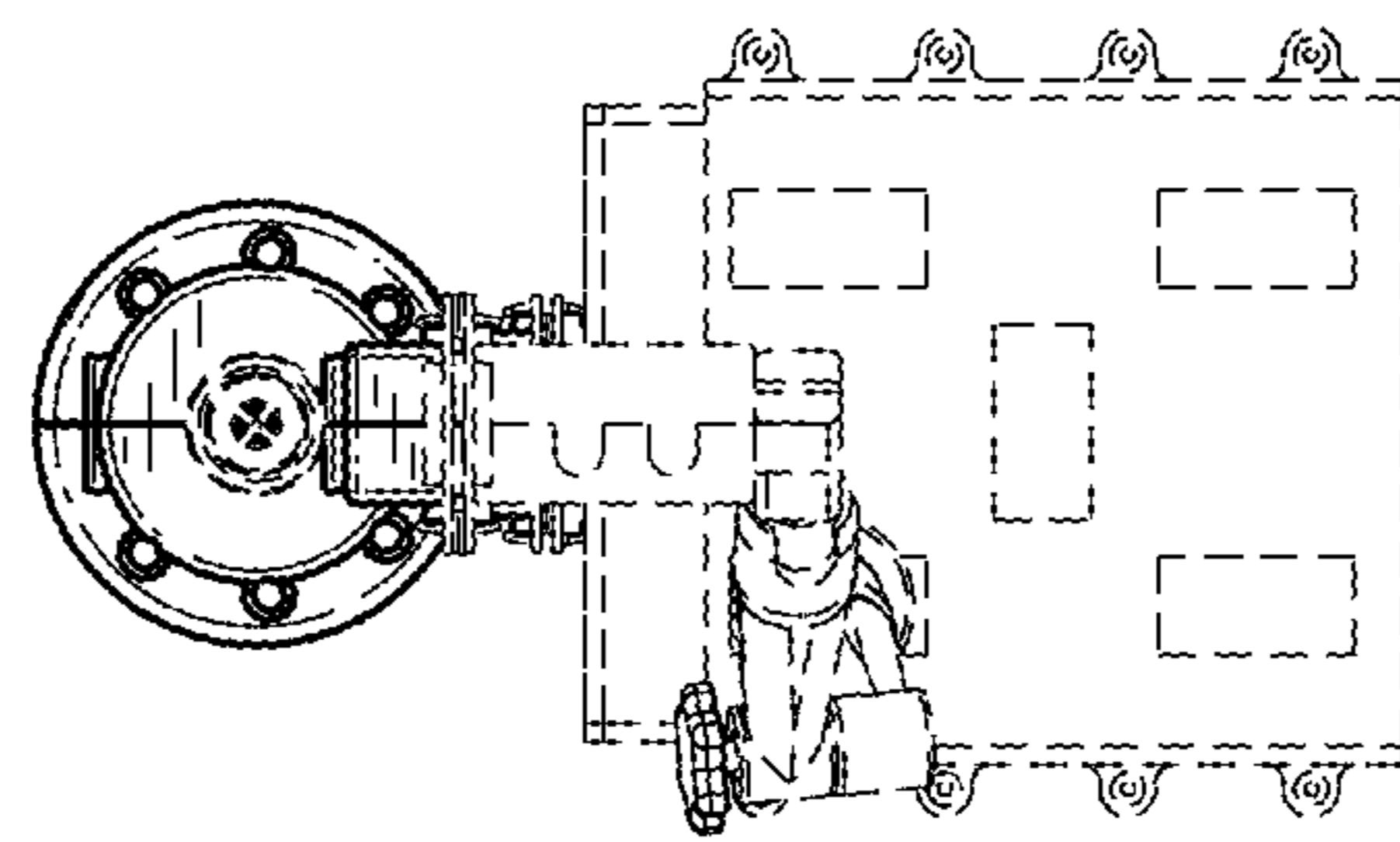


FIG. 4

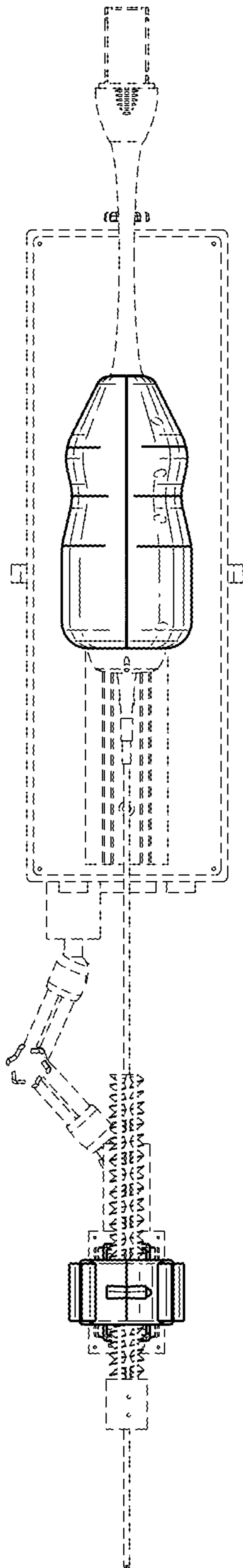


FIG. 6

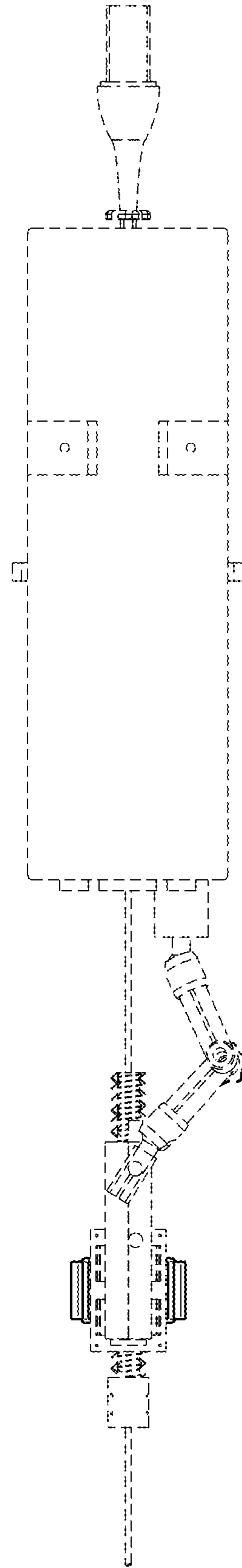


FIG. 7