



US00D935608S

(12) **United States Design Patent** (10) **Patent No.:** **US D935,608 S**
Pfrang et al. (45) **Date of Patent:** **** Nov. 9, 2021**

(54) **PLUNGER FOR SYRINGE**
(71) Applicant: **Chiesi Farmaceutici S.p.A.**, Parma (IT)
(72) Inventors: **Jurgen Pfrang**, Parma (IT); **Andreas Gorshofer**, Parma (IT); **Marta Lombardini**, Parma (IT)
(73) Assignee: **Chiesi Farmaceutici S.p.A.**, Parma (IT)
(**) Term: **15 Years**
(21) Appl. No.: **29/732,923**
(22) Filed: **Apr. 28, 2020**

Related U.S. Application Data

(63) Continuation-in-part of application No. 29/727,564, filed on Mar. 11, 2020, which is a continuation-in-part of application No. 16/355,343, filed on Mar. 15, 2019.
(51) **LOC (13) Cl.** **24-02**
(52) **U.S. Cl.**
USPC **D24/128**
(58) **Field of Classification Search**
USPC D24/112-114, 108, 133, 130, 127, 186; 606/181, 185; 604/264, 272, 187, 181, 604/184, 227
CPC A61M 5/178; A61M 3/00; A61M 5/20; A61M 5/31; A61M 5/3146; A61M 5/3129; A61M 5/3148; A61M 5/315
See application file for complete search history.

References Cited

U.S. PATENT DOCUMENTS

4,444,310 A 4/1984 Odell
D289,796 S * 5/1987 Larkin D24/224
7,195,609 B2 * 3/2007 Huegli A61M 5/31513
604/181
D581,528 S * 11/2008 Sudo D24/130
D589,612 S * 3/2009 Sudo D24/130

D686,322 S * 7/2013 Maeda D24/130
8,968,260 B2 * 3/2015 Horiuchi A61M 5/31513
604/230
D805,164 S * 12/2017 Norman D23/259
D855,799 S * 8/2019 Gonzalez D24/127
D903,857 S * 12/2020 Levy D24/113
D903,858 S * 12/2020 Concu D24/113
D904,605 S * 12/2020 Shi D24/130
2014/0066859 A1 * 3/2014 Ogawa A61M 5/2466
604/201
2016/0317761 A1 11/2016 Iwase et al.
(Continued)

FOREIGN PATENT DOCUMENTS

WO 97/10014 A1 3/1997
WO 2014/045336 A1 3/2014
WO 3 095 476 A1 11/2016
(Continued)

OTHER PUBLICATIONS

Extended European Search Report dated Aug. 6, 2019, in Patent Application No. 19163093.8, citing documents AA-AC and AO-AR therein, 8 pages.

Primary Examiner — David G Muller
(74) *Attorney, Agent, or Firm* — Oblon, McClelland, Maier & Neustadt, L.L.P.

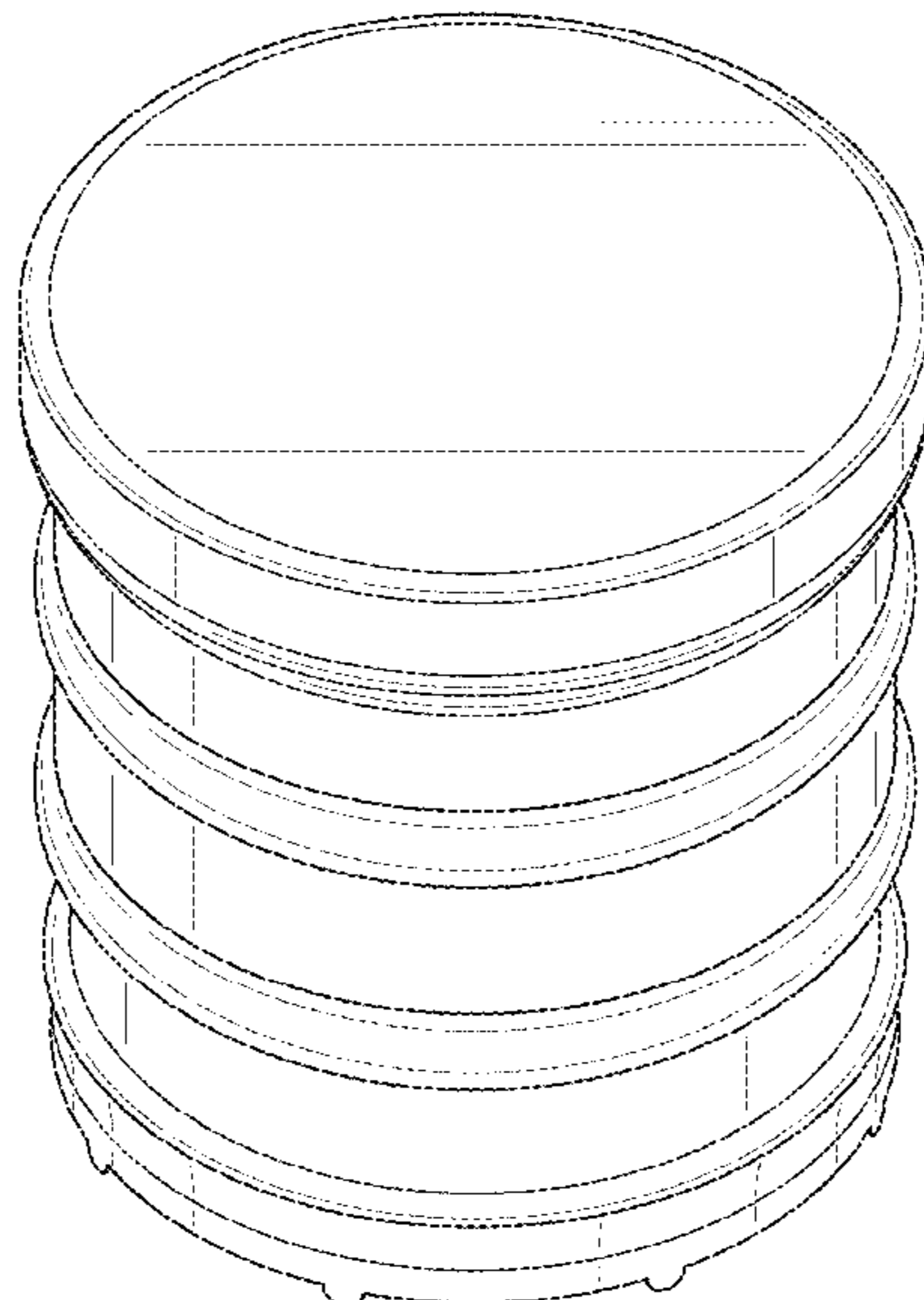
(57) **CLAIM**

The ornamental design for a plunger for syringe, as shown and described.

DESCRIPTION

FIG. 1 is a bottom perspective view of a plunger for syringe according to our design;
FIG. 2 is a top perspective view thereof;
FIG. 3 is a side elevational view thereof;
FIG. 4 is a bottom plan view thereof; and,
FIG. 5 is a top plan view thereof.

1 Claim, 5 Drawing Sheets



(56)

References Cited

U.S. PATENT DOCUMENTS

2019/0175817 A1 6/2019 Ogawa et al.

FOREIGN PATENT DOCUMENTS

WO 2018/038078 A1 3/2018

WO WO-2019182870 A1 * 9/2019 A61M 5/31513

* cited by examiner

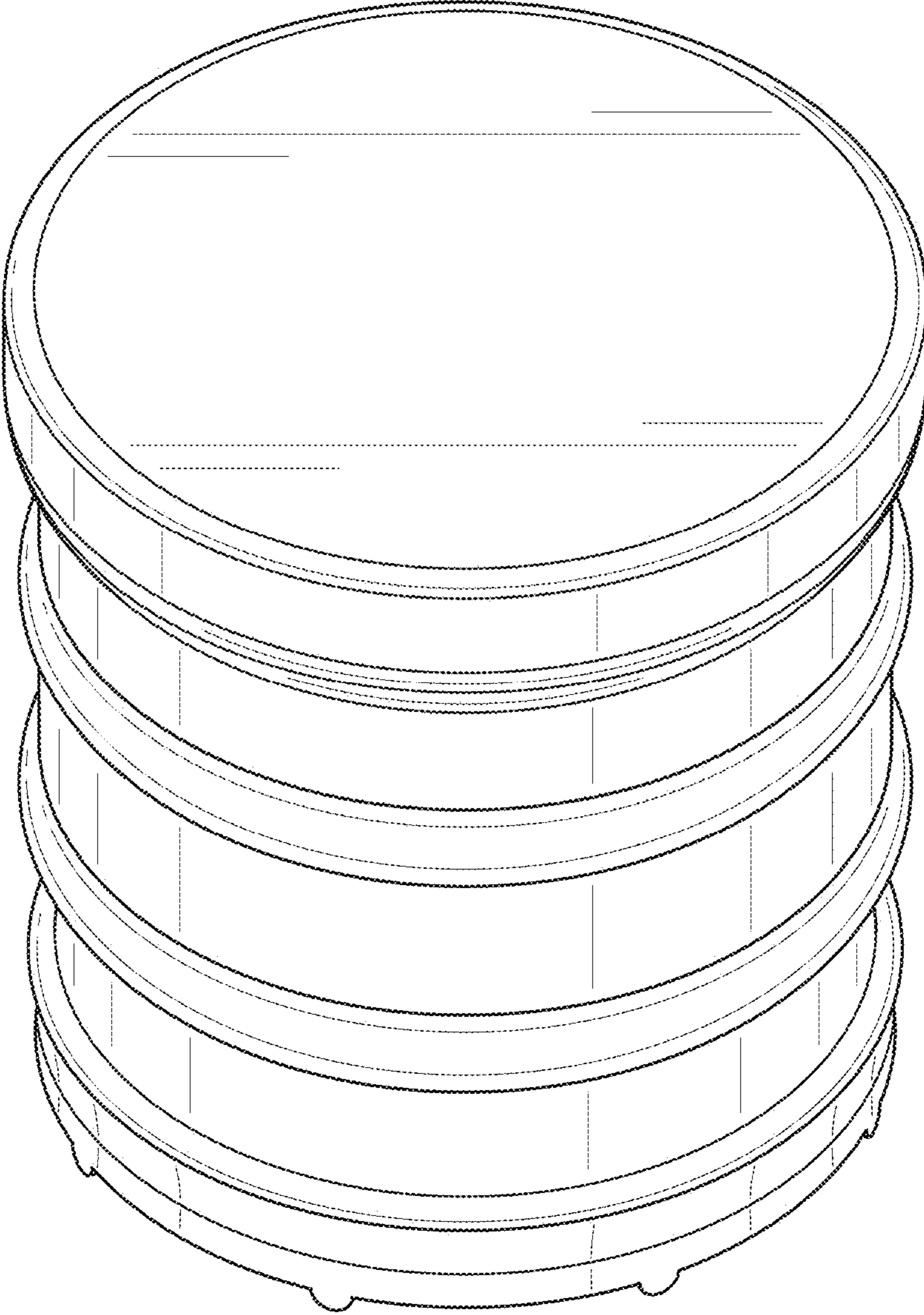


FIG. 1

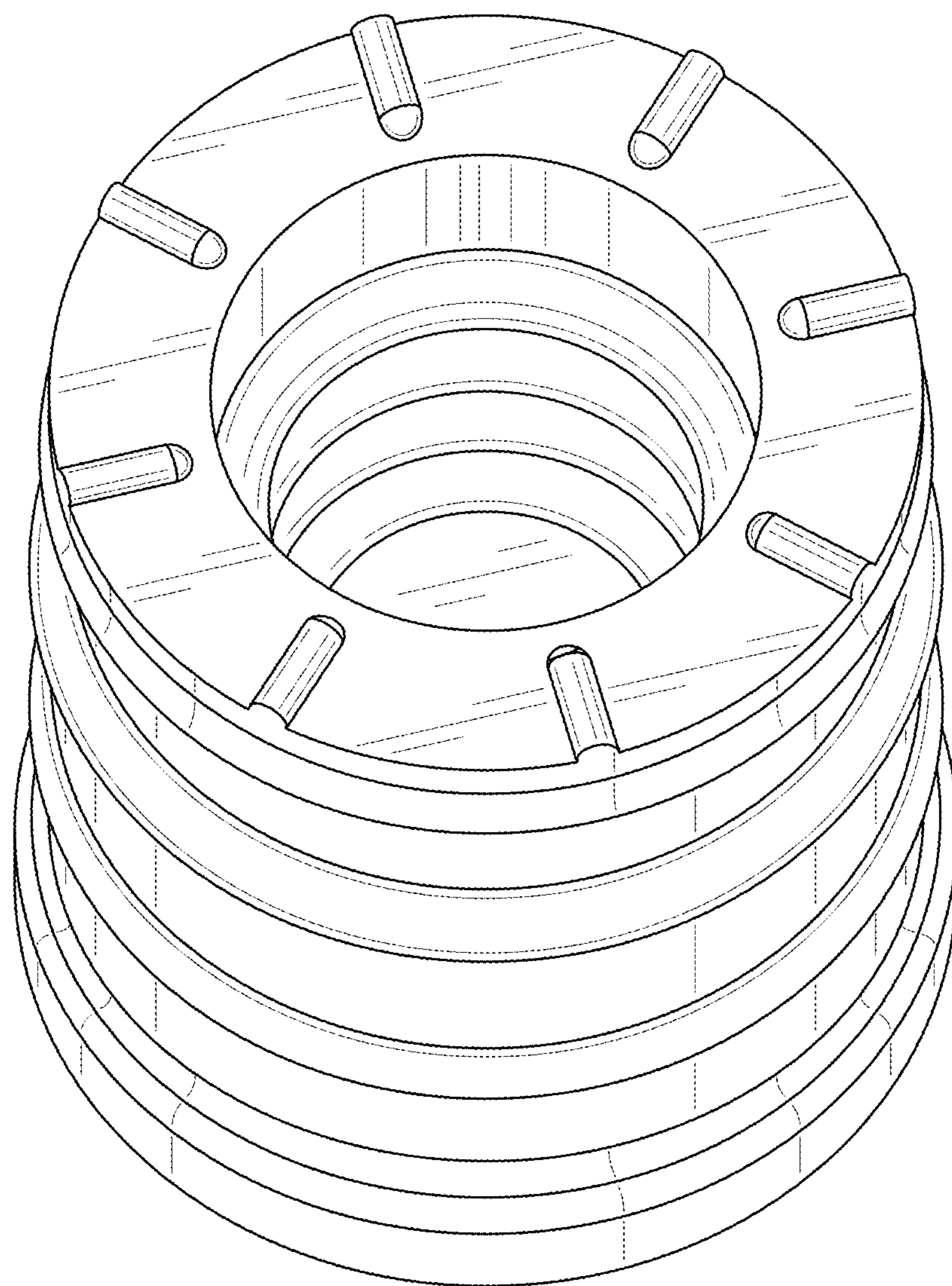


FIG. 2

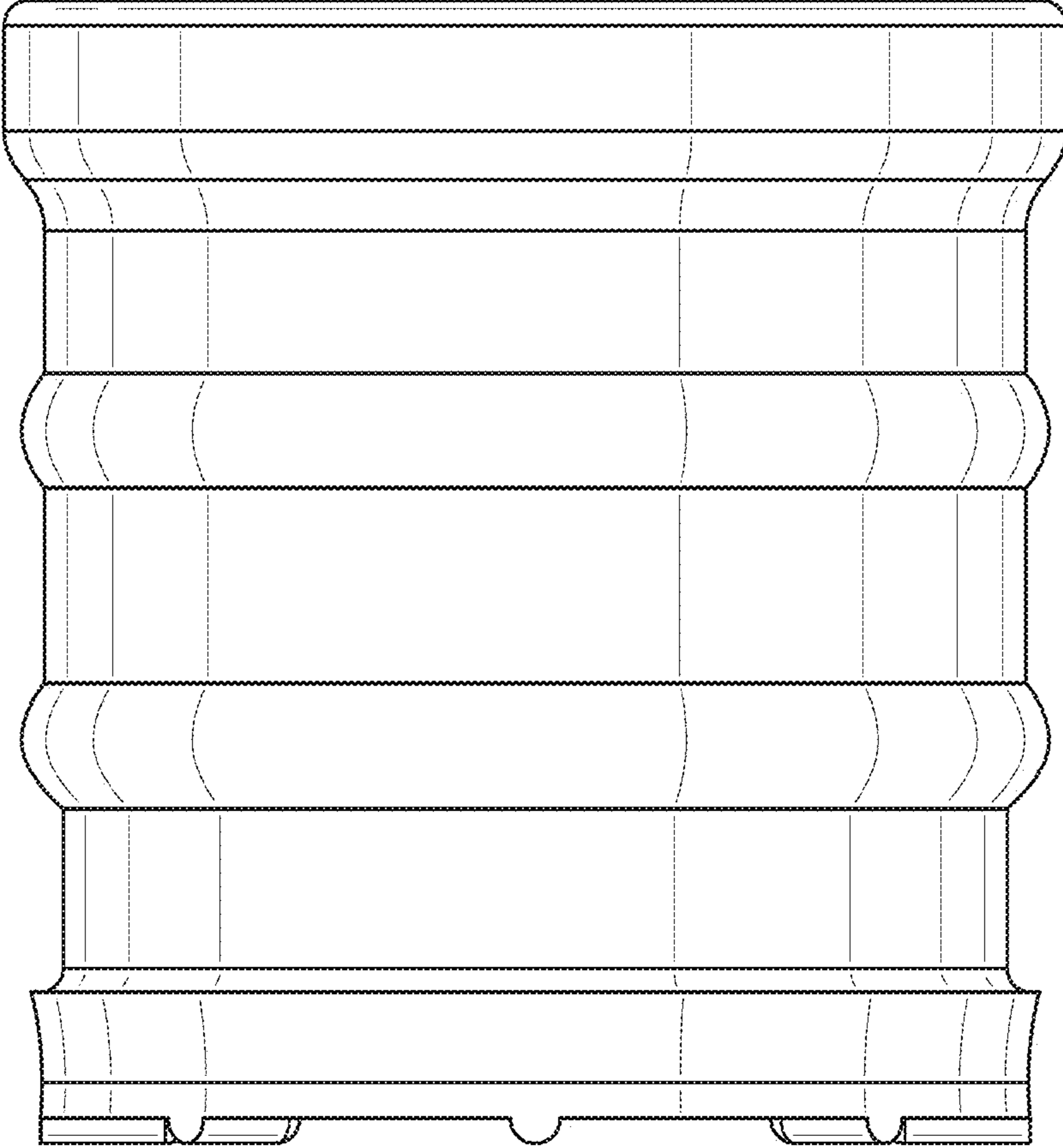


FIG. 3

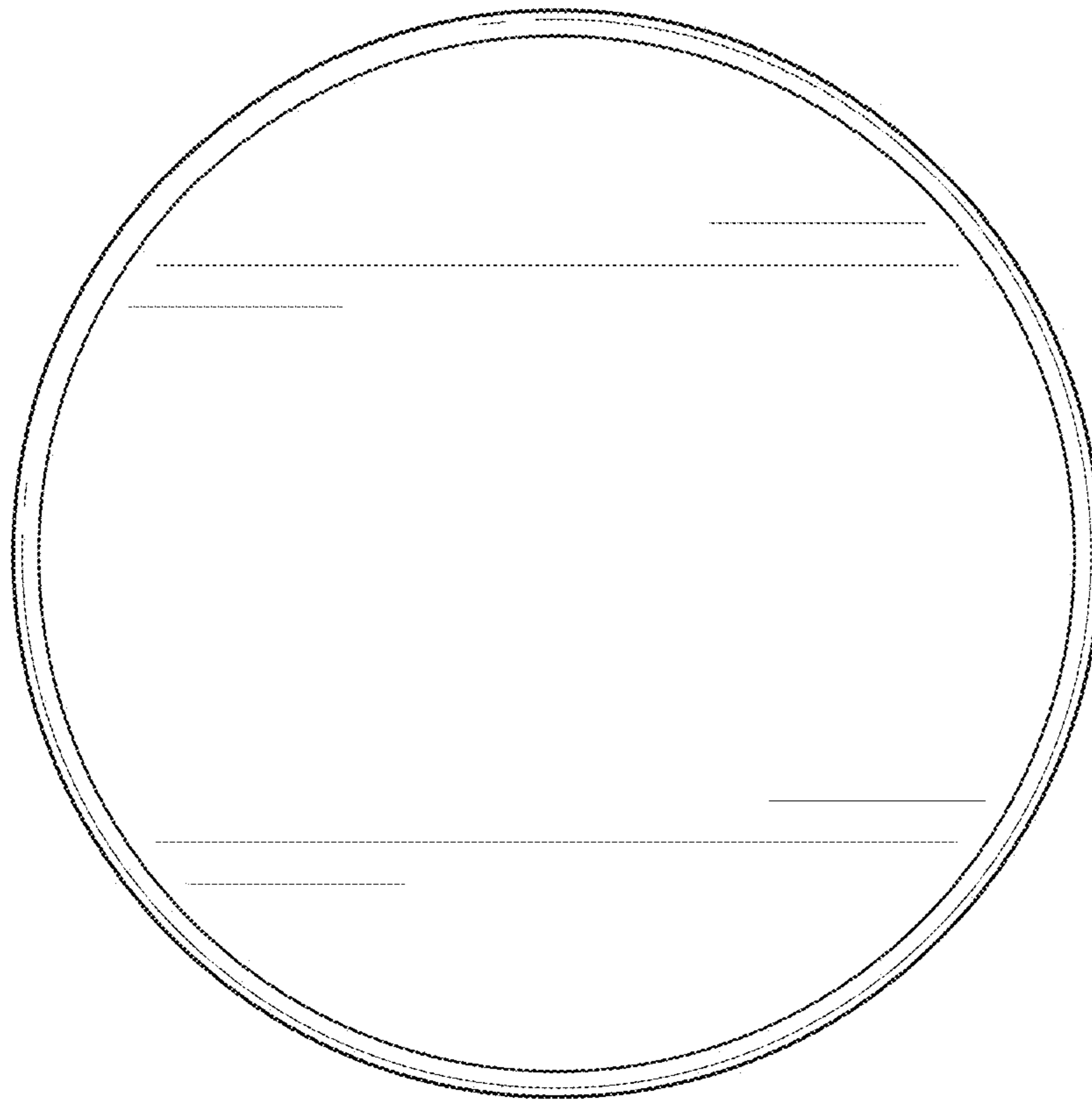


FIG. 4

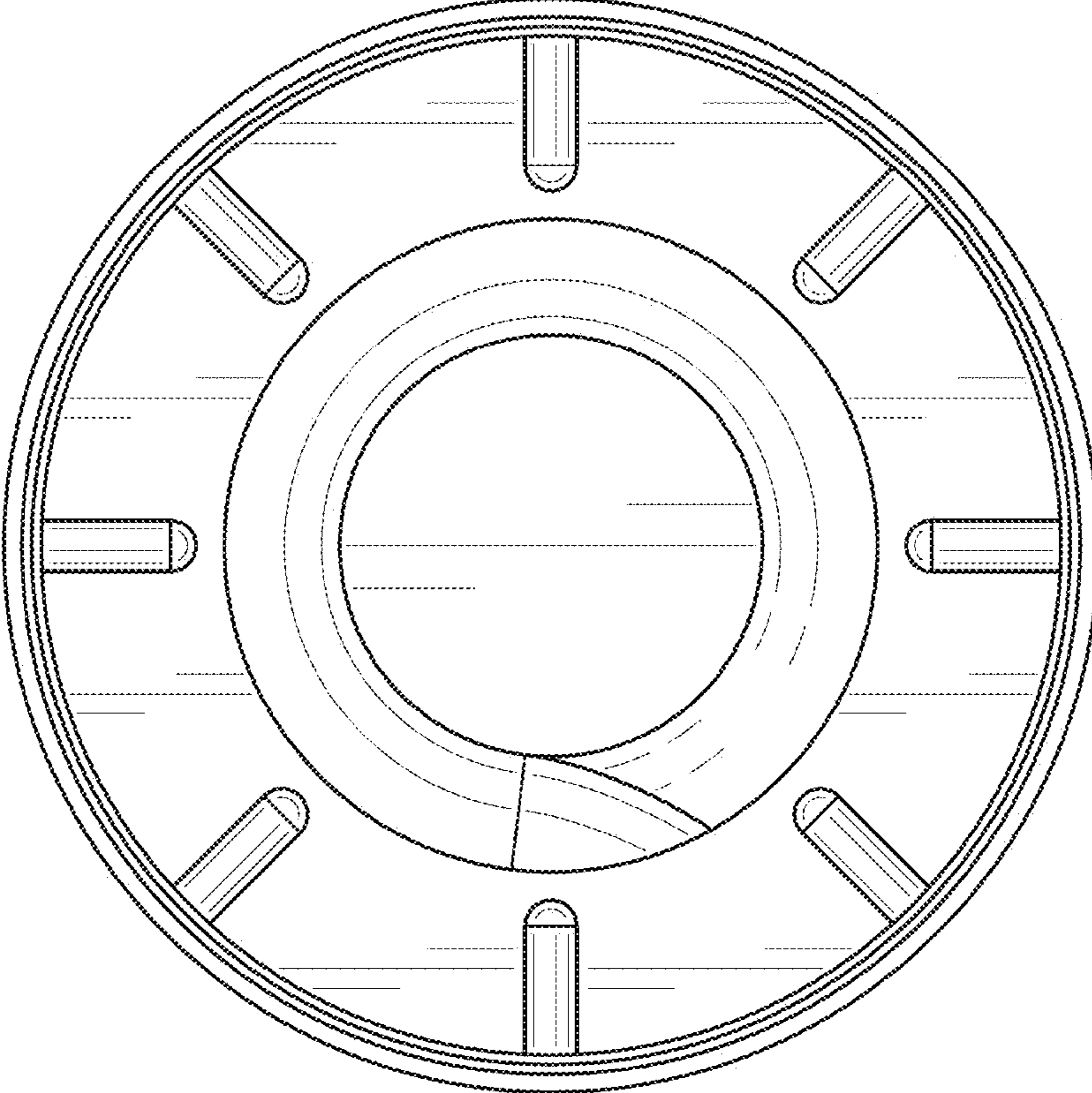


FIG. 5