



US00D935605S

(12) **United States Design Patent** (10) **Patent No.:** **US D935,605 S**  
**Reber et al.** (45) **Date of Patent:** **\*\* Nov. 9, 2021**

(54) **SYRINGE FOR DENTAL USE**  
 (71) Applicant: **3lmed GmbH**, Marburg/Lahn (DE)  
 (72) Inventors: **Jens-Peter Reber**, Meinerzhagen (DE);  
**Alexander Bublewitz**, Herborn (DE)  
 (\*\*) Term: **15 Years**

D428,141 S \* 7/2000 Brotspies ..... D24/114  
 D457,626 S \* 5/2002 Farris ..... D24/112  
 D463,562 S \* 9/2002 Crawford ..... D24/128  
 D465,844 S \* 11/2002 Anderson ..... D24/130  
 D470,234 S \* 2/2003 Mahurkar ..... D24/112  
 D474,838 S \* 5/2003 Mahurkar ..... D24/112  
 D775,723 S \* 1/2017 Rowe ..... D24/112  
 D825,751 S \* 8/2018 Yoon ..... D24/130  
 D846,737 S \* 4/2019 Karasawa ..... D24/130

(21) Appl. No.: **35/508,482**  
 (22) Filed: **Jul. 5, 2019**

\* cited by examiner

*Primary Examiner* — Eliza Z Bennett-Hattan

(80) **Hague Agreement Data**

Int. Filing Date: **Jul. 5, 2019**  
 Int. Reg. No.: **DM/205426**  
 Int. Reg. Date: **Jul. 5, 2019**  
 Int. Reg. Pub. Date: **Jan. 31, 2020**

(57) **CLAIM**

The ornamental design for syringe for dental use, as shown and described.

(51) **LOC (13) Cl.** ..... **24-02**  
 (52) **U.S. Cl.**  
 USPC ..... **D24/114**  
 (58) **Field of Classification Search**  
 USPC ..... D24/114, 113, 112, 130  
 CPC ..... A61C 5/62; A61C 17/0217; A61C 9/0026;  
 A61M 5/24; A61M 5/20; A61M  
 2005/1787; B05C 17/00593  
 See application file for complete search history.

**DESCRIPTION**

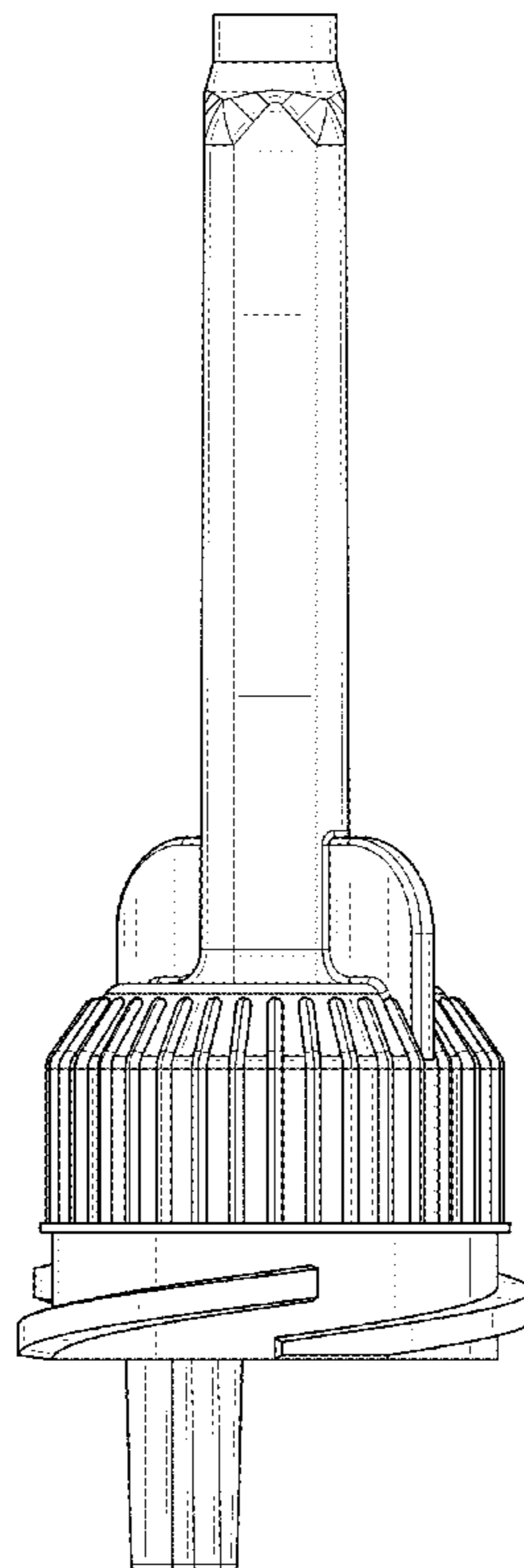
Fig. 1.1 is a front view of a syringe for dental use;  
 Fig. 1.2 is a back view thereof;  
 Fig. 1.3 is a left view thereof;  
 Fig. 1.4 is a bottom view thereof;  
 Fig. 1.5 is a top view thereof;  
 Fig. 1.6 is a right view thereof; and  
 Fig. 1.7 is a perspective view thereof.  
 The broken lines shown in the drawings are included for illustrating portions of the syringe for dental use that form no part of the claimed design.

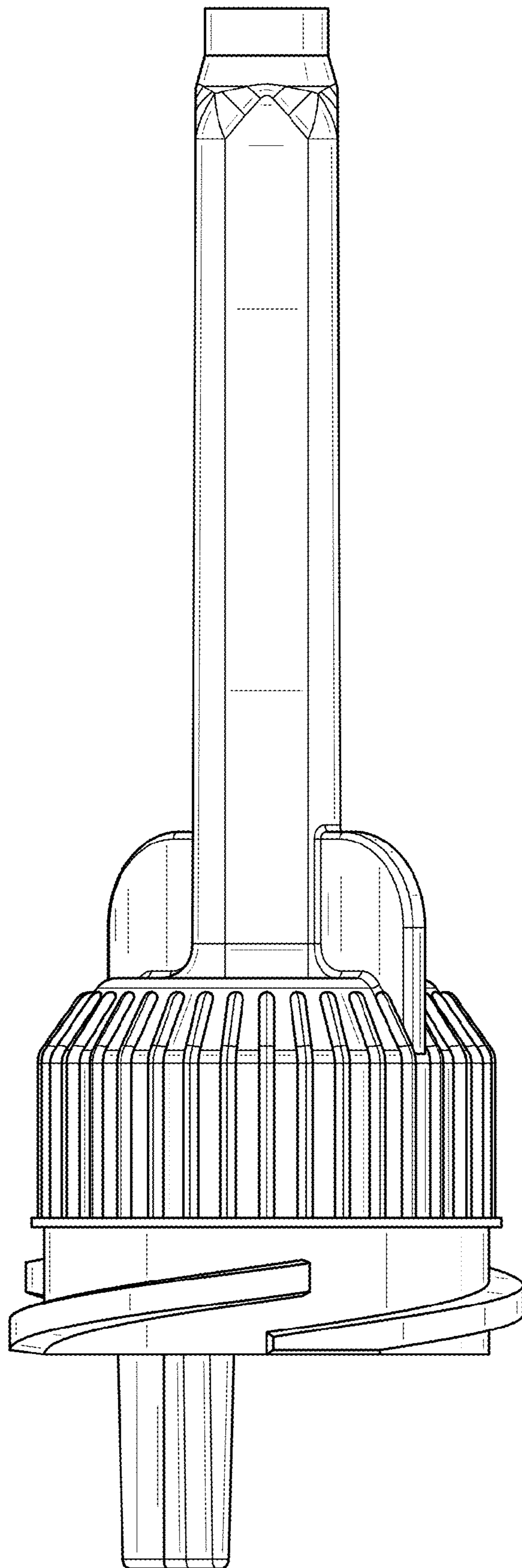
(56) **References Cited**

**U.S. PATENT DOCUMENTS**

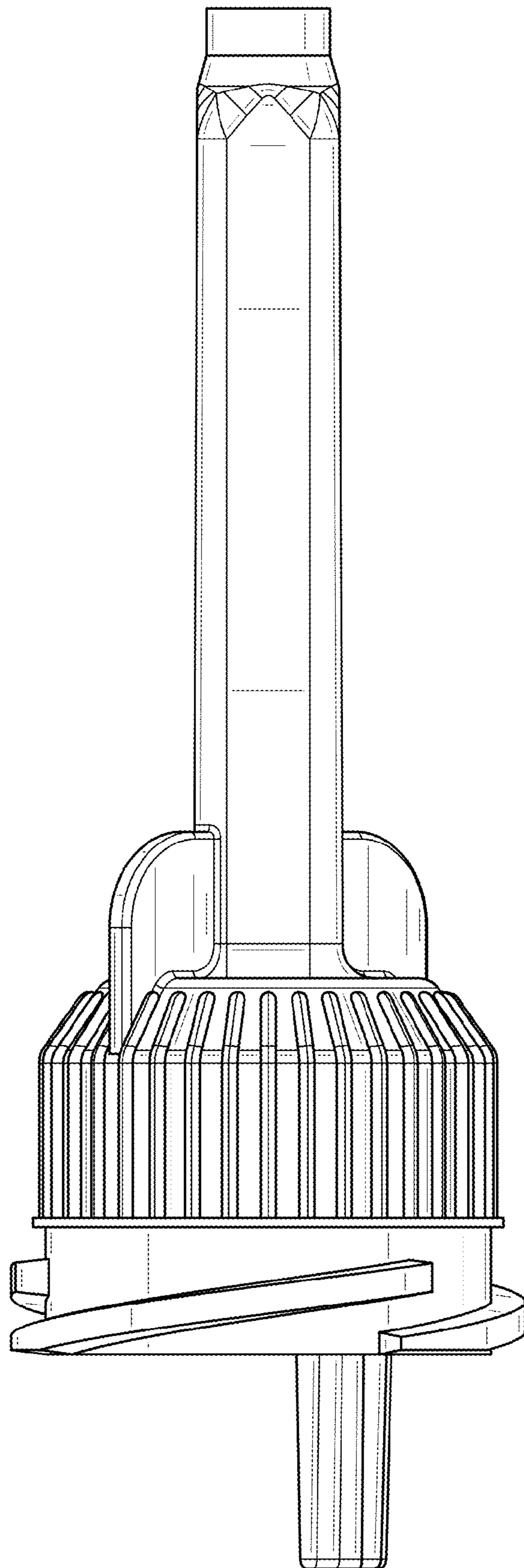
D267,154 S \* 12/1982 Bilgutay ..... D10/103  
 D283,921 S \* 5/1986 Dyak ..... D24/114

**1 Claim, 7 Drawing Sheets**

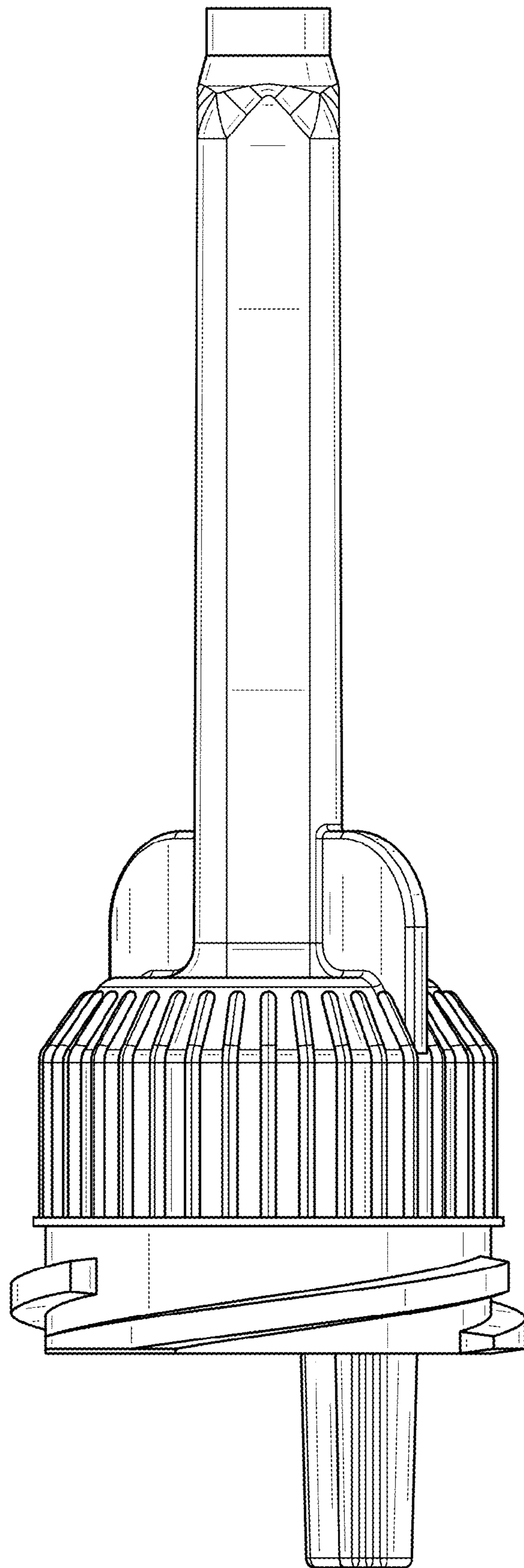




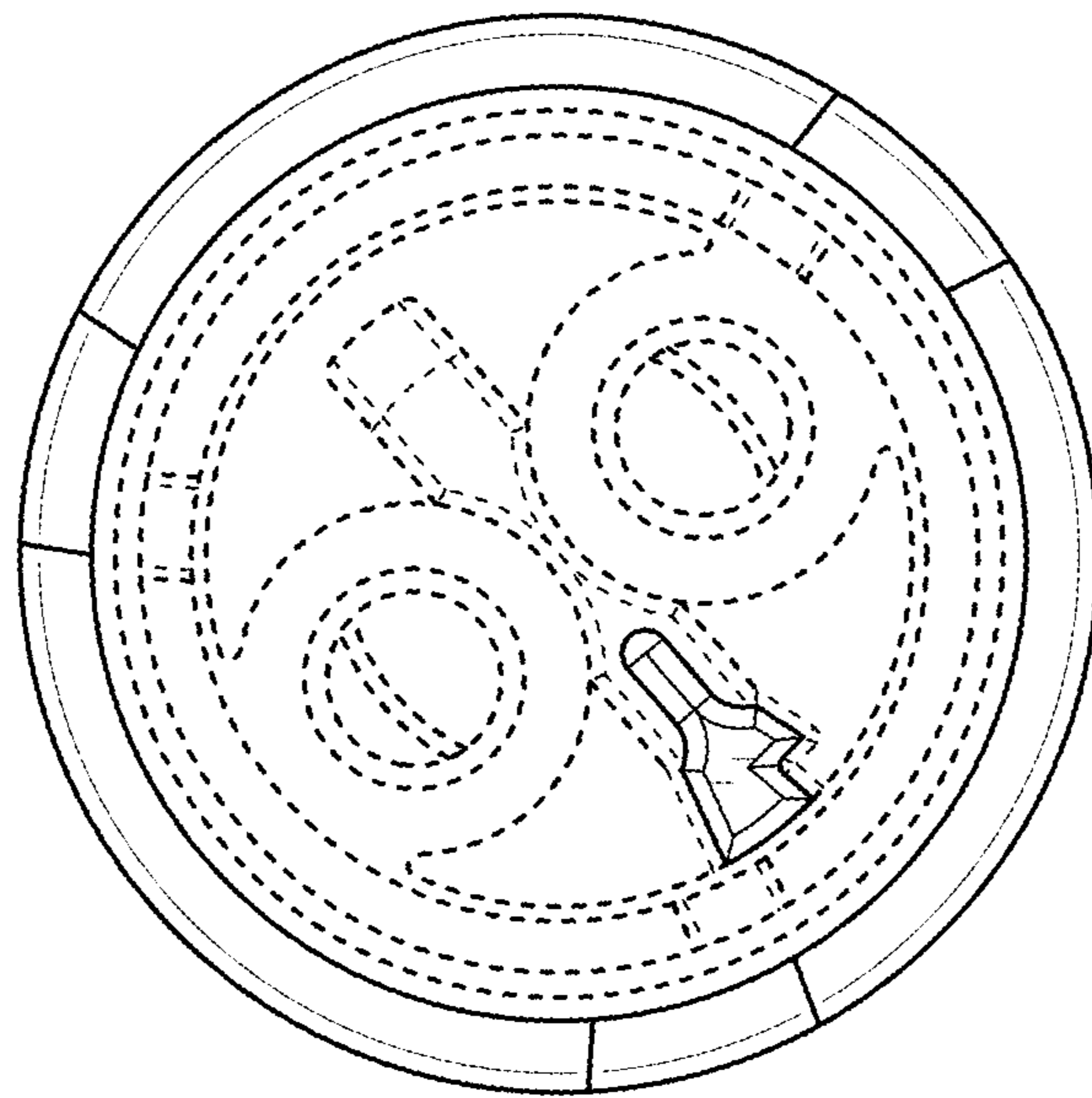
1.1



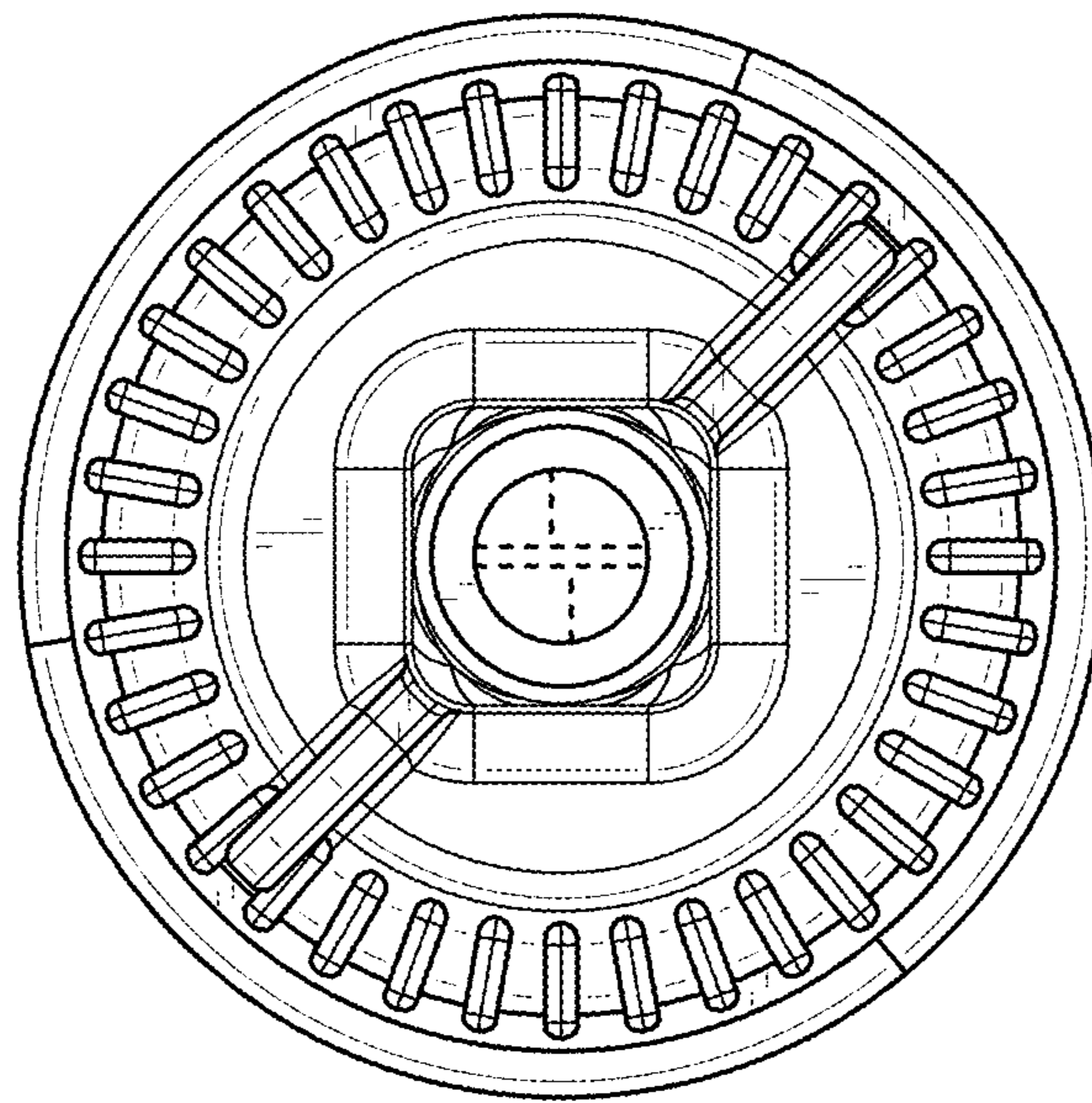
1.2



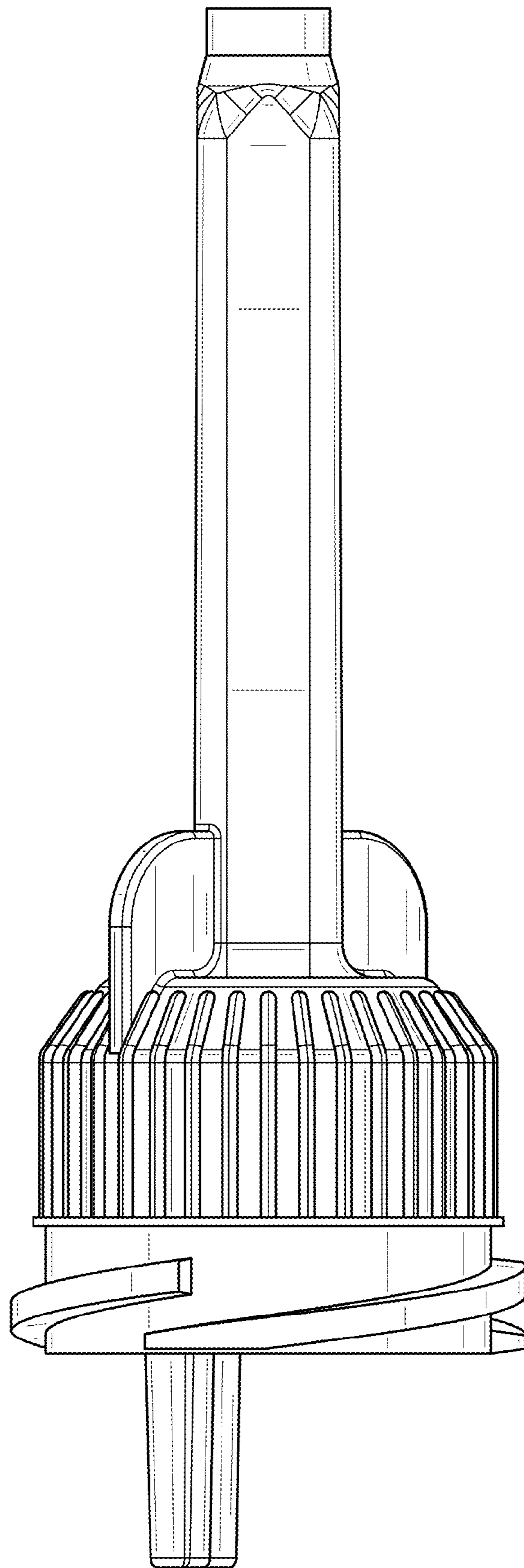
1.3



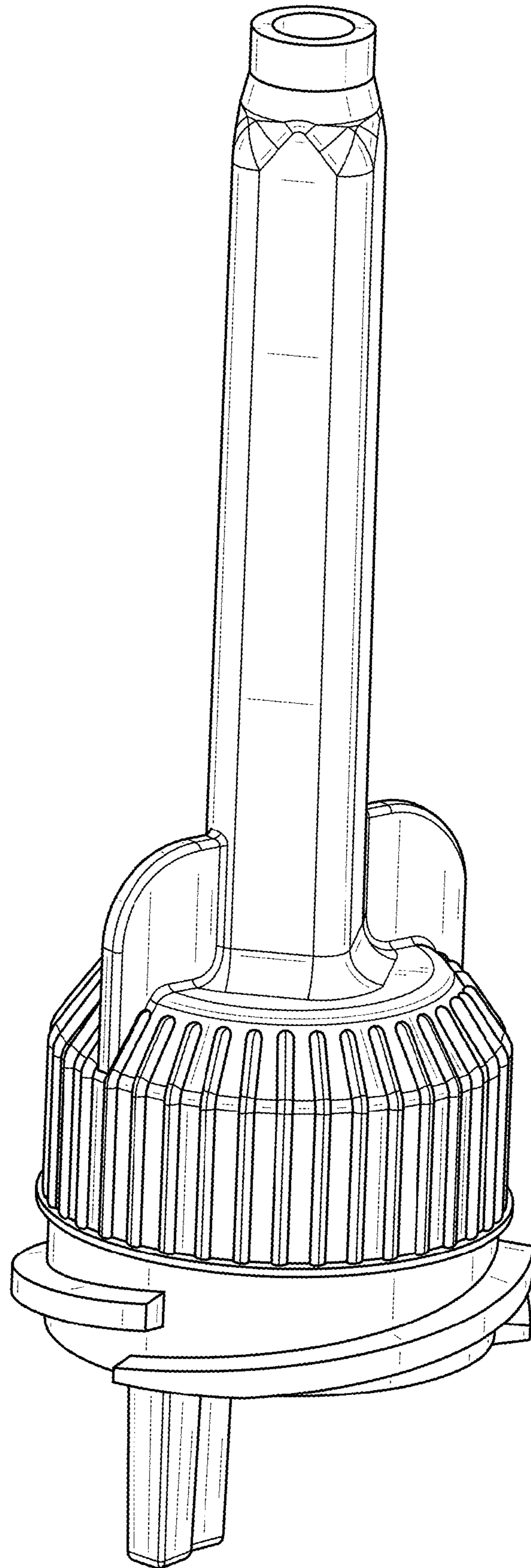
1.4



1.5



1.6



1.7