



US00D935604S

(12) **United States Design Patent** (10) **Patent No.:** **US D935,604 S**
Gregory et al. (45) **Date of Patent:** **** Nov. 9, 2021**

(54) **MEDICAMENT DELIVERY DEVICE**

8,613,719 B2 * 12/2013 Karratt G08B 6/00
604/67

(71) Applicant: **Zealand Pharma A/S**, Søborg (DK)

8,708,957 B2 4/2014 Jespersen et al.

D829,889 S 10/2018 Hwang et al.

(72) Inventors: **Christopher Gregory**, Hopkinton, MA (US); **Geoffrey Jenkins**, Dartmouth, MA (US); **Matthew Johnson**, Boylston, MA (US)

D857,191 S 8/2019 Hwang et al.

D877,892 S 3/2020 Stonecipher et al.

(Continued)

FOREIGN PATENT DOCUMENTS

(73) Assignee: **ZEALAND PHARMA A/S**, Søborg (DK)

WO 2016029758 A1 3/2016

WO 2016041867 A1 3/2016

WO 2017071983 A1 5/2017

(**) Term: **15 Years**

OTHER PUBLICATIONS

(21) Appl. No.: **29/771,869**

International Search Report dated Nov. 14, 2018 for International PCT Patent Application No. PCT/US2018/042079, 4 pages.

(22) Filed: **Feb. 25, 2021**

(Continued)

Related U.S. Application Data

(63) Continuation of application No. 29/740,176, filed on Jul. 1, 2020, now Pat. No. Des. 914,200, which is a continuation of application No. 16/627,577, filed as application No. PCT/US2018/042079 on Jul. 13, 2018.

Primary Examiner — David G Muller

(74) *Attorney, Agent, or Firm* — Morgan, Lewis & Bockius LLP

(51) **LOC (13) Cl.** **24-02**

(52) **U.S. Cl.**

USPC **D24/113**

(58) **Field of Classification Search**

USPC D24/112–114, 108, 133, 130, 127, 186; 606/181, 185; 604/264, 272, 187, 181, 604/184, 227

CPC A61M 5/178; A61M 3/00; A61M 5/20; A61M 5/31; A61M 5/3146; A61M 5/3129; A61M 5/3148; A61M 5/315

See application file for complete search history.

(57)

CLAIM

The ornamental design for a medicament delivery device, as shown and described.

DESCRIPTION

FIG. 1 is a front perspective view of a medicament delivery device showing our new design;

FIG. 2 is a bottom elevational view thereof;

FIG. 3 is a top elevational view thereof;

FIG. 4 is a left-side elevational view thereof;

FIG. 5 is a right-side elevational view thereof;

FIG. 6 is a front elevational view thereof; and,

FIG. 7 is a bottom elevational view thereof.

The broken lines in the figures show portions of the medicament delivery device that form no part of the claimed design.

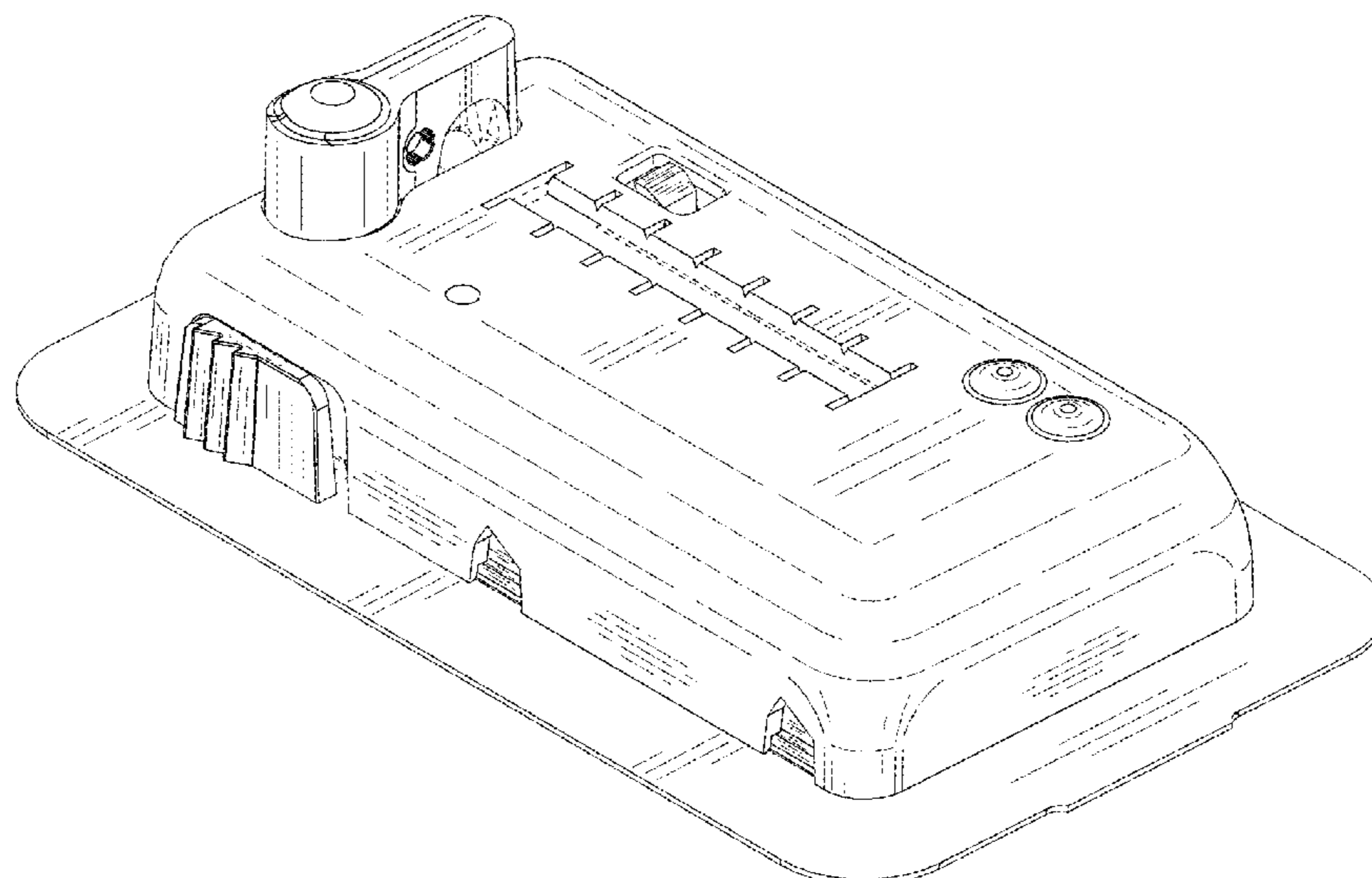
(56) **References Cited**

U.S. PATENT DOCUMENTS

8,449,504 B2 * 5/2013 Carter A61M 5/1626
604/180

D685,083 S * 6/2013 Schneider D24/108

1 Claim, 5 Drawing Sheets



(56)

References Cited

U.S. PATENT DOCUMENTS

D877,893 S 3/2020 Stonecipher et al.
 2002/0169439 A1 11/2002 Flaherty
 2007/0287960 A1* 12/2007 Adams A61M 5/14248
 604/151
 2008/0119790 A1* 5/2008 Hawkins A61M 5/158
 604/131
 2009/0088692 A1* 4/2009 Adams A61M 5/14248
 604/151
 2009/0182277 A1* 7/2009 Carter A61M 5/14586
 604/151
 2011/0098652 A1* 4/2011 Hasted A61M 5/158
 604/174
 2011/0282293 A1* 11/2011 Hordum A61M 25/02
 604/180
 2011/0306929 A1 12/2011 Levesque et al.
 2012/0010594 A1* 1/2012 Holt A61M 5/14248
 604/506

2012/0053522 A1* 3/2012 Yodfat A61M 5/31576
 604/151
 2015/0250943 A1* 9/2015 Momose F04B 43/08
 604/151
 2016/0213856 A1 7/2016 Despa et al.
 2016/0317738 A1* 11/2016 Cross A61M 5/16881
 2017/0035960 A1 2/2017 Elder et al.
 2017/0119969 A1 5/2017 McCullough et al.
 2018/0228966 A1 8/2018 Barmaimon et al.
 2018/0353682 A1 10/2018 Laurence et al.
 2019/0009019 A1 1/2019 Shor et al.
 2019/0022317 A1 6/2019 Uddin et al.
 2019/0192765 A1 6/2019 Kim et al.
 2019/0192766 A1 6/2019 Stonecipher
 2020/0316291 A1 10/2020 Gibson et al.

OTHER PUBLICATIONS

Written Opinion dated Nov. 14, 2018 for International PCT Patent Application No. PCT/US2018/042079, 7 pages.

* cited by examiner

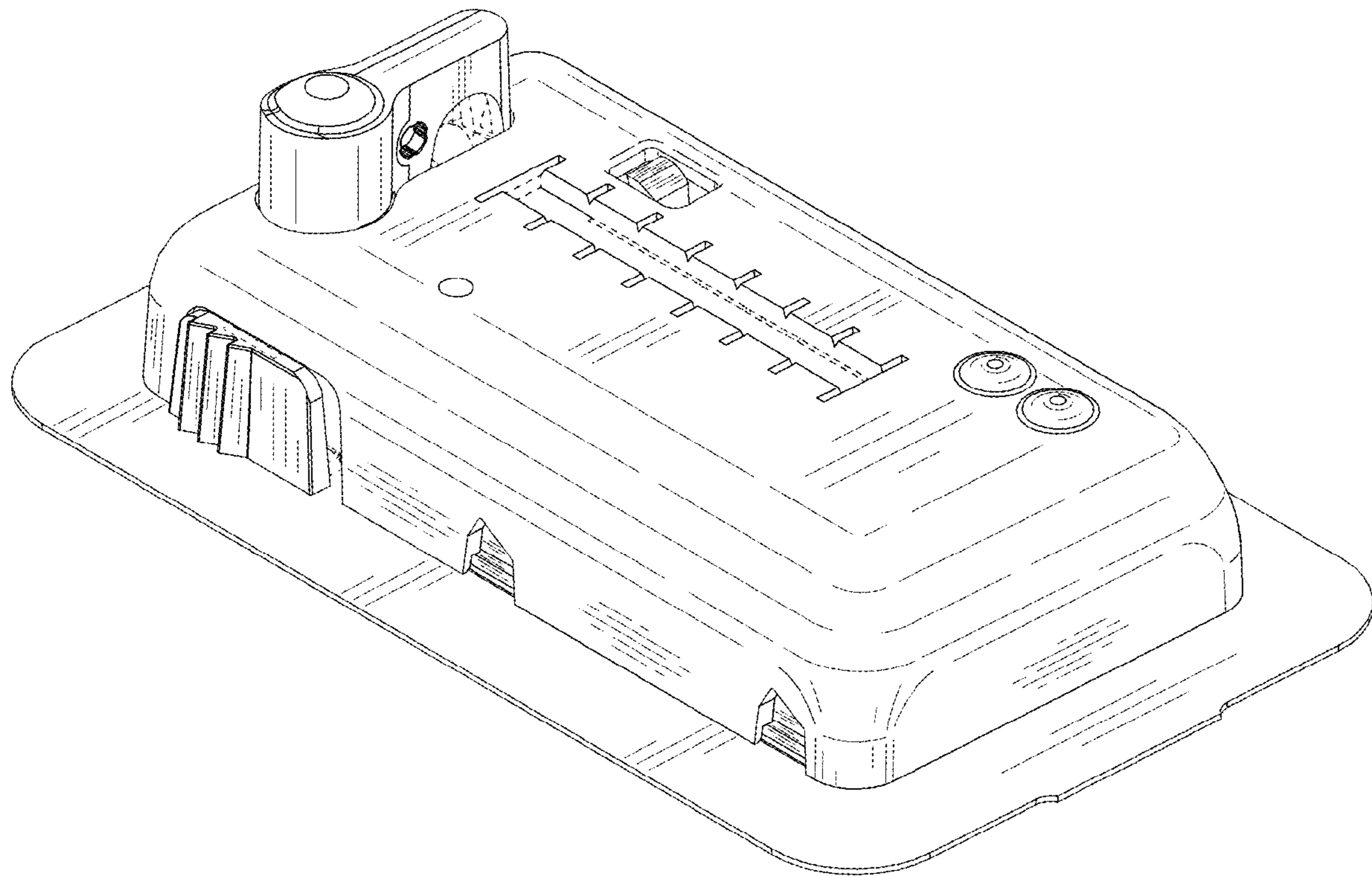


FIG. 1

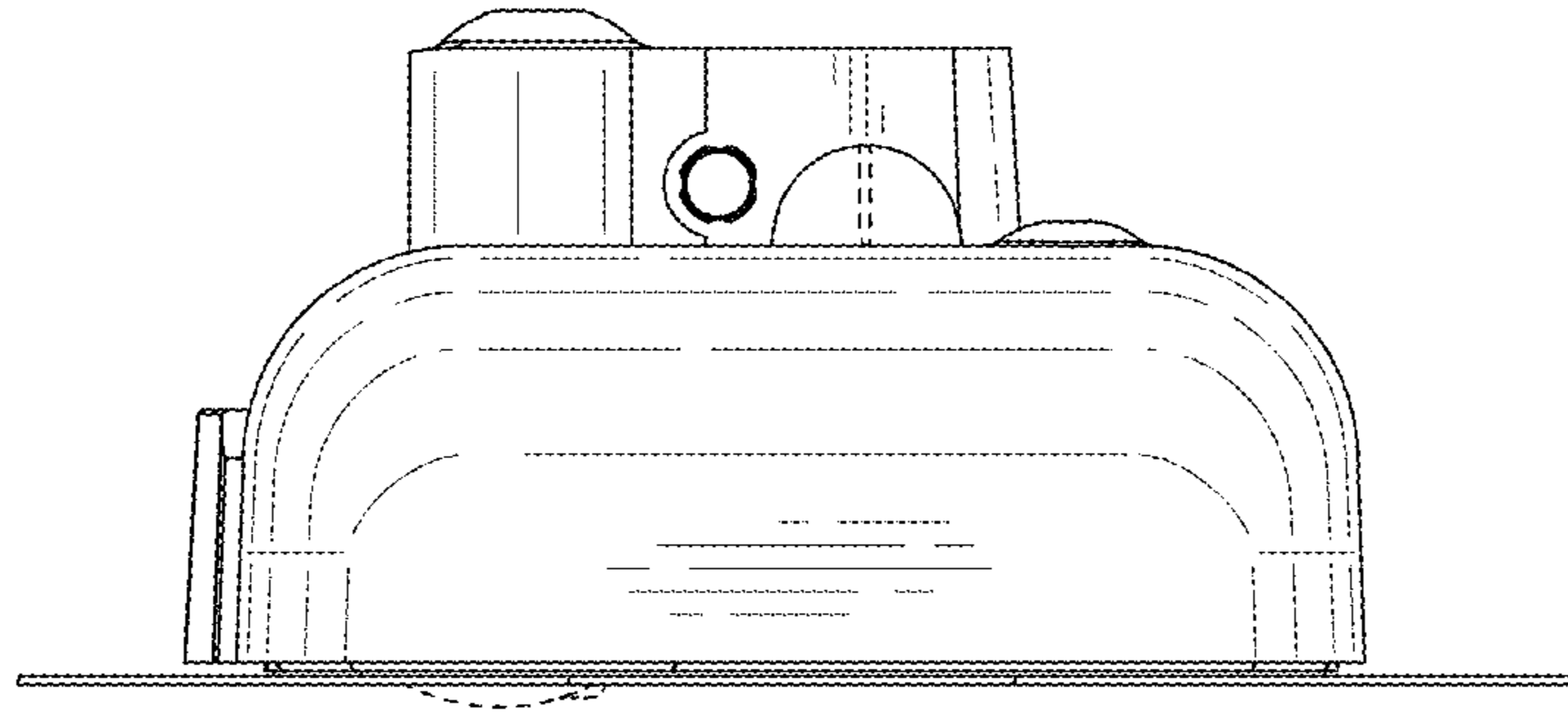


FIG. 2

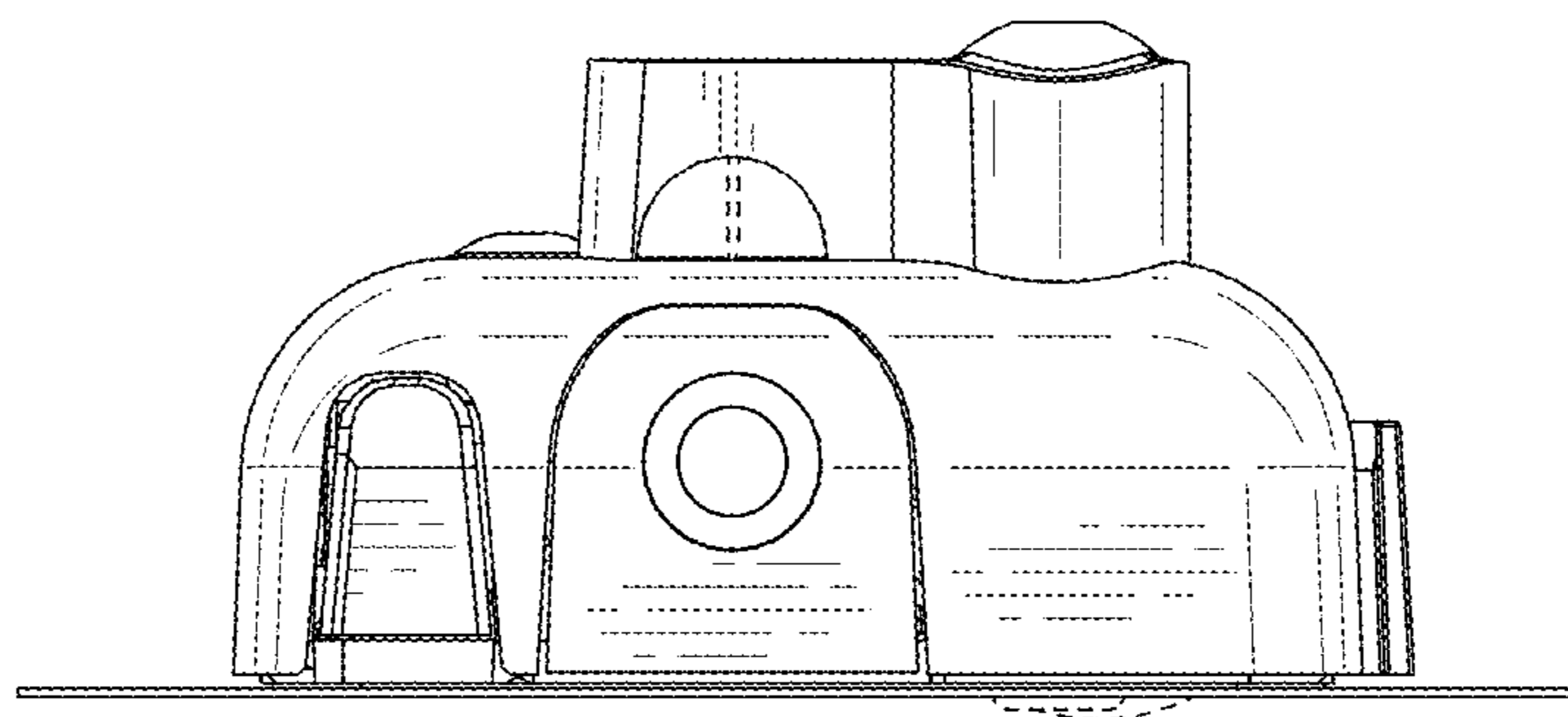


FIG. 3

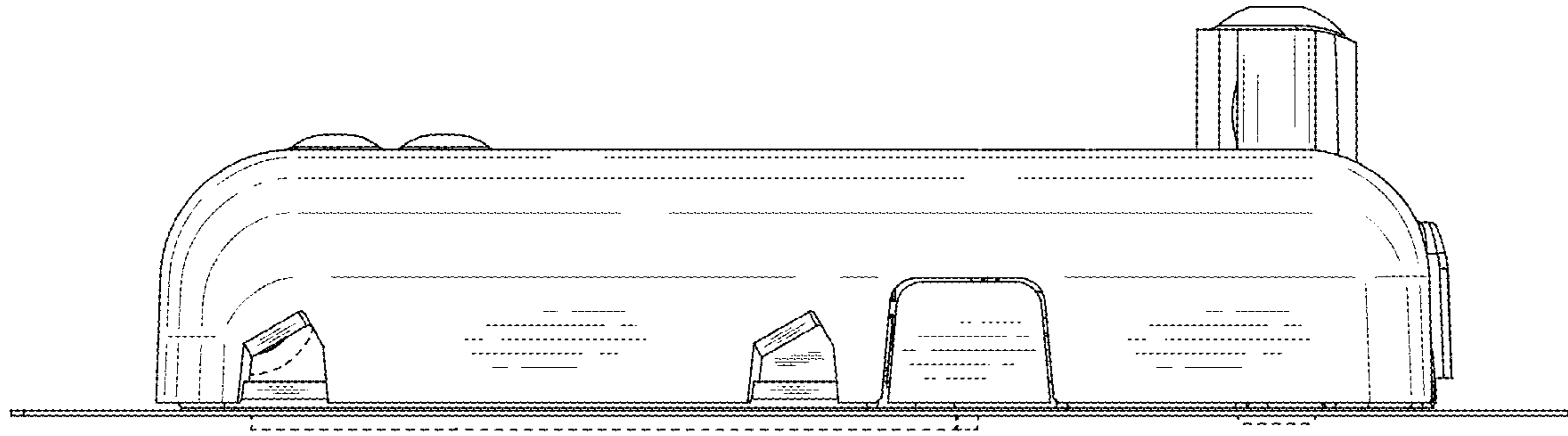


FIG. 4

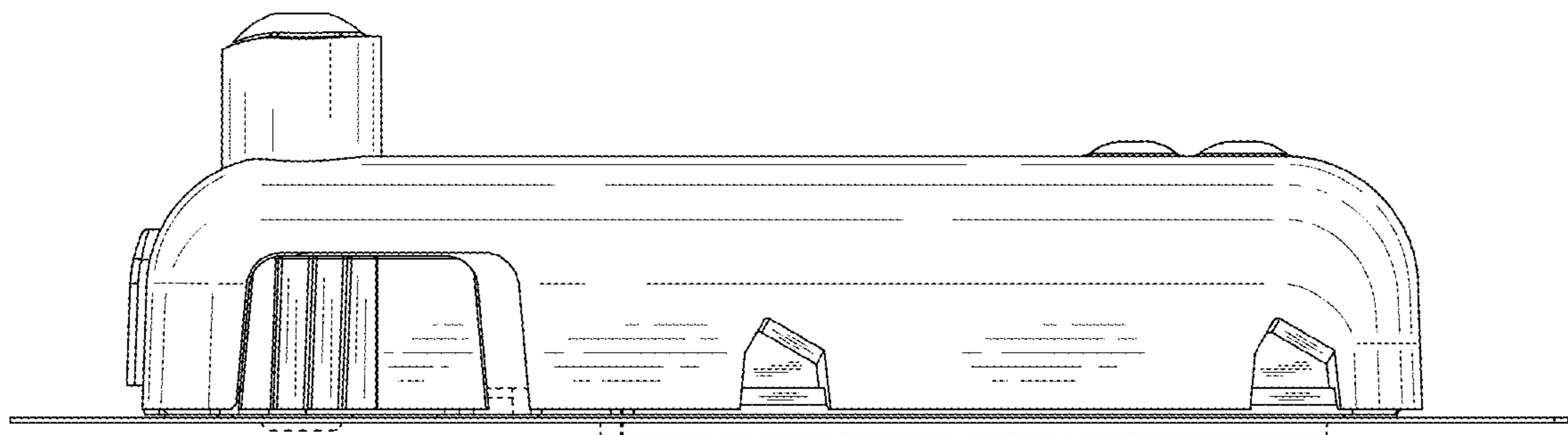


FIG. 5

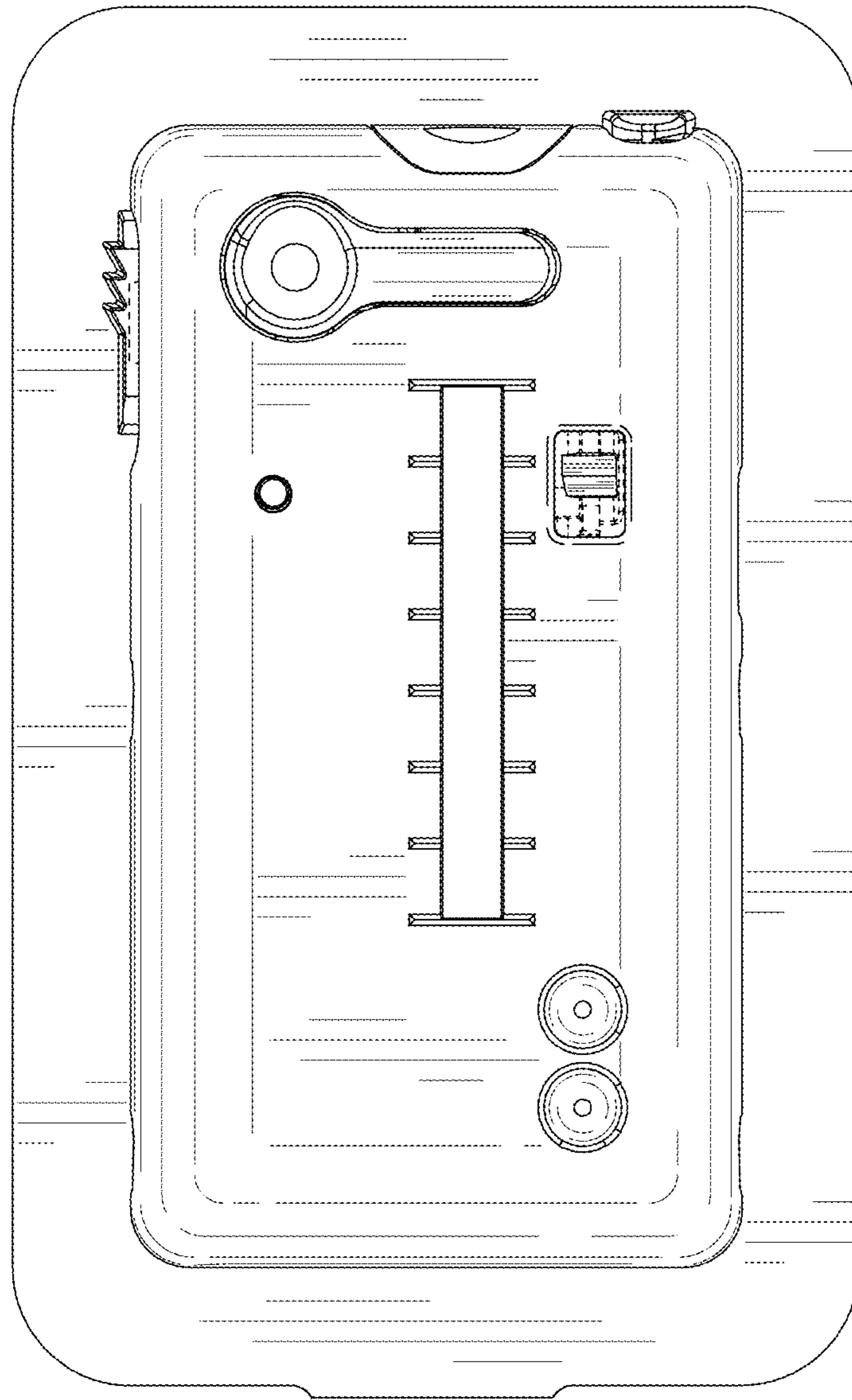


FIG. 6

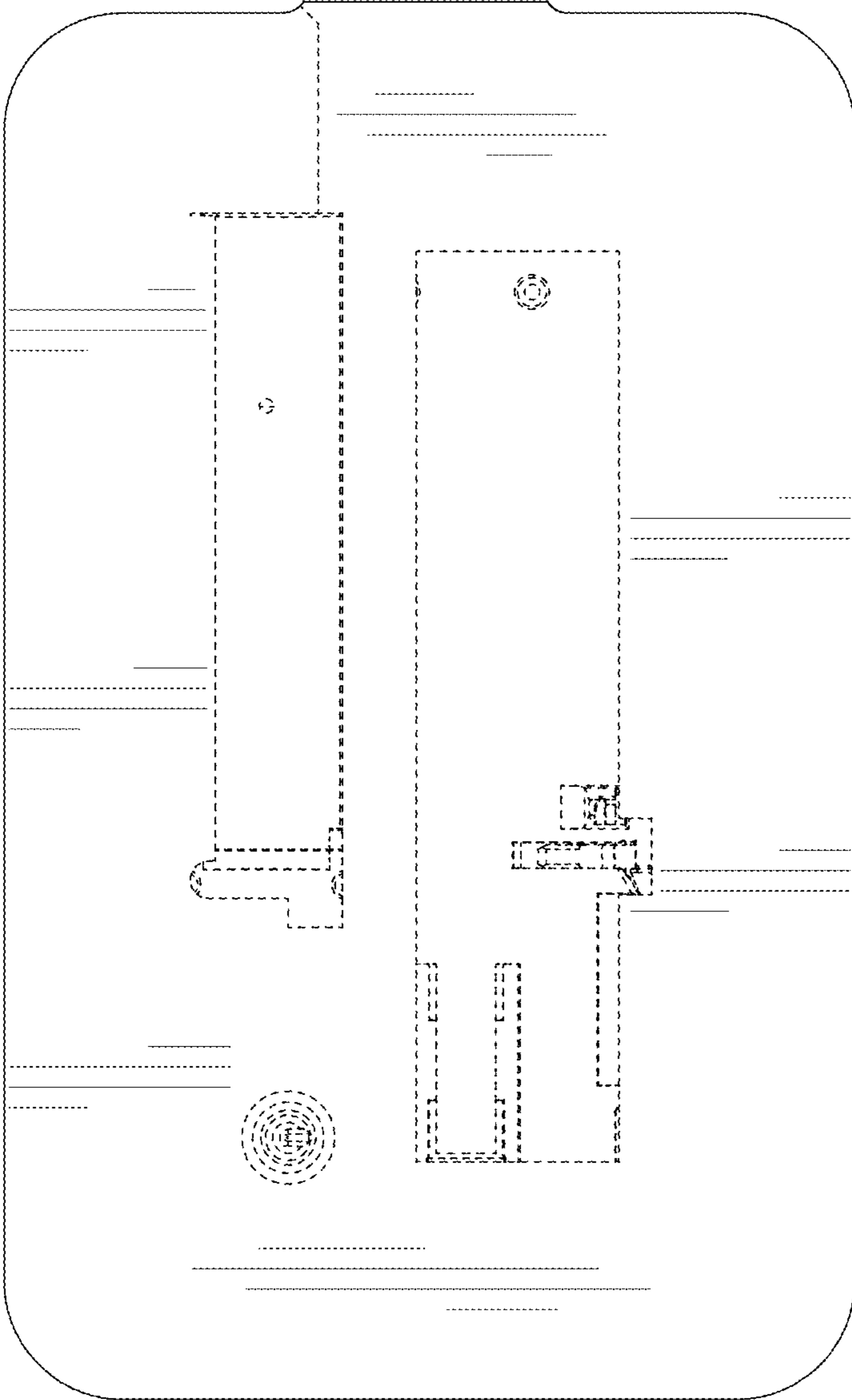


FIG. 7