



US00D935602S

(12) **United States Design Patent**
Eves et al.

(10) **Patent No.:** **US D935,602 S**
(45) **Date of Patent:** **** Nov. 9, 2021**

(54) **CUSHION MODULE FRAME FOR PATIENT INTERFACE**

(71) Applicant: **ResMed Pty Ltd**, Bella Vista (AU)

(72) Inventors: **Matthew Eves**, Sydney (AU); **Lemmy Nga**, Sydney (AU); **Gerard Michael Rummery**, Woodford (AU); **Rupert Christian Scheiner**, Sydney (AU); **Errol Savio Alex D'Souza**, Sydney (AU)

(73) Assignee: **ResMed Pty Ltd**, Bella Vista (AU)

(**) Term: **15 Years**

(21) Appl. No.: **29/750,722**

(22) Filed: **Sep. 16, 2020**

Related U.S. Application Data

(60) Continuation of application No. 29/738,219, filed on Jun. 16, 2020, which is a division of application No. (Continued)

(51) **LOC (13) Cl.** **29-02**

(52) **U.S. Cl.**
USPC **D24/110.4**

(58) **Field of Classification Search**
USPC D24/110–110.6, 127, 129; D29/110 (Continued)

(56) **References Cited**

U.S. PATENT DOCUMENTS

D118,241 S * 12/1939 Lehmborg D24/110.1
D377,089 S * 12/1996 Starr D24/110.1
(Continued)

OTHER PUBLICATIONS

U.S. Appl. No. 29/663,680, filed Sep. 18, 2018 of Matthew Eves et al. for “Patient Interface and/or Components Thereof,” (parent application).

(Continued)

Primary Examiner — Sheryl Lane

Assistant Examiner — Aula Soroush

(74) *Attorney, Agent, or Firm* — Nixon & Vanderhye P.C.

(57) **CLAIM**

The ornamental design for a cushion module frame for patient interface, as shown and described.

DESCRIPTION

FIG. 1 is a front perspective view of a cushion module frame for patient interface showing a first embodiment of our new design, in an exploded configuration within a sample environment;

FIG. 2 is a perspective front view thereof, in an assembled configuration;

FIG. 3 is a front perspective view thereof, showing only the cushion module;

FIG. 4 is a front elevation view thereof;

FIG. 5 is a rear elevation view thereof;

FIG. 6 is a top plan view thereof;

FIG. 7 is a bottom plan view thereof;

FIG. 8 is a left side elevation view thereof;

FIG. 9 is a right side elevation view thereof;

FIG. 10 is a rear perspective view thereof;

FIG. 11 is a front perspective view of a cushion module frame for patient interface showing a second embodiment of our new design, in an exploded configuration within a sample environment;

FIG. 12 is a perspective front view thereof, in an assembled configuration;

FIG. 13 is a front perspective view thereof, showing only the cushion module;

FIG. 14 is a front elevation view thereof;

FIG. 15 is a rear elevation view thereof;

FIG. 16 is a top plan view thereof;

FIG. 17 is a bottom plan view thereof;

FIG. 18 is a left side elevation view thereof;

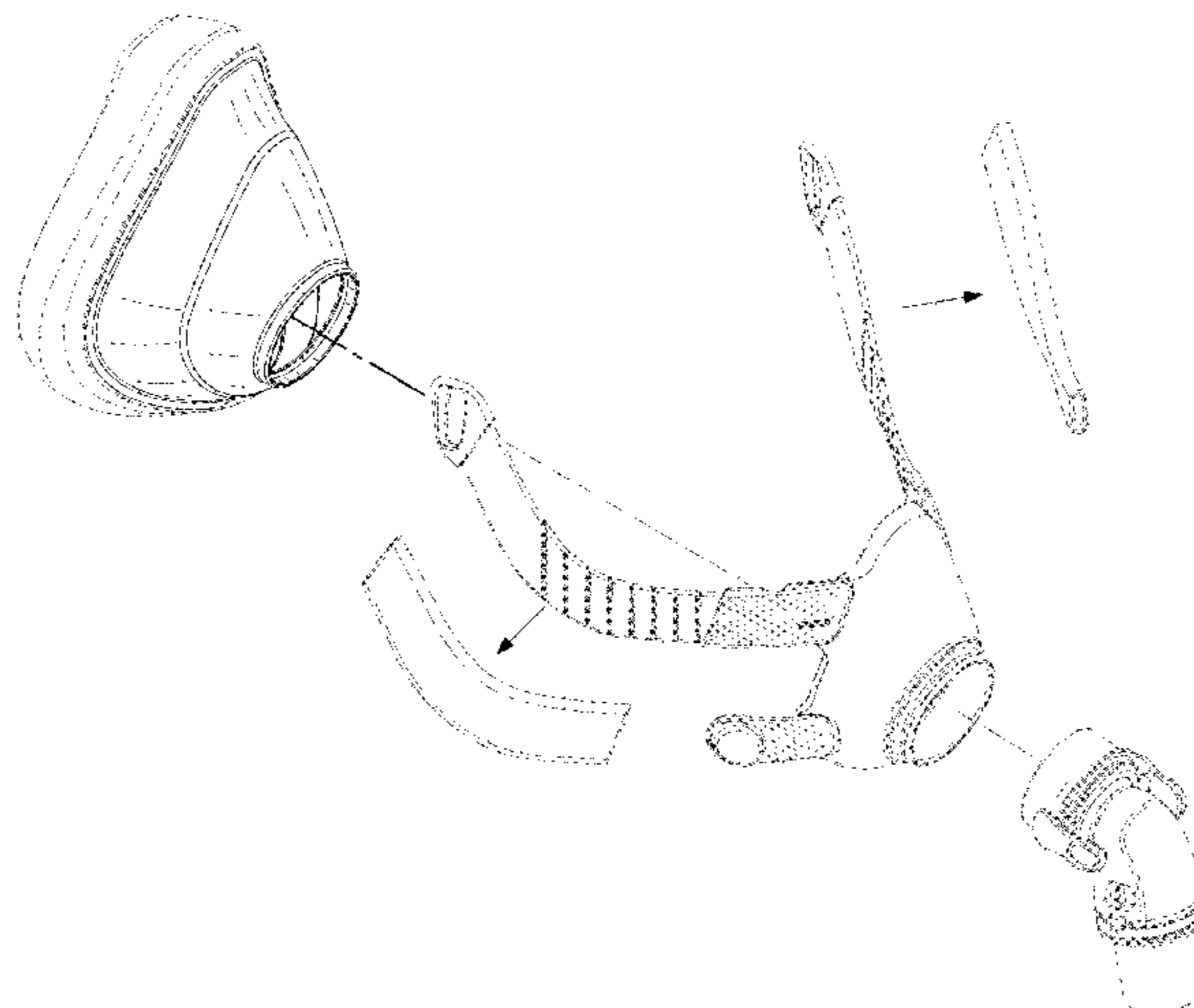
FIG. 19 is a right side elevation view thereof; and,

FIG. 20 is a rear perspective view thereof.

The broken lines show portions of the cushion module frame for patient interface that form no part of the claimed design.

The dotted broken lines in the drawings illustrate the bounds of the claim that form no part of the claimed design.

(Continued)



The dotted lines in the drawings depict the border between the claimed subject matter and form no part of the claimed design.

1 Claim, 14 Drawing Sheets

Related U.S. Application Data

29/663,680, filed on Sep. 18, 2018, now Pat. No. Des. 891,610, which is a division of application No. 29/581,900, filed on Oct. 24, 2016, now Pat. No. Des. 895,105.

(58) **Field of Classification Search**

CPC A61M 16/0616; A61M 16/0633; A61M 16/06; A61M 16/0666; A61M 16/0683; A61M 16/0605; A61M 16/0622; A61M 16/0644; A61M 16/0875; A61M 16/0816; A61M 16/08; B63C 11/205; B63C 11/16; B63C 11/186; B63C 11/12

See application file for complete search history.

(56) **References Cited**

U.S. PATENT DOCUMENTS

5,647,356	A	7/1997	Barnett et al.	
5,647,357	A	7/1997	Barnett et al.	
5,662,101	A	9/1997	Ogden et al.	
5,884,624	A	3/1999	Barnett et al.	
D428,988	S *	8/2000	Smart	D24/110.1
D464,426	S *	10/2002	Palkon	D24/110.1
6,651,663	B2	11/2003	Barnett et al.	
6,729,333	B2	5/2004	Barnett et al.	
D493,885	S	8/2004	Raje	
D494,675	S *	8/2004	Guney	D24/110.1
D507,348	S *	7/2005	Moore	D24/110.1
6,959,710	B2	11/2005	Barnett et al.	
D530,007	S *	10/2006	Guney	D24/110.1
7,210,481	B1	5/2007	Lovell et al.	
D582,545	S *	12/2008	Omura	D24/110.1
D594,111	S *	6/2009	Reid	D24/110.1
D597,201	S *	7/2009	Brambilla	D24/110.1
D614,761	S *	4/2010	Brambilla	D24/110.1
D614,763	S *	4/2010	Maurer	G06K 7/10801 D24/110.1
7,703,457	B2	4/2010	Barnett et al.	
D619,701	S	7/2010	Edwards	
D635,247	S	3/2011	Scheiner et al.	
D665,494	S	8/2012	Stallard	
D679,799	S	4/2013	D'Souza et al.	
D682,419	S *	5/2013	Clarke	D24/110.1
D693,460	S	11/2013	Rothermel	
D693,462	S	11/2013	Rothermel	
D694,875	S	12/2013	D'Souza	
D695,887	S	12/2013	Ozolins	
D700,697	S	3/2014	Ho	
D703,807	S	4/2014	Chu	
D706,412	S *	6/2014	Henry	D24/110
D707,349	S	6/2014	D'Souza	

D717,942	S	11/2014	Neff	
9,119,931	B2	9/2015	D'Souza et al.	
D751,188	S	3/2016	Skipper	
RE45,985	E	4/2016	McAuley	
D754,328	S	4/2016	Bowsher	
D760,379	S	6/2016	Smith et al.	
D767,755	S	9/2016	D'Souza	
D769,440	S	10/2016	Amarasinghe	
D771,238	S *	11/2016	Scheiner	D24/110.1
D794,772	S *	8/2017	Cullen	D24/110.4
9,757,533	B2	9/2017	Ng et al.	
D809,131	S	1/2018	Law	
D835,776	S *	12/2018	Veliss	D24/110.1
10,166,354	B2 *	1/2019	Eifler	A61M 16/06
D843,560	S	3/2019	D'Souza	
D851,750	S *	6/2019	Collazo	D24/110.1
D863,544	S *	10/2019	Collazo	D24/110.2
D873,992	S *	1/2020	Cullen	D24/110.4
D884,152	S	5/2020	Law et al.	
D891,610	S	7/2020	Eves et al.	
D895,105	S	9/2020	Eves et al.	
2005/0011521	A1 *	1/2005	Sprinkle	A61M 16/0683 128/206.21
2005/0172969	A1	8/2005	Ging	
2006/0042629	A1	3/2006	Geist	
2007/0277828	A1	12/2007	Ho	
2008/0047561	A1	2/2008	Fu	
2008/0066757	A1	3/2008	Stallard	
2008/0257354	A1	10/2008	Davidson	
2008/0314390	A1	12/2008	Kwok	
2010/0051034	A1	3/2010	Howard	
2011/0146684	A1	6/2011	Wells	
2012/0204879	A1	8/2012	Cariola	
2012/0204881	A1	8/2012	Davidson	
2012/0222680	A1	9/2012	Eves	
2013/0324788	A1	12/2013	Holley	
2013/0327336	A1	12/2013	Burnham	
2014/0026888	A1	1/2014	Matula, Jr.	
2014/0083429	A1	3/2014	Rothermel	
2014/0150800	A1	6/2014	Zeijlstra	
2014/0216462	A1	8/2014	Law	
2014/0261427	A1	9/2014	Foote	
2014/0261435	A1	9/2014	Rothermel	
2014/0290663	A1	10/2014	Rothermel	
2014/0311496	A1	10/2014	Rothermel	
2015/0000671	A1	1/2015	Frerichs	
2016/0082214	A1	3/2016	Barlow et al.	
2016/0325067	A1	11/2016	Harwood	
2017/0368288	A1	12/2017	Stephens	
2017/0368289	A1	12/2017	Baiko	
2018/0021536	A1	1/2018	Ng	

OTHER PUBLICATIONS

U.S. Appl. No. 29/581,900, filed Oct. 24, 2016 of Matthew Eves et al. for "Patient Interface and/or Components Thereof," (parent application).
 U.S. Appl. No. 29/739,219, filed Jun. 16, 2020 of Matthew Eves et al. for "Patient Interface and/or Components Thereof," (parent application).
 U.S. Appl. No. 62/969,747, filed Feb. 4, 2020 of Tumul Gupta et al., entitled "Plenum Chamber Insert for Patient Interface," 301 pages.

* cited by examiner

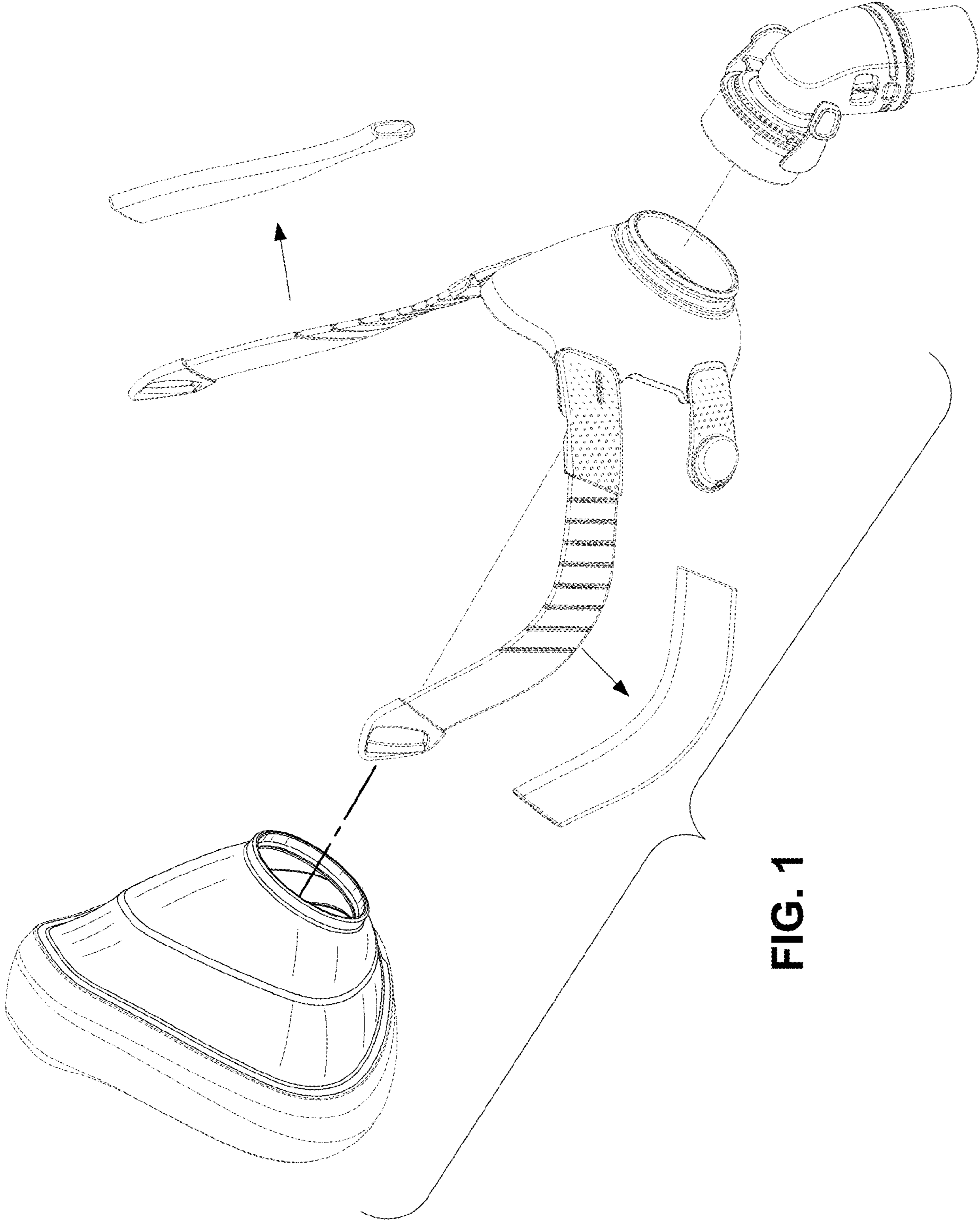


FIG. 1

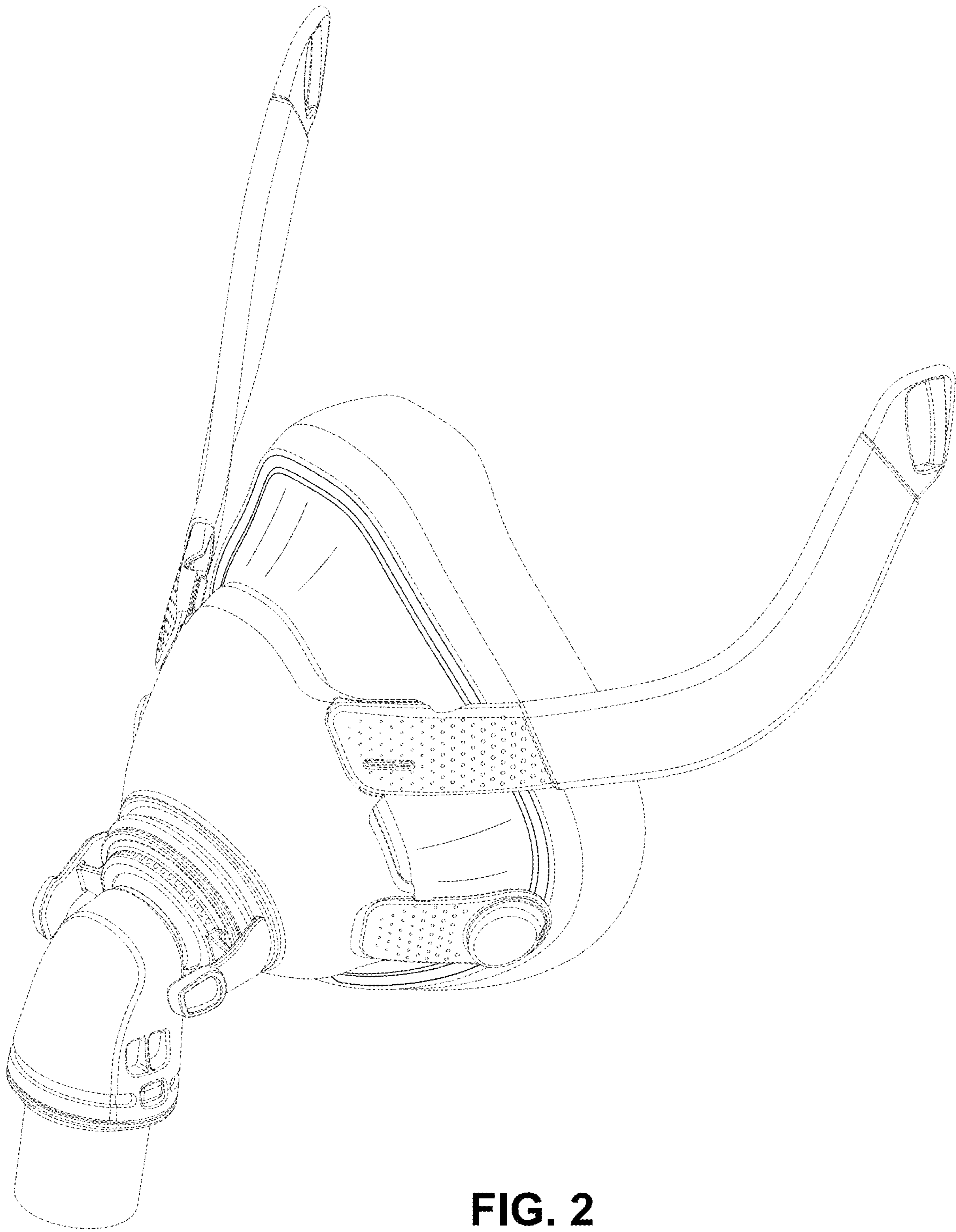


FIG. 2

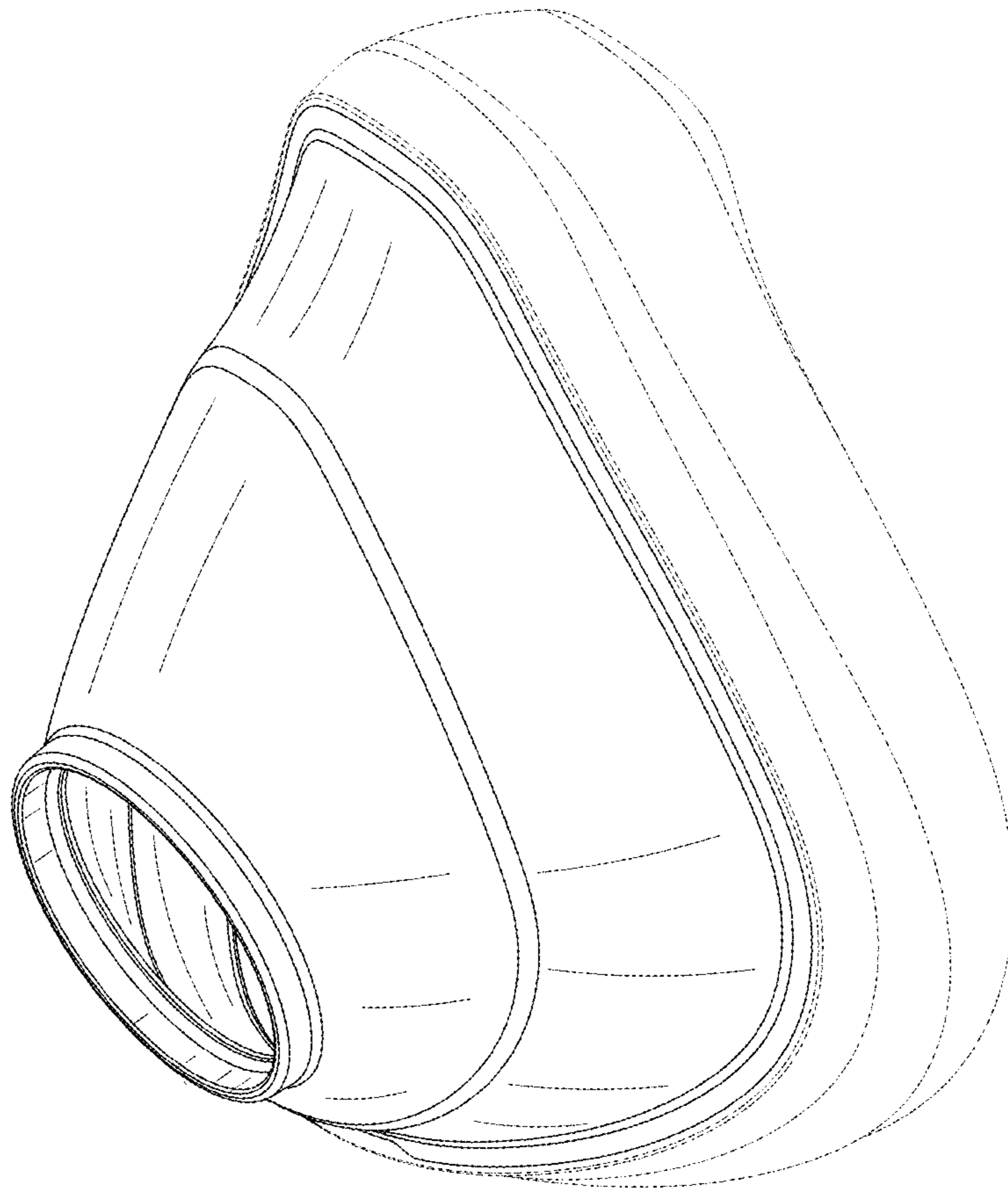


FIG. 3

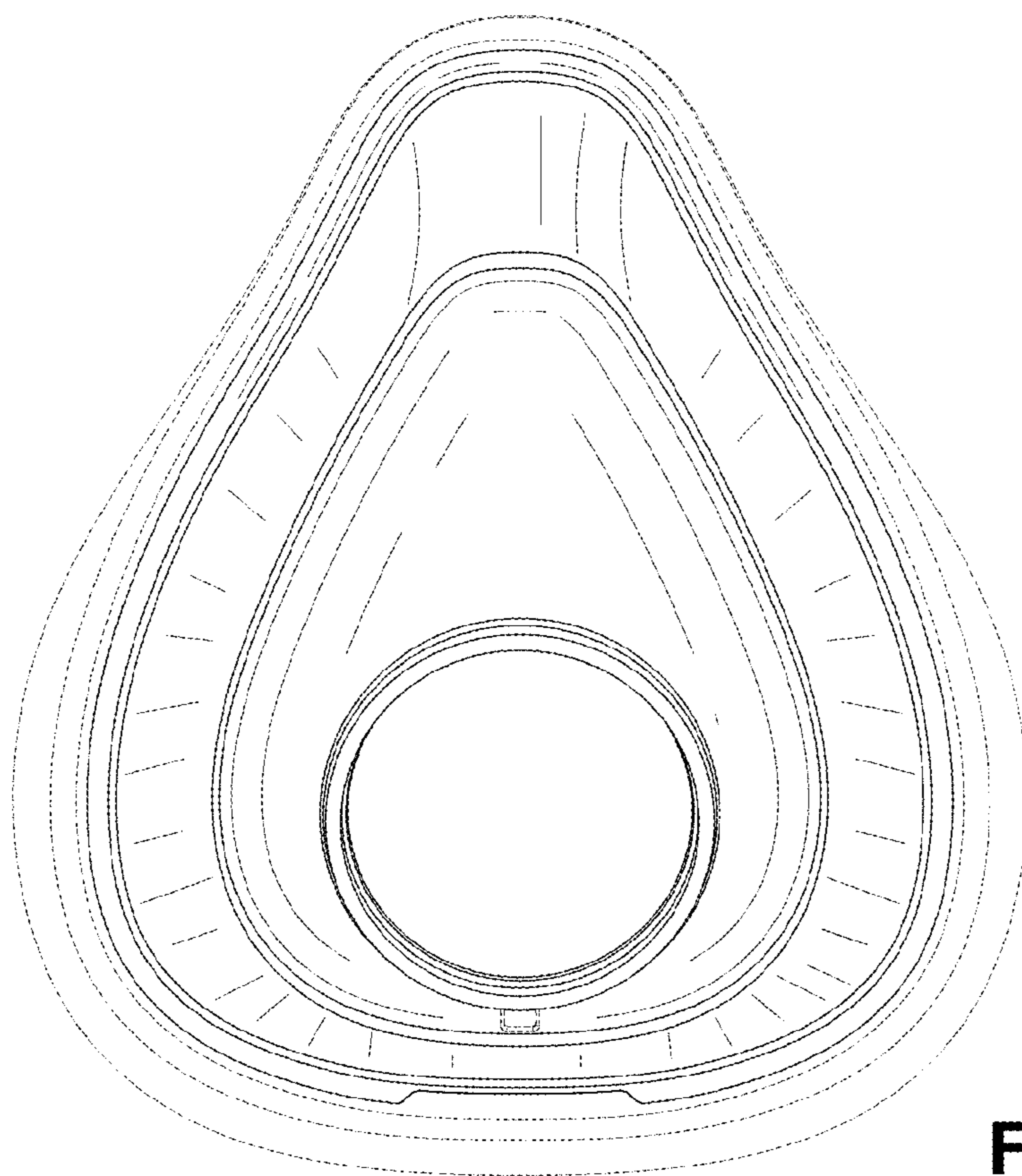


FIG. 4

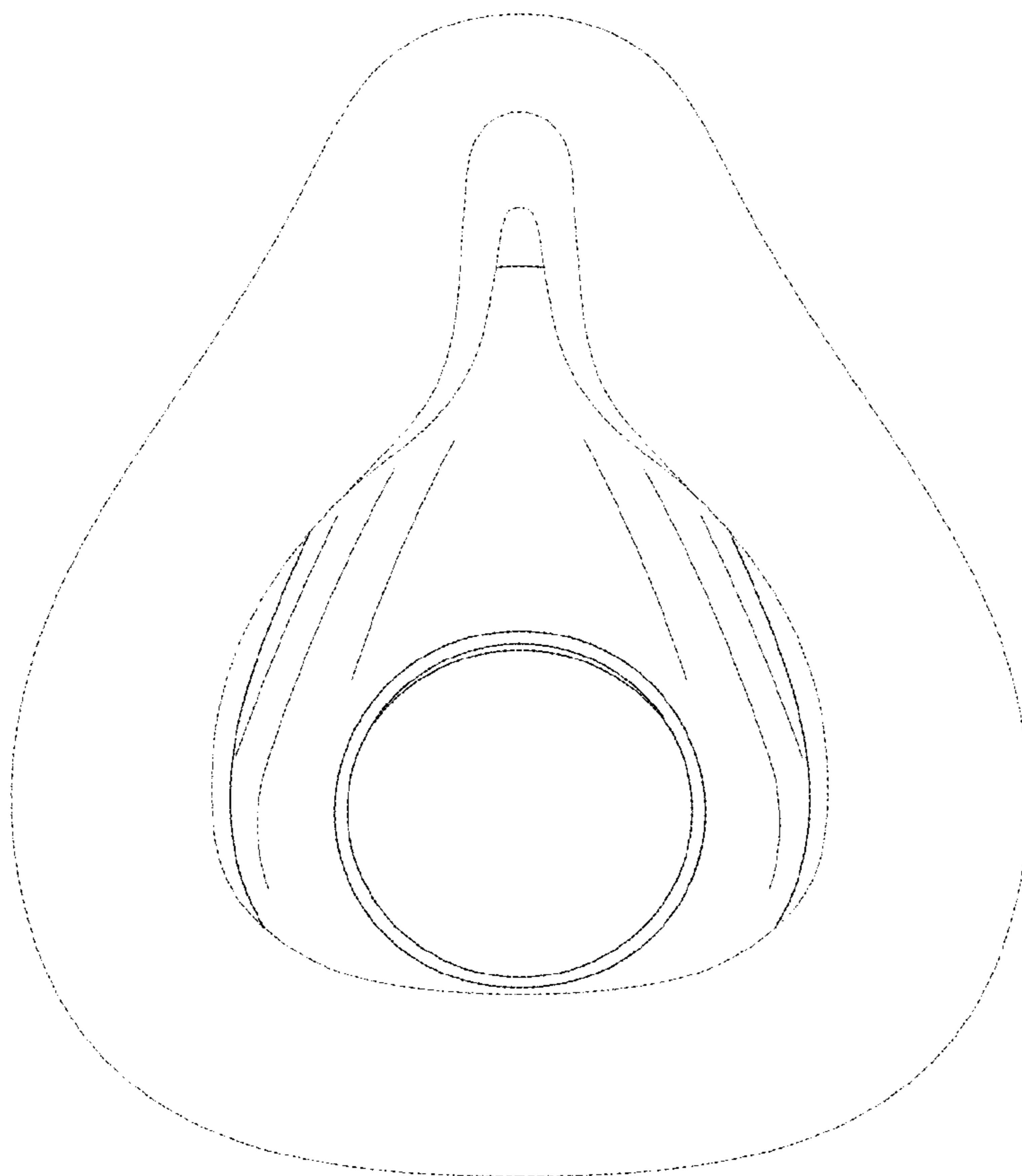


FIG. 5

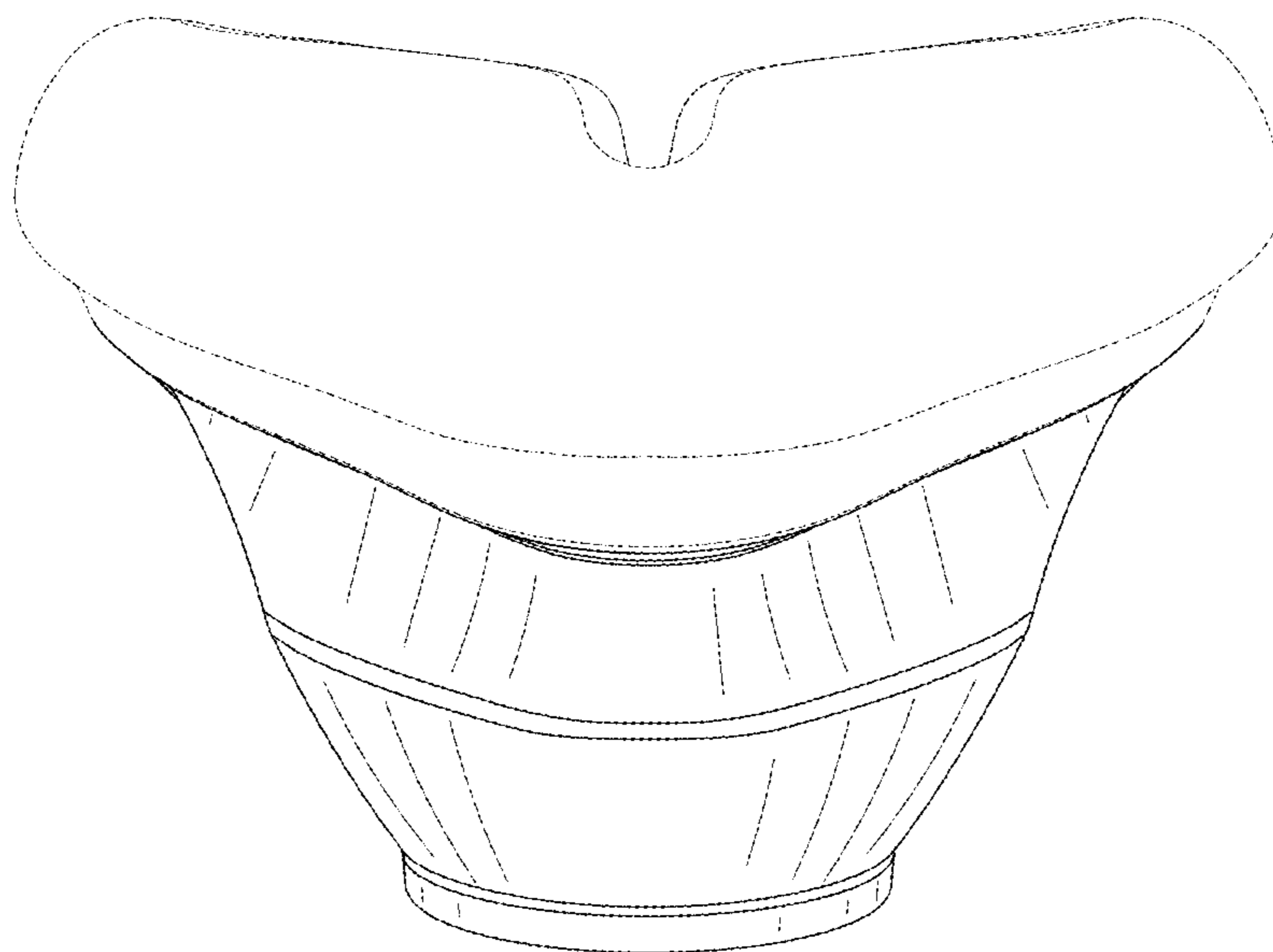


FIG. 6

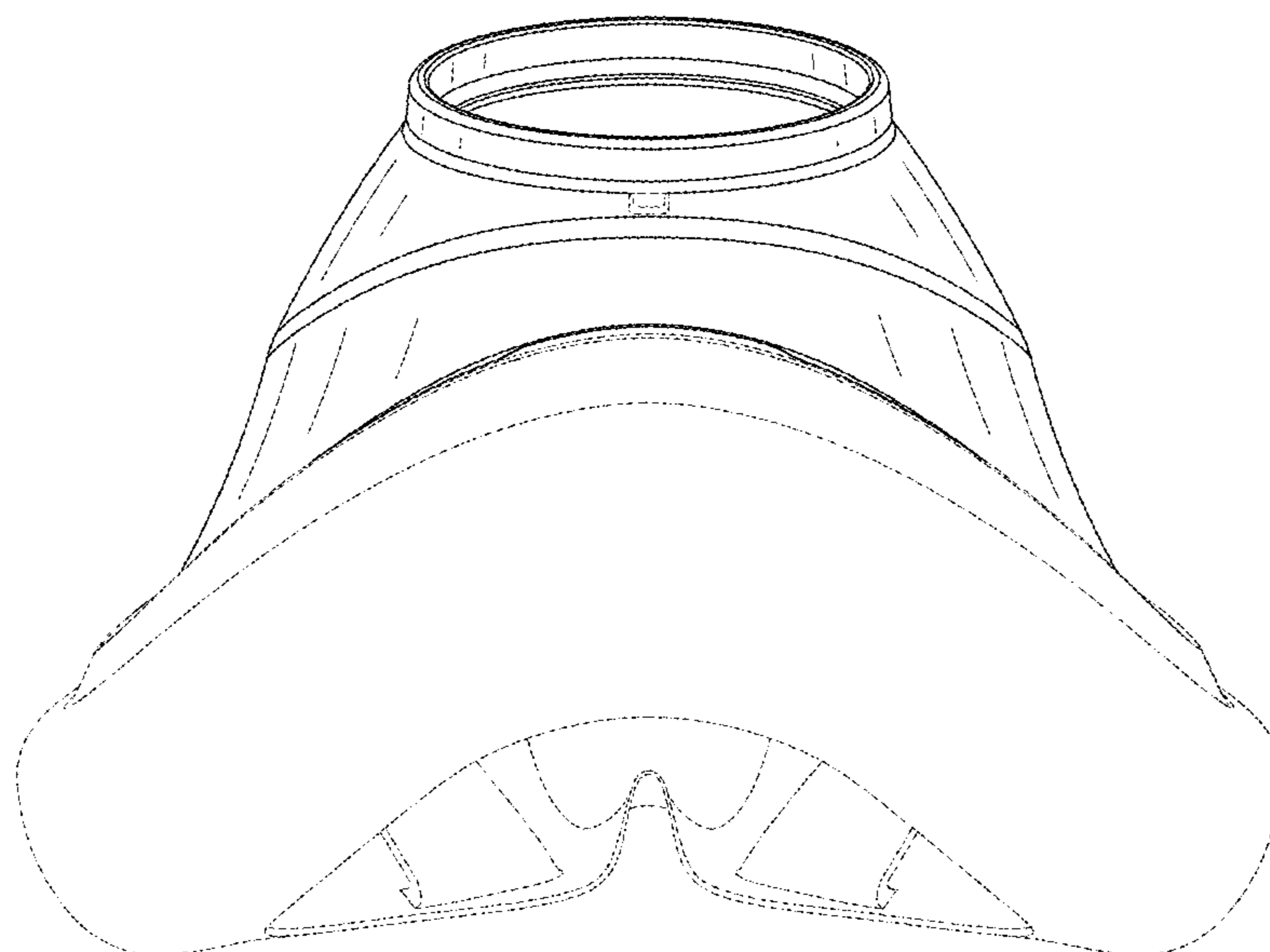


FIG. 7

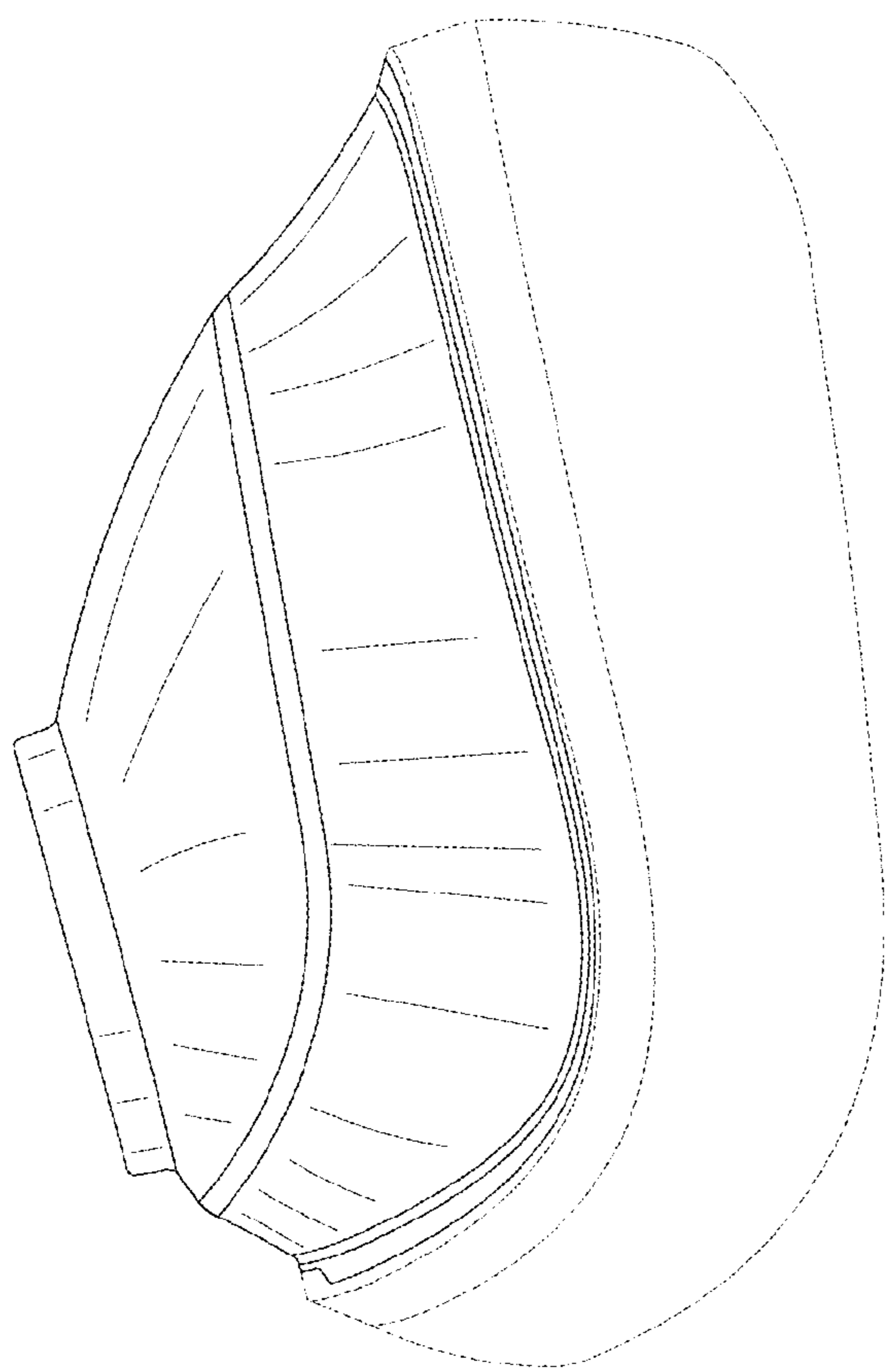


FIG. 8

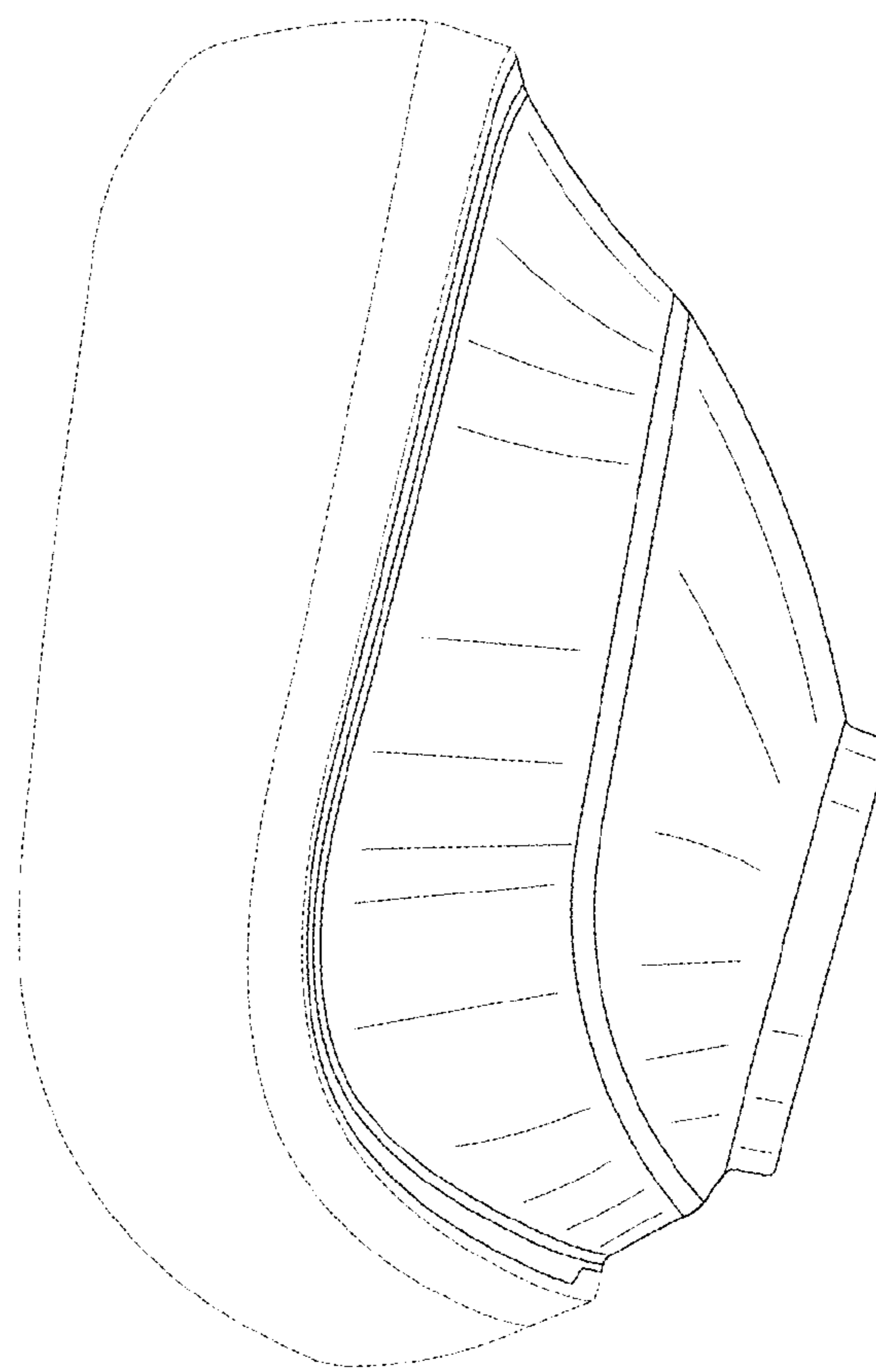


FIG. 9

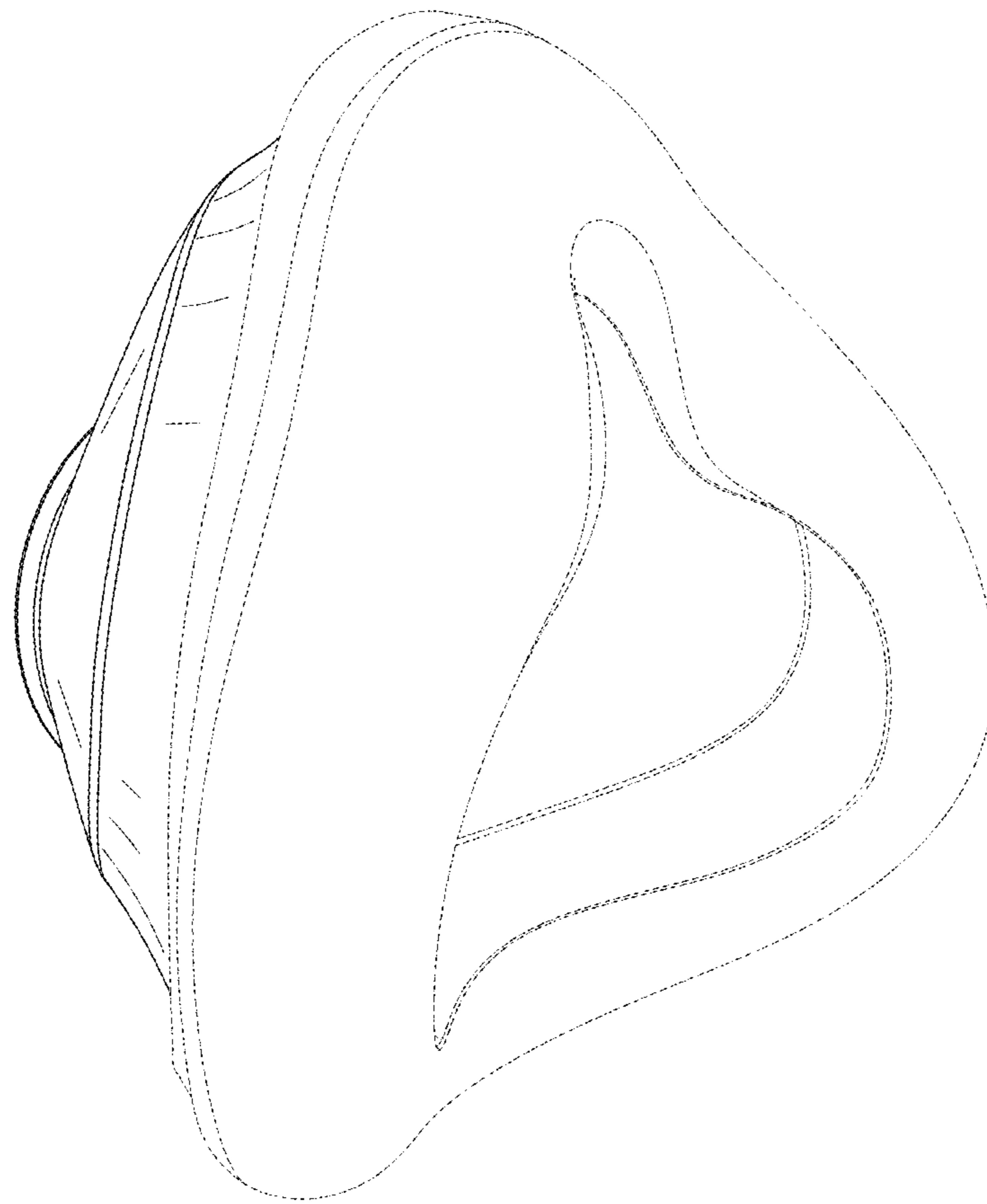


FIG. 10

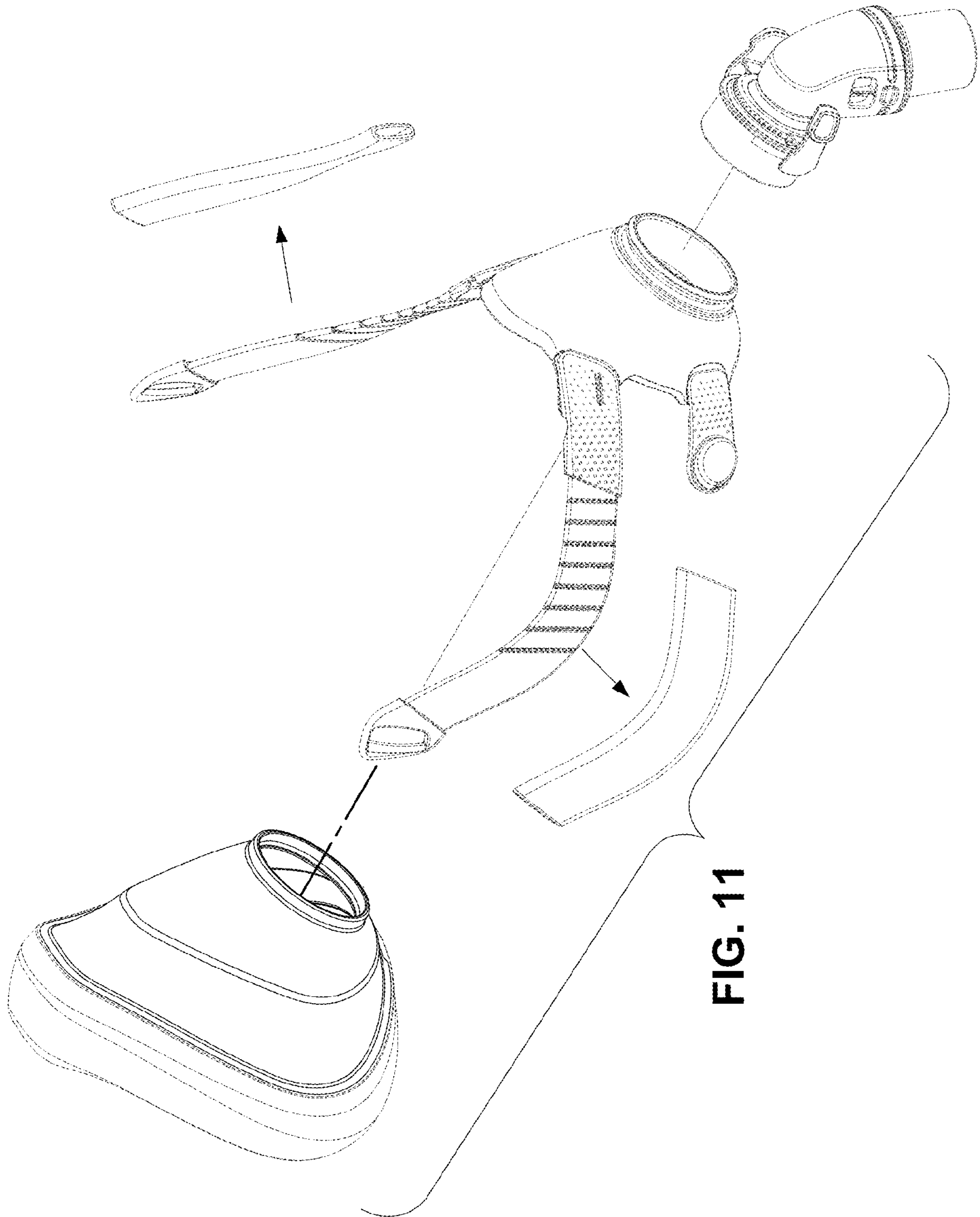


FIG. 11

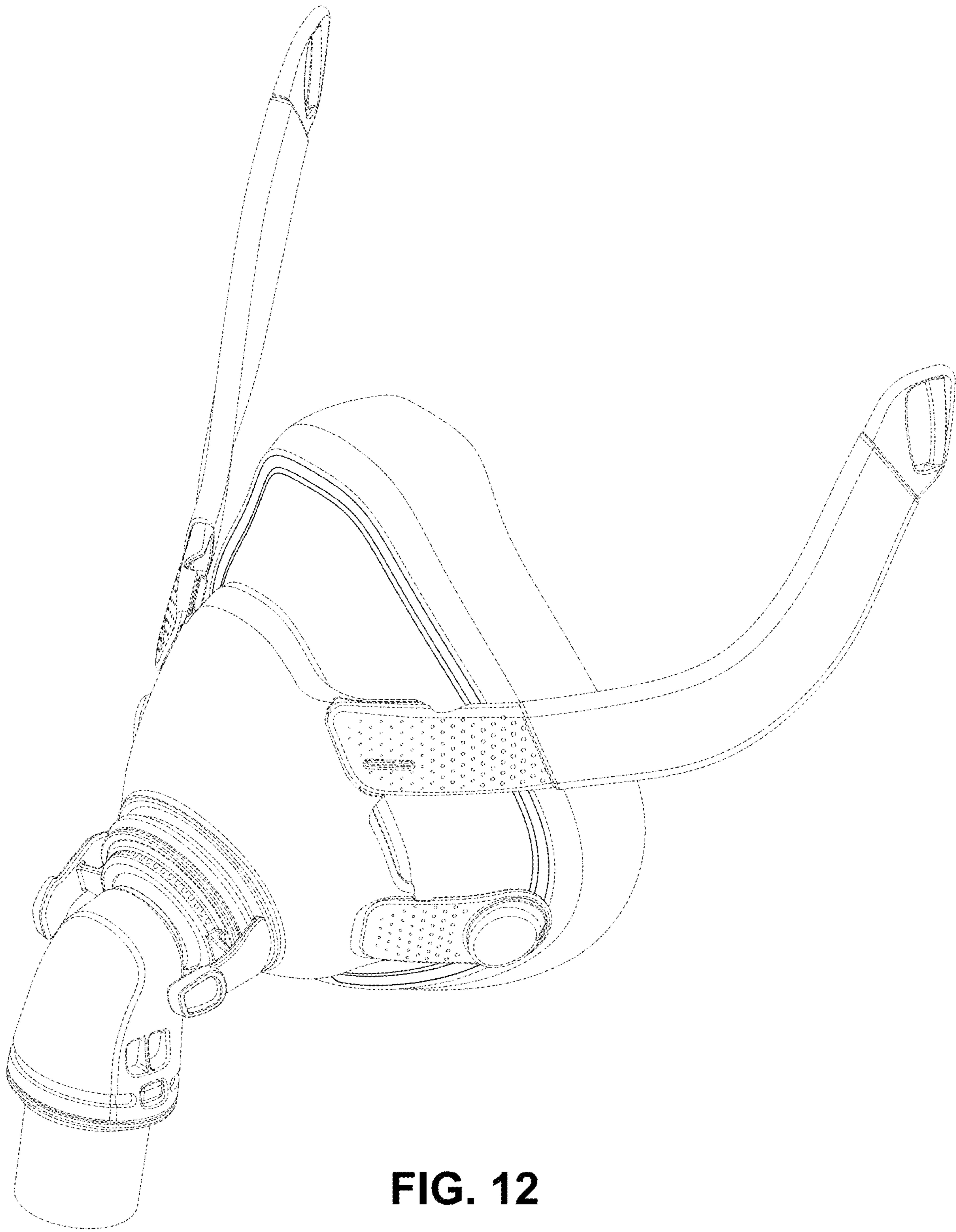


FIG. 12

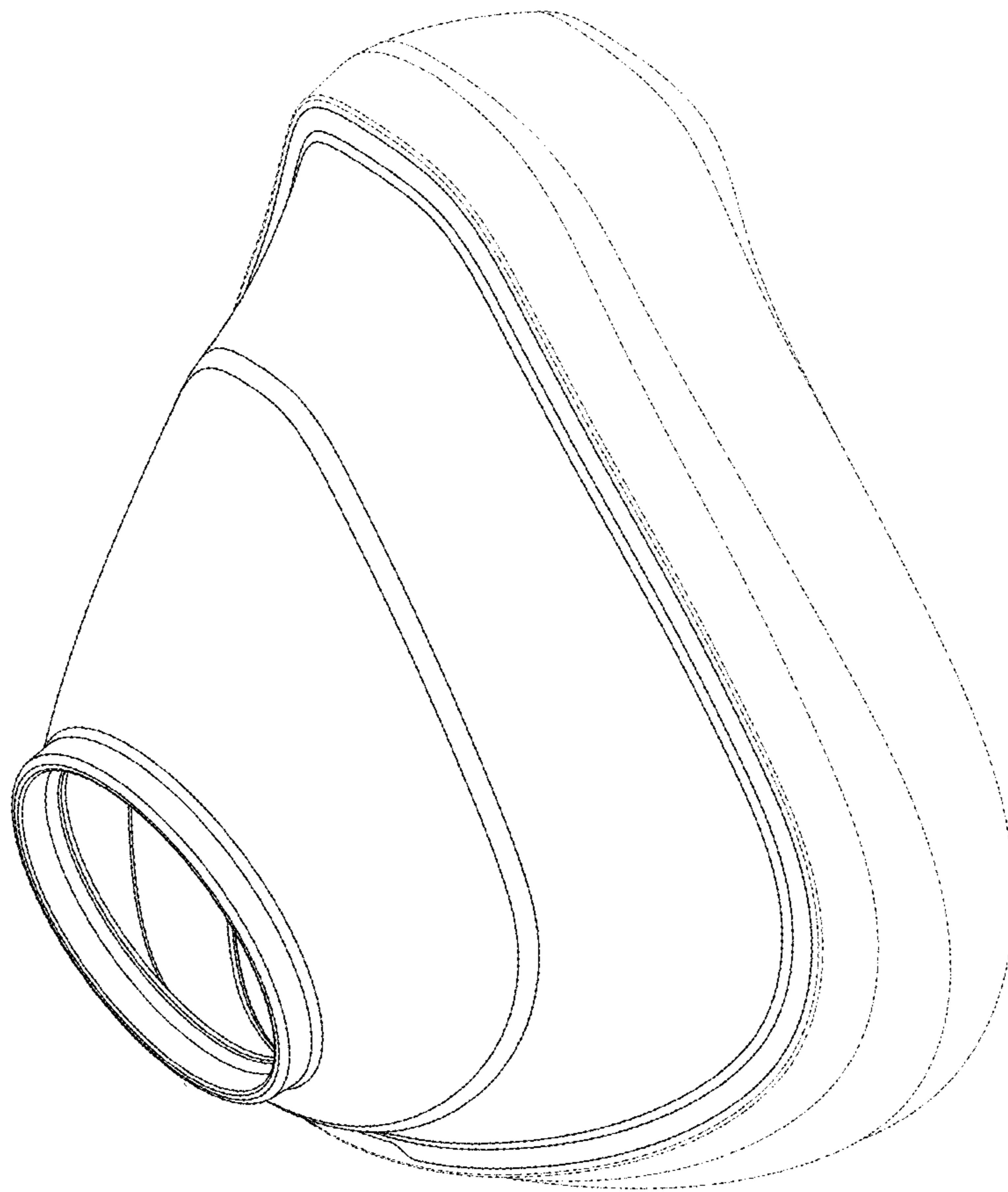


FIG. 13

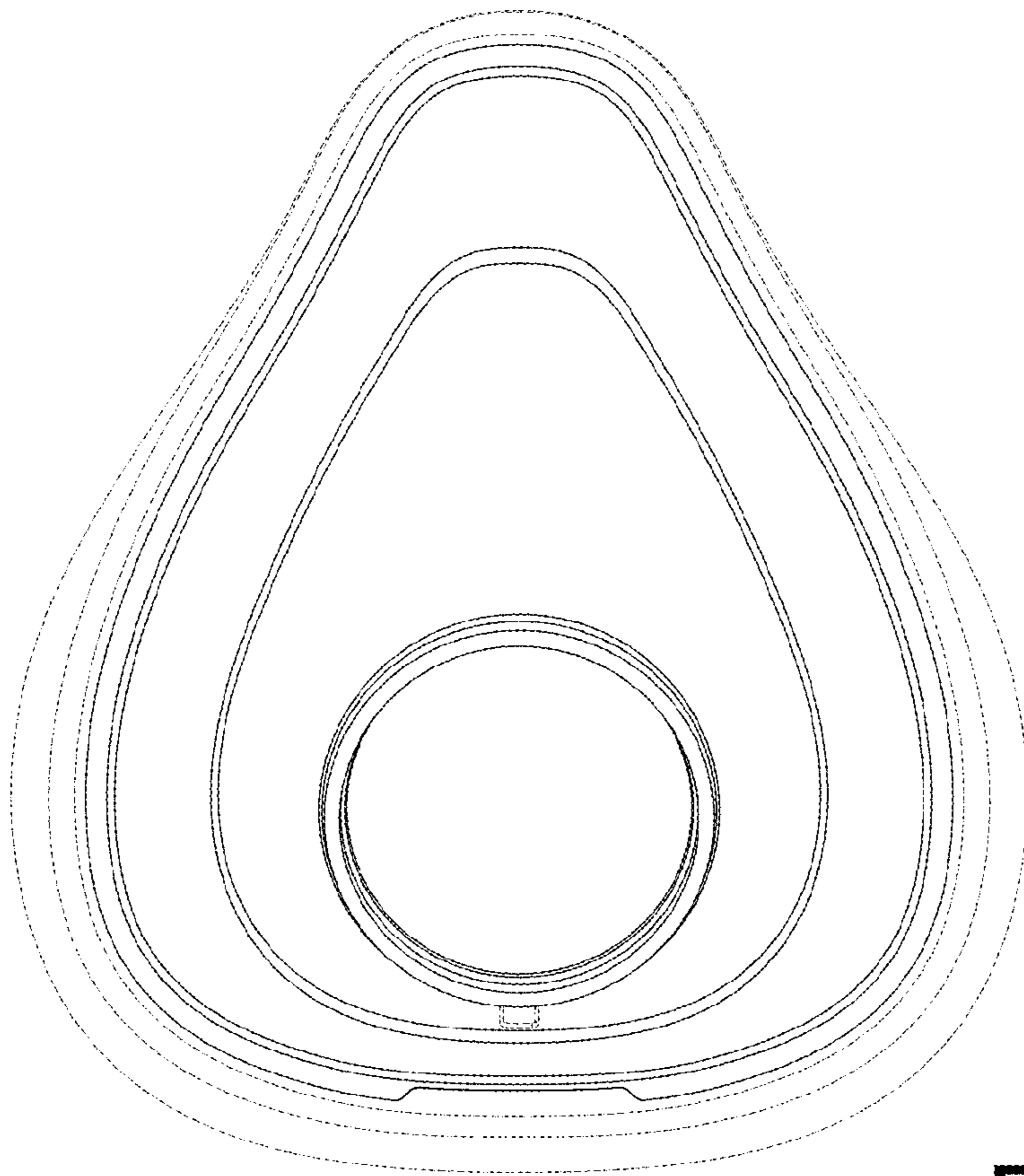


FIG. 14

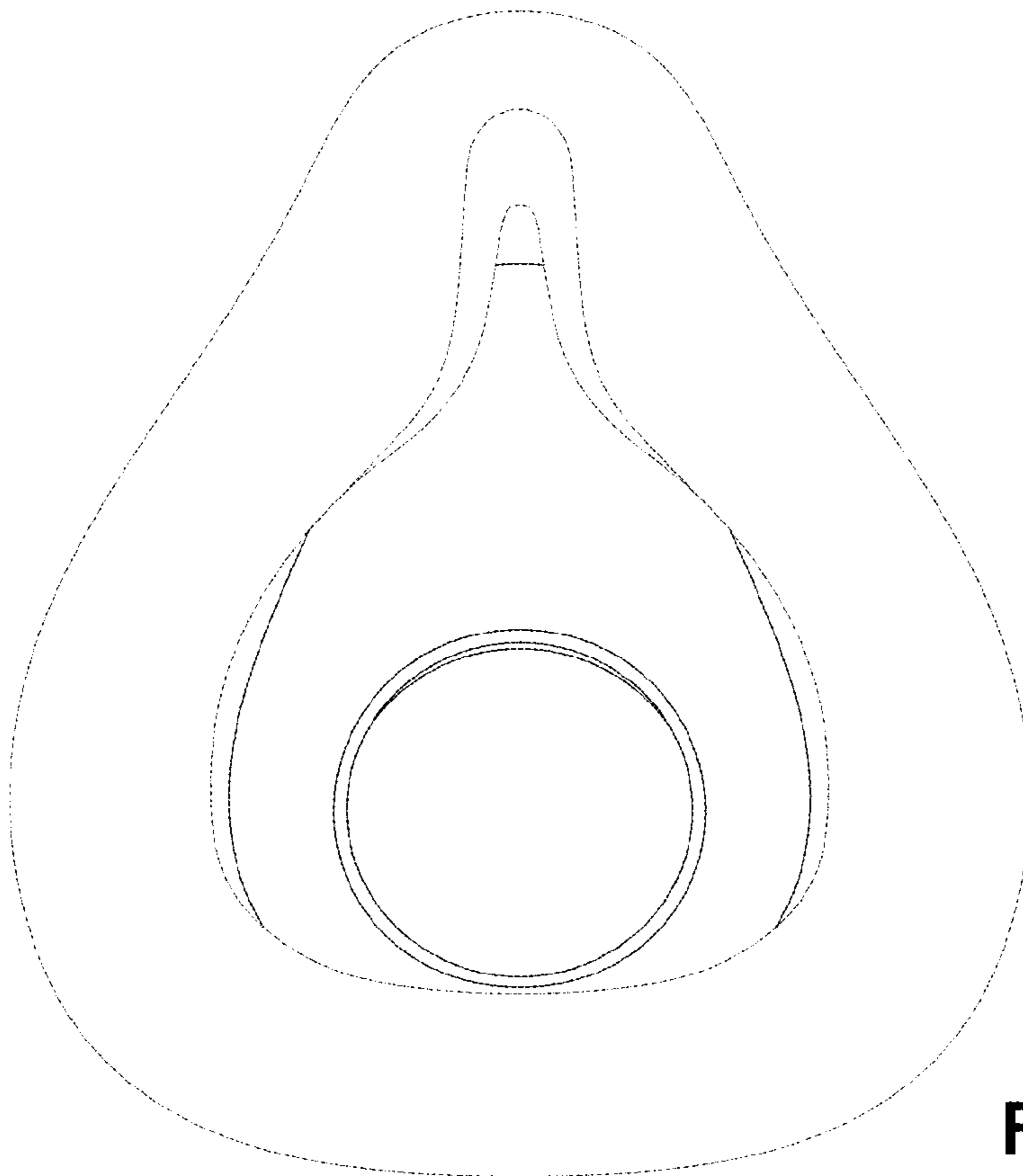


FIG. 15

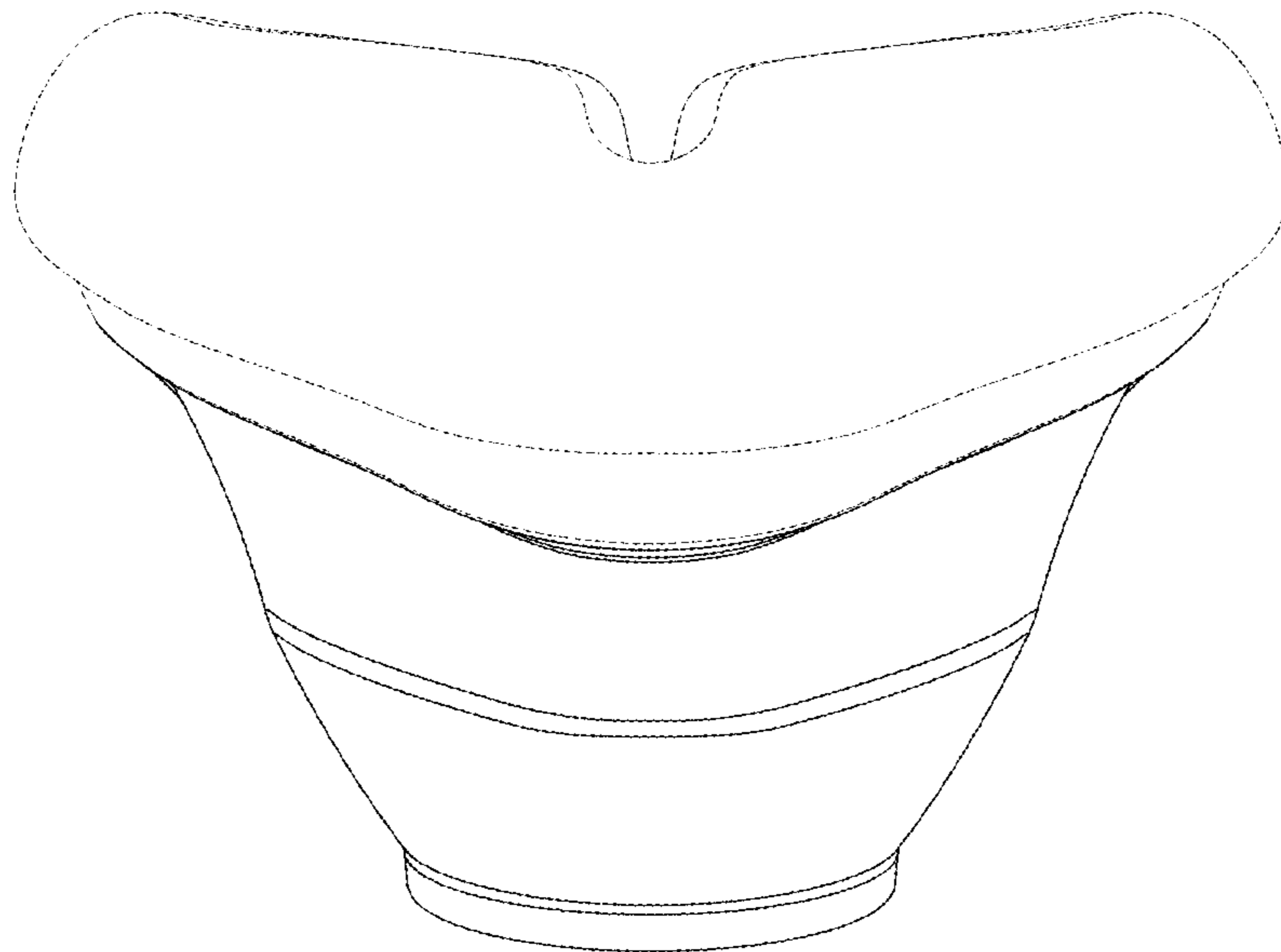


FIG. 16

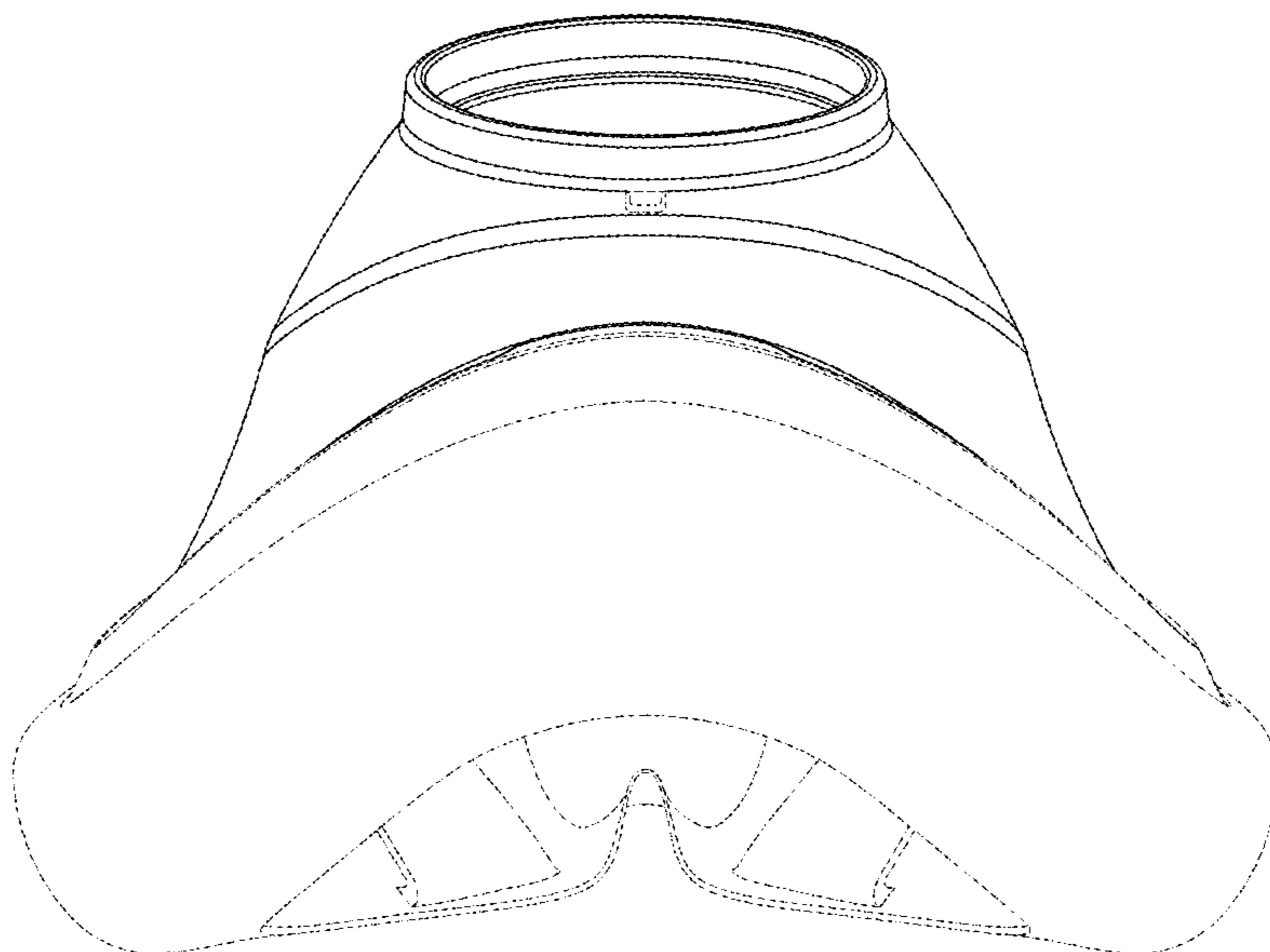


FIG. 17

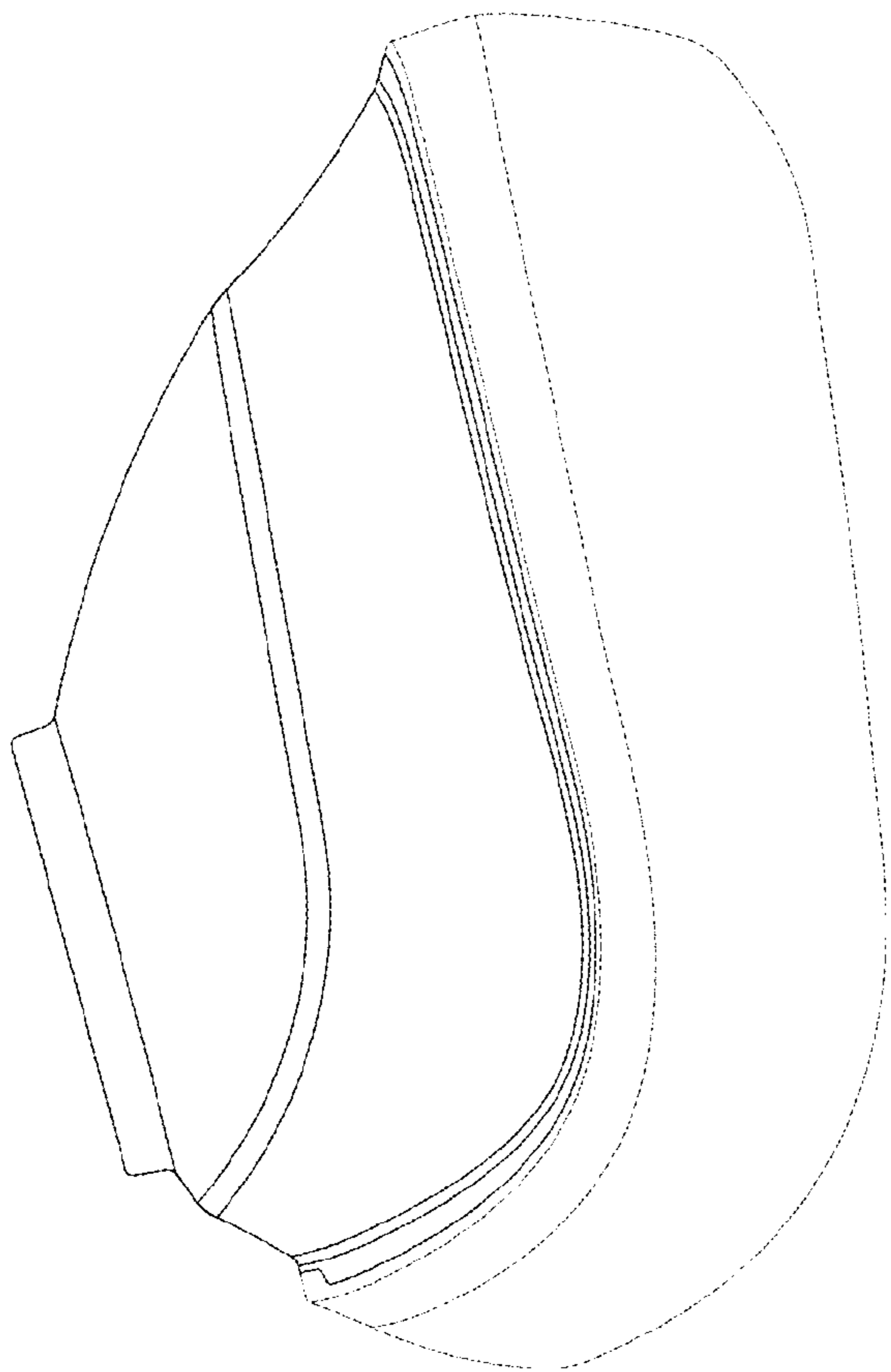


FIG. 18

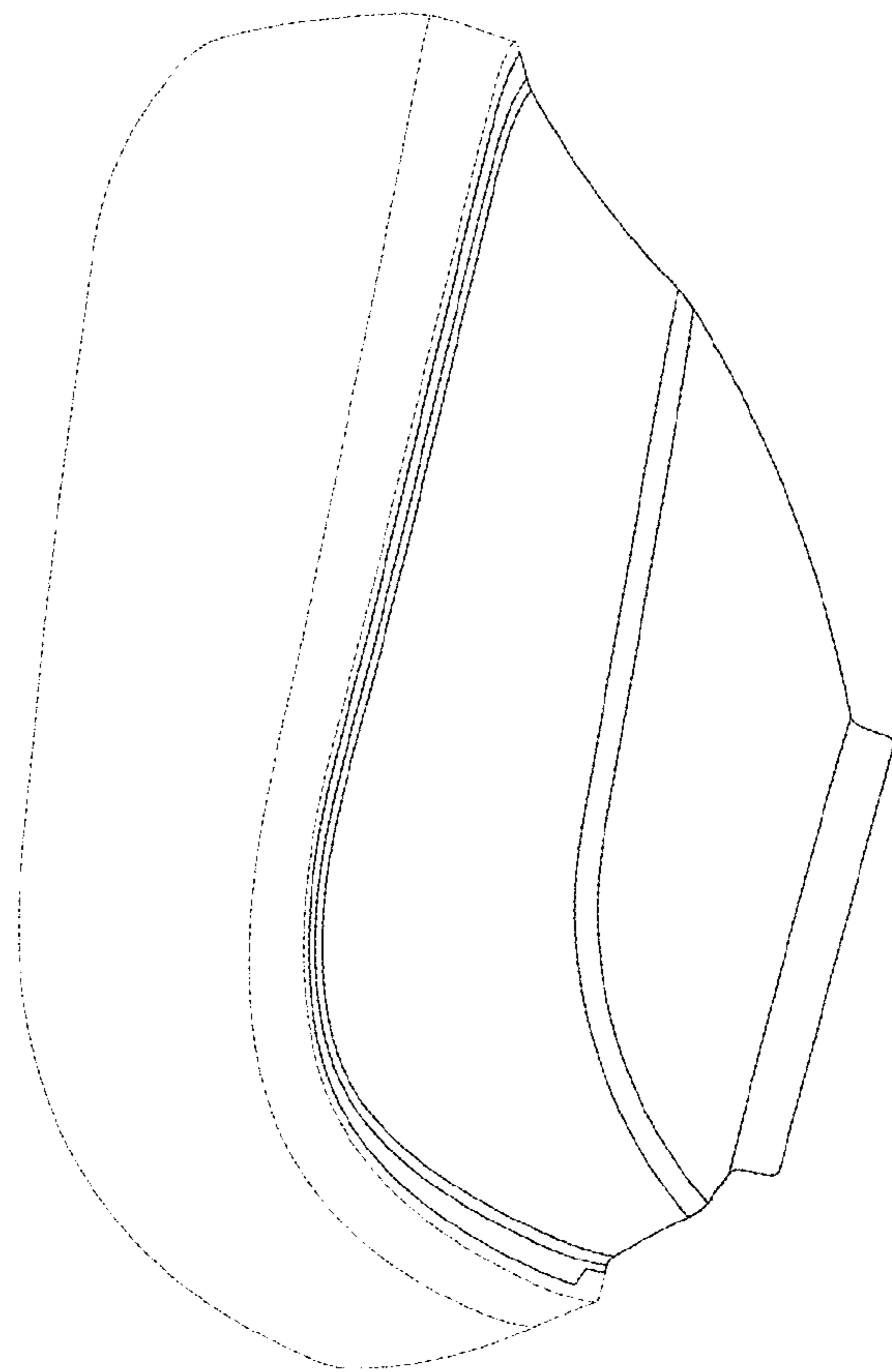


FIG. 19



FIG. 20