



US00D935600S

(12) **United States Design Patent** (10) **Patent No.:** **US D935,600 S**
Rusin (45) **Date of Patent:** **** Nov. 9, 2021**

(54) **MASK FILTER**

(71) Applicant: **Cliff R. Rusin**, Newport Beach, CA (US)

(72) Inventor: **Cliff R. Rusin**, Newport Beach, CA (US)

(**) Term: **15 Years**

(21) Appl. No.: **29/772,653**

(22) Filed: **Mar. 3, 2021**

(51) **LOC (13) Cl.** **29-02**

(52) **U.S. Cl.**
USPC **D24/110.1**; D24/162; D24/110

(58) **Field of Classification Search**
USPC D24/110, 110.1–110.4, 162; D29/102, D29/105–108, 110
CPC . A41D 13/11; A41D 13/1107; A41D 13/1115; A41D 13/113; A41D 13/1161; A41D 2400/52; A62B 23/025; A62B 18/025
See application file for complete search history.

(56) **References Cited**

U.S. PATENT DOCUMENTS

D249,279 S *	9/1978	Backlund	D23/233
4,469,097 A *	9/1984	Kelman	A62B 7/02
				128/205.22
D310,585 S *	9/1990	Newcomb	D24/110
D413,166 S *	8/1999	Snow	D24/110.6
D414,861 S *	10/1999	Metzger	D24/110
D465,568 S *	11/2002	Petherbridge	D24/110
D605,752 S *	12/2009	Polidoro	D24/110
D684,256 S *	6/2013	Menezes	D24/110
D744,654 S *	12/2015	Gerson	D24/162
D757,248 S *	5/2016	Fleming	D24/110.1
D760,380 S *	6/2016	Tang	D24/110.6
D773,035 S *	11/2016	Neuner	D24/110

(Continued)

OTHER PUBLICATIONS

“Filterus” posted by Filterus. Youtube. Posting Date: Apr. 29, 2021. Retrieval date: Jul. 13, 2021. Retrieved from internet: <https://www.youtube.com/watch?v=oyOkjPI5r5E> (Year: 2021).*

(Continued)

Primary Examiner — Lilyana Bekic

Assistant Examiner — Lee D. Starr

(74) *Attorney, Agent, or Firm* — Stetina Brunda Garred and Brucker

(57) **CLAIM**

The ornamental design for a mask filter, as shown and described.

DESCRIPTION

FIG. 1 is a top perspective view of a mask filter in an open configuration;

FIG. 2 is a bottom perspective view of the mask filter of FIG. 1;

FIG. 3 is a top view of the mask filter of FIG. 1;

FIG. 4 is a right side view of the mask filter of FIG. 1;

FIG. 5 is a bottom view of the mask filter of FIG. 1;

FIG. 6 is a left side view of the mask filter of FIG. 1;

FIG. 7 is a front view of the mask filter of FIG. 1;

FIG. 8 is a back view of the mask filter of FIG. 1;

FIG. 9 is a top perspective view of the mask filter in a closed configuration;

FIG. 10 is a bottom perspective view of the mask filter of FIG. 9;

FIG. 11 is a top view of the mask filter of FIG. 9;

FIG. 12 is a right side view of the mask filter of FIG. 9;

FIG. 13 is a bottom view of the mask filter of FIG. 9;

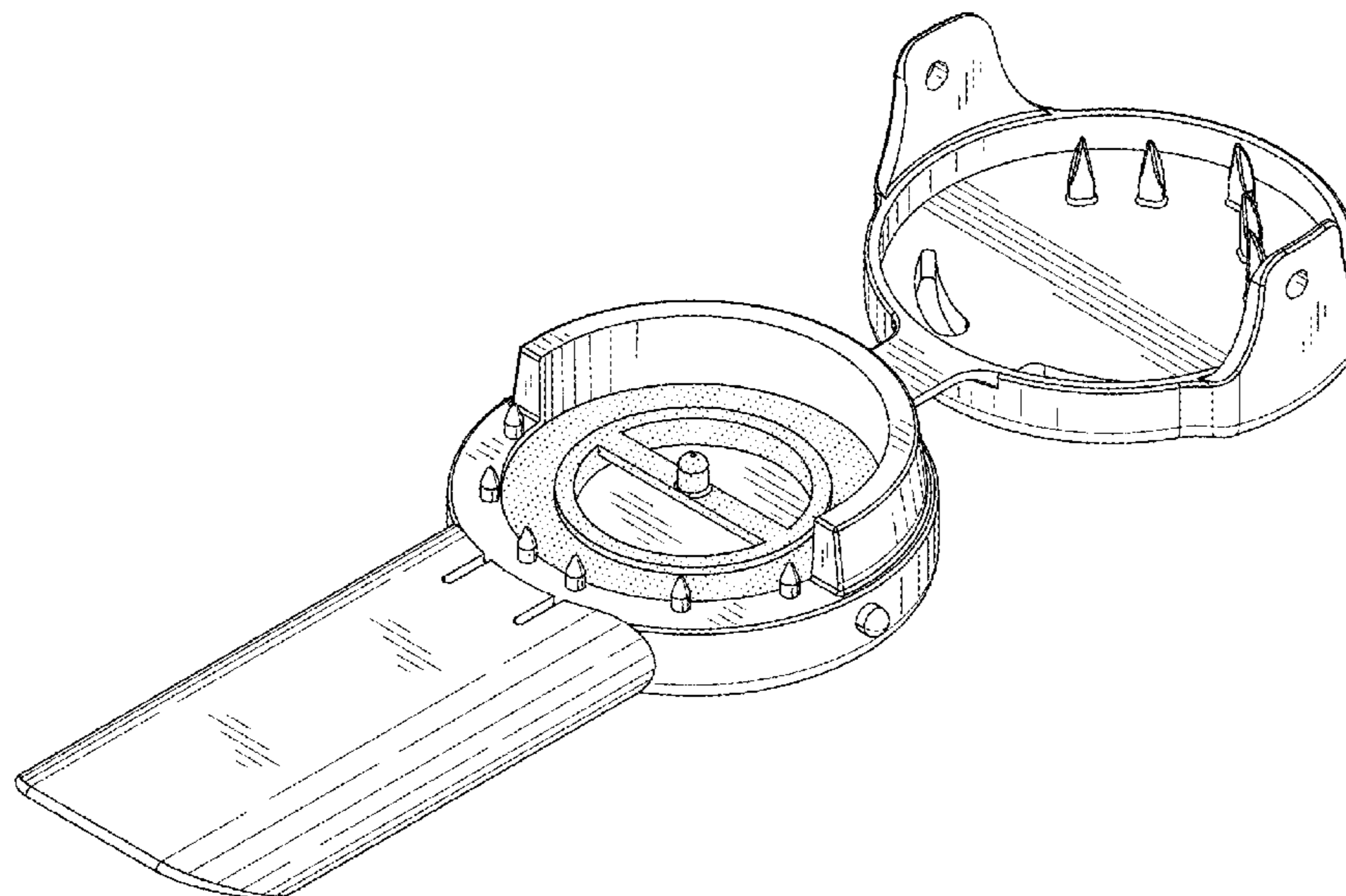
FIG. 14 is a left side view of the mask filter of FIG. 9;

FIG. 15 is a front view of the mask filter of FIG. 9; and,

FIG. 16 is a back view of the mask filter of FIG. 9.

The broken lines in the drawings depict portions of the mask filter that form no part of the claimed design.

1 Claim, 6 Drawing Sheets



(56)

References Cited

U.S. PATENT DOCUMENTS

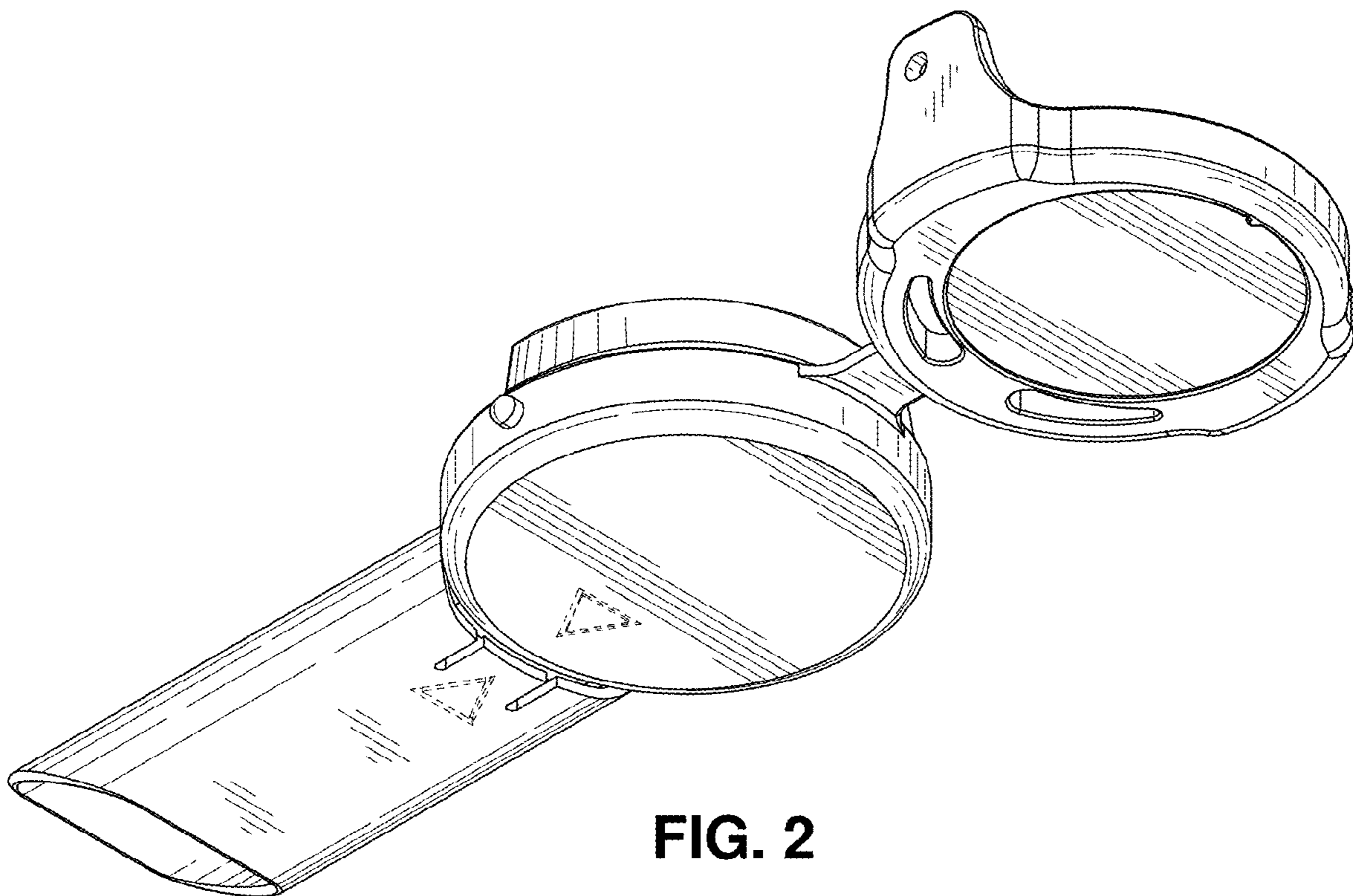
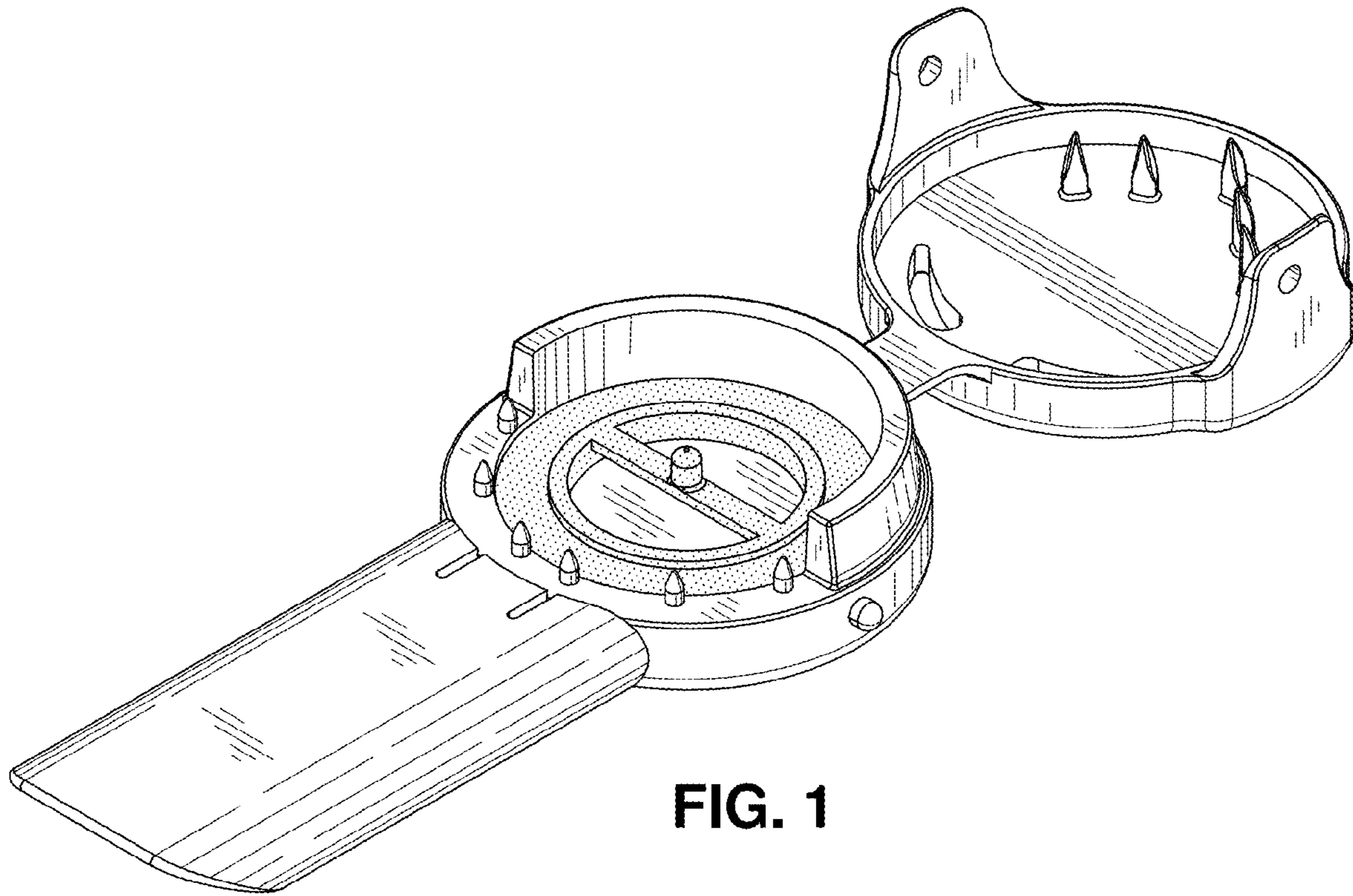
2015/0202473 A1* 7/2015 Curran A62B 18/006
128/202.27

OTHER PUBLICATIONS

Rechargeable Face Mask Fan—Clip-on Air Filter by DivinAir.
Oldest review date: Feb. 19, 2021. Retrieval date: Jul. 13, 2021.
Retrieved from internet: <https://www.amazon.com/DivinAir-Rechargeable-Face-Mask-Clip/dp/B08V8GJRFR> (Year: 2021).*

USB Rechargeable Clip-On Cooler Fan by hotoysdeals. Posting
date: May 12, 2021. Retrieval date: Jul. 13, 2021. Retrieved from
internet: <https://www.ebay.com/itm/373578044500> (Year: 2021).*

* cited by examiner



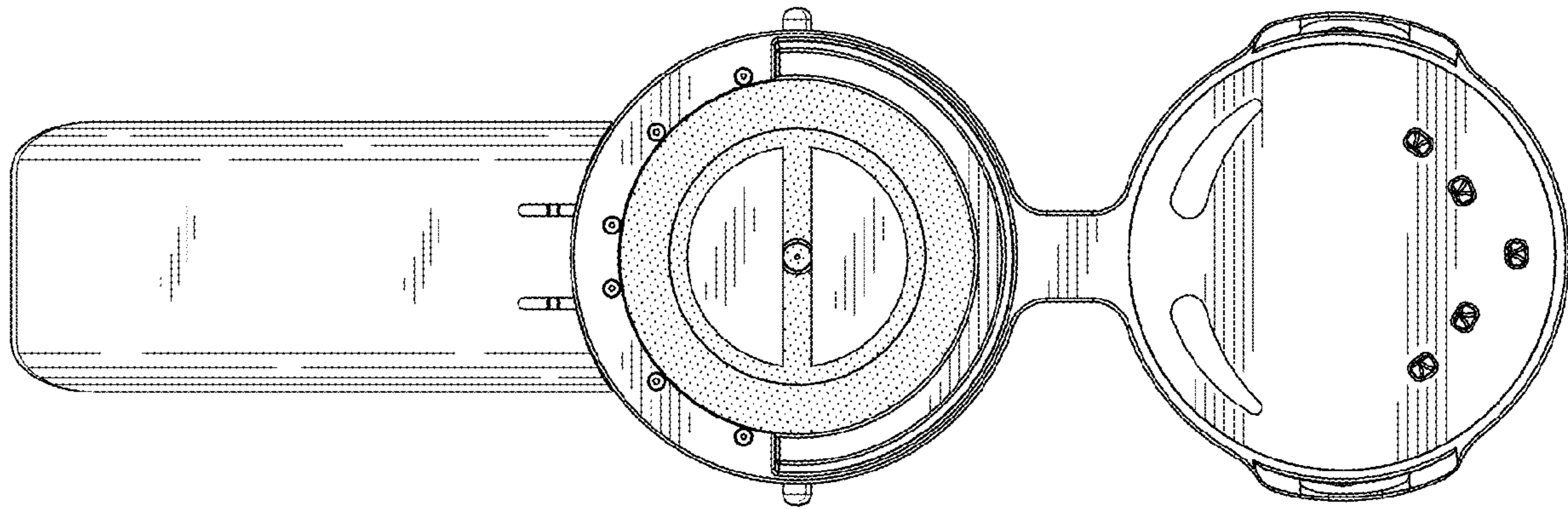


FIG. 3

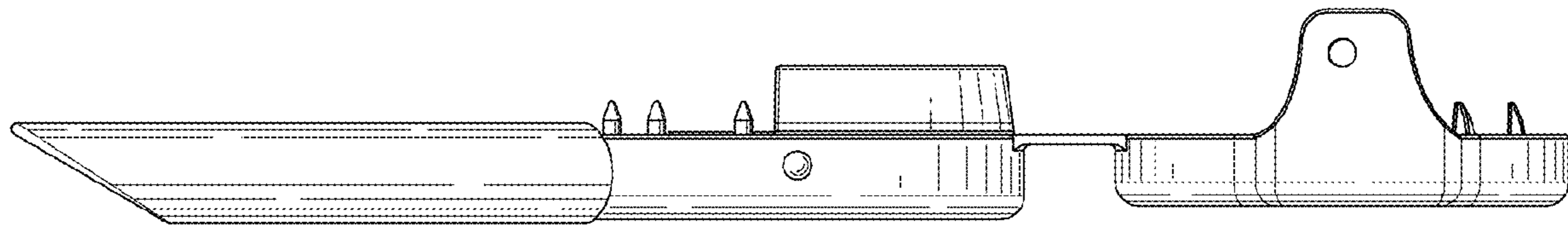


FIG. 4

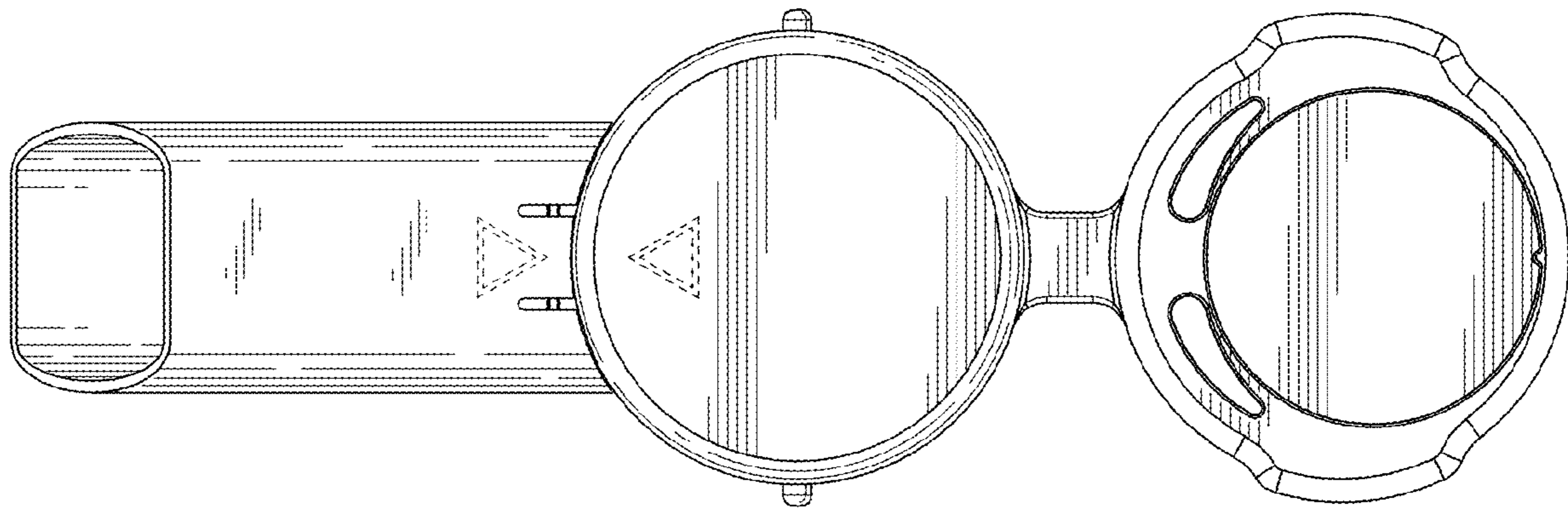


FIG. 5

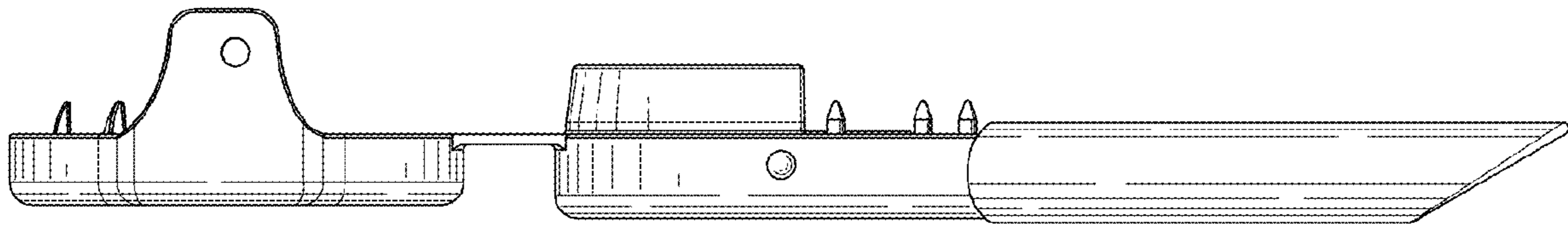


FIG. 6

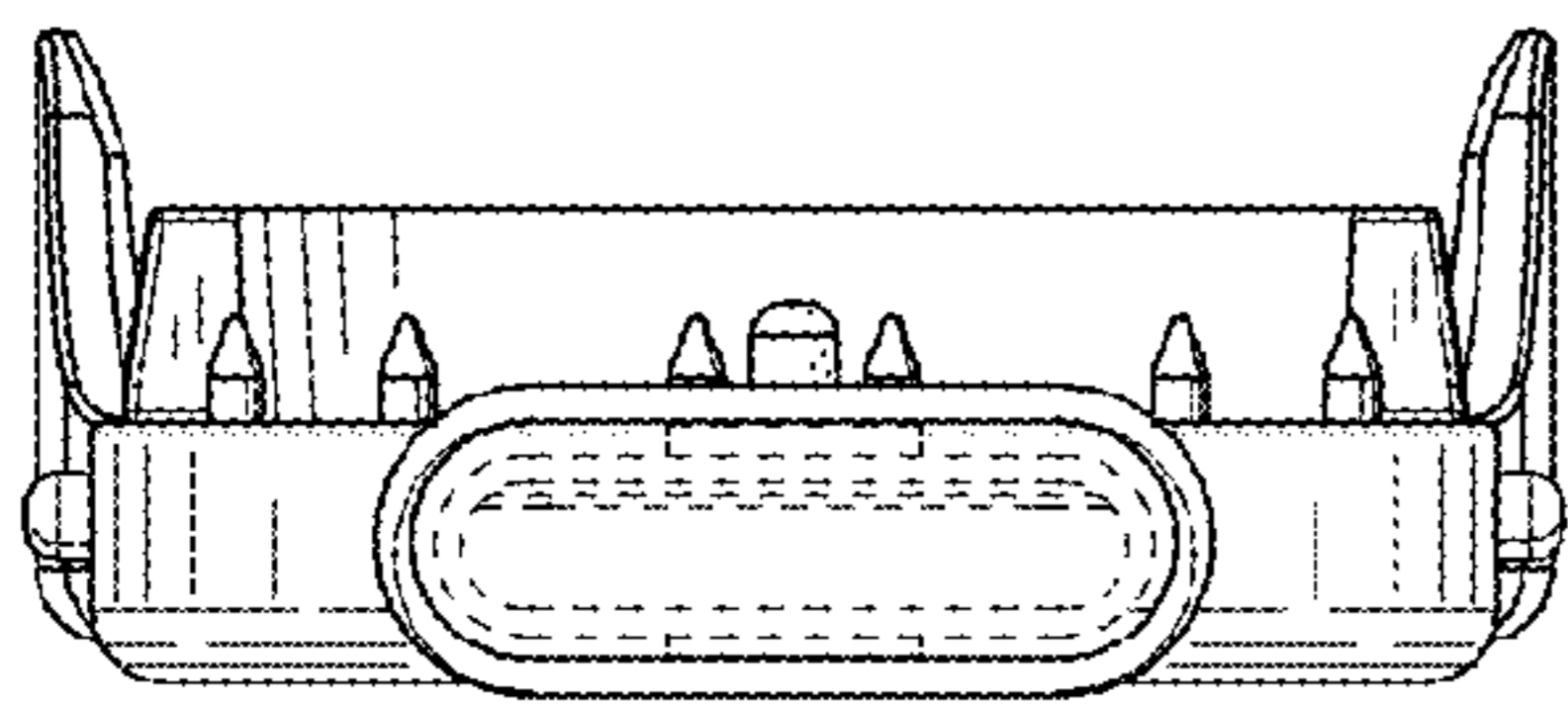


FIG. 7

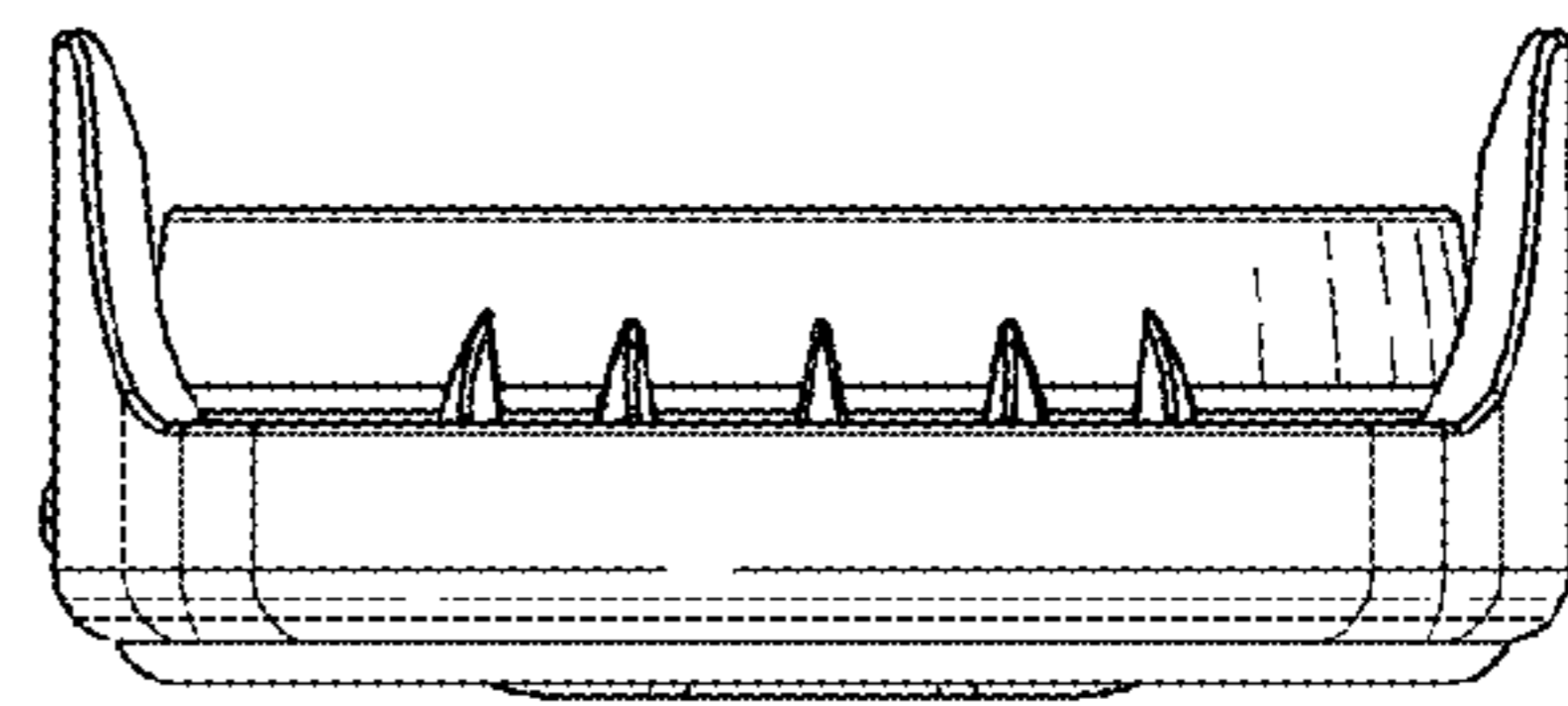


FIG. 8

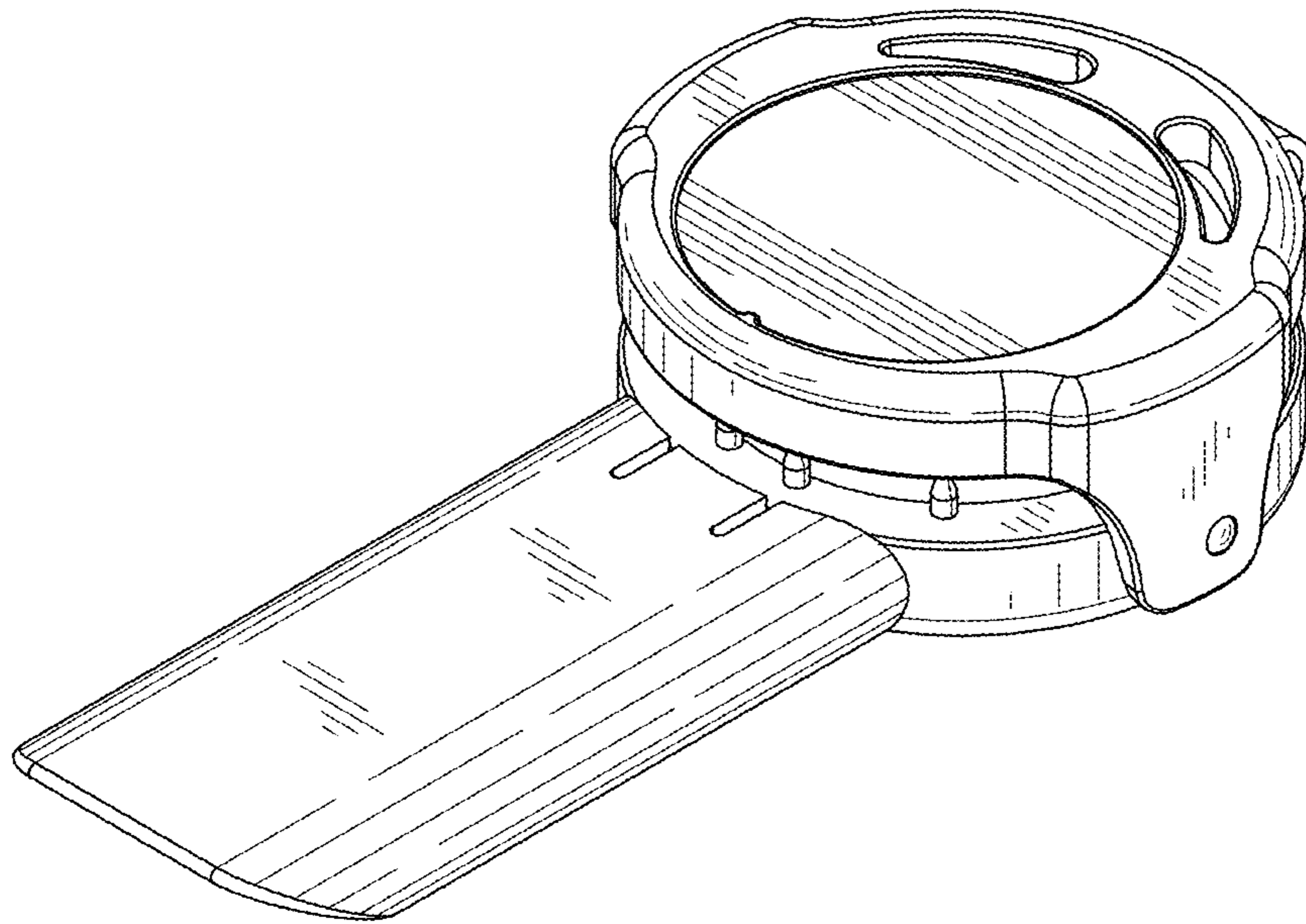


FIG. 9

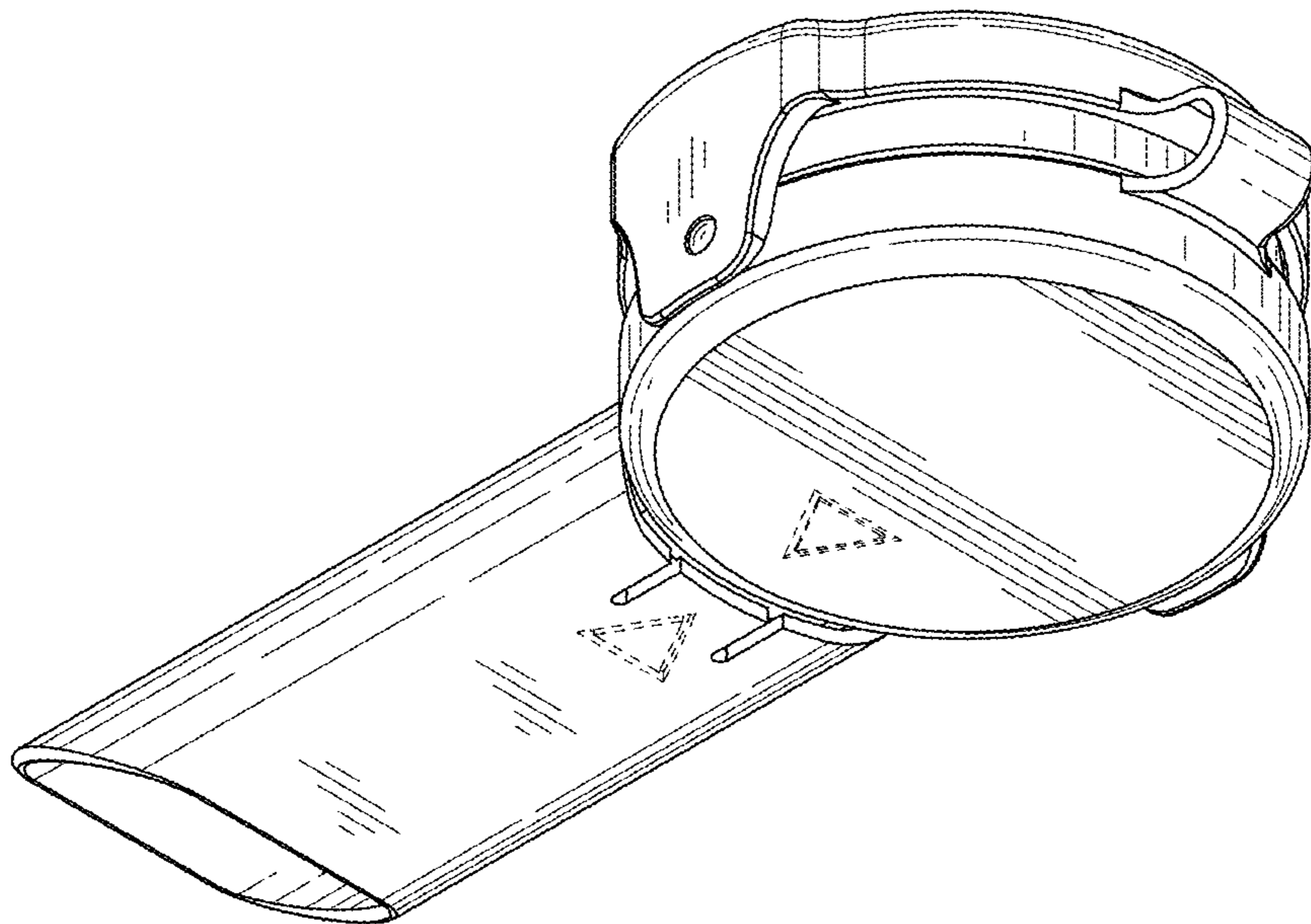


FIG. 10

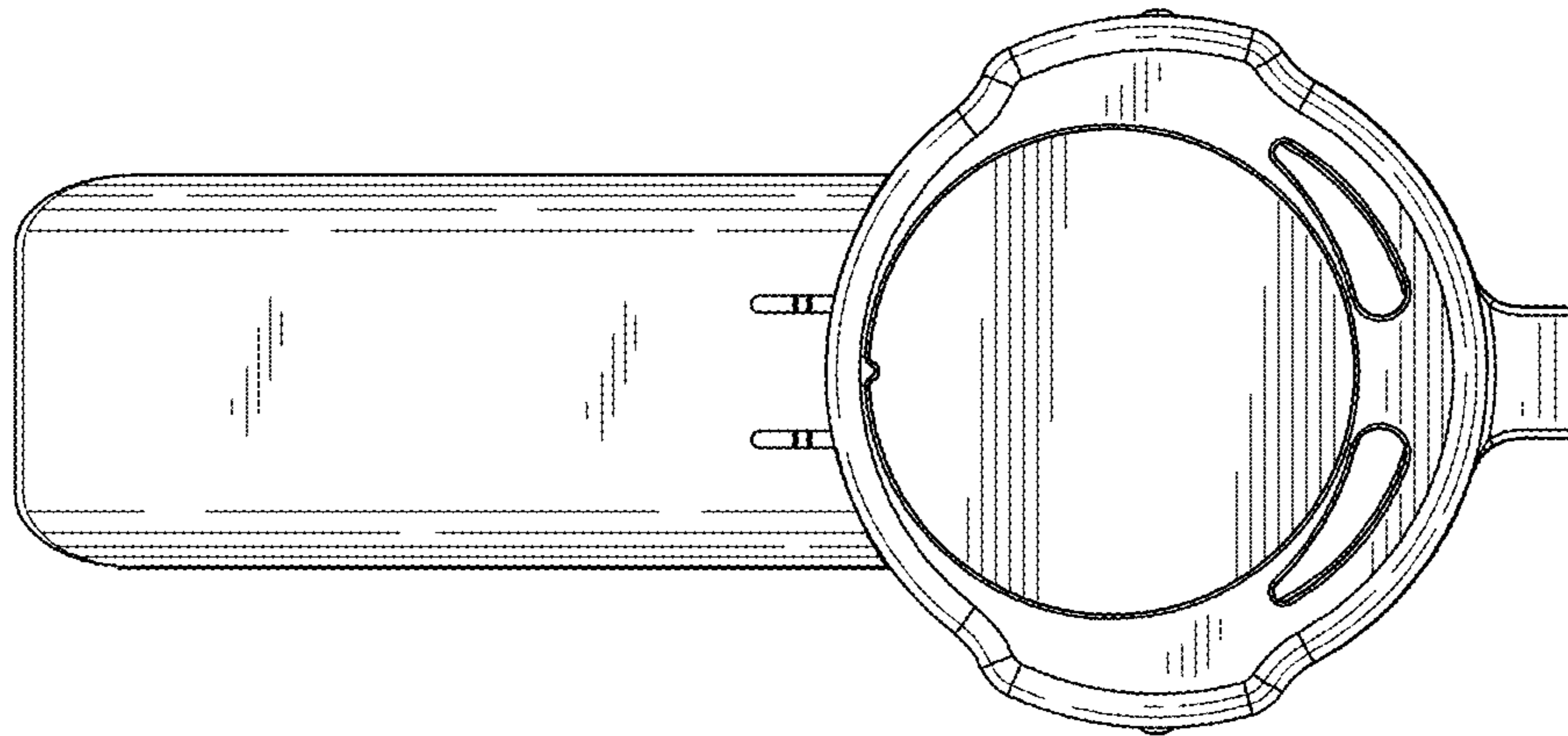


FIG. 11

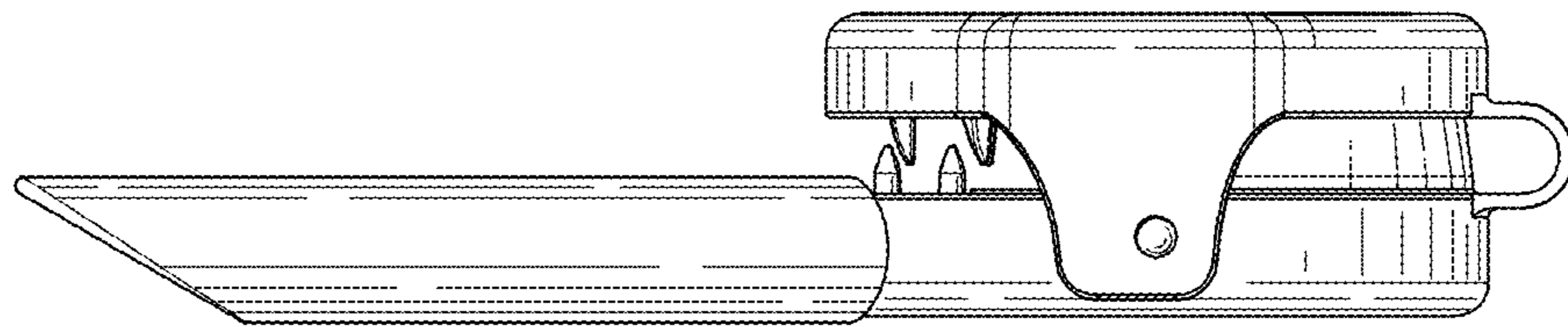


FIG. 12

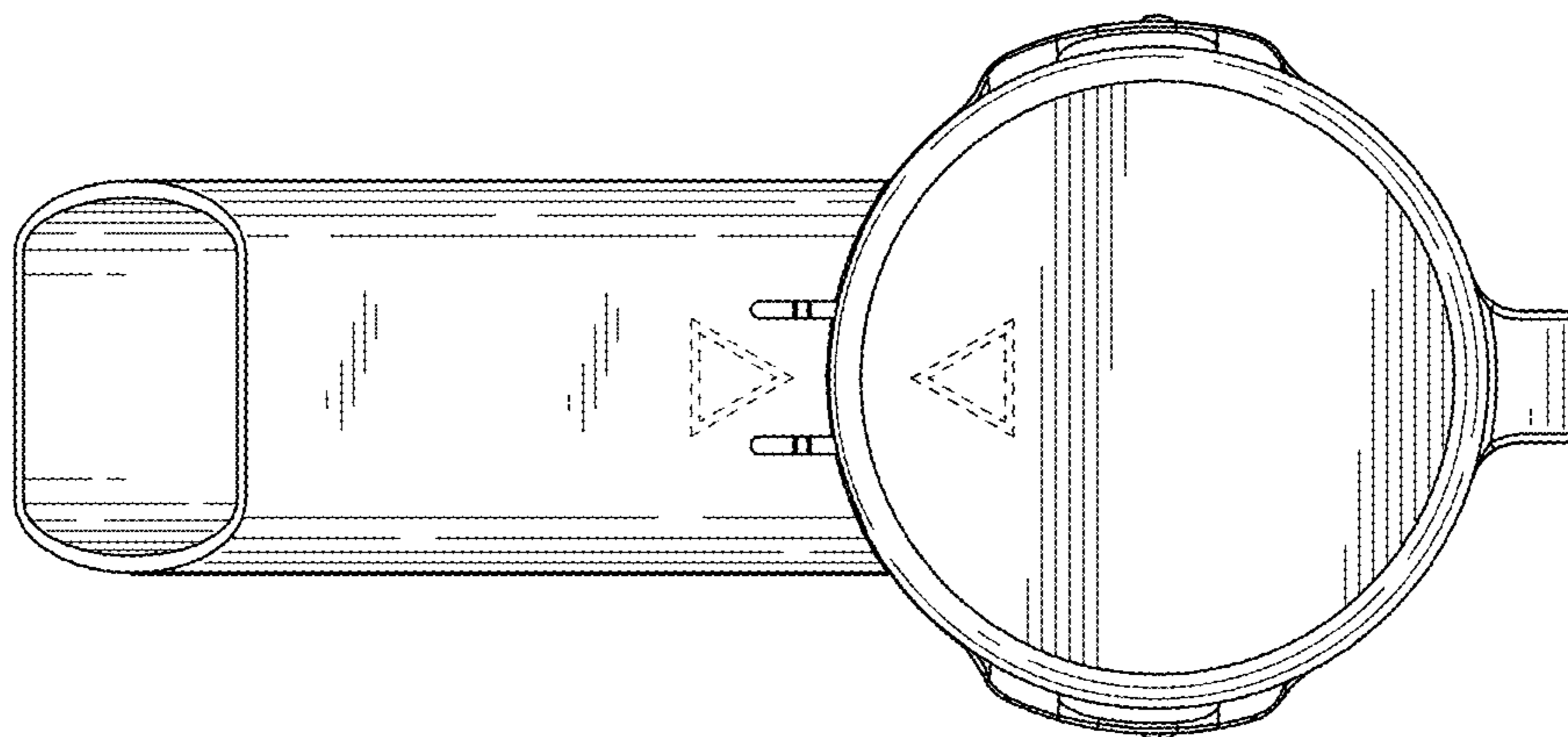


FIG. 13

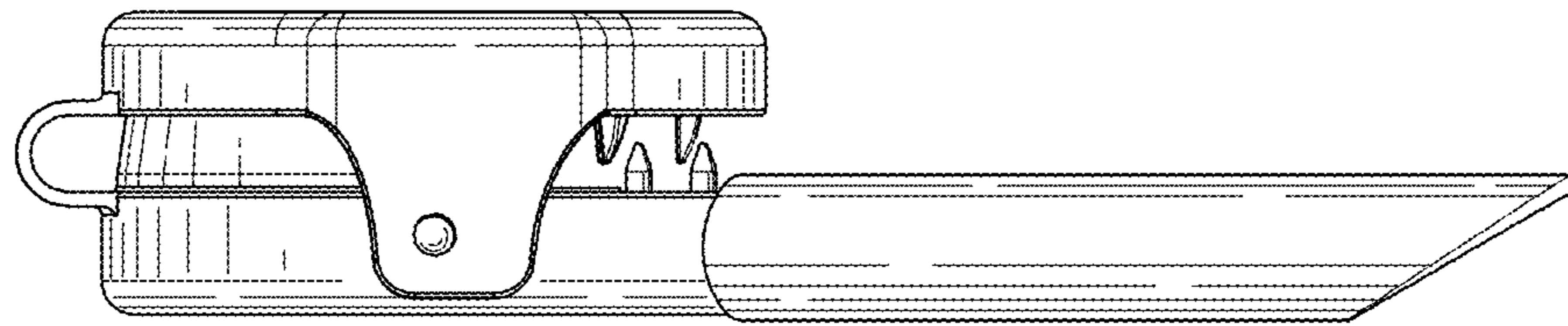


FIG. 14

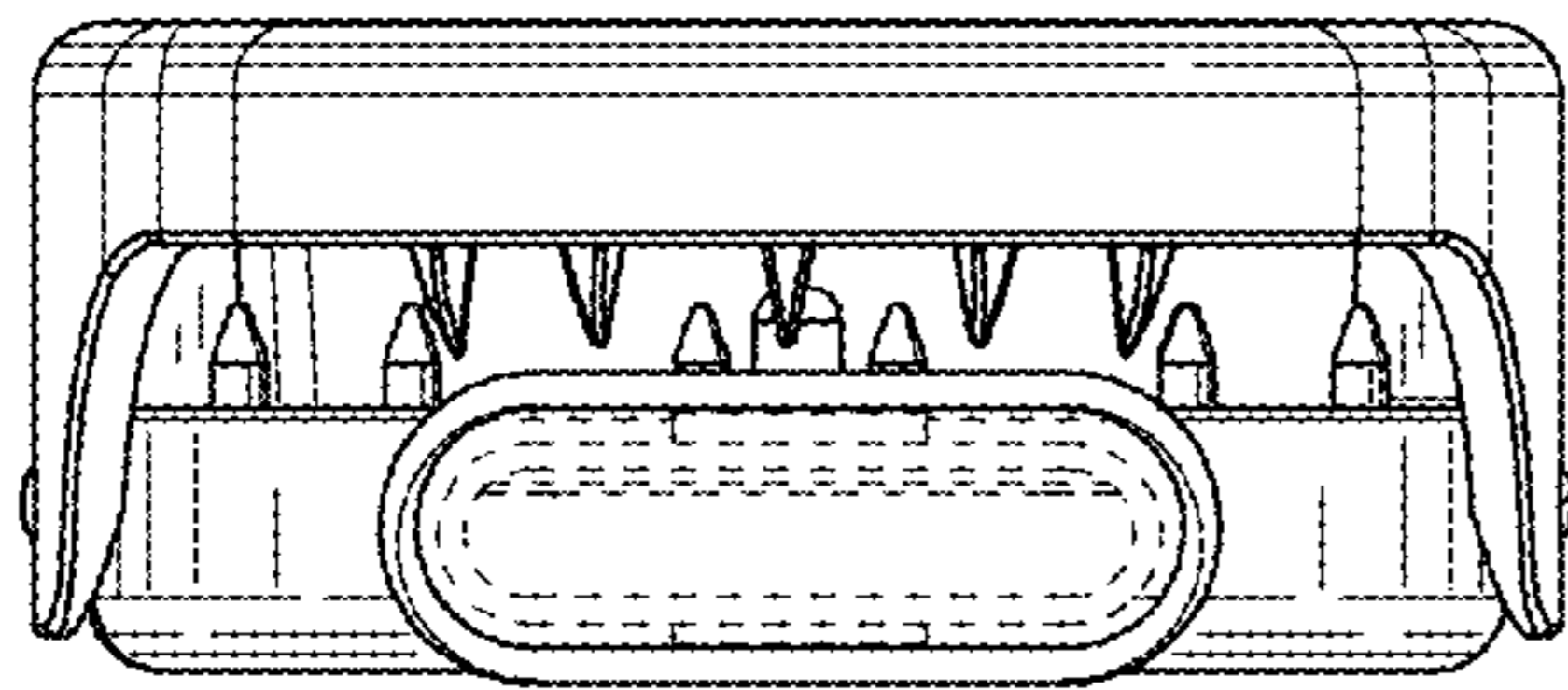


FIG. 15

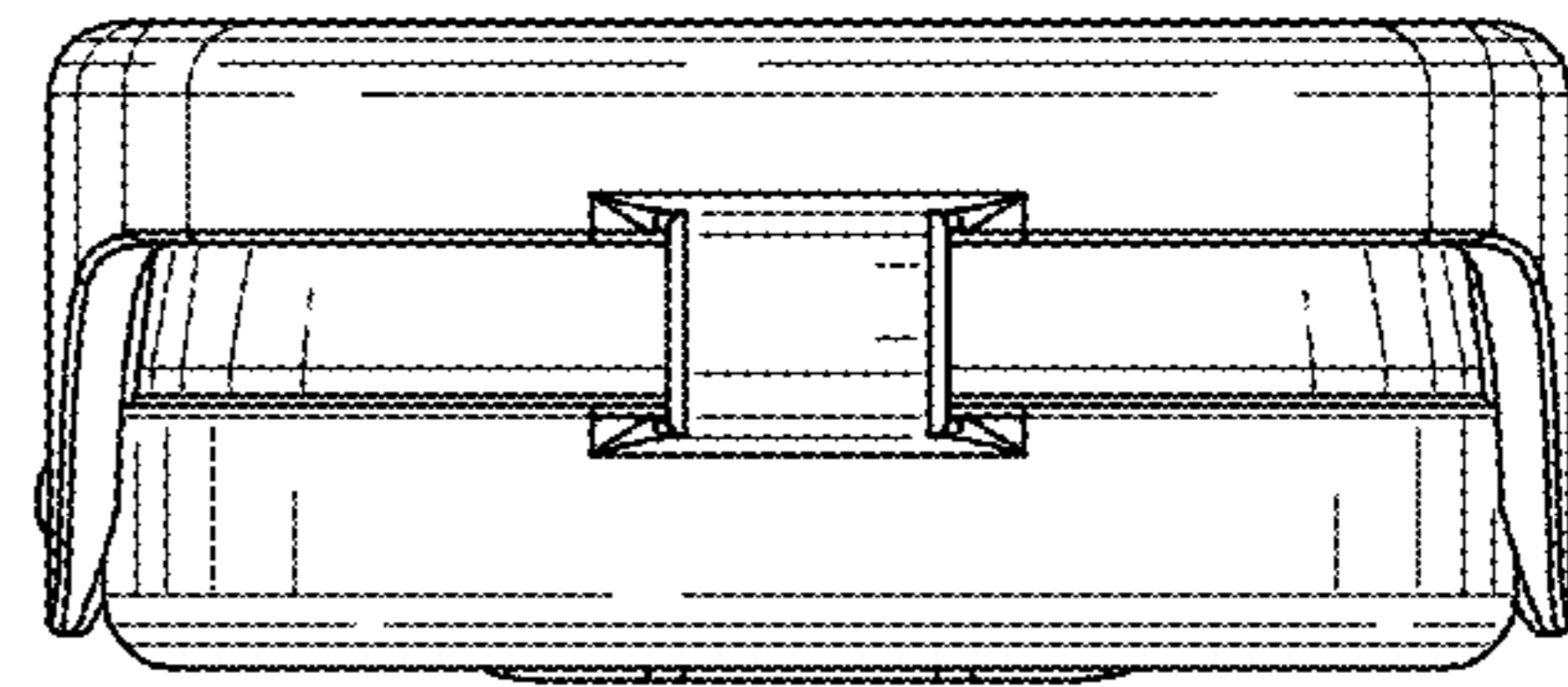


FIG. 16