



US00D935599S

(12) **United States Design Patent** (10) **Patent No.:** **US D935,599 S**  
**Miller et al.** (45) **Date of Patent:** **\*\* Nov. 9, 2021**

(54) **BREAST PUMP ENCLOSURE**  
(71) Applicant: **Babyation Inc.**, Clayton, MO (US)  
(72) Inventors: **Jared Miller**, Chesterfield, MO (US);  
**Samantha Rudolph**, Chesterfield, MO (US)  
(73) Assignee: **Babyation Inc**, Clayton, MO (US)

D695,885 S \* 12/2013 Thomas ..... D24/109  
D776,270 S \* 1/2017 Wilcox ..... D24/127  
D814,017 S \* 3/2018 Muther ..... D24/109  
D830,535 S \* 10/2018 Muther ..... D24/109  
D852,946 S \* 7/2019 Muther ..... D24/109  
D882,061 S \* 4/2020 Fang ..... D24/109  
D912,803 S \* 3/2021 Cheung ..... D24/111  
2003/0069536 A1 \* 4/2003 Greter ..... A61M 1/06  
604/74

(Continued)

(\*\*) Term: **15 Years**

**OTHER PUBLICATIONS**

(21) Appl. No.: **29/706,667**  
(22) Filed: **Sep. 23, 2019**  
(51) **LOC (13) Cl.** ..... **24-02**  
(52) **U.S. Cl.**  
USPC ..... **D24/109**  
(58) **Field of Classification Search**  
USPC ..... D24/107-109, 111, 113, 127, 185, 193,  
D24/197; D9/500, 549; D7/700;  
D14/203.2-203.7; D13/168  
CPC ..... A61M 1/00; A61M 1/06; A61M 1/062;  
A61M 1/064; A61M 1/80; A61M 1/82;  
A61M 1/0001; A61M 2205/502; A61M  
2205/8206; A61M 2205/07; A61M  
2205/505; A61M 2205/071; A61M  
2205/075; A61M 2205/123; A61J 9/00;  
A61J 13/00; A61J 2200/50; A61J 2200/76  
See application file for complete search history.

The Pump by Babyation, posted at plantbasedjuniors.com, earliest date posted Sep. 29, 2020, [online], acquired on Aug. 25, 2021. Available from Internet, <https://plantbasedjuniors.com/products/babyation-breast-pump/> (Year: 2020).\*

*Primary Examiner* — Sheryl Lane  
*Assistant Examiner* — Aula Soroush  
(74) *Attorney, Agent, or Firm* — Bryan Cave Leighton Paisner LLP

(56) **References Cited**

**U.S. PATENT DOCUMENTS**

D468,822 S \* 1/2003 Greter ..... D24/108  
D484,970 S \* 1/2004 Renz ..... D24/109  
D540,939 S \* 4/2007 Pukall ..... D24/109  
D565,174 S \* 3/2008 Pukall ..... D24/109  
D573,249 S \* 7/2008 Solberg ..... D24/109  
D576,268 S \* 9/2008 Solberg ..... D24/109  
D576,269 S \* 9/2008 Solberg ..... D24/109  
D683,843 S \* 6/2013 Cudworth ..... D24/109

(57) **CLAIM**

We claim the ornamental design for the breast pump enclosure, as shown.

**DESCRIPTION**

FIG. 1 is a perspective view of a breast pump enclosure; FIG. 2 is a front elevational view thereof; FIG. 3 is a rear elevational view thereof; FIG. 4 is a left elevational view thereof; FIG. 5 is a right elevational view thereof; FIG. 6 is a top, plan view thereof; FIG. 7 is a bottom, plan view thereof; and, FIG. 8 is a perspective view of a breast pump enclosure in a closed position. The broken lines in the drawings illustrate portions of the breast pump enclosure that form no part of the claimed design.

**1 Claim, 8 Drawing Sheets**



(56)

**References Cited**

U.S. PATENT DOCUMENTS

2004/0024352 A1\* 2/2004 Renz ..... A61M 1/81  
604/74  
2008/0021380 A1\* 1/2008 Thommen ..... A61M 1/06  
604/74  
2010/0324478 A1\* 12/2010 Kazazoglu ..... A61M 1/06  
604/74  
2018/0028732 A1\* 2/2018 Rigert ..... A61M 1/06  
2018/0104395 A1\* 4/2018 Aalders ..... A61M 1/06

\* cited by examiner

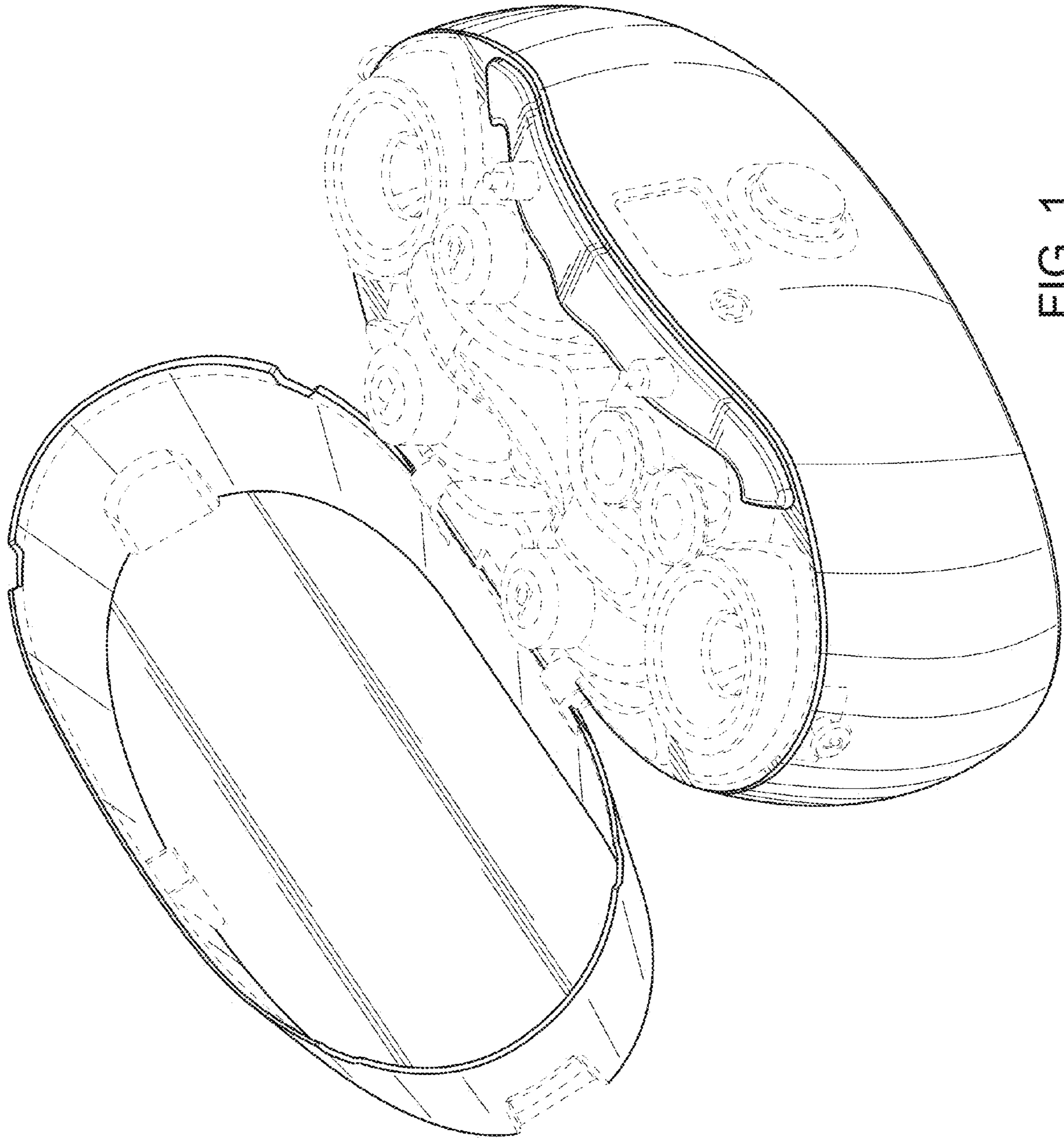


FIG. 1

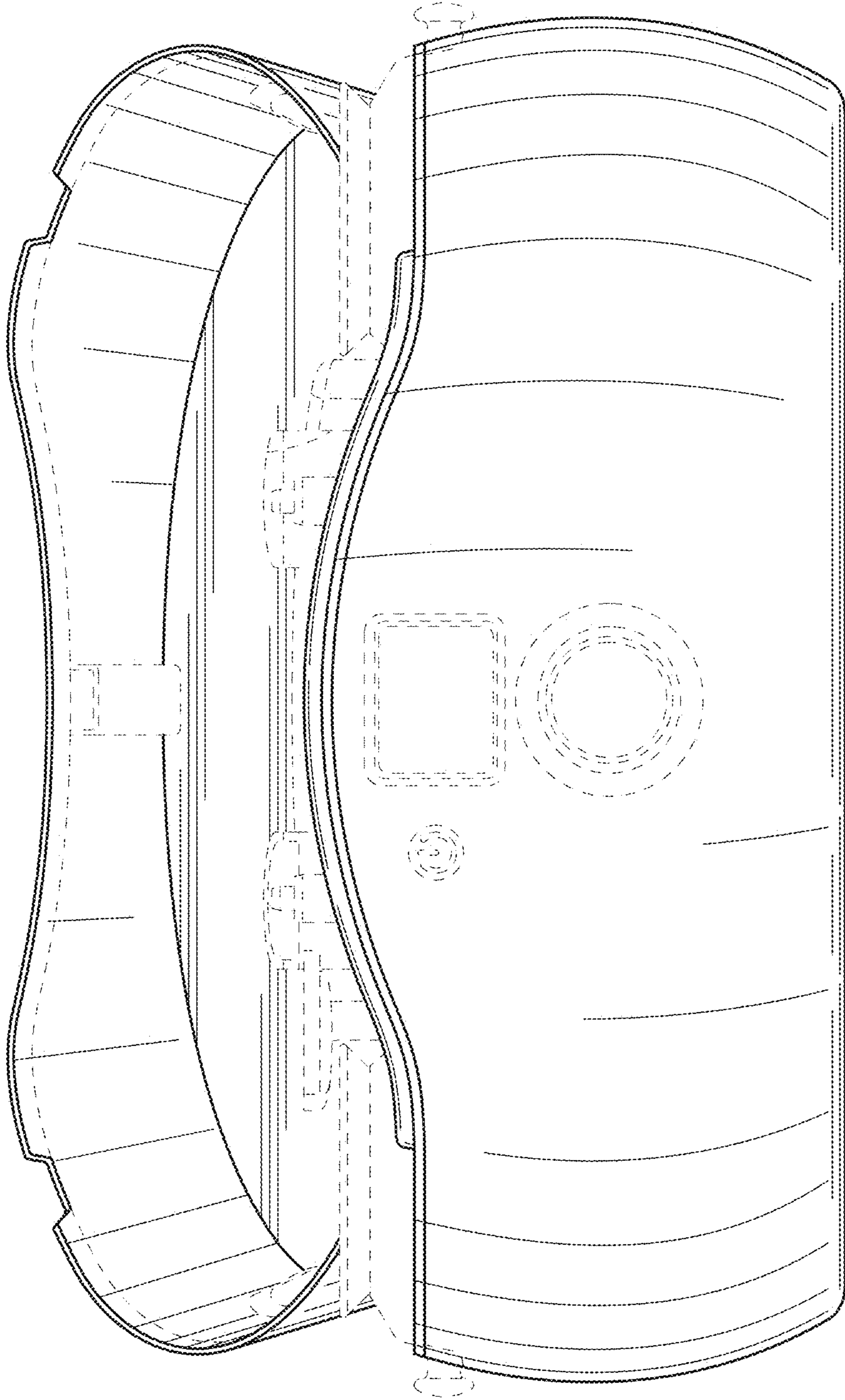


FIG. 2

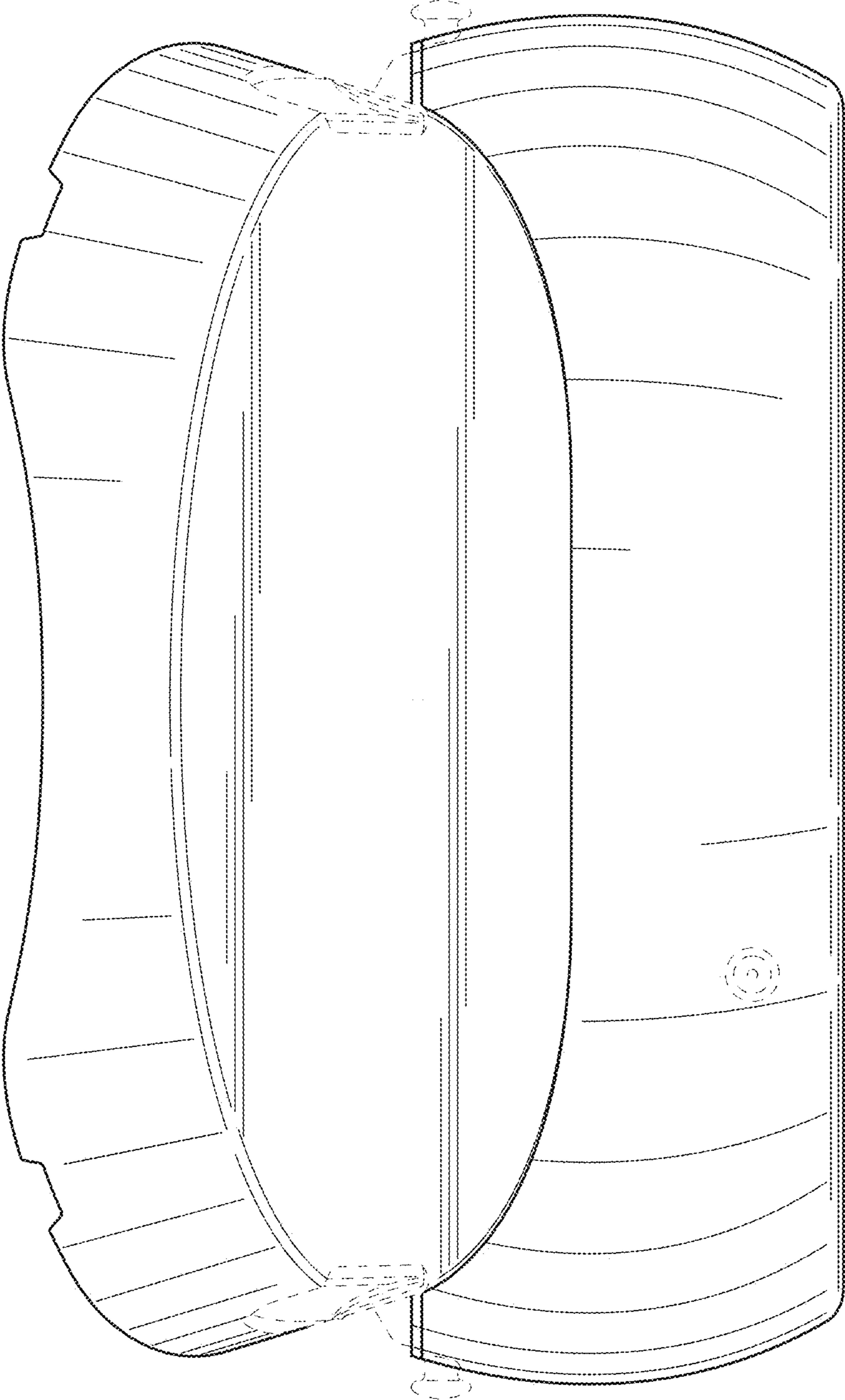


FIG. 3

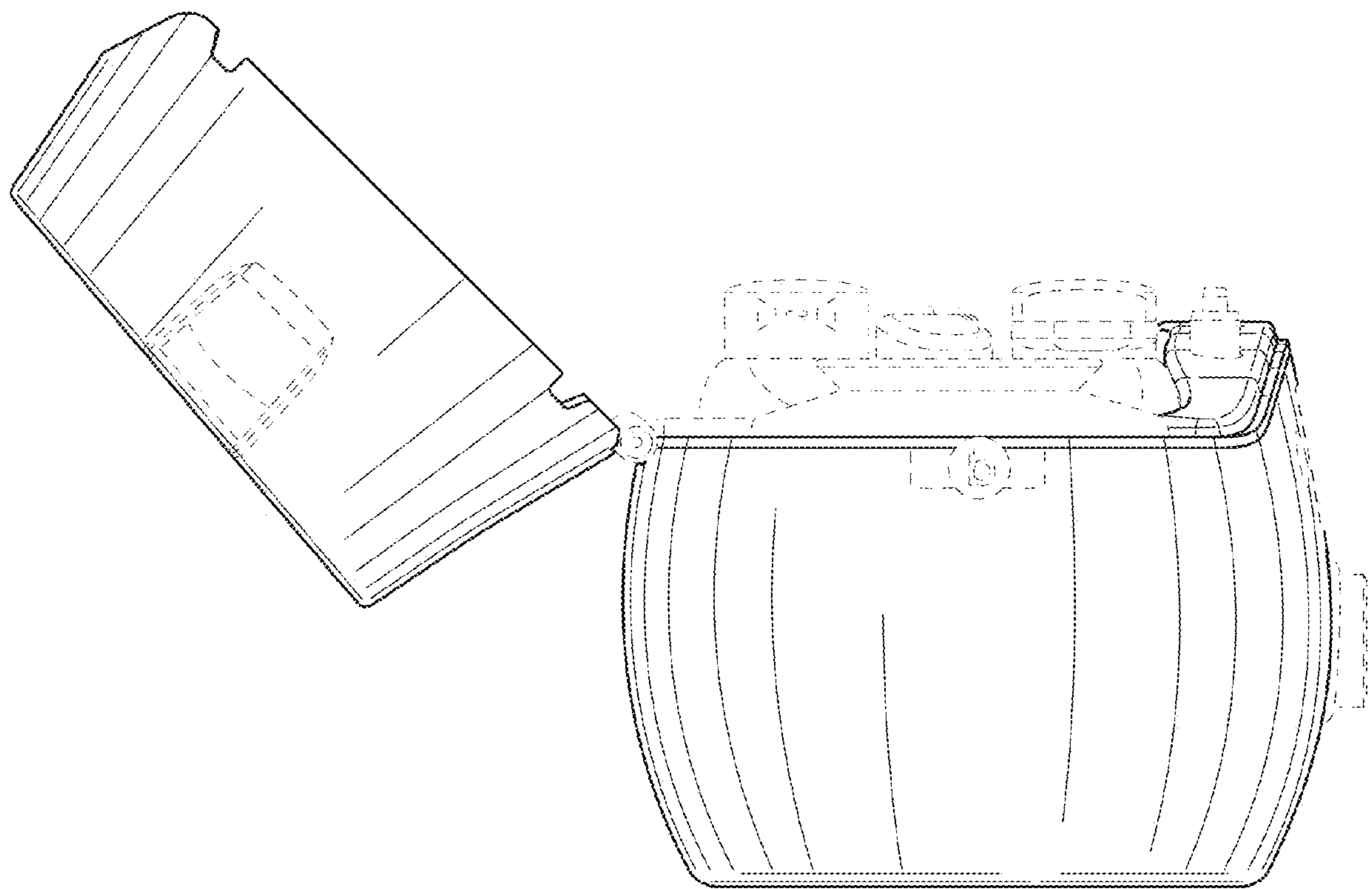


FIG. 4

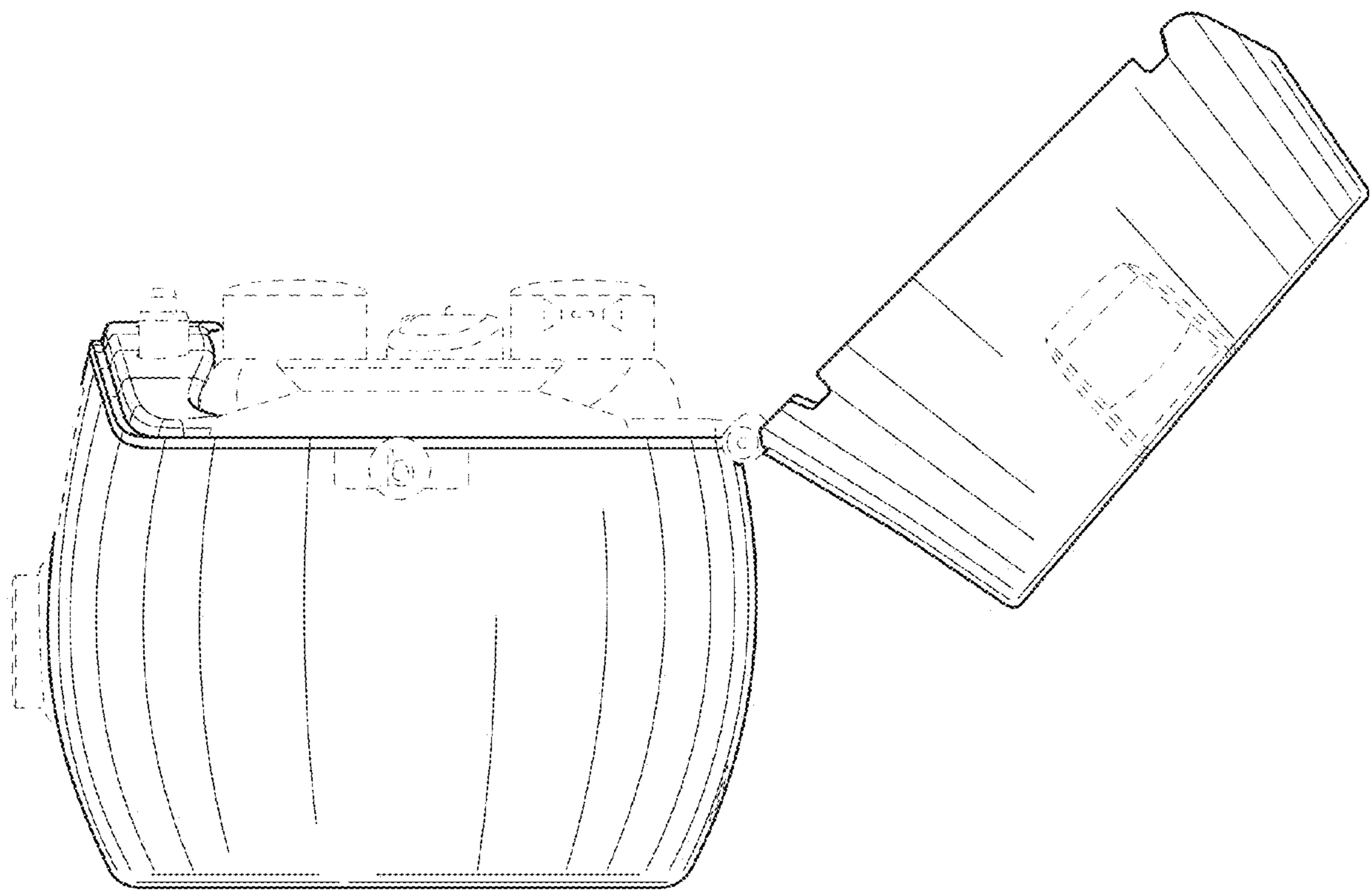


FIG. 5

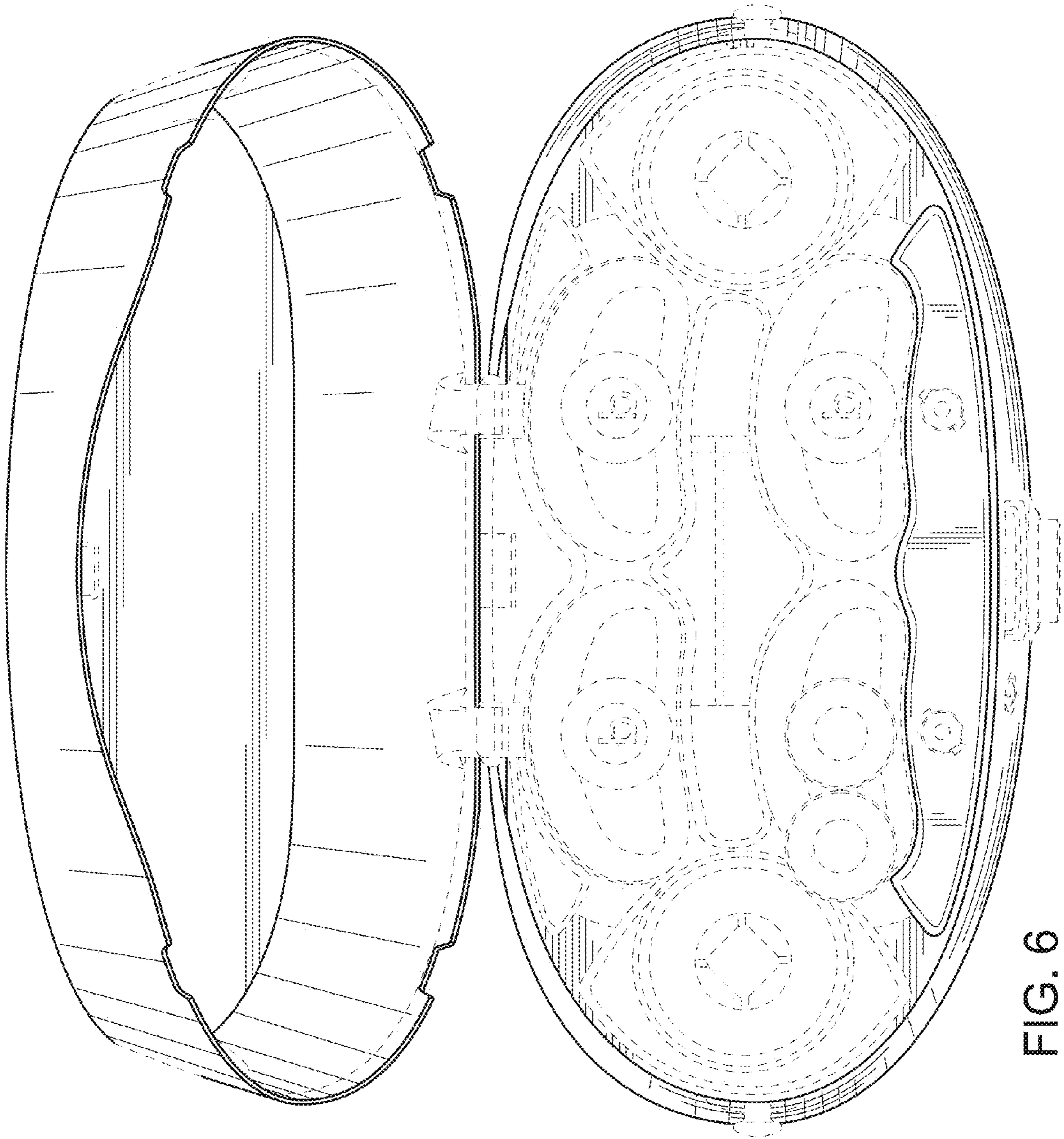


FIG. 6



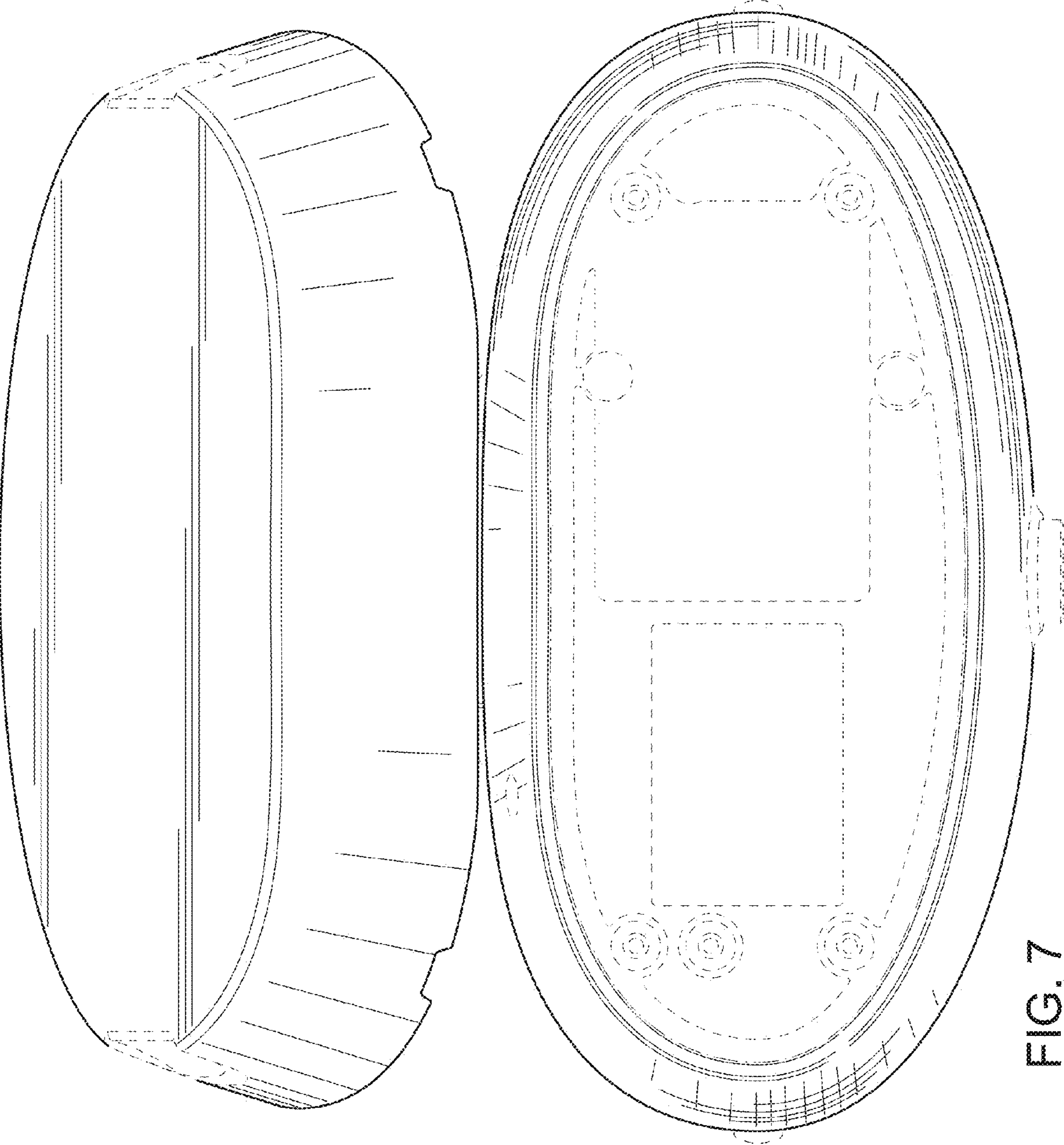


FIG. 7

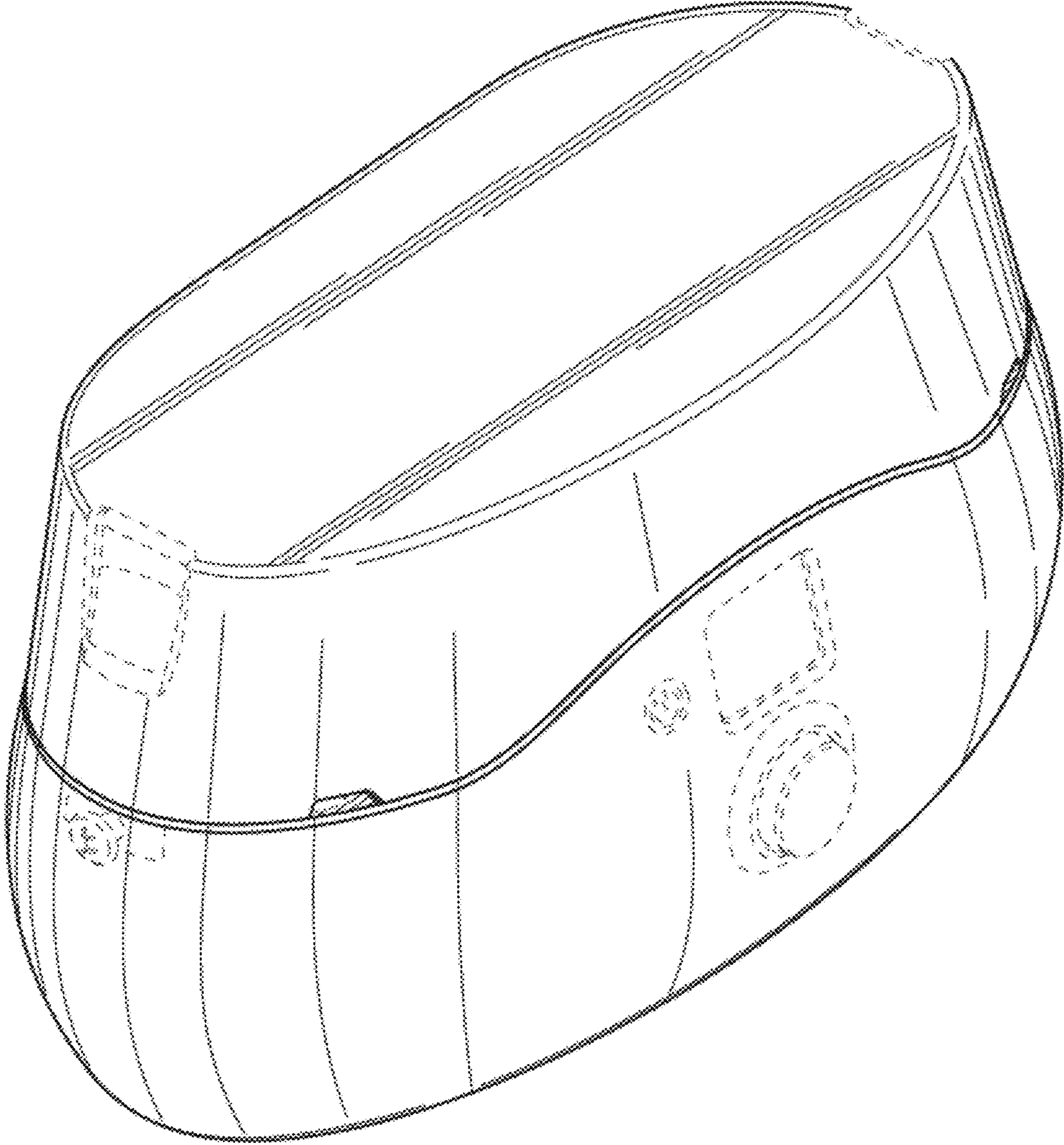


FIG. 8