

US00D935598S

(12) **United States Design Patent** (10) **Patent No.:** **US D935,598 S**
Haggar et al. (45) **Date of Patent:** **** Nov. 9, 2021**

- (54) **CEILING FAN BLADE**
- (71) Applicant: **Hunter Fan Company**, Memphis, TN (US)
- (72) Inventors: **Alexander Jonathan Haggar**, Memphis, TN (US); **Claire Bernice McRoberts**, Memphis, TN (US)
- (73) Assignee: **Hunter Fan Company**, Memphis, TN (US)
- (**) Term: **15 Years**
- (21) Appl. No.: **29/737,879**
- (22) Filed: **Jun. 12, 2020**

- D506,565 S 6/2005 Yurich
- D535,388 S 1/2007 Gajewski
- D561,374 S 2/2008 Harmann, Jr. et al.
- D607,600 S 1/2010 Keith
- D628,688 S 12/2010 Pan
- D670,802 S 11/2012 Wang
- D671,203 S 11/2012 Wang
- D706,407 S 6/2014 Wang
- D715,917 S 10/2014 Hidalgo
- D716,438 S 10/2014 Liu
- D745,956 S 12/2015 Ertze
- D771,794 S 11/2016 Wang
- D772,393 S 11/2016 Wang

(Continued)

Primary Examiner — Lilyana Bekic
Assistant Examiner — Sharon S Oum
(74) *Attorney, Agent, or Firm* — McGarry Bair PC

Related U.S. Application Data

- (62) Division of application No. 29/667,995, filed on Oct. 26, 2018, now Pat. No. Des. 890,910.
- (51) **LOC (13) Cl.** **23-03**
- (52) **U.S. Cl.**
USPC **D23/413**
- (58) **Field of Classification Search**
USPC D23/370, 377, 379, 385, 411, 413;
D12/214, 339, 344
CPC F04D 25/088; F04D 29/38; F04D 29/384;
F04D 29/386
See application file for complete search history.

References Cited

U.S. PATENT DOCUMENTS

- D290,748 S 7/1987 Kawai
- D355,027 S 1/1995 Young
- D377,975 S * 2/1997 Young D23/377
- D386,257 S 11/1997 Liu
- D445,887 S 7/2001 Campbell
- D453,216 S 1/2002 Gajewski
- D484,964 S 1/2004 Young

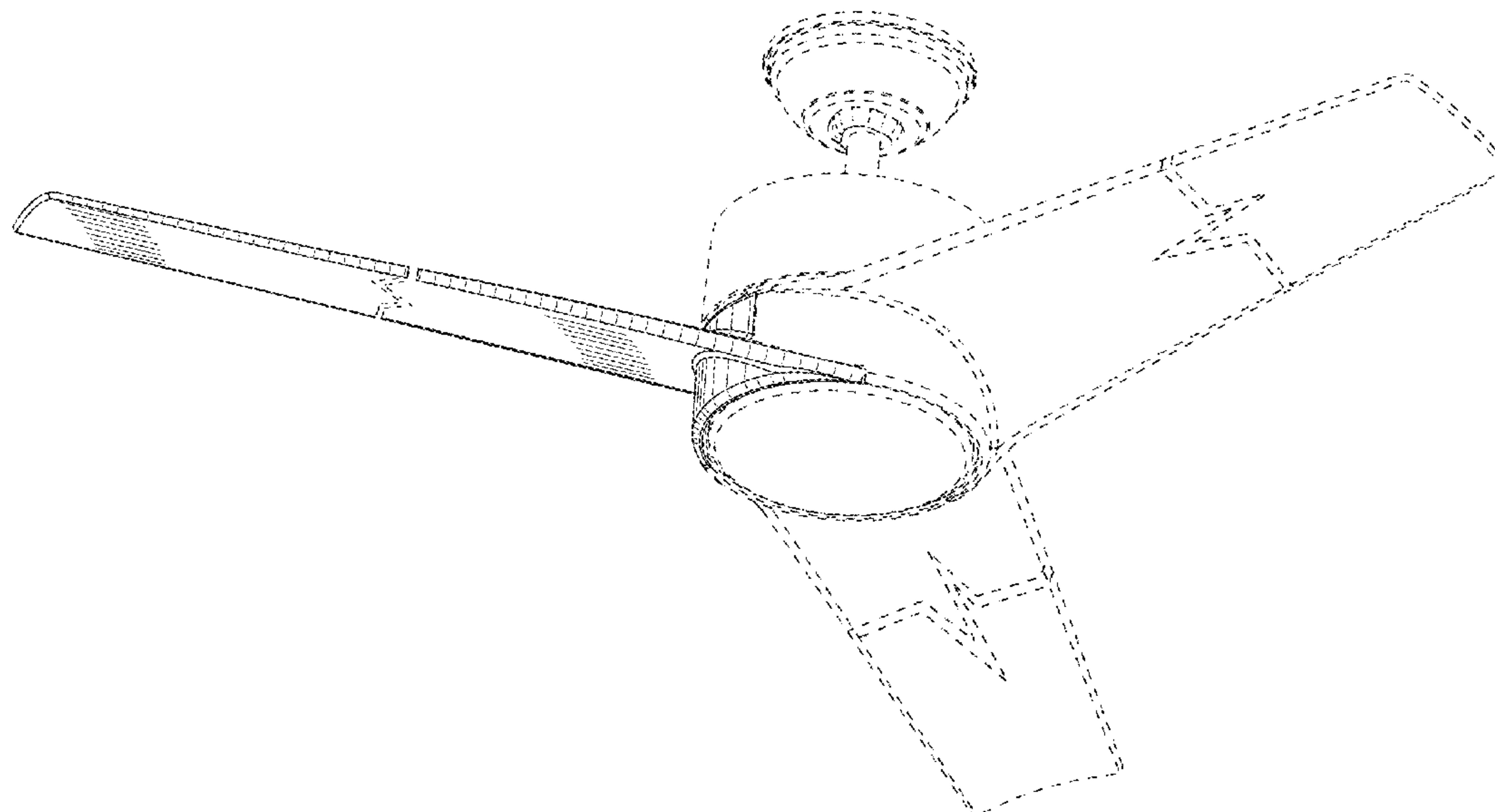
(57) **CLAIM**

The ornamental design for a ceiling fan blade, as shown and described.

DESCRIPTION

FIG. 1 is a top perspective view of a ceiling fan blade, shown in the environment of a ceiling fan, showing our new design; FIG. 2 is a bottom perspective view thereof; FIG. 3 is a top view thereof; FIG. 4 is a bottom view thereof; FIG. 5 is a front view thereof; FIG. 6 is a rear view thereof; FIG. 7 is a right side view thereof; and, FIG. 8 is a left side view thereof. Portions of the ceiling fan blade and the ceiling fan environment are shown in broken lines, which form no part of the claimed design. The ceiling fan blade is shown with a symbolic break in its length. The appearance of any portion of the ceiling fan blade between the break lines forms no part of the claimed design.

1 Claim, 8 Drawing Sheets



(56)

References Cited

U.S. PATENT DOCUMENTS

D773,030	S	11/2016	Puerto	
D785,157	S	4/2017	Wang	
D788,283	S	5/2017	Busta	
D795,411	S	8/2017	Wang	
D797,638	S *	9/2017	Xiao	D12/214
D798,433	S *	9/2017	Badarello	D23/413
D782,644	S	11/2017	Wang	
D804,639	S	12/2017	Guthrie	
D805,174	S	12/2017	Guthrie	
D813,370	S	3/2018	Li	
D855,788	S	8/2019	Haggar	
D855,789	S	8/2019	Haggar	
D862,755	S	10/2019	Haggar	
D872,251	S *	1/2020	Haggar	D23/377
D890,910	S *	7/2020	Haggar	D23/377
D892,301	S *	8/2020	Haggar	D23/413
D899,583	S *	10/2020	Haggar	D23/413
2018/0128276	A1	5/2018	Li	

* cited by examiner

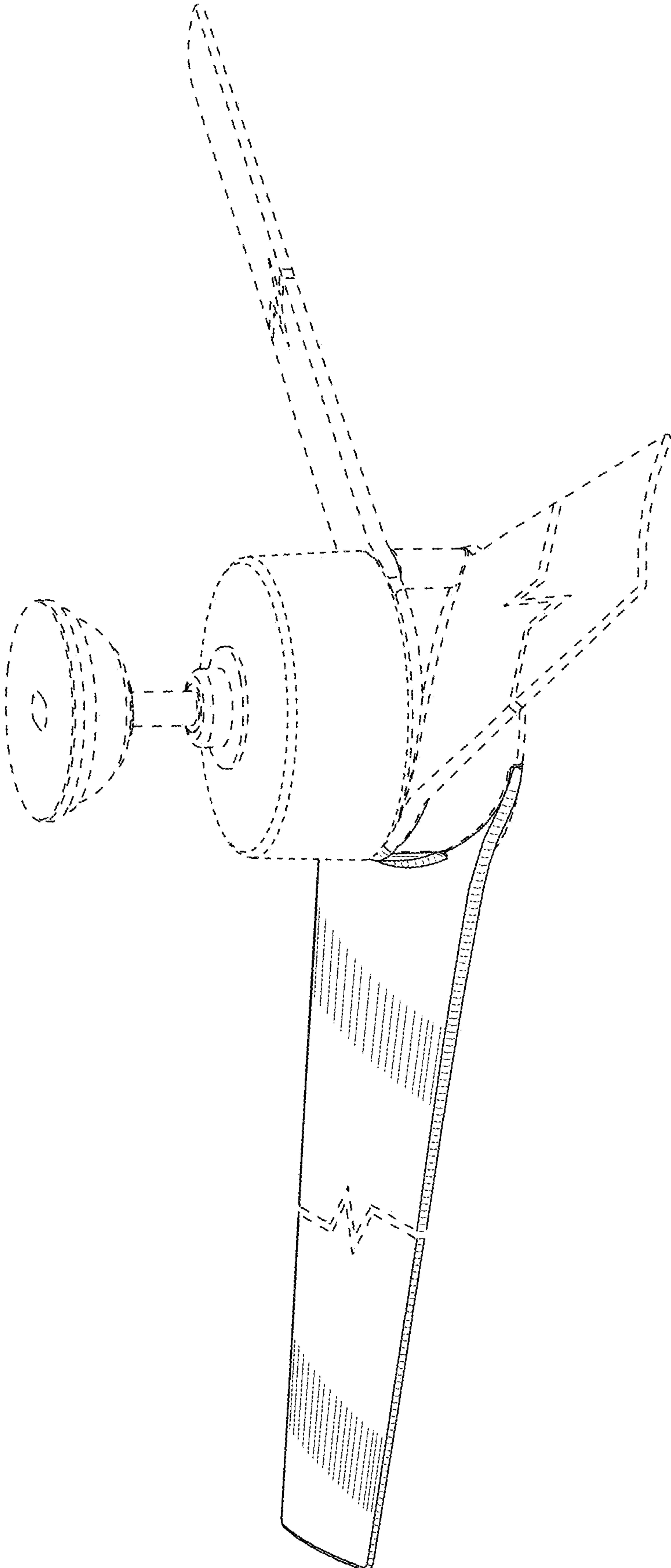


FIG. 1

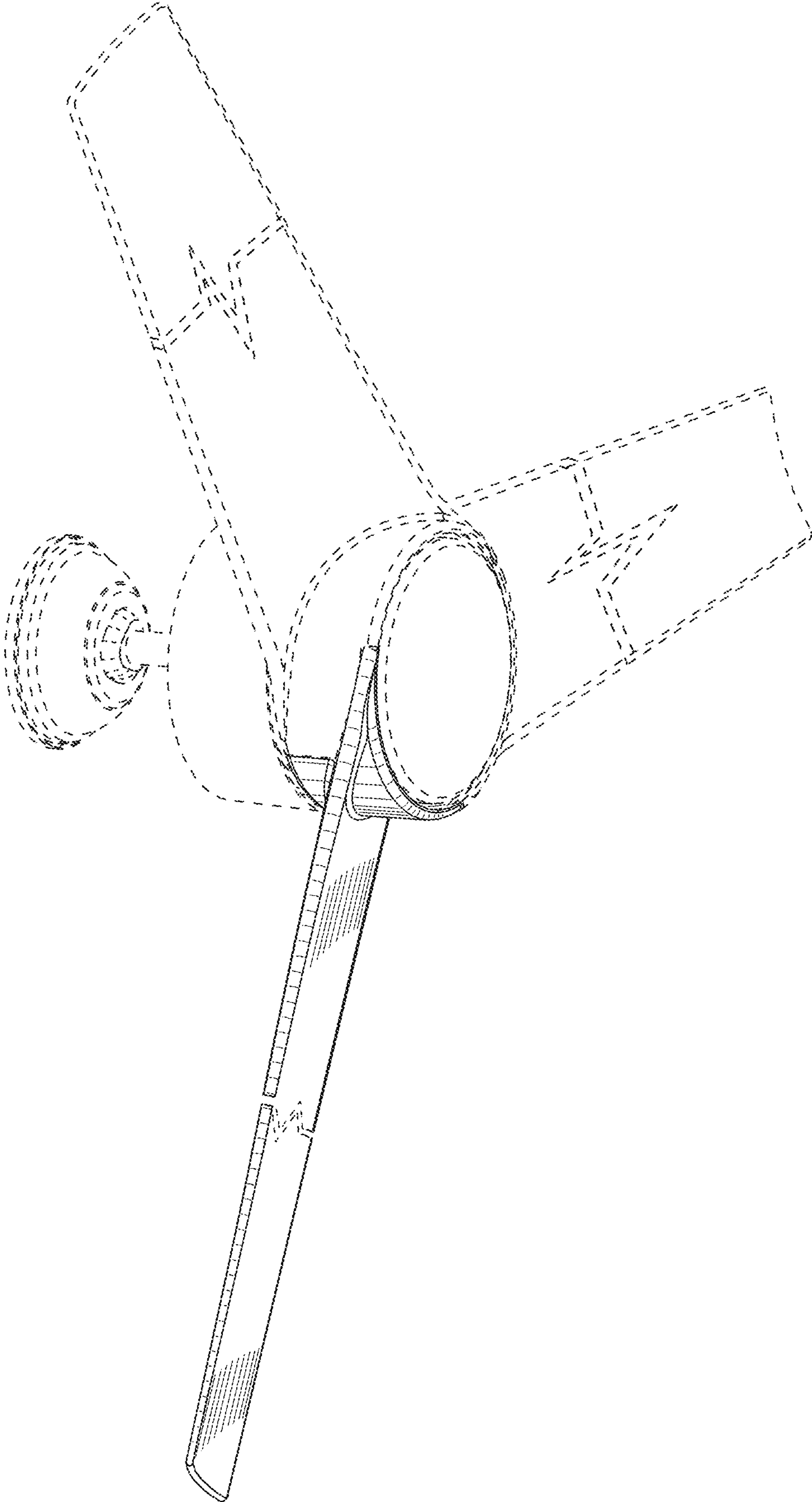


FIG. 2

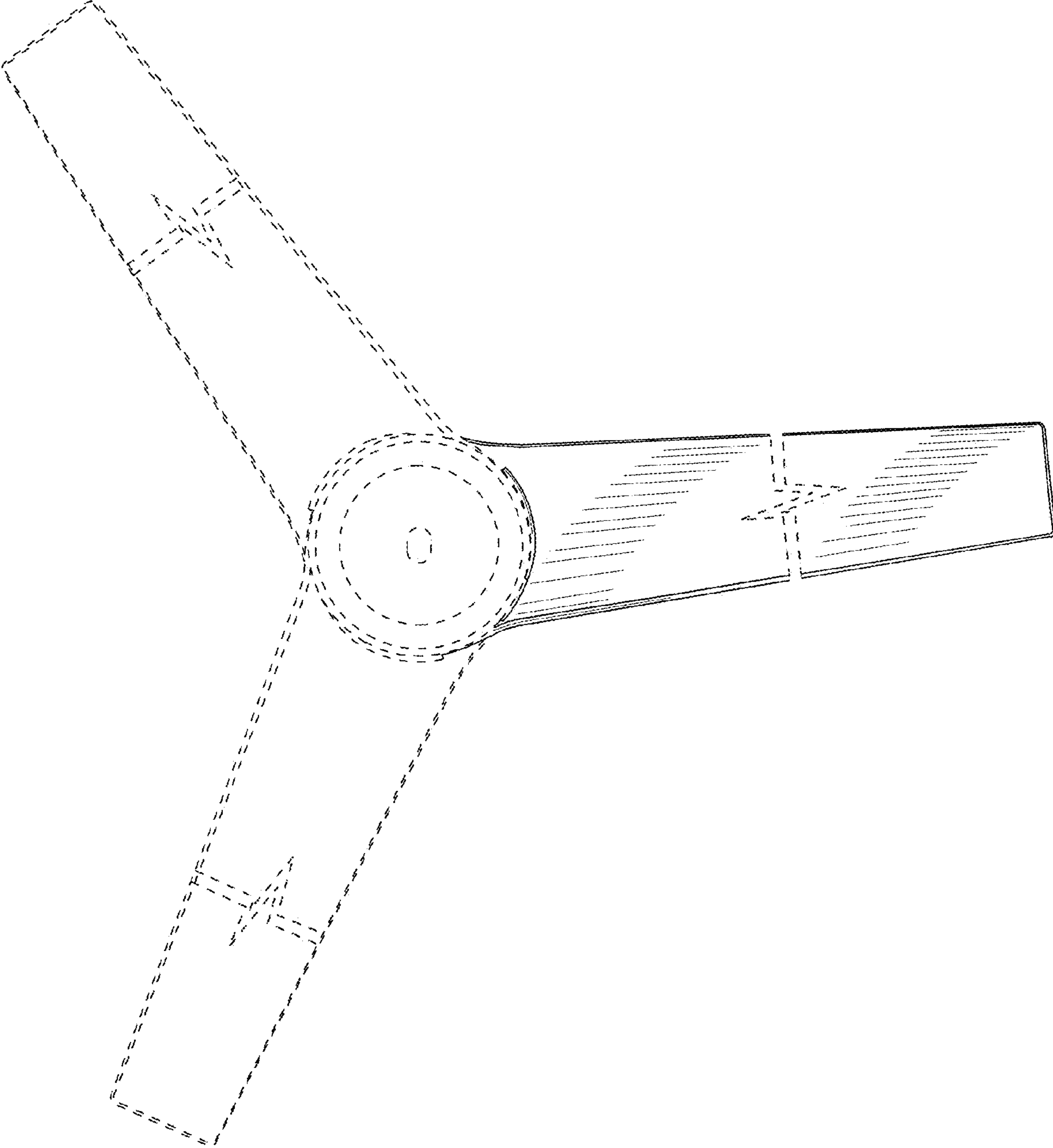


FIG. 3

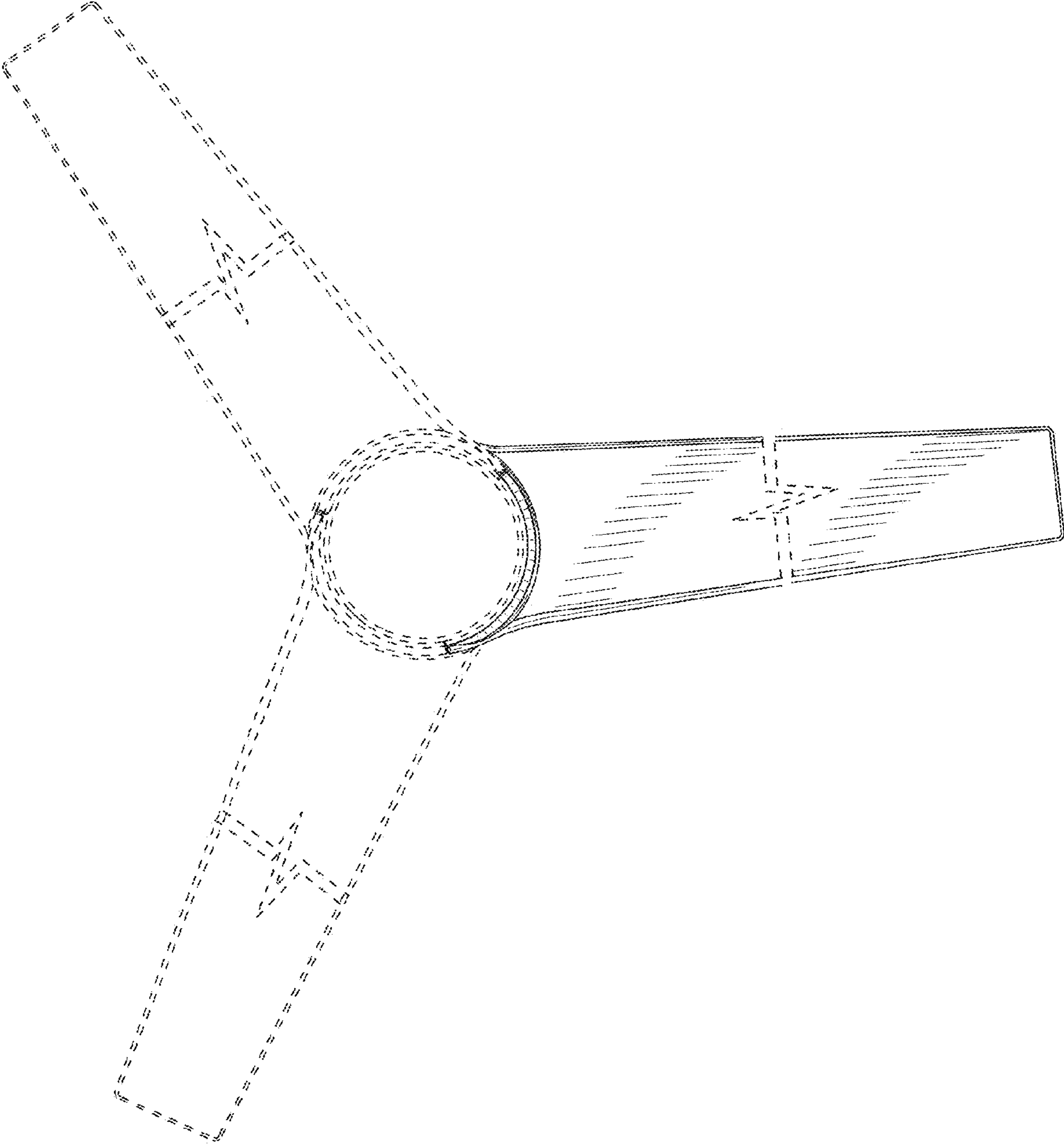


FIG. 4

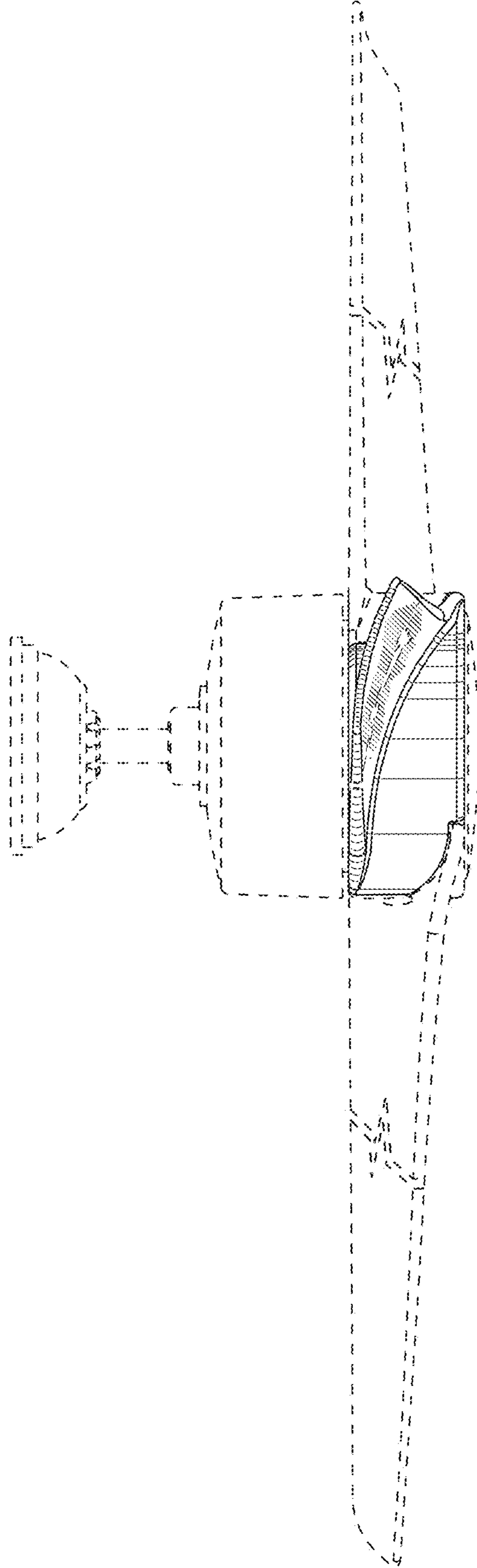


FIG. 5

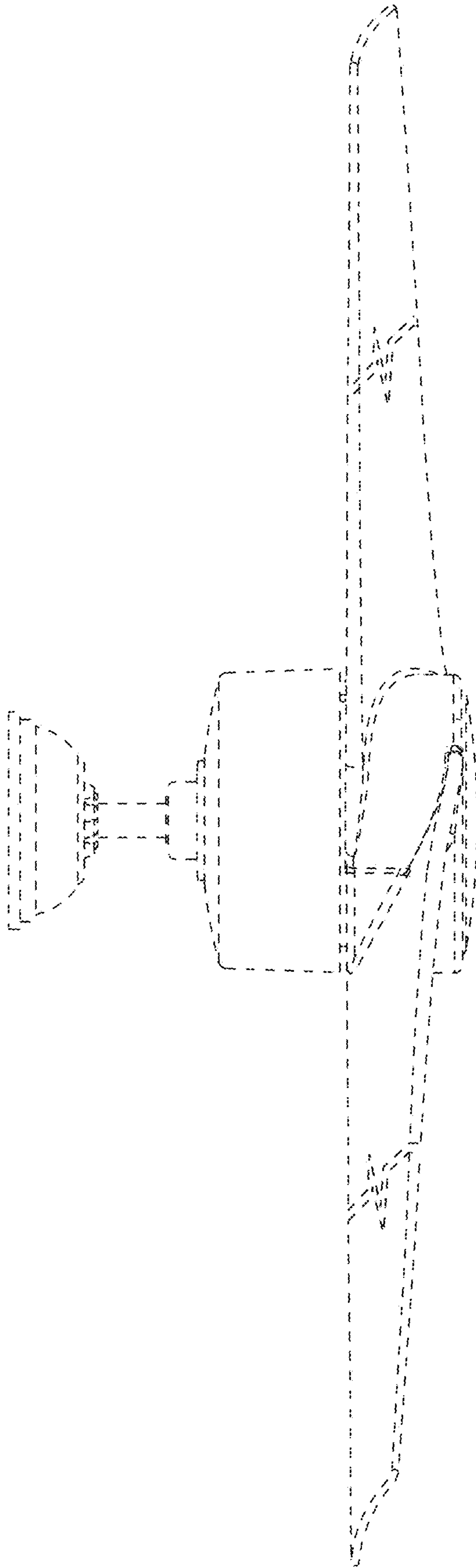


FIG. 6

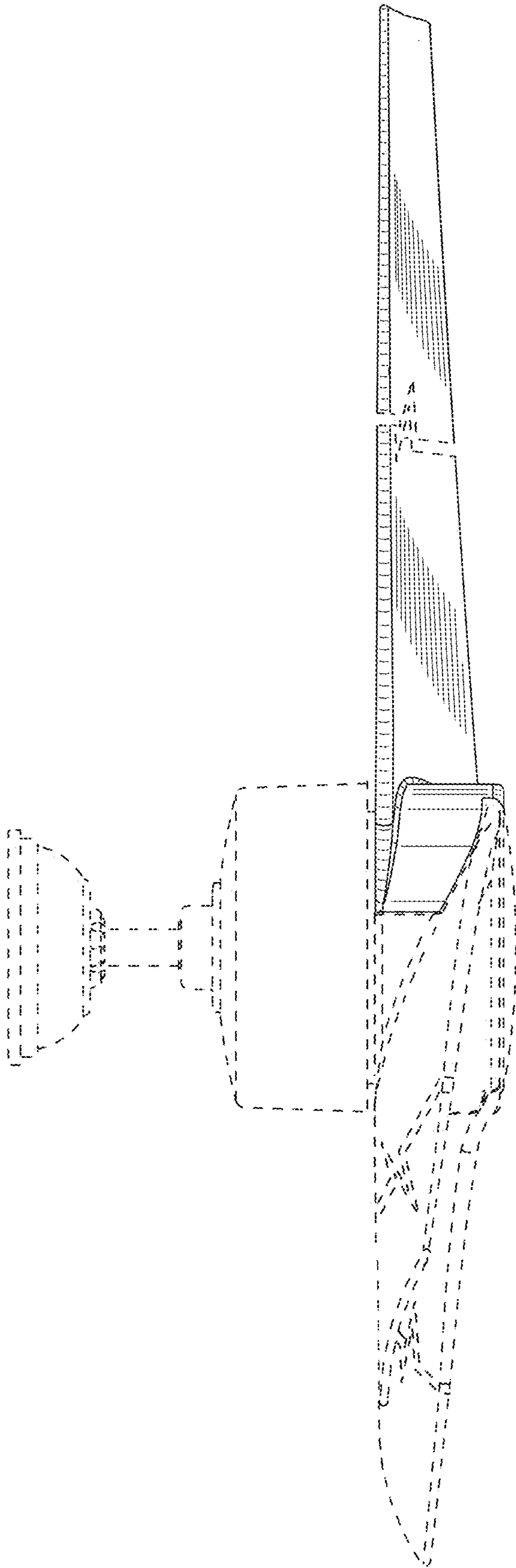


FIG. 7

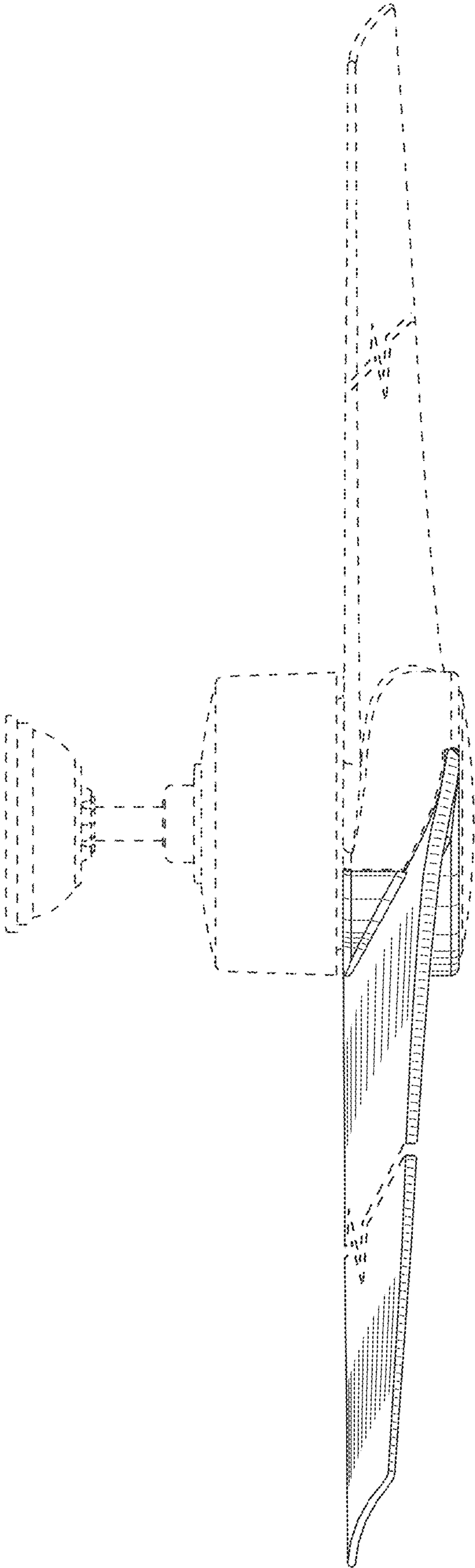


FIG. 8