



US00D935597S

(12) **United States Design Patent**
Zhao

(10) **Patent No.:** **US D935,597 S**

(45) **Date of Patent:** **** Nov. 9, 2021**

(54) **FAN LAMP**

(71) Applicant: **Dewang Zhao**, Changde (CN)

(72) Inventor: **Dewang Zhao**, Changde (CN)

(**) Term: **15 Years**

(21) Appl. No.: **29/715,501**

(22) Filed: **Dec. 3, 2019**

(30) **Foreign Application Priority Data**

Sep. 30, 2019 (CN) 201930540120.4

(51) **LOC (13) Cl.** **23-04**

(52) **U.S. Cl.**
USPC **D23/382**; D26/38; D26/59

(58) **Field of Classification Search**
USPC D23/328, 332, 333, 370, 378–383, 385,
D23/335–337, 341, 351, 352, 354,
D23/411–414, 362, 364; D26/38, 59, 63,
D26/106, 108
CPC .. F04D 25/084; F04D 25/086; F04D 25/0673;
F04D 29/646

See application file for complete search history.

(56) **References Cited**

U.S. PATENT DOCUMENTS

D276,550 S	*	11/1984	Kouno	D23/382
D539,402 S	*	3/2007	Blateri	D23/336
D548,868 S	*	8/2007	Roberge	D26/63
D586,491 S	*	2/2009	Levine	D26/63
D617,931 S	*	6/2010	Chen	D26/63
D879,283 S	*	3/2020	Liao	D23/382
D884,868 S	*	5/2020	Chen	D23/382
D885,555 S	*	5/2020	Wang	D23/382
D890,912 S	*	7/2020	Ma	D23/382
D907,188 S	*	1/2021	Zhang	D23/382
D907,189 S	*	1/2021	Zhang	D23/382

OTHER PUBLICATIONS

Amacool Portable Battery Camping Fan with LED Lantern, first available Jun. 20, 2019, site visited Mar. 13, 2021, <[* cited by examiner](https://www.amazon.com/Amacool-Portable-Battery-Camping-Lantern/dp/B07TCLB39D/ref=sr_1_2_sspa?dchild=1&keywords=camping+fan+lamp&qid=1615645470&sr=8-2-spons&psc=1&smid=A1Q33DIPFE7PSF&spLa=ZW5jcnlwdGVkUXVhbGlmaWVyPUFVOFc4VDJYWUIJRkMmZW5jcnlwdGVkSWQ9QTA4MDIzMTEzT1A3SFRRUEZHVVVLJmVuY3J5cHRIZEFkSWQ9QTA4NTUwMTNJTFFFWDNWRzk3MFUmd2lkZ2V0TmFtZT1zcF9hdGYmYWw0aW9uPWNsaWNrUmVkaXJlY3QmZG9Ob3RMb2dDbGljaZl0cnVI>.*</p></div>
<div data-bbox=)

Primary Examiner — Lilyana Bekic
Assistant Examiner — Sharon S Oum
(74) *Attorney, Agent, or Firm* — W&K IP

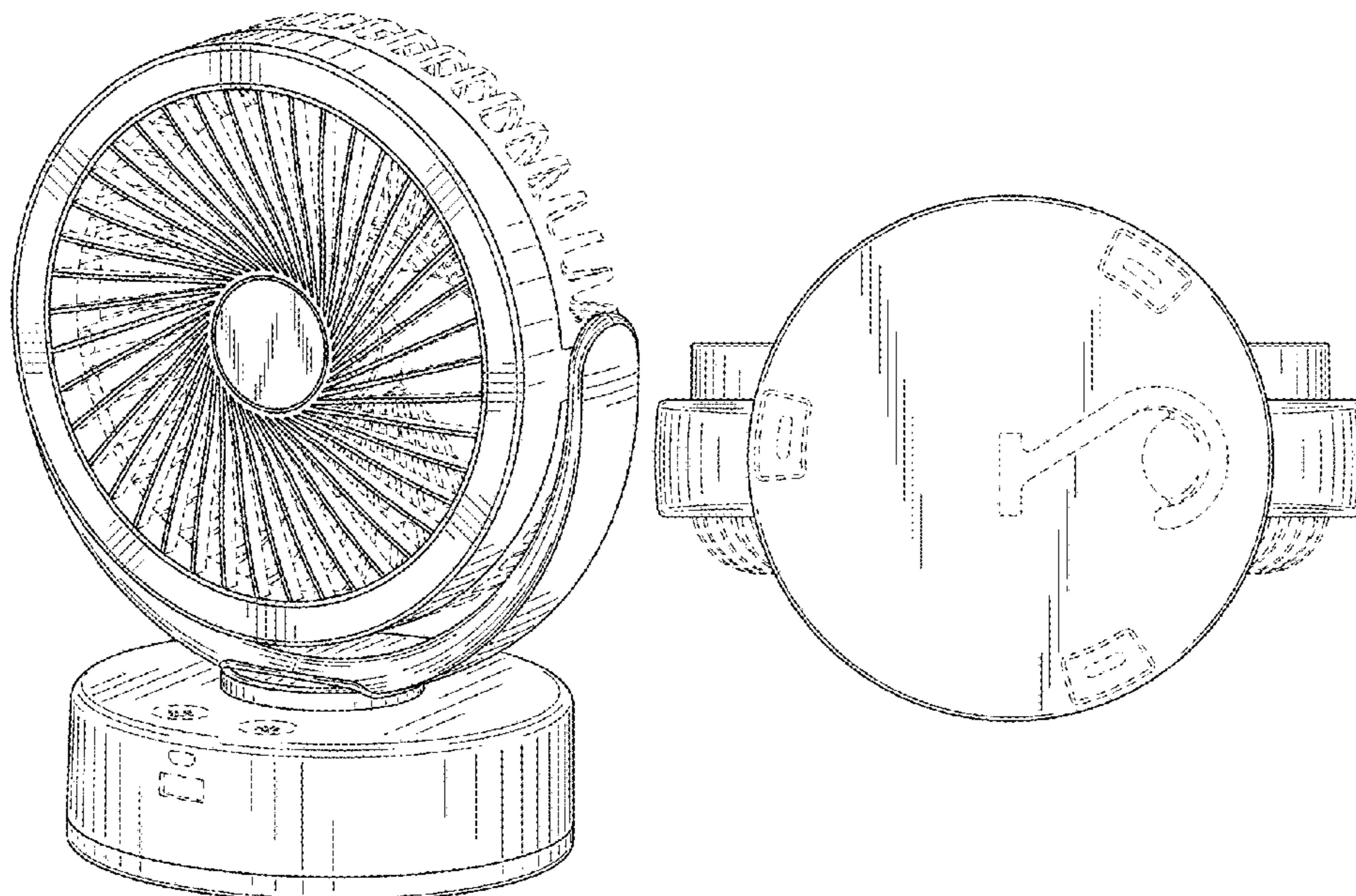
(57) **CLAIM**

The ornamental design for a fan lamp, as shown and described.

DESCRIPTION

FIG. 1 is a perspective view of a fan lamp, showing my new design;
FIG. 2 is a front elevational view thereof;
FIG. 3 is a rear elevational view thereof;
FIG. 4 is a left elevational view thereof;
FIG. 5 is a right elevational view thereof;
FIG. 6 is a top plan view thereof; and,
FIG. 7 is a bottom plan view thereof.
The evenly broken lines where present illustrate portions of the fan lamp that form no part of the claimed design.

1 Claim, 7 Drawing Sheets



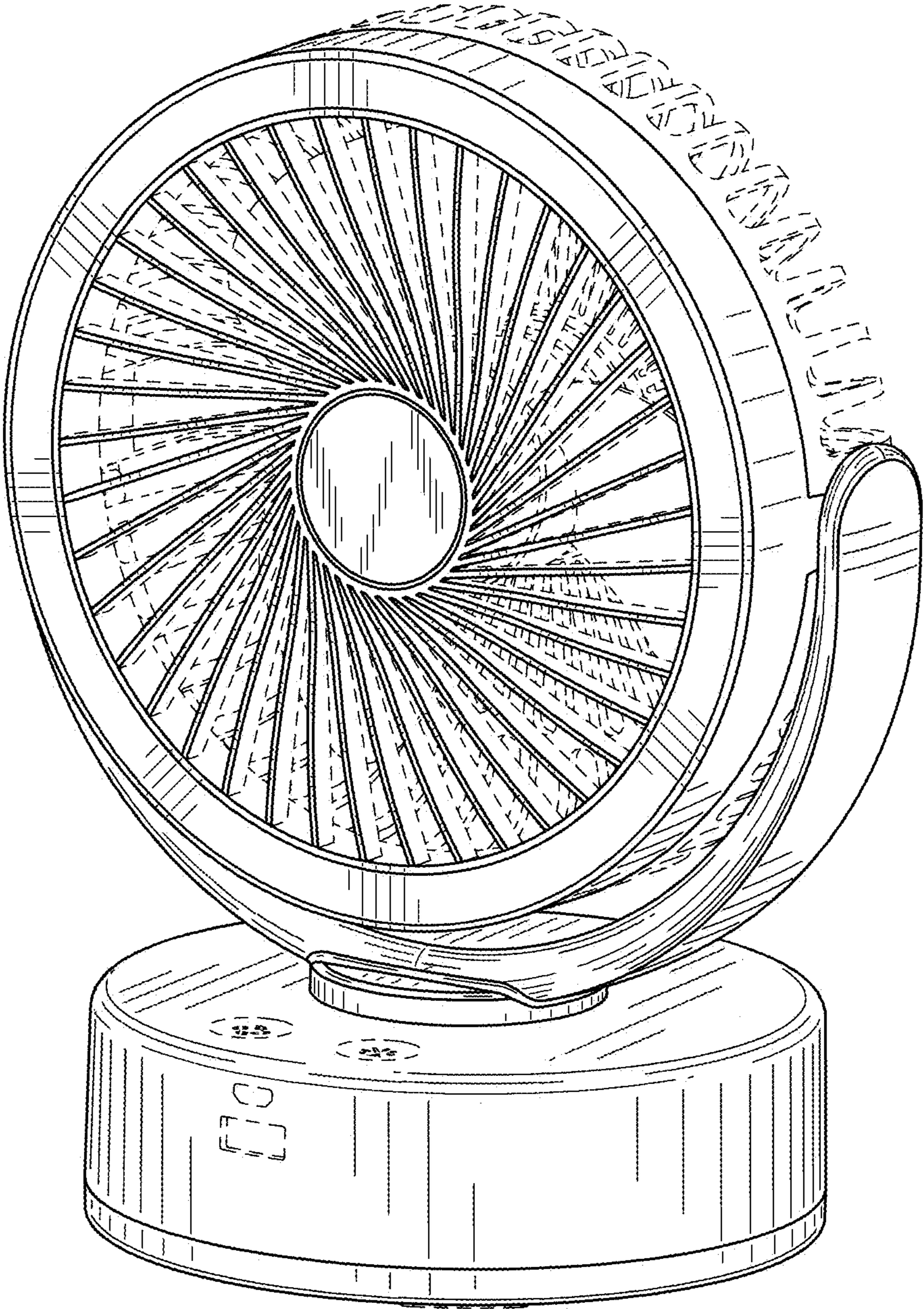


FIG. 1

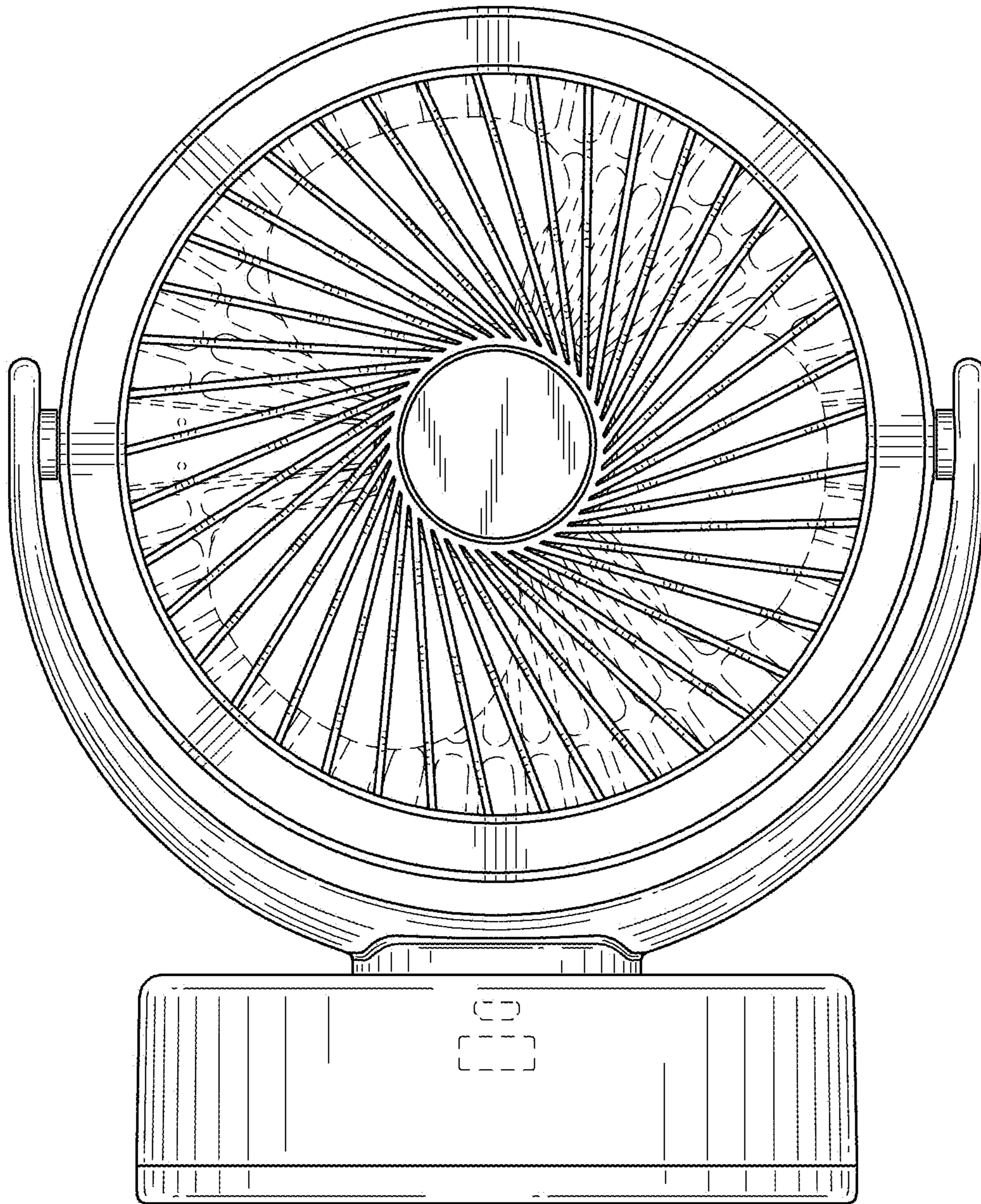


FIG. 2

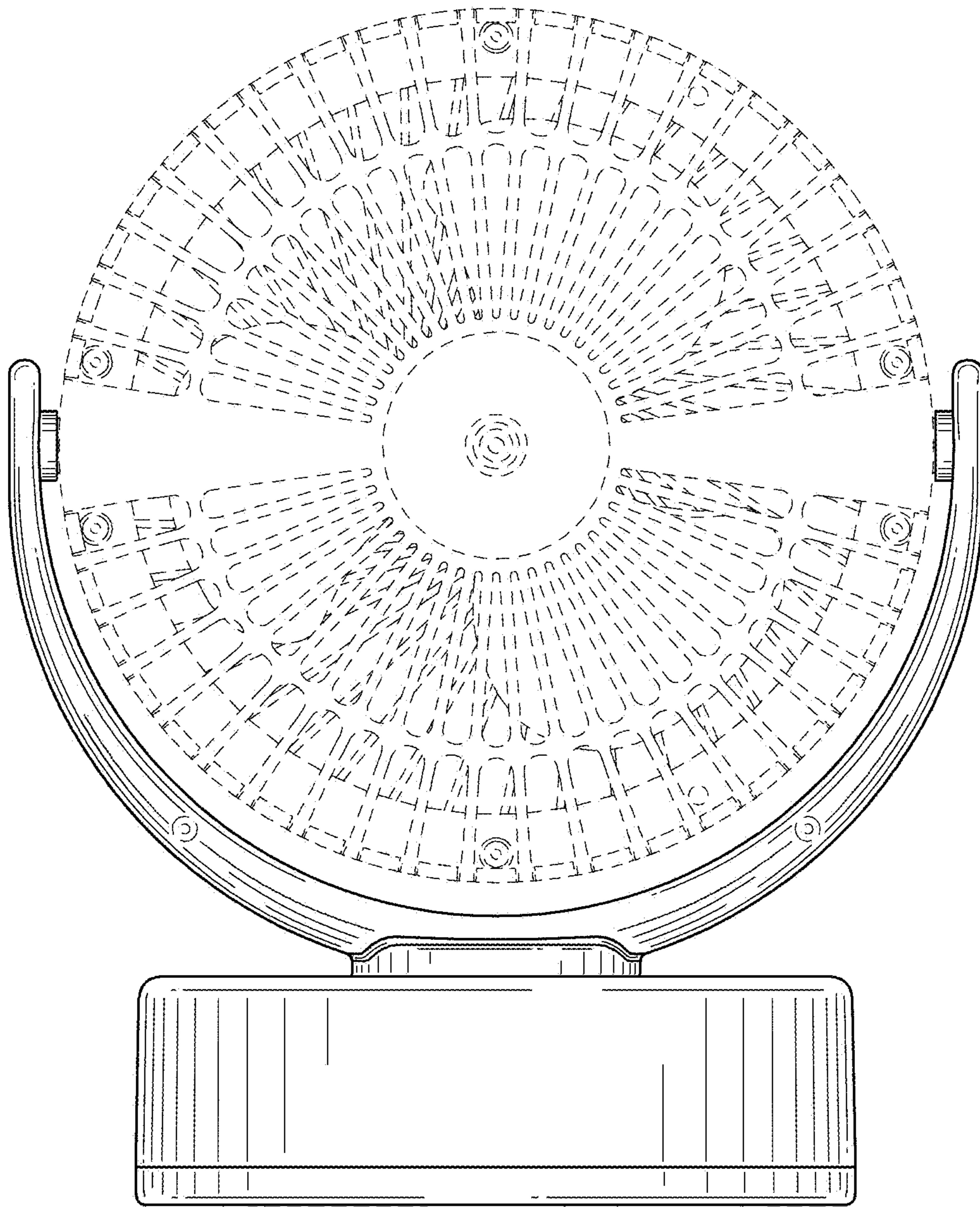


FIG. 3

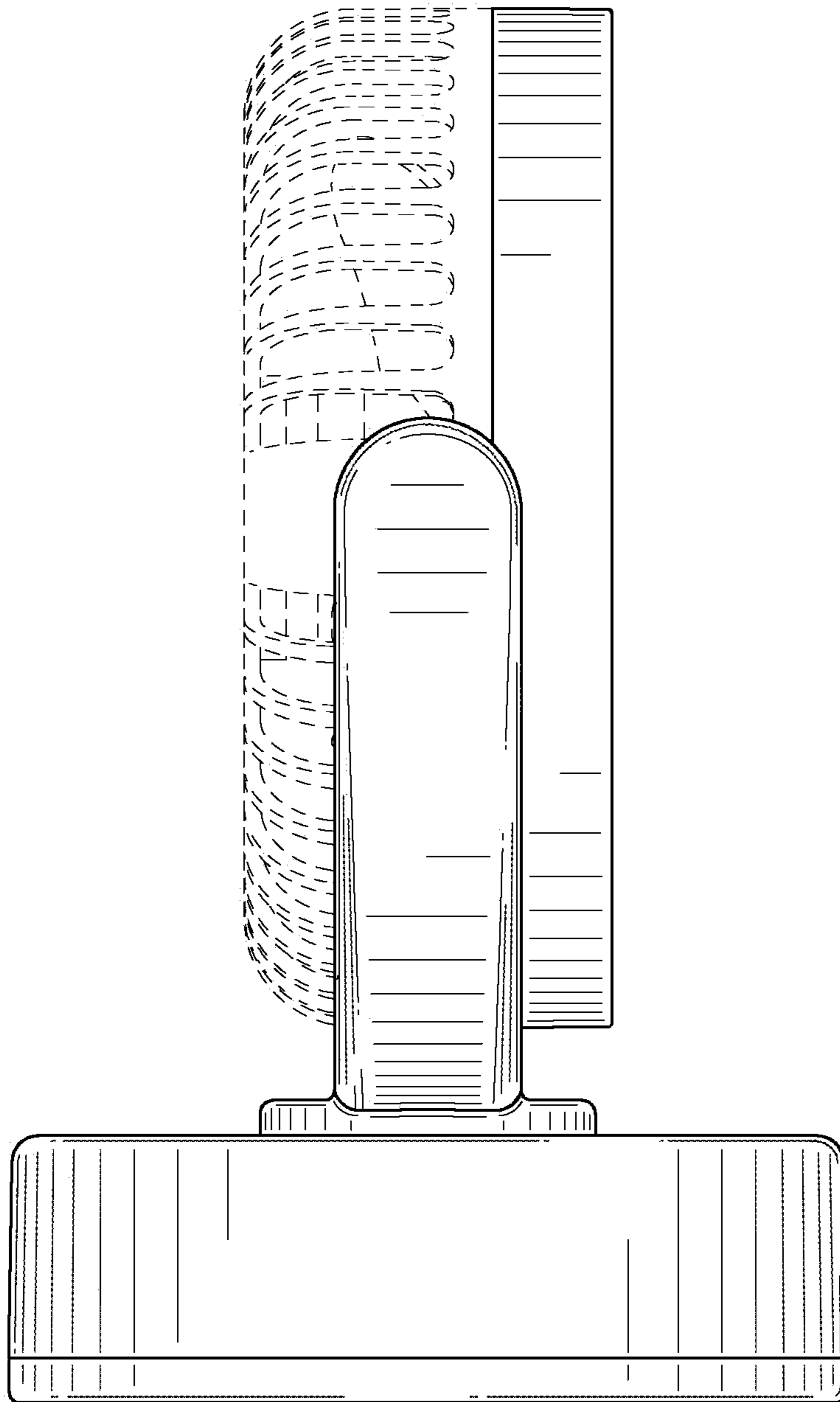


FIG. 4

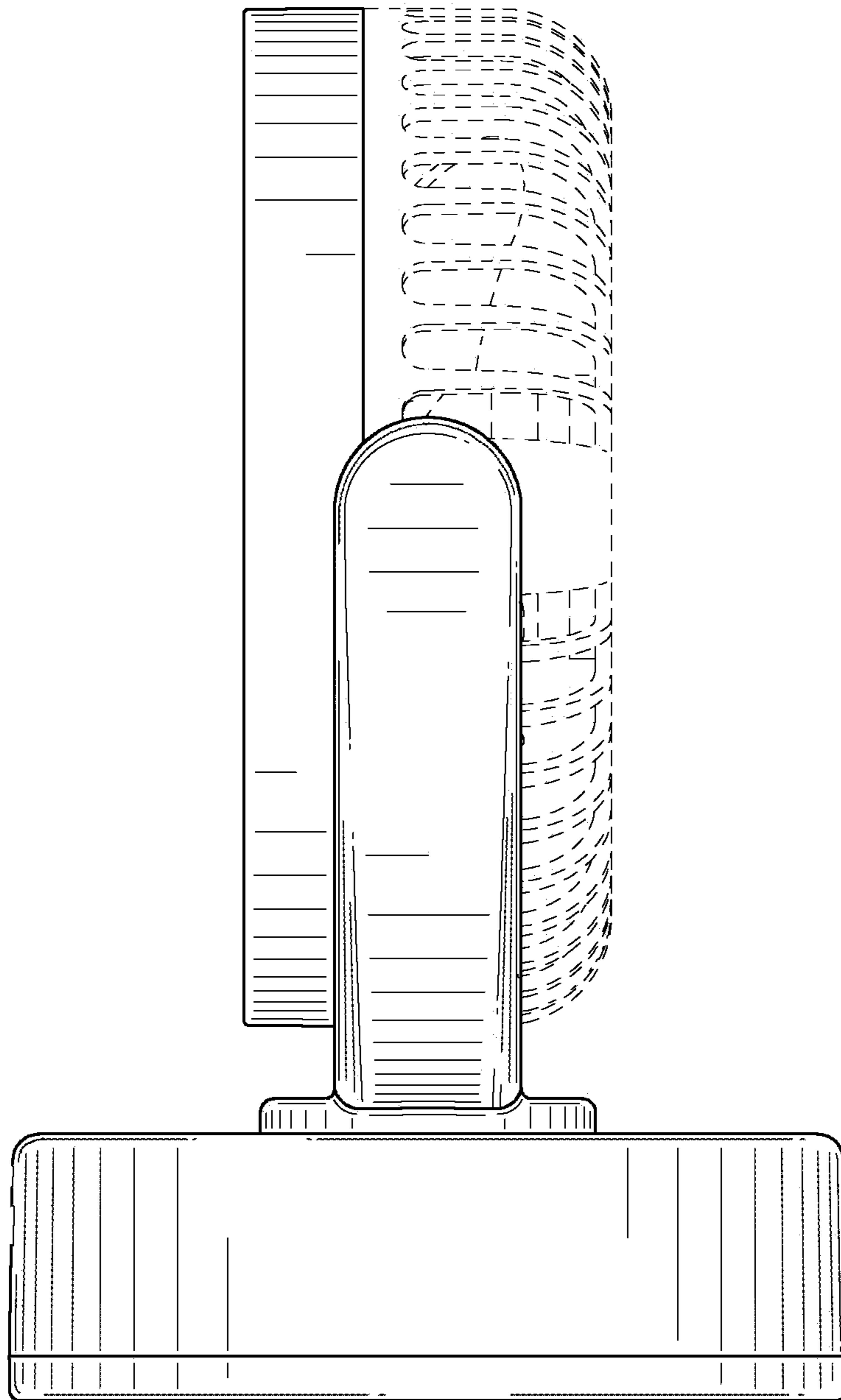


FIG. 5

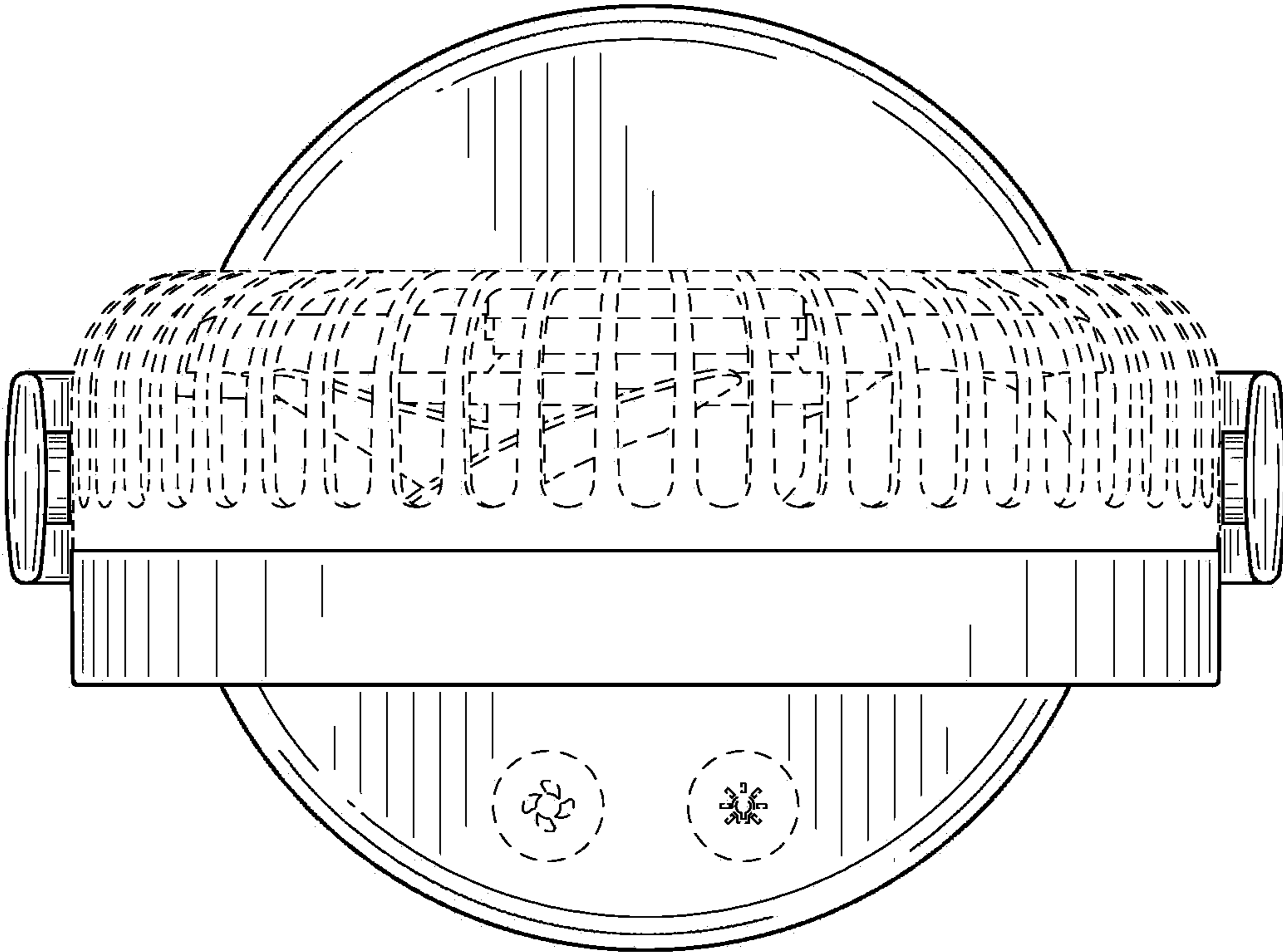


FIG. 6

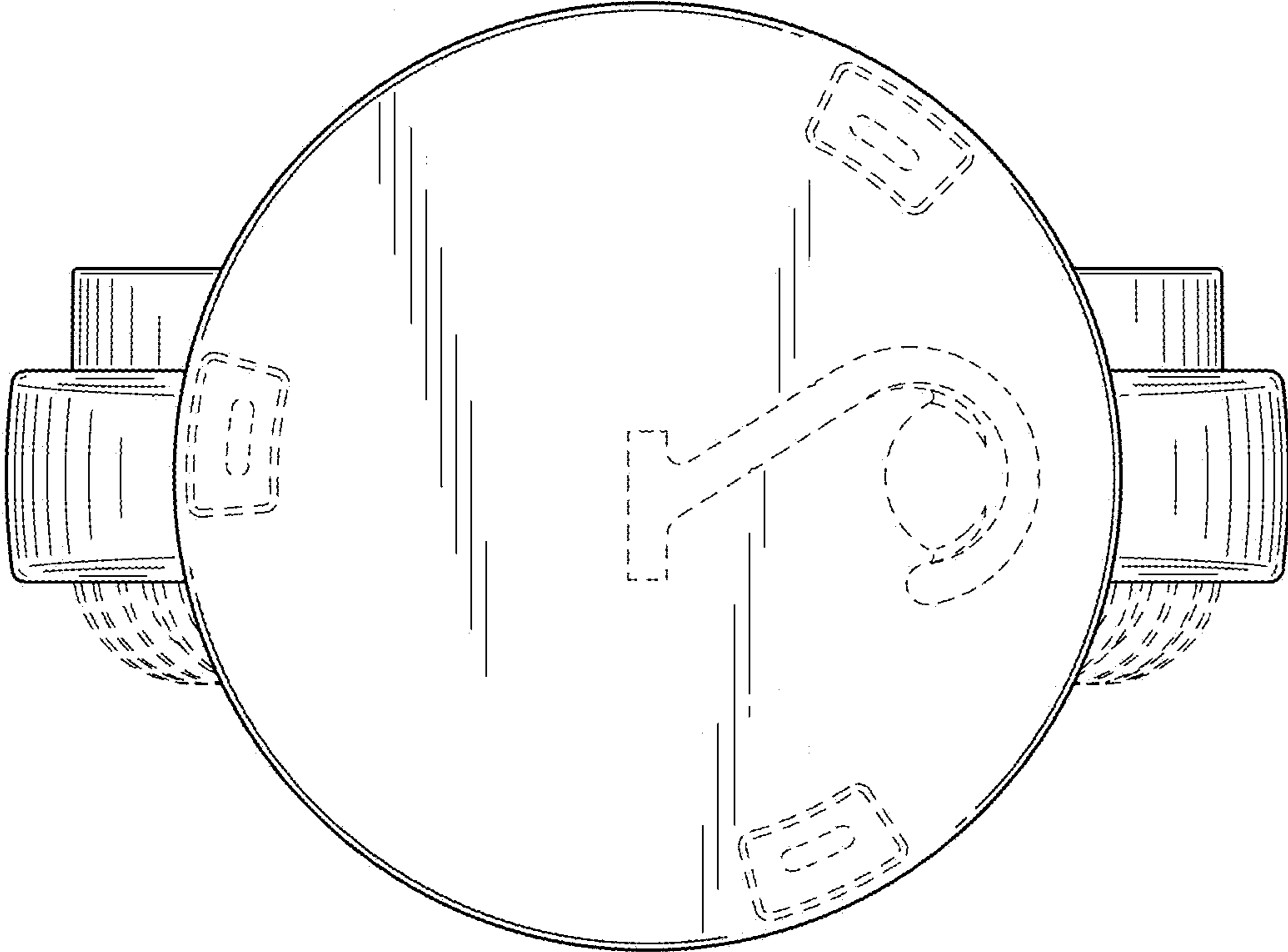


FIG. 7