



US00D935596S

(12) **United States Design Patent** (10) **Patent No.:** **US D935,596 S**
Sakamoto (45) **Date of Patent:** **** Nov. 9, 2021**

(54) **AIR CIRCULATOR**
(71) Applicant: **Iris Ohyama Inc.**, Sendai (JP)
(72) Inventor: **Masaharu Sakamoto**, Kakuda (JP)
(73) Assignee: **IRIS OHYAMA INC.**, Sendai (JP)
(**) Term: **15 Years**

D553,719 S * 10/2007 Blateri D23/337
D605,280 S * 12/2009 Chen D23/382
D680,211 S * 4/2013 Birdsell D23/378
D692,996 S * 11/2013 Alexander D23/370
D872,253 S * 1/2020 Sakamoto D23/382
D872,254 S * 1/2020 Sakamoto D23/382
D888,222 S * 6/2020 Wang D23/378
10,859,287 B2 * 12/2020 Yamamoto F04D 29/544
D907,759 S * 1/2021 Sakamoto D23/412
2020/0208871 A1 * 7/2020 Yamamoto F24F 7/007

* cited by examiner

(21) Appl. No.: **29/685,936**
(22) Filed: **Apr. 1, 2019**

Primary Examiner — Sharon S Oum
(74) *Attorney, Agent, or Firm* — Studebaker & Brackett PC

(30) **Foreign Application Priority Data**

Oct. 4, 2018 (JP) 2018-021790

(51) **LOC (13) Cl.** **23-04**
(52) **U.S. Cl.**
USPC **D23/382**

(57) **CLAIM**

The ornamental design for an air circulator, as shown and described.

(58) **Field of Classification Search**
USPC D23/332, 333, 335–337, 364, 370, 378,
D23/379, 381–383, 380, 411–412
CPC F24H 3/0417; F04D 29/48; F04D 25/08;
F04D 29/38; F04D 29/384; F04D 29/386
See application file for complete search history.

DESCRIPTION

FIG. 1 is a front, top and right-side perspective view of an air circulator showing my new design;
FIG. 2 is a front view thereof;
FIG. 3 is a rear view thereof;
FIG. 4 is a top view thereof;
FIG. 5 is a bottom view thereof;
FIG. 6 is a right-side view thereof;
FIG. 7 is a left-side view thereof; and,
FIG. 8 is a rear, top and left-side perspective view thereof.
The broken lines shown represent portions of the air circulator and form no part of the claimed design.

(56) **References Cited**

U.S. PATENT DOCUMENTS

D218,429 S * 8/1970 Yotsukura D23/382
D354,558 S * 1/1995 Marvin D23/332
D413,664 S * 9/1999 Keller D23/381
D447,552 S * 9/2001 Lee D23/382
D538,417 S * 3/2007 Blateri D23/337
D545,953 S * 7/2007 Chien D23/342

1 Claim, 8 Drawing Sheets

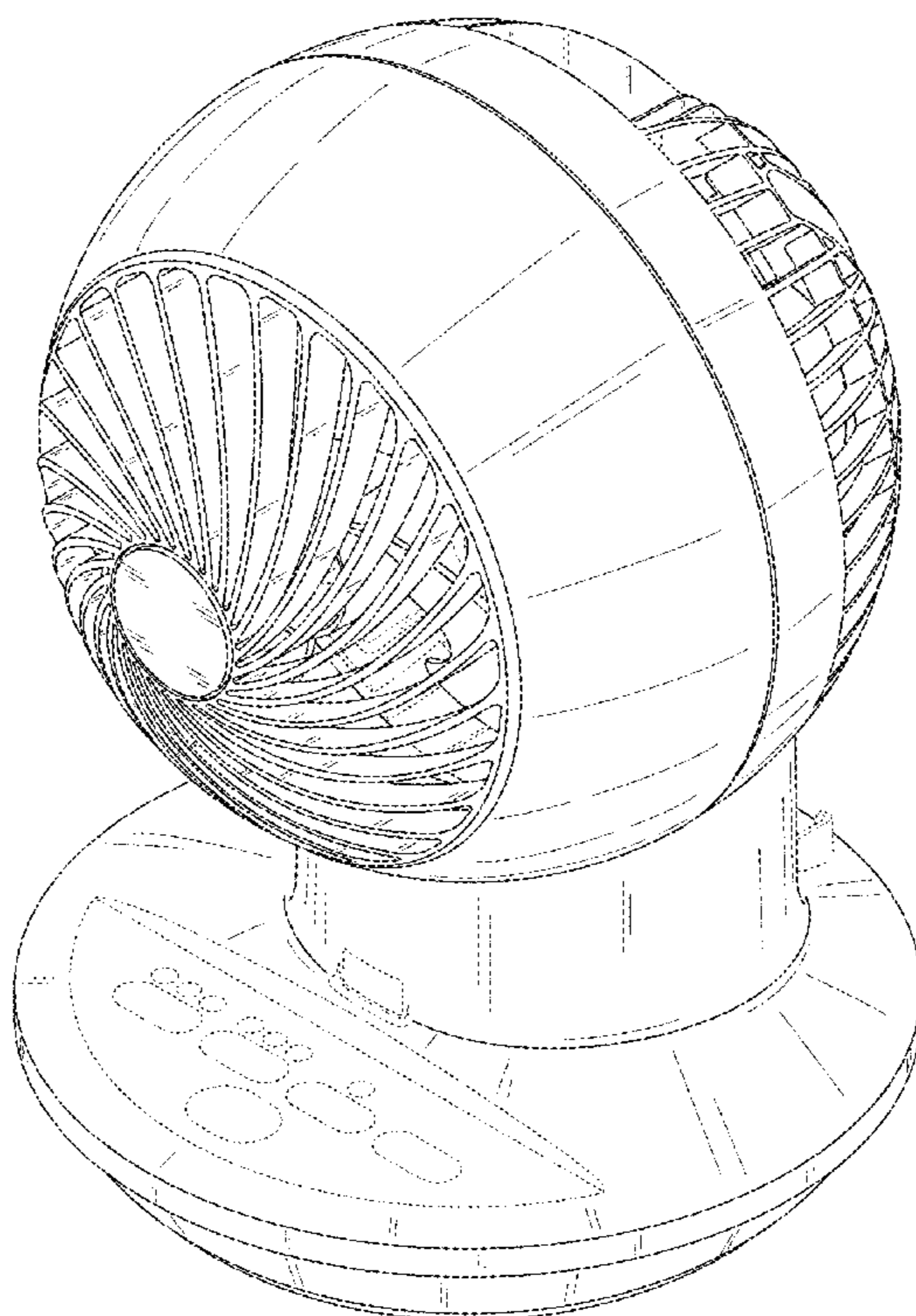


FIG.1

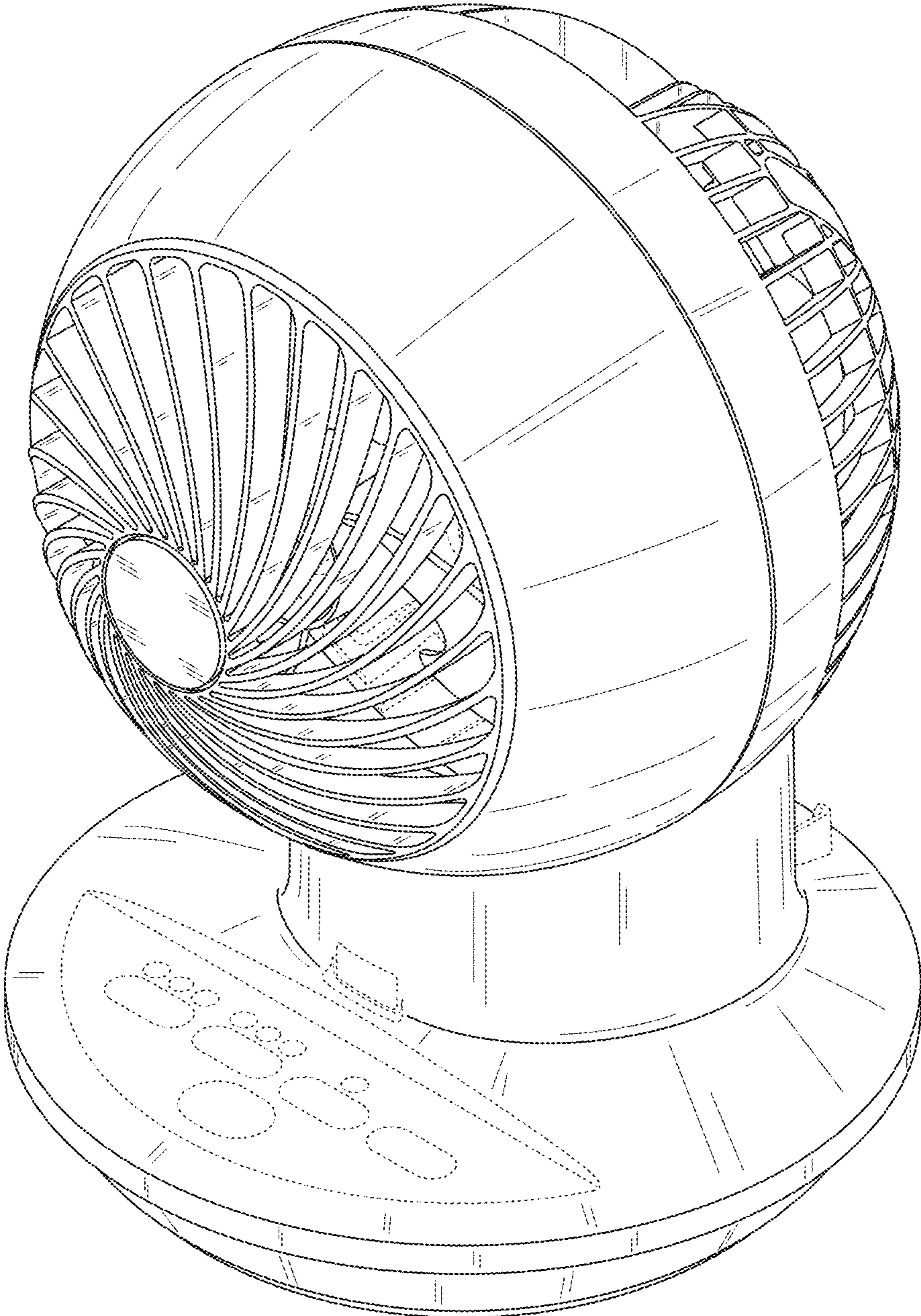


FIG.2

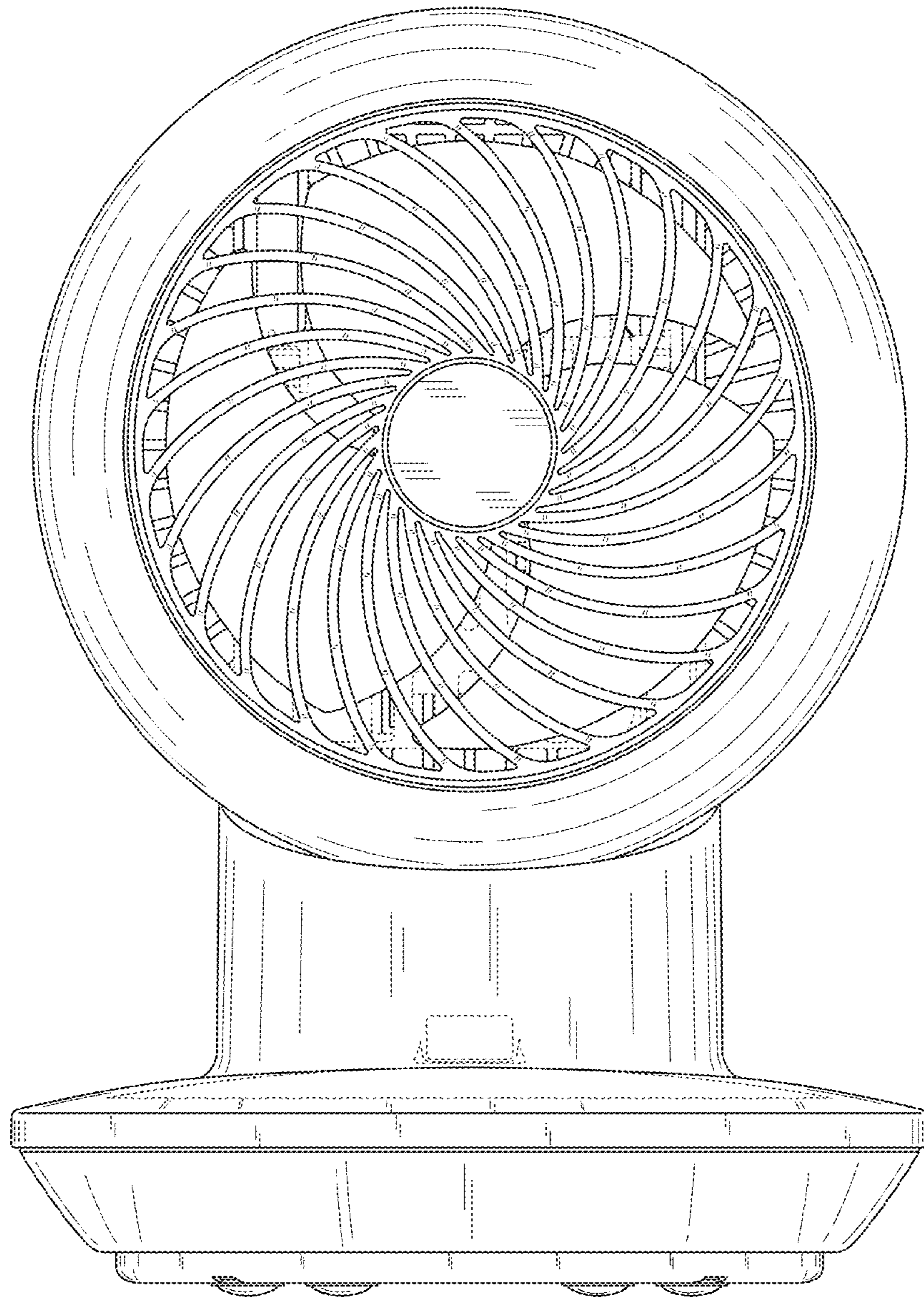


FIG.3

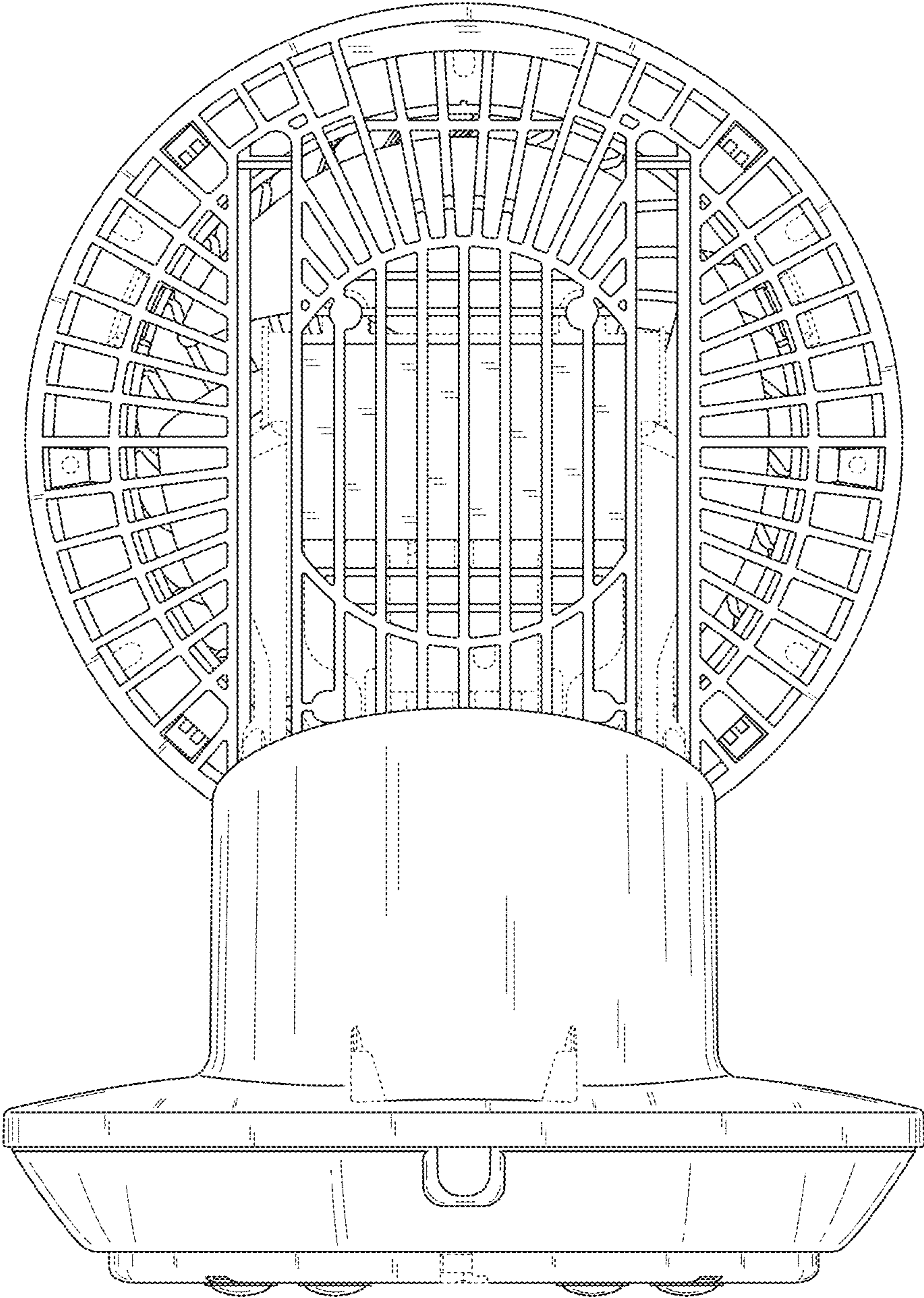


FIG.4

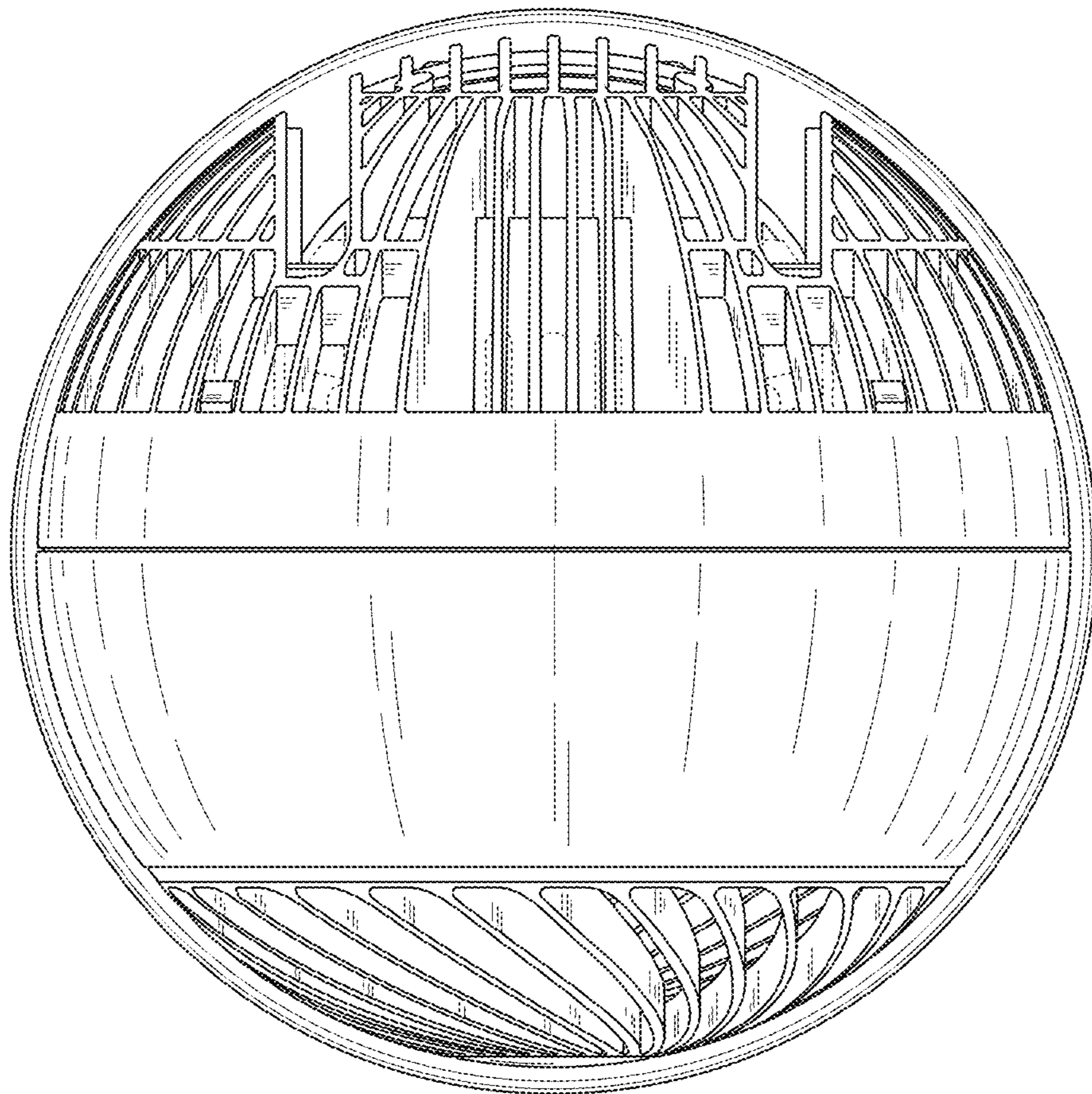


FIG.5

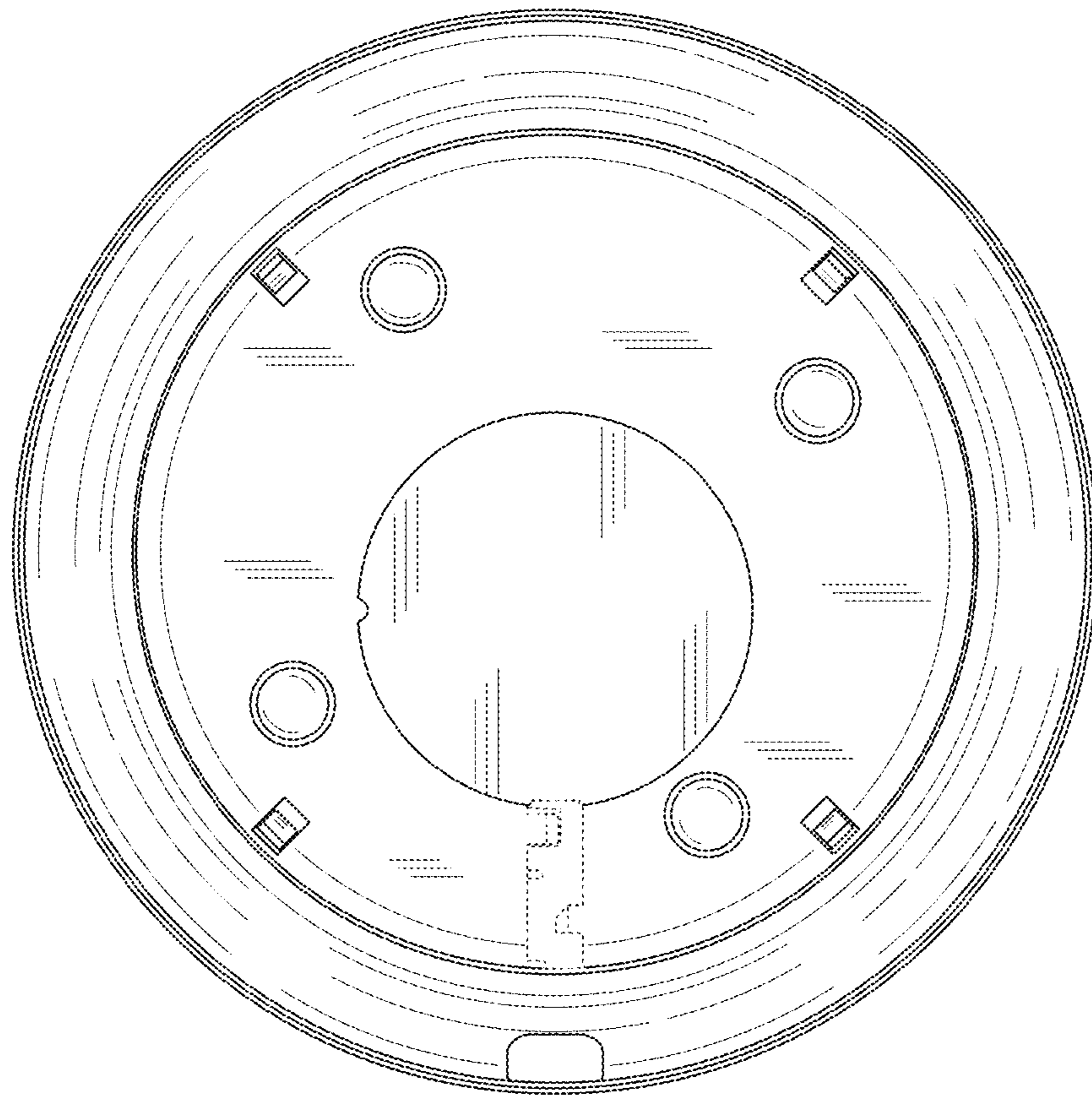


FIG.6

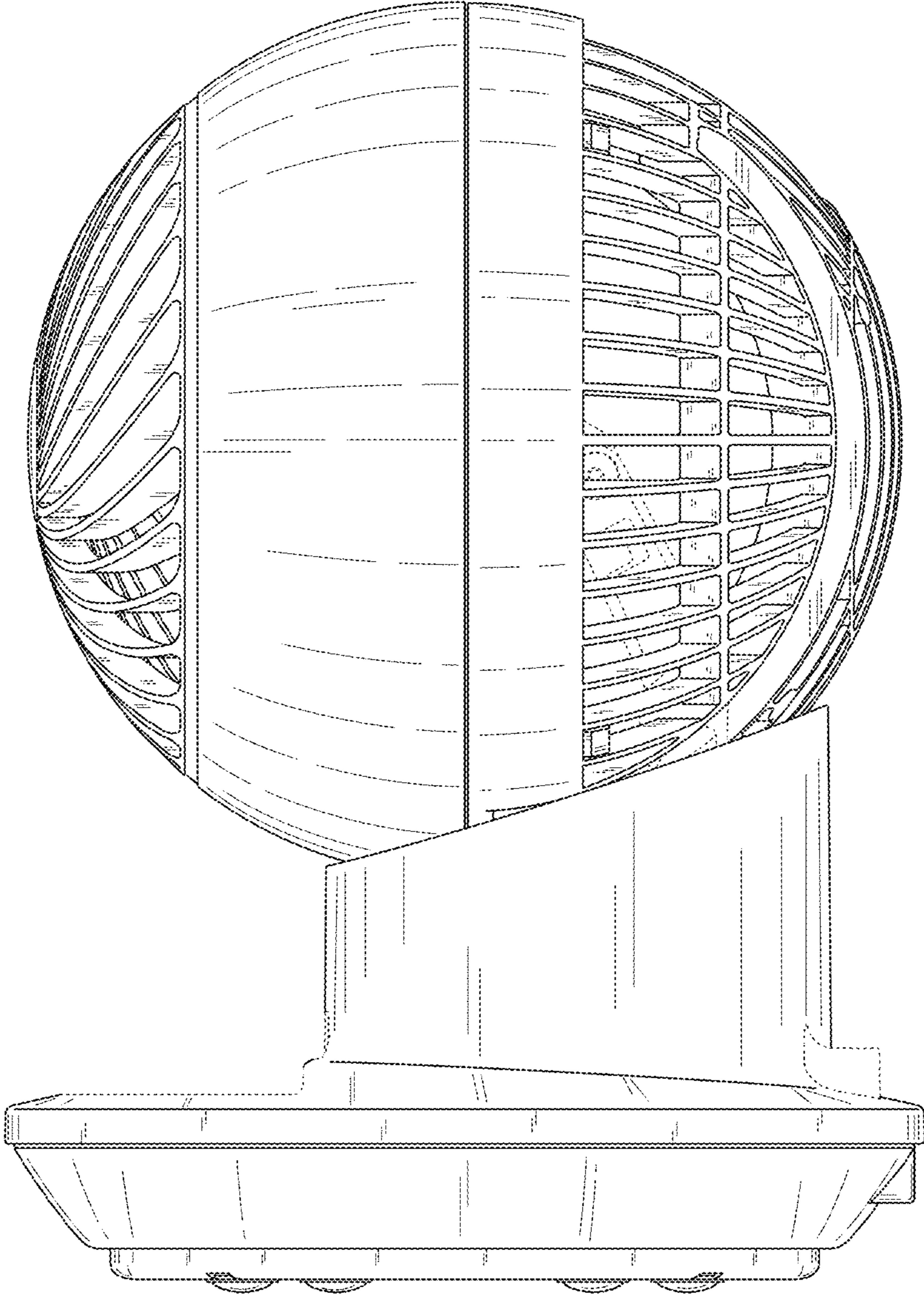


FIG. 7

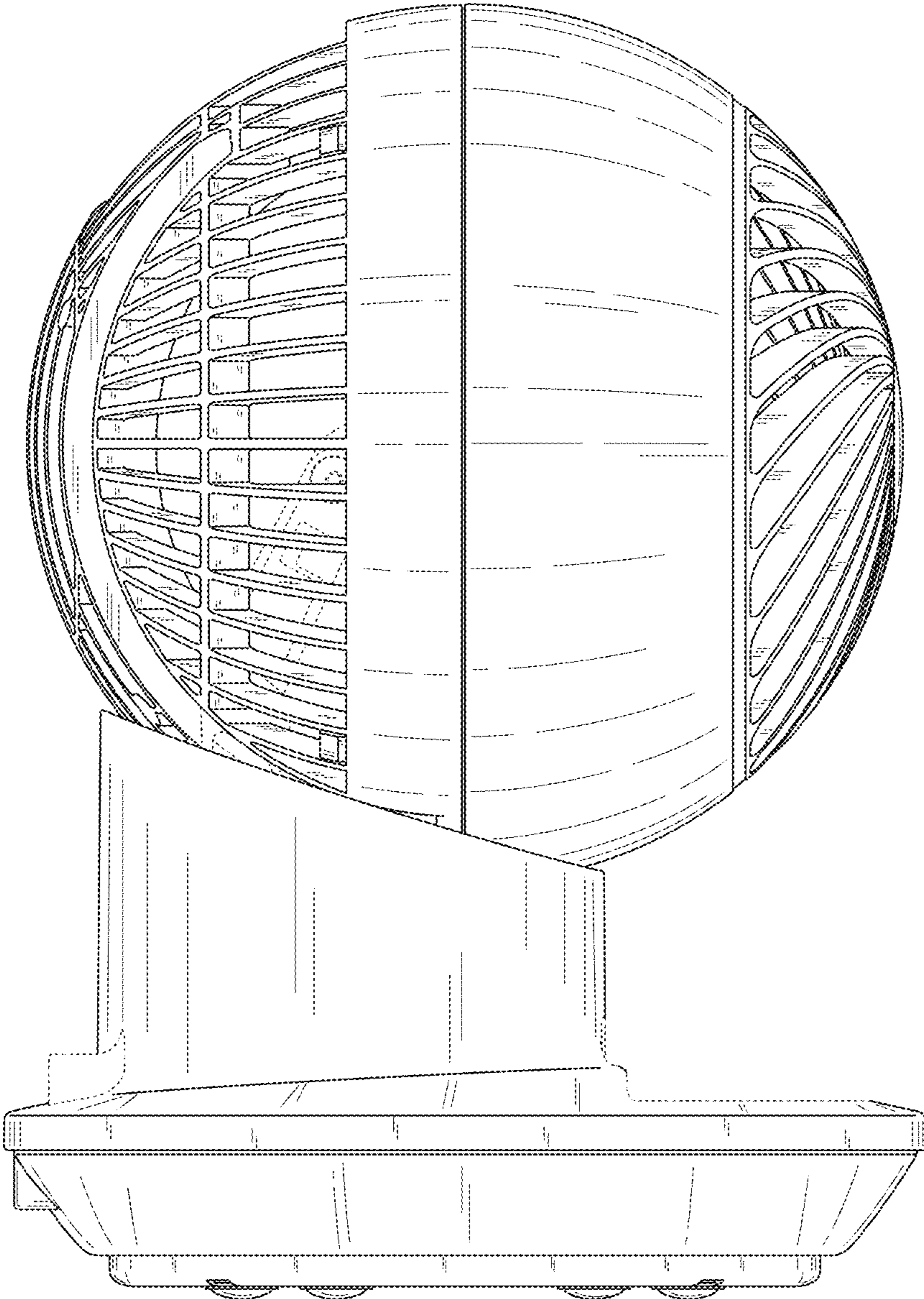


FIG.8

