



US00D935595S

(12) **United States Design Patent**
Sakamoto

(10) **Patent No.:** **US D935,595 S**

(45) **Date of Patent:** **** Nov. 9, 2021**

(54) **AIR CIRCULATOR**

(71) Applicant: **Iris Ohyama Inc.**, Sendai (JP)

(72) Inventor: **Masaharu Sakamoto**, Kakuda (JP)

(73) Assignee: **IRIS OHYAMA INC.**, Sendai (JP)

(**) Term: **15 Years**

(21) Appl. No.: **29/685,927**

(22) Filed: **Apr. 1, 2019**

(30) **Foreign Application Priority Data**

Oct. 3, 2018 (JP) 2018-021749

(51) **LOC (13) Cl.** **23-04**

(52) **U.S. Cl.**
USPC **D23/382**

(58) **Field of Classification Search**

USPC D23/332, 333, 335-337, 364, 370, 378,
D23/379, 381-383, 380, 411-412

CPC F24H 3/0417; F04D 29/48; F04D 25/08;
F04D 29/38; F04D 29/384; F04D 29/386

See application file for complete search history.

(56) **References Cited**

U.S. PATENT DOCUMENTS

D218,429 S * 8/1970 Yotsukura D23/382
D354,558 S * 1/1995 Marvin D23/332
D413,664 S * 9/1999 Keller D23/381
D447,552 S * 9/2001 Lee D23/382

D538,417 S * 3/2007 Blateri D23/337
D545,953 S * 7/2007 Chien D23/342
D553,719 S * 10/2007 Blateri D23/337
D605,280 S * 12/2009 Chen D23/382
D680,211 S * 4/2013 Birdsell D23/378
D692,996 S * 11/2013 Alexander D23/370
D872,253 S * 1/2020 Sakamoto D23/382
D872,254 S * 1/2020 Sakamoto D23/382
10,859,287 B2 * 12/2020 Yamamoto F04D 29/544
D907,759 S * 1/2021 Sakamoto D23/412
2020/0208871 A1 * 7/2020 Yamamoto F24F 7/007

* cited by examiner

Primary Examiner — Sharon S Oum

(74) *Attorney, Agent, or Firm* — Studebaker & Brackett
PC

(57) **CLAIM**

The ornamental design for an air circulator, as shown and described.

DESCRIPTION

FIG. 1 is a front, top and right-side perspective view of an air circulator showing my new design; FIG. 2 is a front view thereof; FIG. 3 is a rear view thereof; FIG. 4 is a top view thereof; FIG. 5 is a bottom view thereof; FIG. 6 is a right-side view thereof; FIG. 7 is a left-side view thereof; and, FIG. 8 is a rear, top and left-side perspective view thereof. The broken lines shown represent portions of the air circulator and form no part of the claimed design.

1 Claim, 8 Drawing Sheets

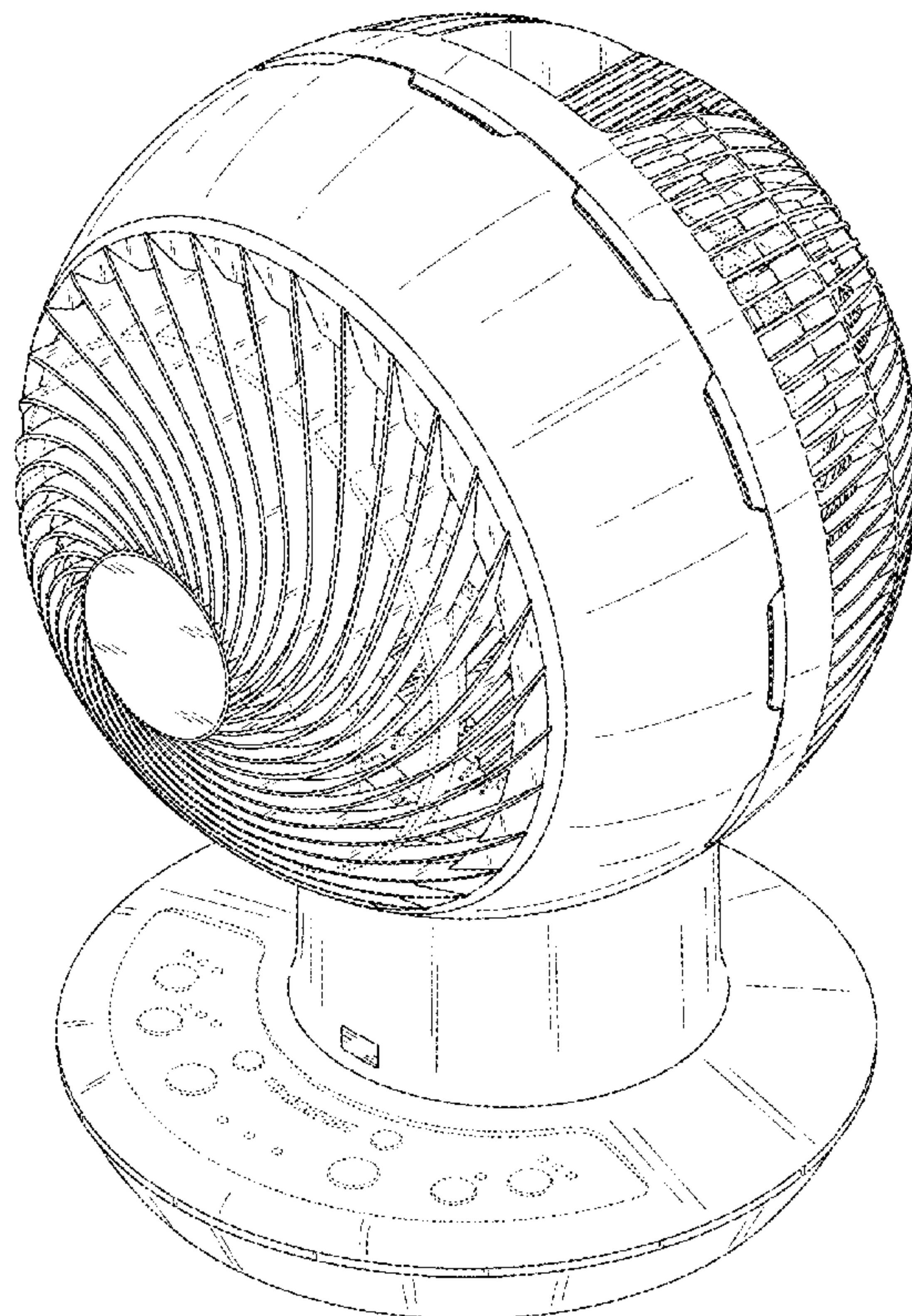


FIG. 1

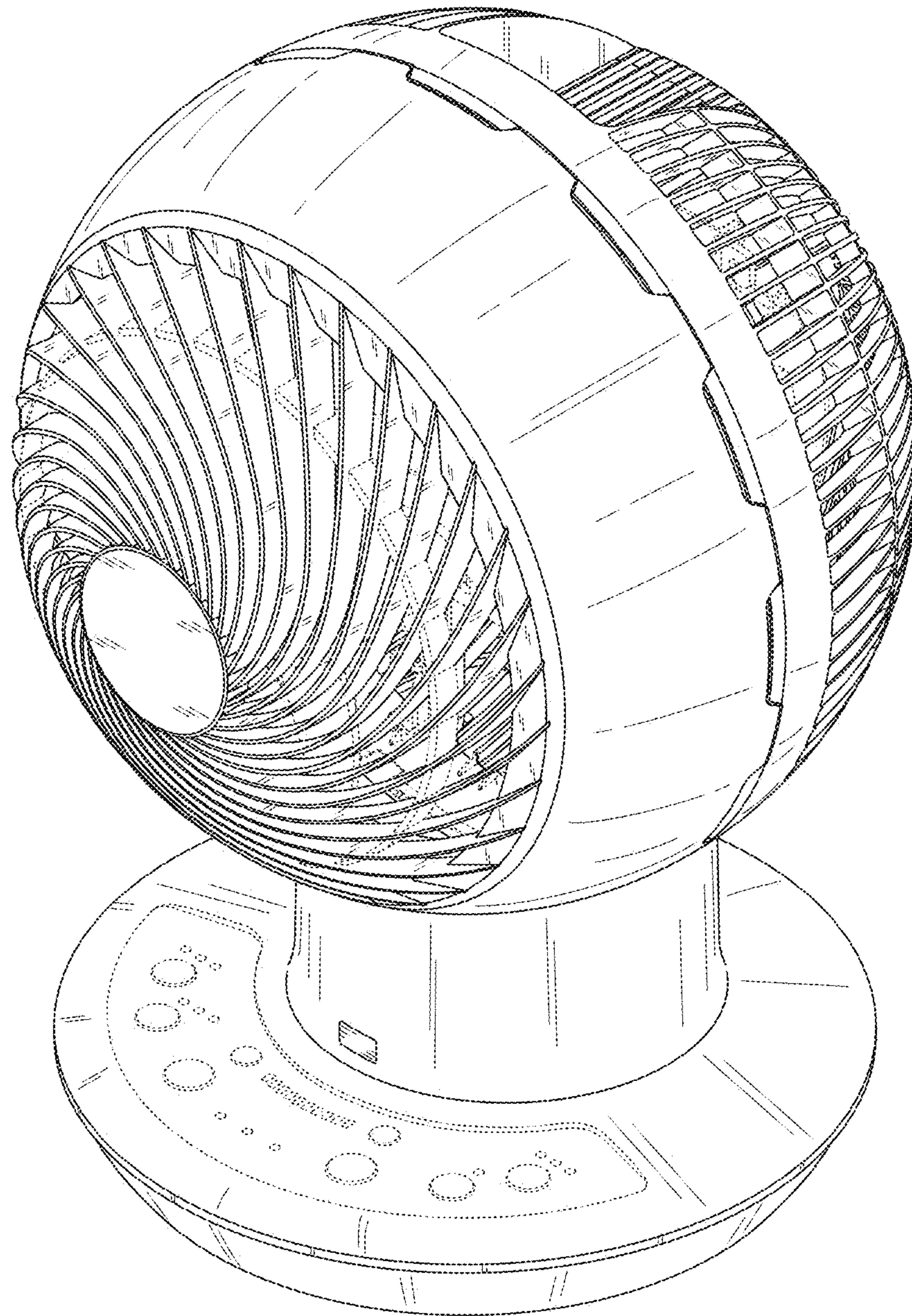


FIG.2

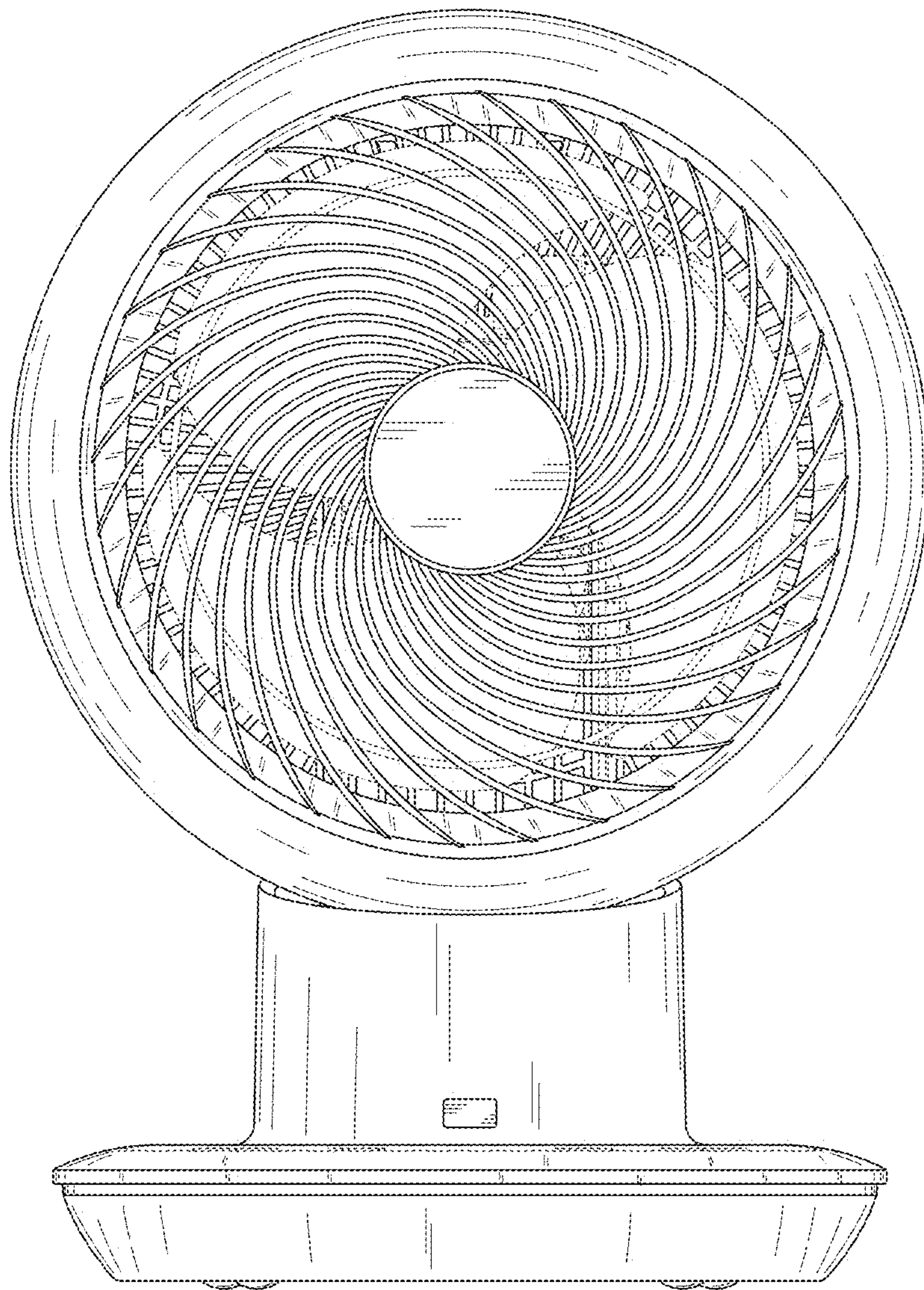


FIG.3

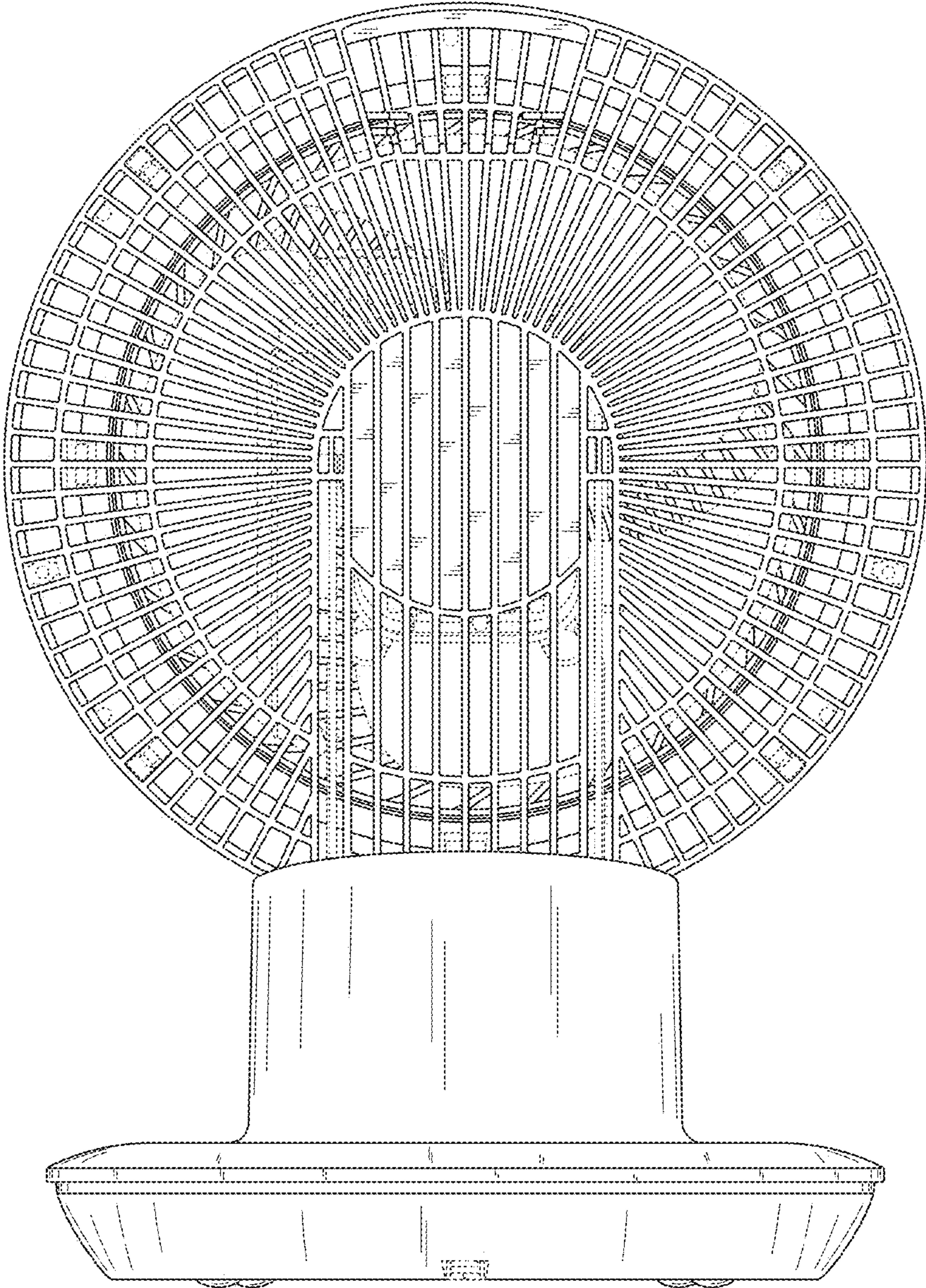


FIG.4

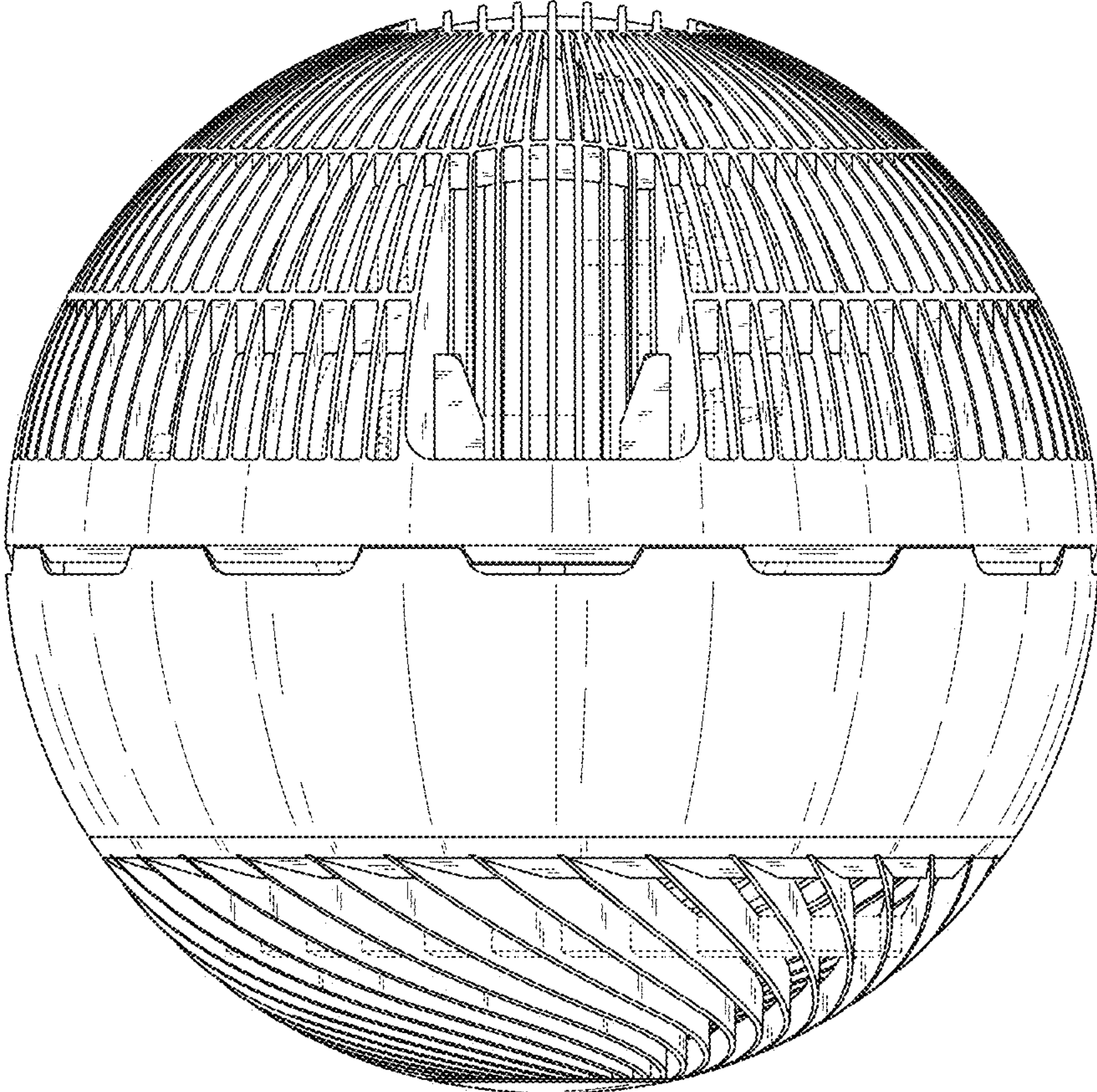


FIG.5

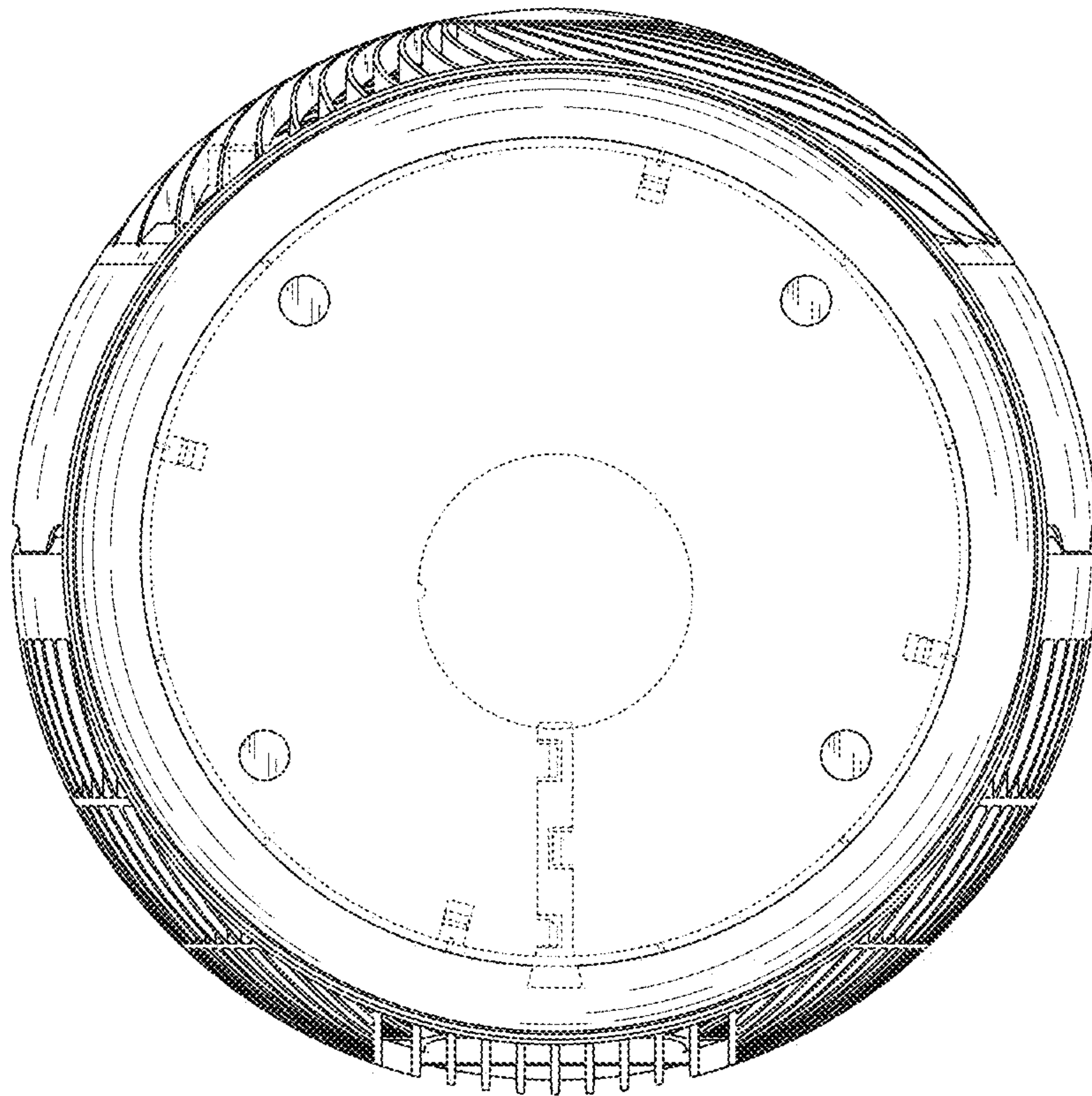


FIG.6

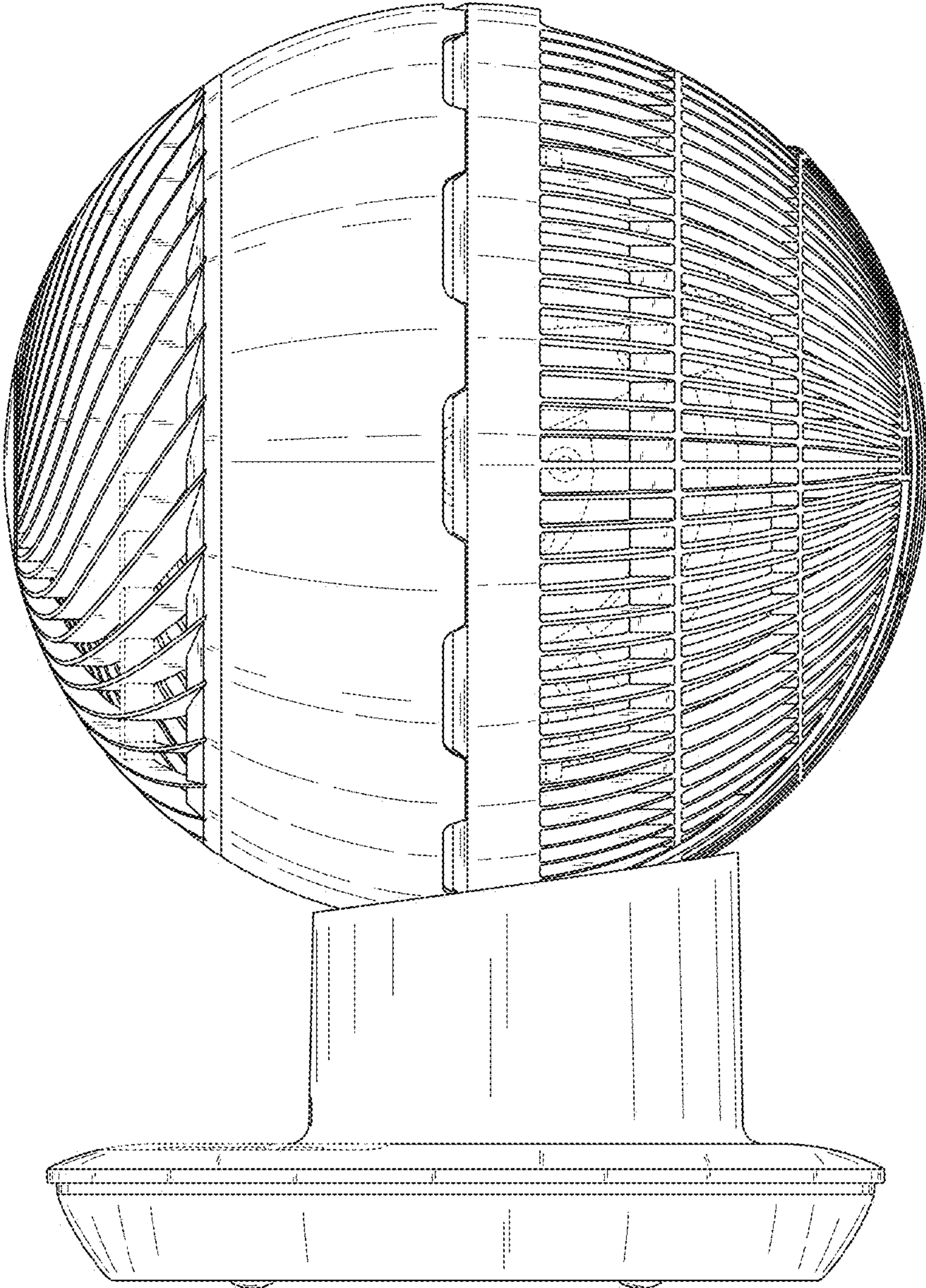


FIG. 7

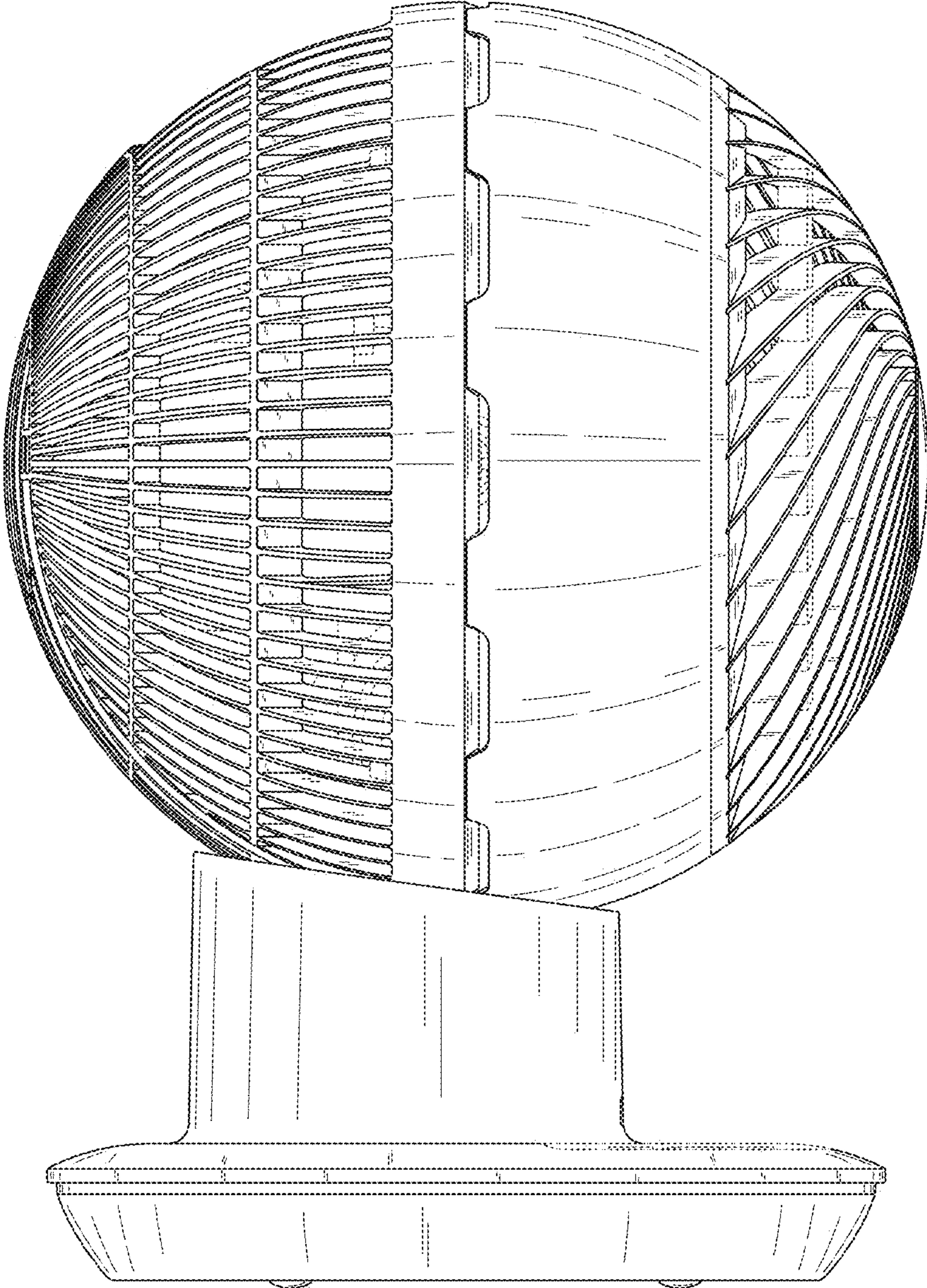


FIG.8

