



US00D935594S

(12) **United States Design Patent** (10) **Patent No.:** **US D935,594 S**  
**McRoberts** (45) **Date of Patent:** **\*\* Nov. 9, 2021**

- (54) **CEILING FAN**
- (71) Applicant: **Hunter Fan Company**, Memphis, TN (US)
- (72) Inventor: **Claire Bernice McRoberts**, La Jolla, CA (US)
- (73) Assignee: **Hunter Fan Company**, Memphis, TN (US)
- (\*\*) Term: **15 Years**
- (21) Appl. No.: **29/722,396**
- (22) Filed: **Jan. 29, 2020**
- (51) **LOC (13) Cl.** ..... **23-04**
- (52) **U.S. Cl.**  
USPC ..... **D23/377**
- (58) **Field of Classification Search**  
USPC ..... D23/370, 377, 379, 385, 411, 413;  
D26/59  
CPC ..... F04D 25/088; F04D 29/38; F04D 29/384;  
F04D 29/386; F21V 33/0096  
See application file for complete search history.

(56) **References Cited**  
U.S. PATENT DOCUMENTS

D386,257 S	11/1997	Liu	
D402,075 S *	12/1998	Hudak	D26/88
D490,182 S *	5/2004	Benensohn	D26/79
D561,374 S *	2/2008	Hartmann, Jr.	D26/74
D571,035 S *	6/2008	Yu	D26/89
D609,799 S	2/2010	Lee	
D632,381 S *	2/2011	Davenport	D23/377
D707,336 S	6/2014	Pan	
D739,001 S *	9/2015	Crisa'	D23/372
D773,030 S	11/2016	Puerto	
D783,796 S *	4/2017	Badarello	D23/385
D795,410 S	8/2017	Holmes	
D795,411 S	8/2017	Wang	
D796,024 S	8/2017	Holmes	
D800,891 S	10/2017	McRoberts et al.	

D804,640 S *	12/2017	Haggar	D23/377
D805,174 S *	12/2017	Guthrie	D23/377
D805,175 S *	12/2017	Haggar	D23/377
D810,915 S *	2/2018	Guthrie	D23/377
D825,052 S	8/2018	Guthrie	
D866,746 S *	11/2019	Holmes	D23/411

(Continued)

OTHER PUBLICATIONS

<https://www.homedepot.com/p/Hunter-Crandon-Park-52-in-LED-Indoor-Matte-Black-Ceiling-Fan-with-Light-59188/206775610>, Hunter Fan Crandon Park 52 in. LED indoor Matte Black Ceiling Fan with Light, Model No. 59188, accessed Jan. 2, 2019.

(Continued)

*Primary Examiner* — Lilyana Bekic  
*Assistant Examiner* — Sharon S Oum  
(74) *Attorney, Agent, or Firm* — McGarry Bair PC

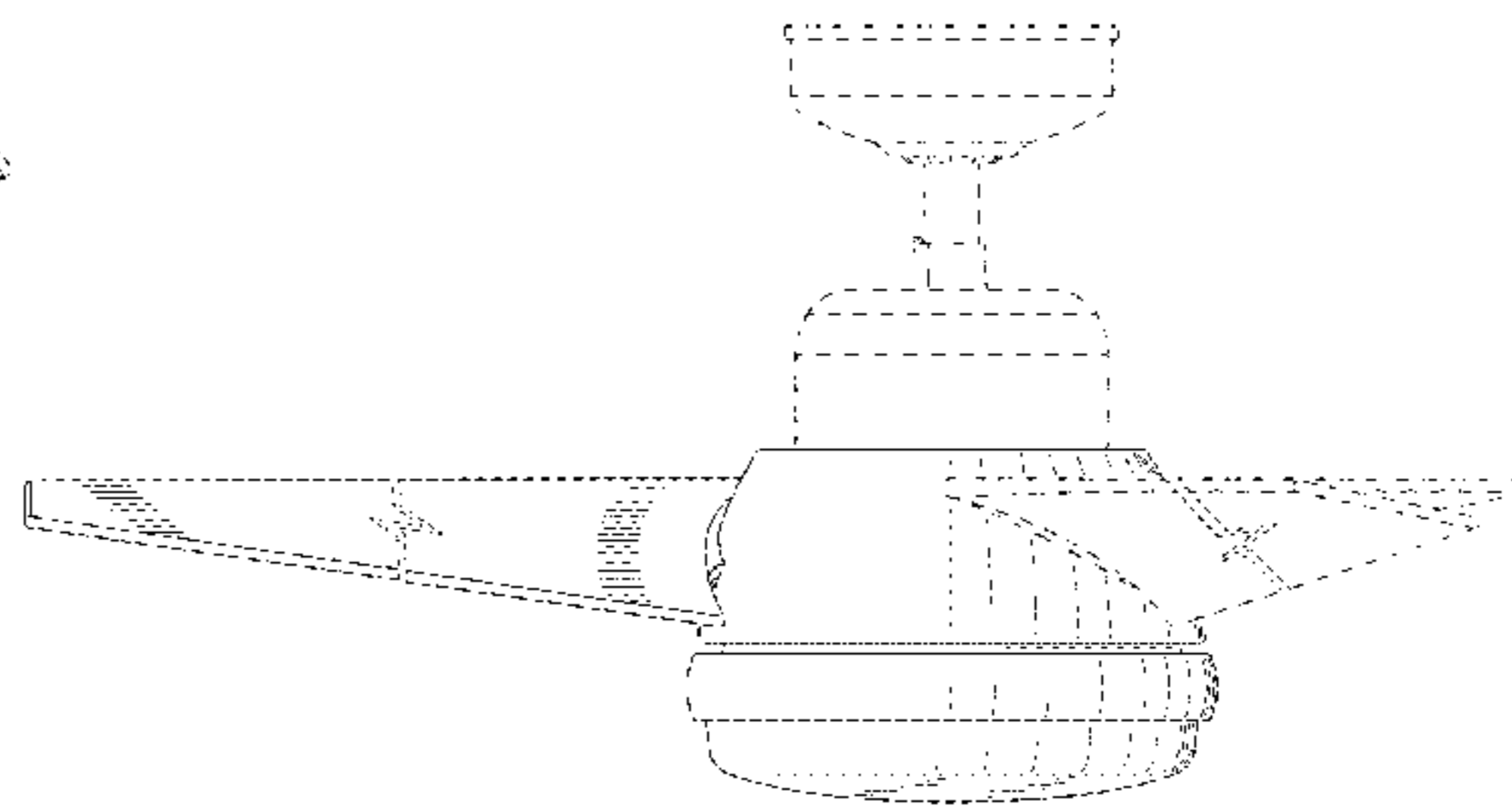
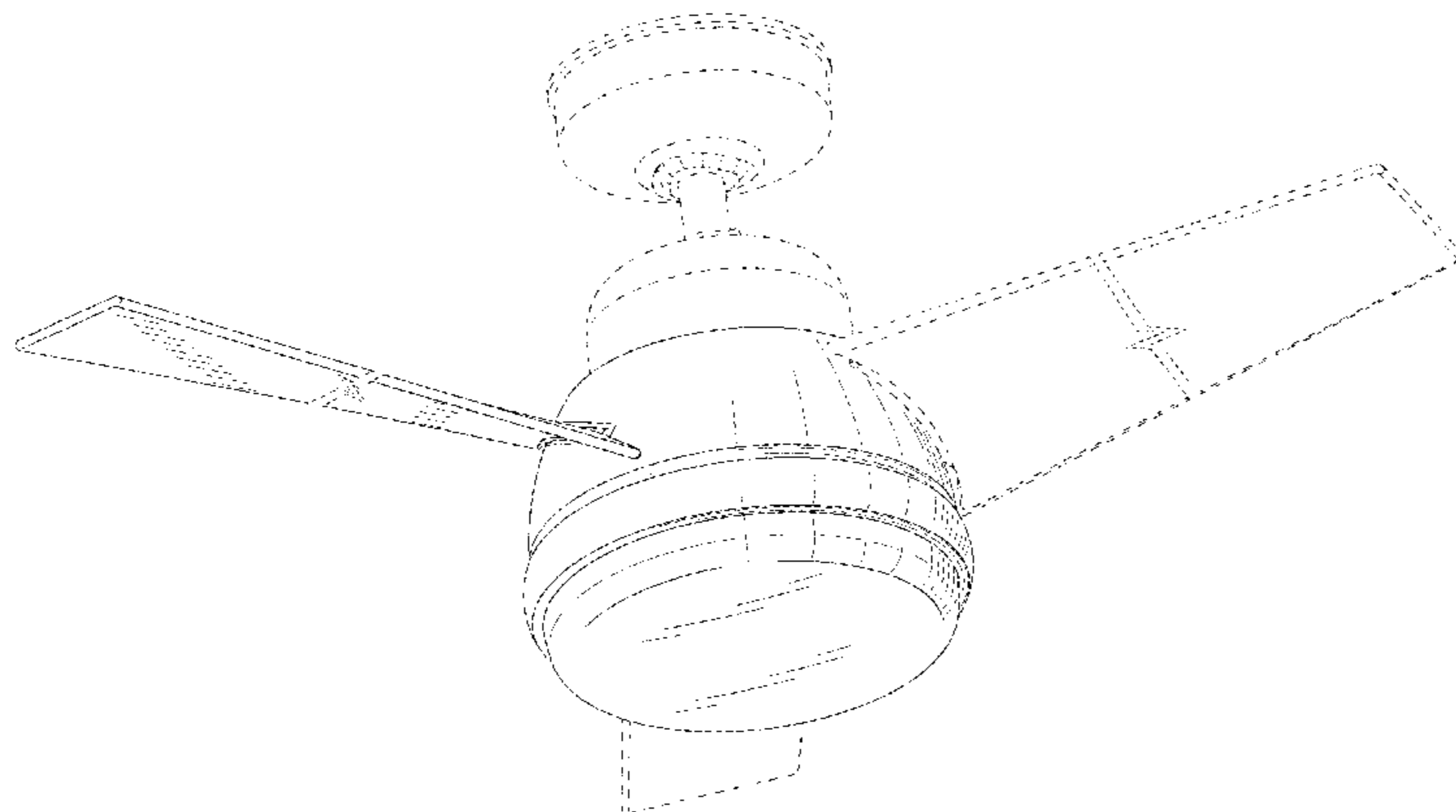
(57) **CLAIM**

The ornamental design for a ceiling fan, as shown and described.

**DESCRIPTION**

FIG. 1 is a top perspective view of a ceiling fan, showing my new design;  
FIG. 2 is a bottom perspective view thereof;  
FIG. 3 is a top view thereof;  
FIG. 4 is a bottom view thereof;  
FIG. 5 is a left side view thereof;  
FIG. 6 is a front view thereof;  
FIG. 7 is a right side view thereof; and,  
FIG. 8 is a rear view thereof.  
Portions of the ceiling fan shown in broken lines form no part of the claimed design. Jagged break lines represent broken away symbols and form no part of the claimed design. The appearance of any portion of the ceiling fan blades between jagged break lines forms no part of the claimed design.

**1 Claim, 8 Drawing Sheets**



(56)

References Cited

U.S. PATENT DOCUMENTS

D872,252 S	*	1/2020	McRoberts	.....	D23/377
D874,635 S	*	2/2020	Holmes	.....	D23/377
D882,748 S	*	4/2020	Haggar	.....	D23/377
D885,551 S	*	5/2020	McRoberts	.....	D23/377
D890,321 S	*	7/2020	Holmes	.....	D23/377
D900,301 S	*	10/2020	Haggar	.....	D23/411

OTHER PUBLICATIONS

<https://www.homedepot.com/p/Hunter-Dempsey-44-in-Low-Profile-LED-Indoor-Fresh-White-Ceiling-Fan-with-Universal-Remote-59244/300241335>, Hunter Fan Dempsey 44 in. Low Profile LED Indoor Fresh White Ceiling Fan with Universal Remote, Model No. 59244, accessed Jan. 2, 2019.

<https://www.lowes.com/pd/Harbor-Breeze-Hydra-70-in-Brushed-Nickel-Indoor-Ceiling-Fan-with-Light-Kit-and-Remote-8-Blade/1000384303>, Harbor Breeze Hydra 70-in Brushed Nickel 8 Blade Indoor Ceiling Fan with Light Kit and Remote, accessed Jan. 2, 2019.

<https://ceilingfans.emerson.com/en-us/shop/fan/fan-cf500>, Emerson Euclid 56" 5 blade Ceiling Fan with 4.5" Downrod, Model No. CF500, accessed Jan. 2, 2019.

<https://www.craftmade.com/propel-ppl24>, Craftmade Propel 24" Ceiling Fan with Blades and Light Kit, Model No. PPL24ESP6, accessed Jan. 2, 2019.

<http://www.kichler.com/products/product/60-inch-zeus-ceiling-fan-ni-300060ni.aspx>, Kichler Zeus Collection, 60 Inch Ceiling Fan in Brushed Nickel, Model No. 300060NI, accessed Jan. 2, 2019.

<http://www.montecarlofans.com/57217/56-Avvo-Matte-White-3AVOR56RZWD.html>, Monte Carlo Avvo Collection, Avvo 56" Ceiling Fan in Matte White, Model No. 3AVOR56RZWD-V1, accessed Jan. 2, 2019.

<https://www.lumens.com/leoni-ceiling-fan-by-hunter-fans-HFNP148773.html>, Hunter Fan Leoni 3-Blade Ceiling Fan, Model No. 59219, accessed Jan. 4, 2019.

<file:///mbshare1/shared/GRDOCS/72312/750/OPINION/Casablanca%20Trident%20available%20at%20https://www.homedepot.com/p/Casablanca-Trident-54-in-Indoor-Snow-White-Ceiling-Fan-with-Universal-Wall-Control-59082/205328837>, Casablanca Trident 54 in. Indoor Snow White Ceiling Fan with Universal Wall Control, Model No. 59082, accessed Jan. 2, 2019.

<https://ceilingfans.emerson.com/en-us/shop/fan/fans-s-emerson-fans/modern/fan-cf550>, Emerson Luxe Eco 54" with Blades and Light, Model No. CF550, accessed Jan. 2, 2019.

<https://www.ceilingfan.com/Kichler-Lucian-Olde-Bronze-Ceiling-Fan-300176OZ-p/kc300176oz.htm>, Kichler Lucian 52" Ceiling Fan in Olde Bronze, Model No. 300176OZ, accessed Jan. 2, 2019.

<https://www.homedepot.com/p/Hunter-Aker-36-in-LED-Indoor-Brushed-Nickel-Ceiling-Fan-with-Light-59303/301927894>, Hunter Fan Aker 36 in. LED Indoor Brushed Nickel Ceiling Fan with Light, Model No. 59303, accessed Jan. 2, 2019.

<https://ceilingfans.emerson.com/en-us/shop/fan/fans-s-emerson-fans/modern/fan-cf955>, Emerson Midway Eco 54" Ceiling Fan with 4.5 Downrod with Light and LED Remote Control, Model No. CF955, accessed Jan. 2, 2019.

<https://www.homedepot.com/p/Home-Decorators-Collection-Windward-IV-52-in-Integrated-LED-Indoor-Outdoor-Oil-Rubbed-Bronze-Ceiling-Fan-with-Light-Kit-51660/206892724>, Home Decorators Collection Windward IV 52" Integrated LED Indoor/Outdoor Ceiling Fan with Light in Oil-Rubbed Bronze, Model No. 51660, accessed Jan. 2, 2019.

<http://www.kichler.com/products/product/54-inch-lehr-ii-fan-dbk-310112dbk.aspx>, Kichler Lehr II Climates Collection, 54 inch Ceiling Fan in Distressed Black, Model No. 310112DBK, accessed Jan. 2, 2019.

<https://www.minkagroup.net/f543l-ka.html>, Minka Aire Swept 56" 4-Blade LED Ceiling Fan in Kocoa Finish with Kocoa Blades and an Etched Lens, Model No. F543L-KA, accessed Jan. 2, 2019.

<https://www.menards.com/main/lighting-ceiling-fans/ceiling-fans/indoor-ceiling-fans/hunter-reg-juliet-52-matte-black-led-ceiling-fan/59223/p-1471978730909.htm>, Hunter Fan Juliet 52" Matte Black LED Ceiling Fan, Model No. 59223, accessed Jan. 4, 2019.

\* cited by examiner

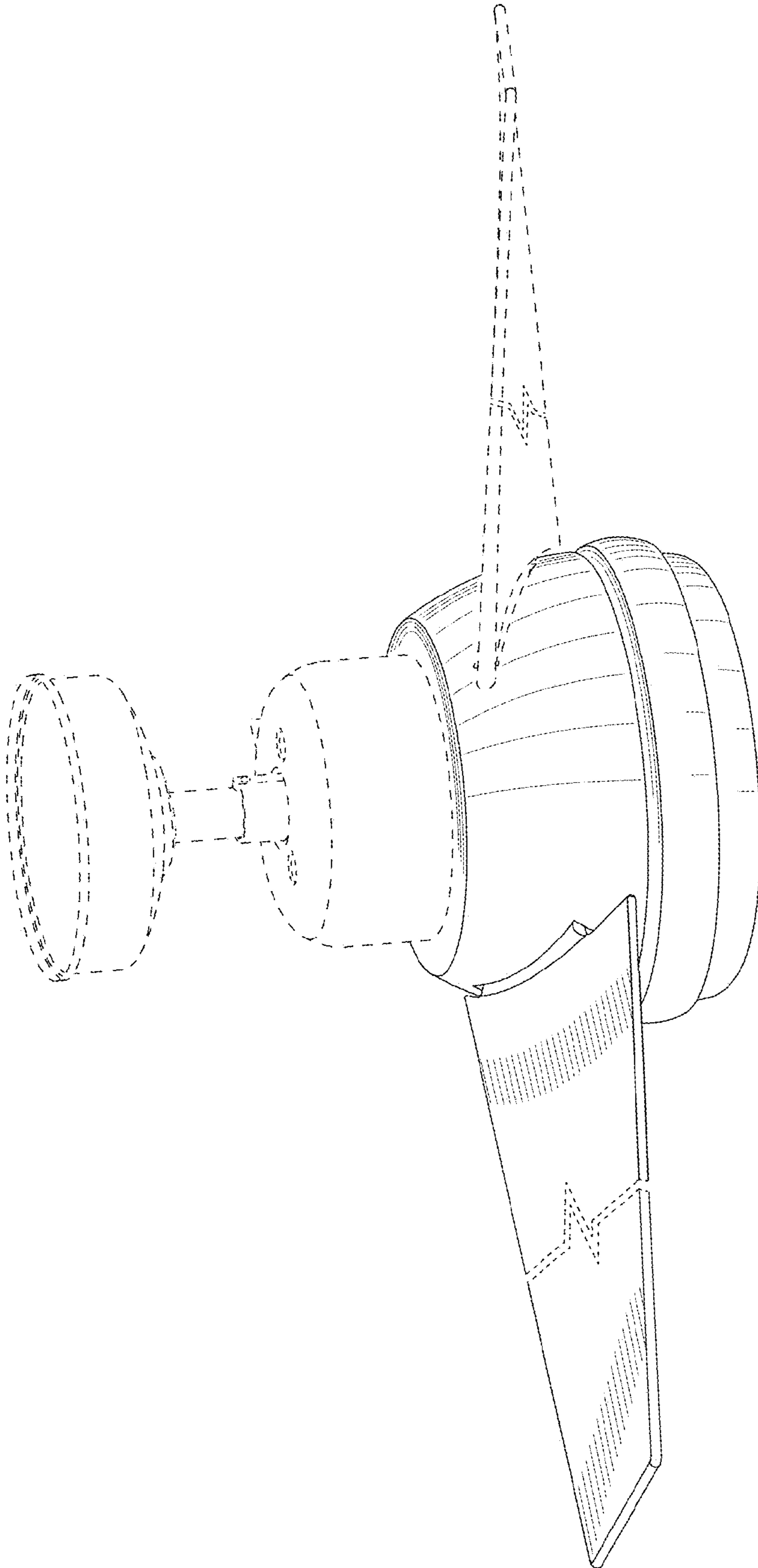


FIG. 1

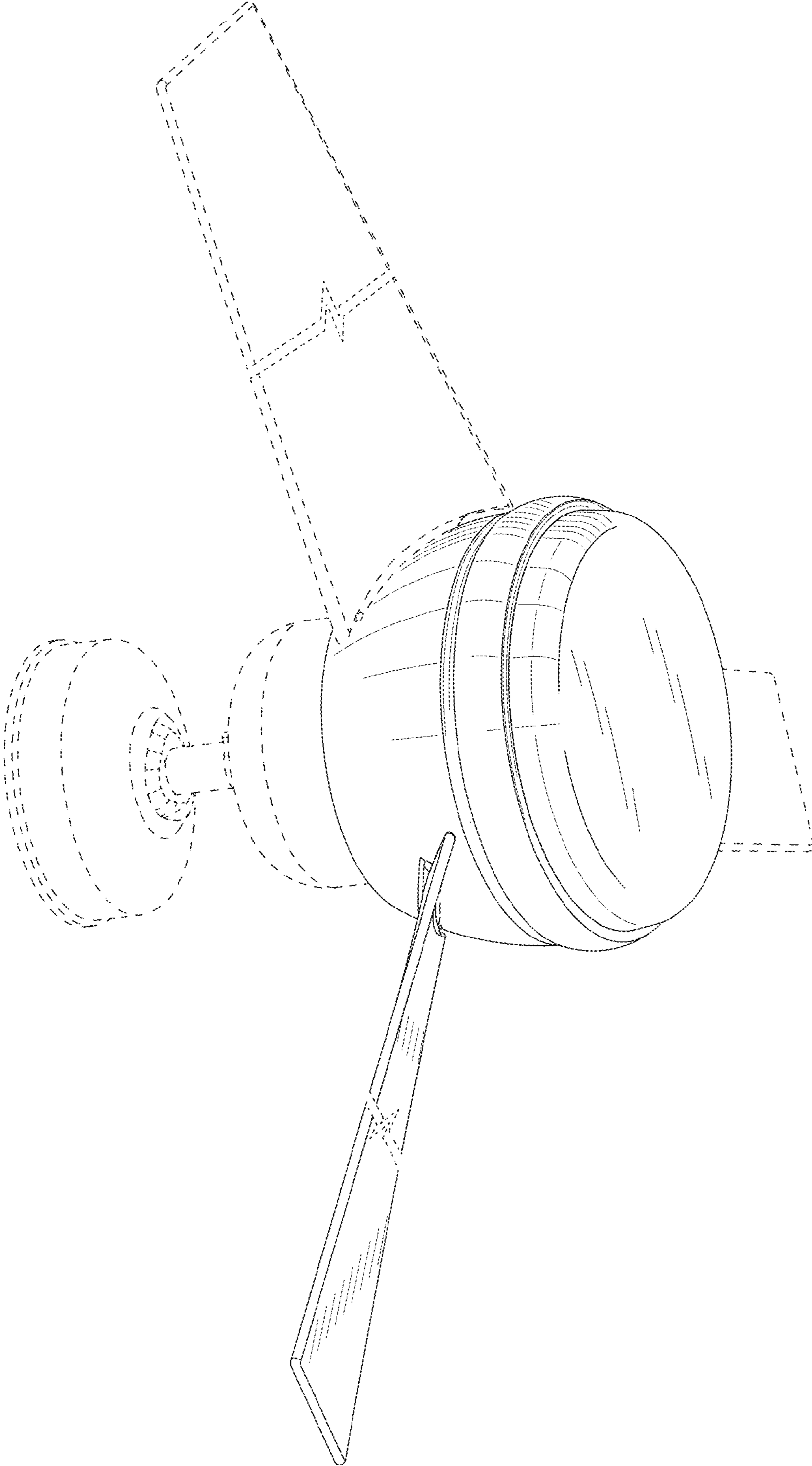


FIG. 2

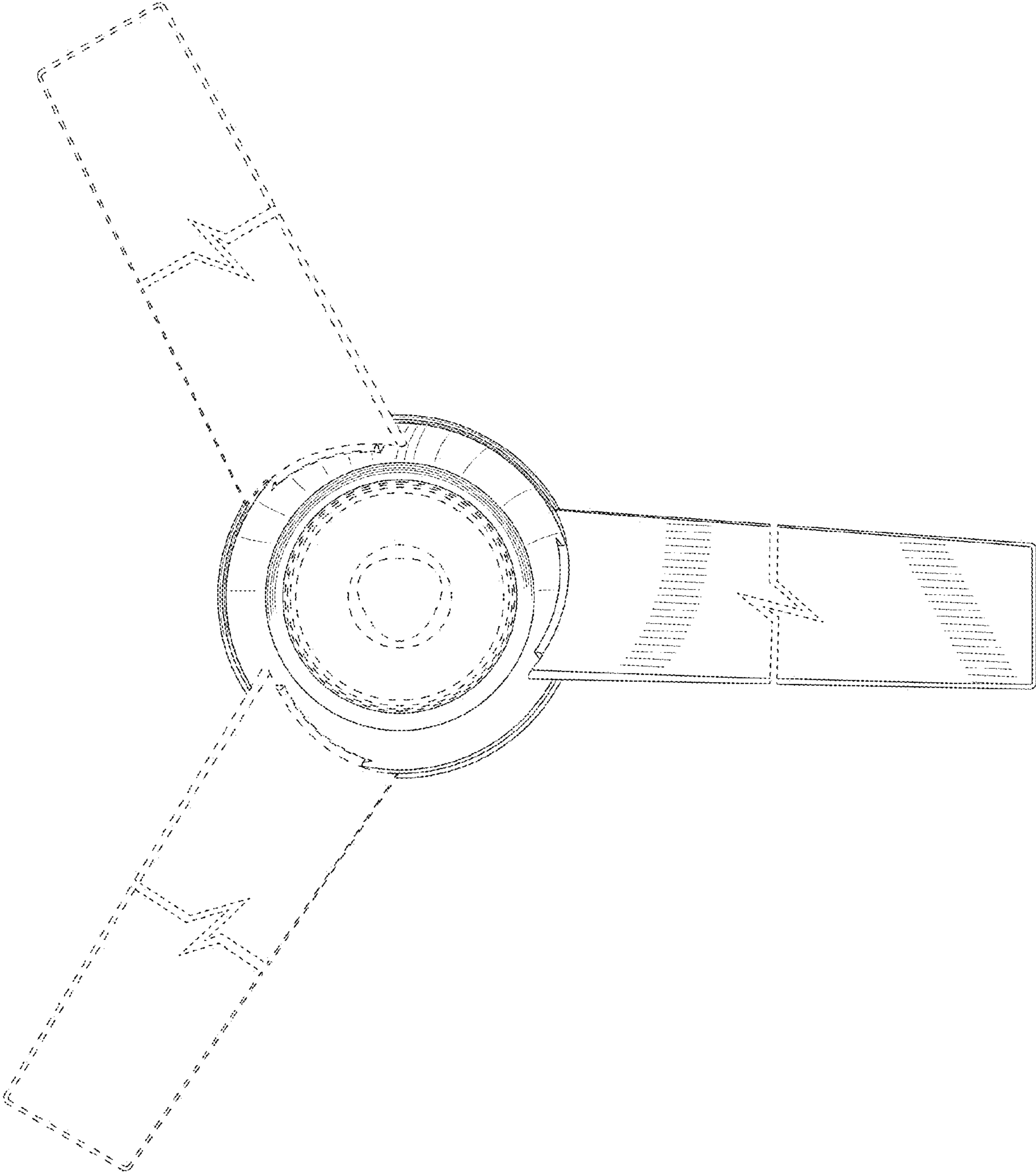


FIG. 3

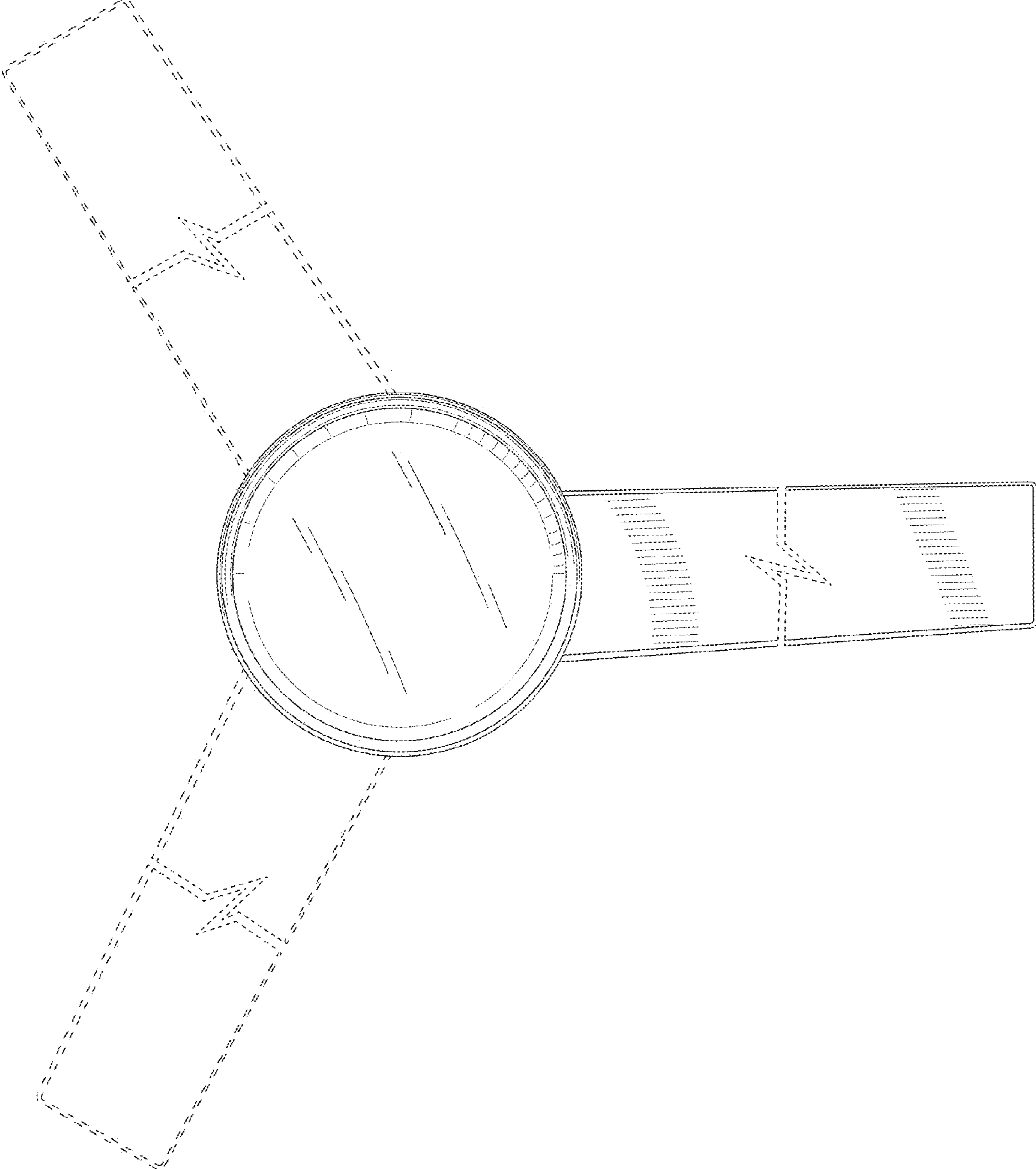


FIG. 4

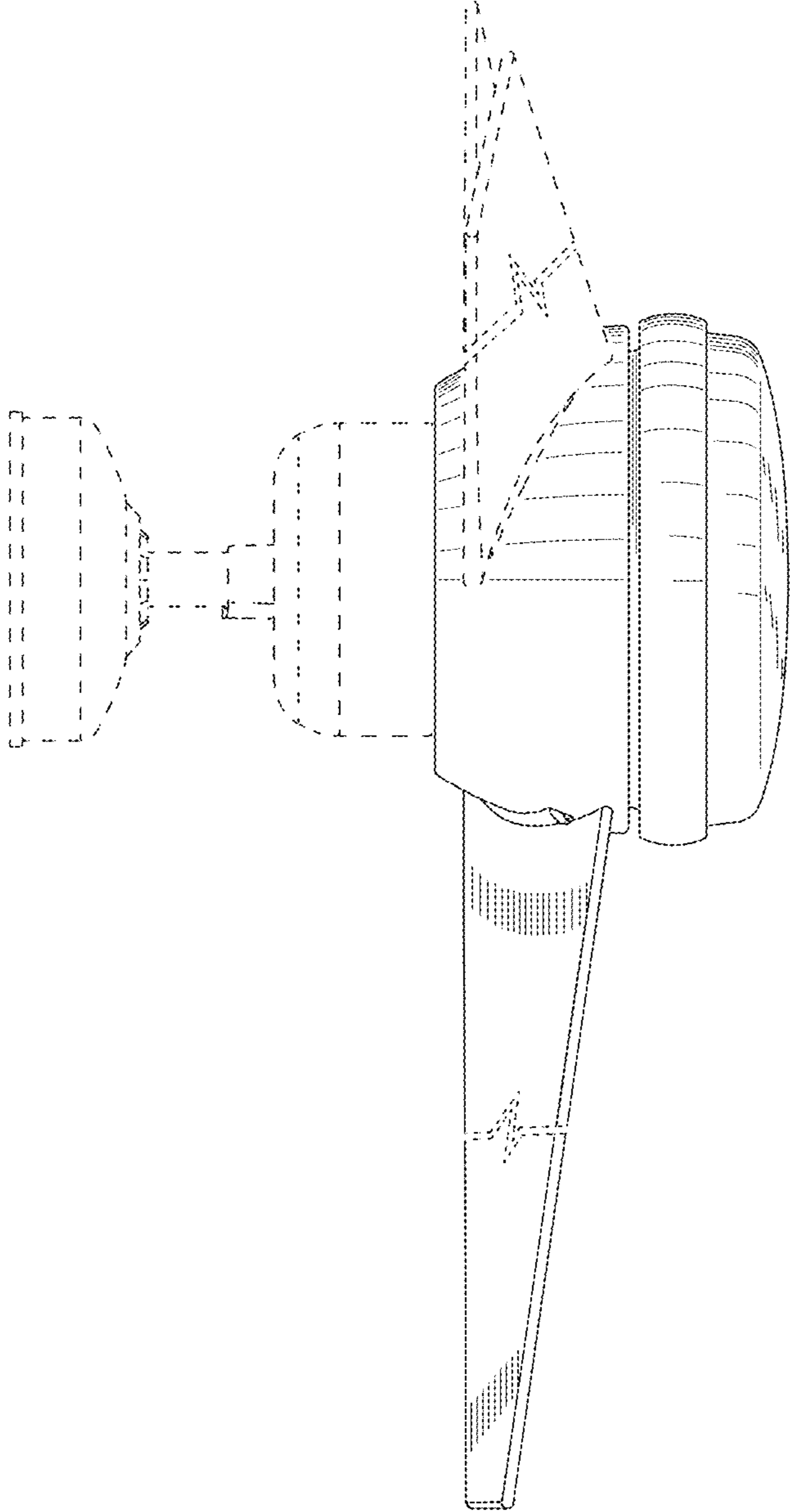


FIG. 5

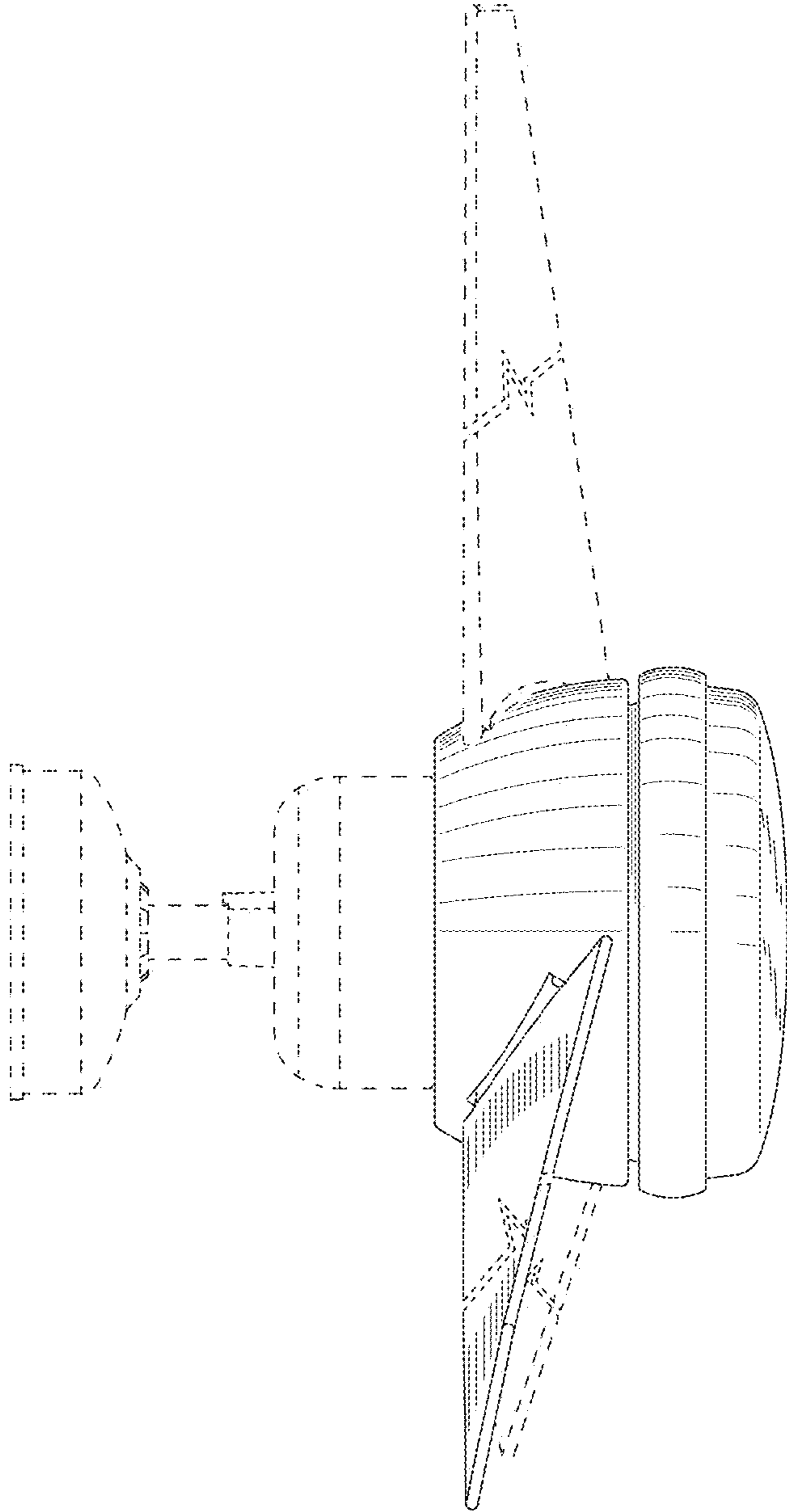


FIG. 6



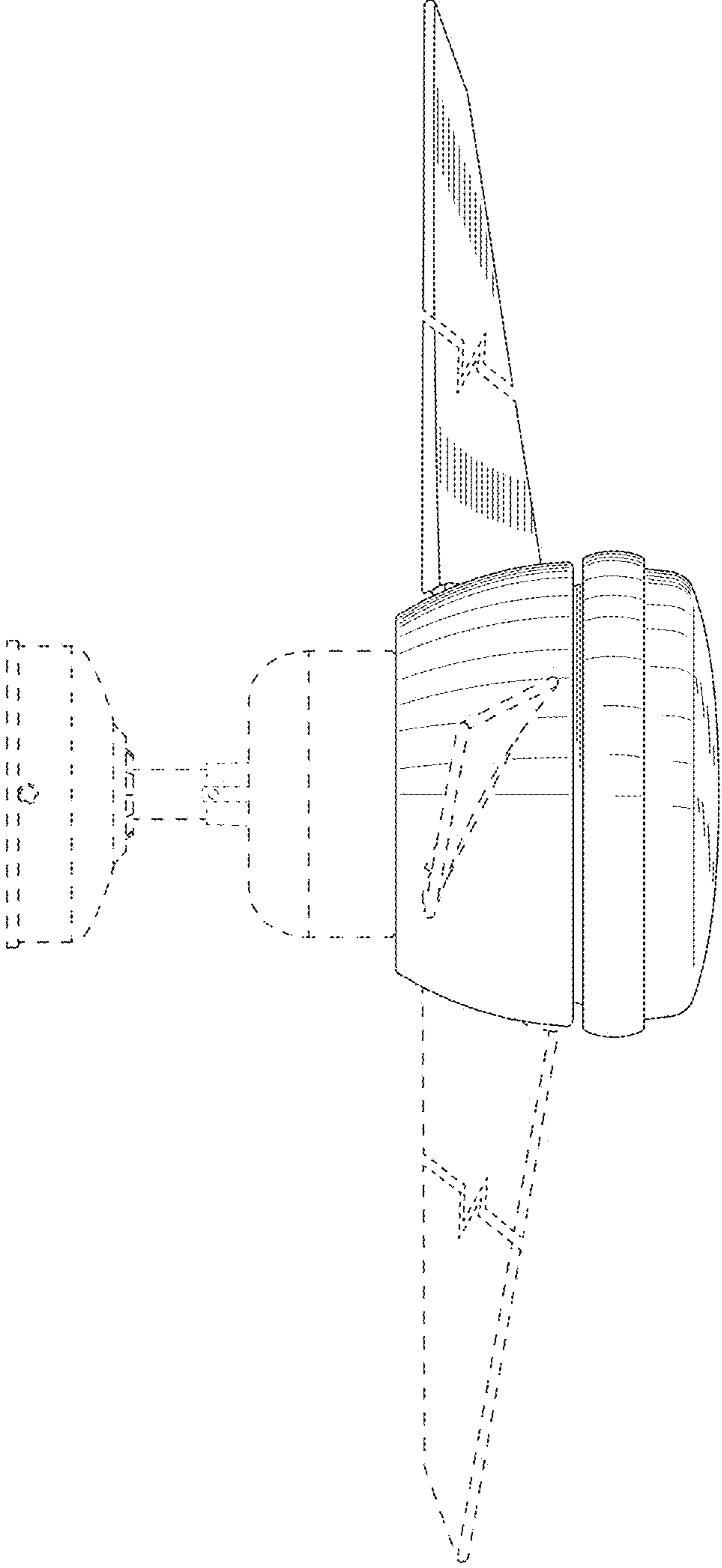


FIG. 7

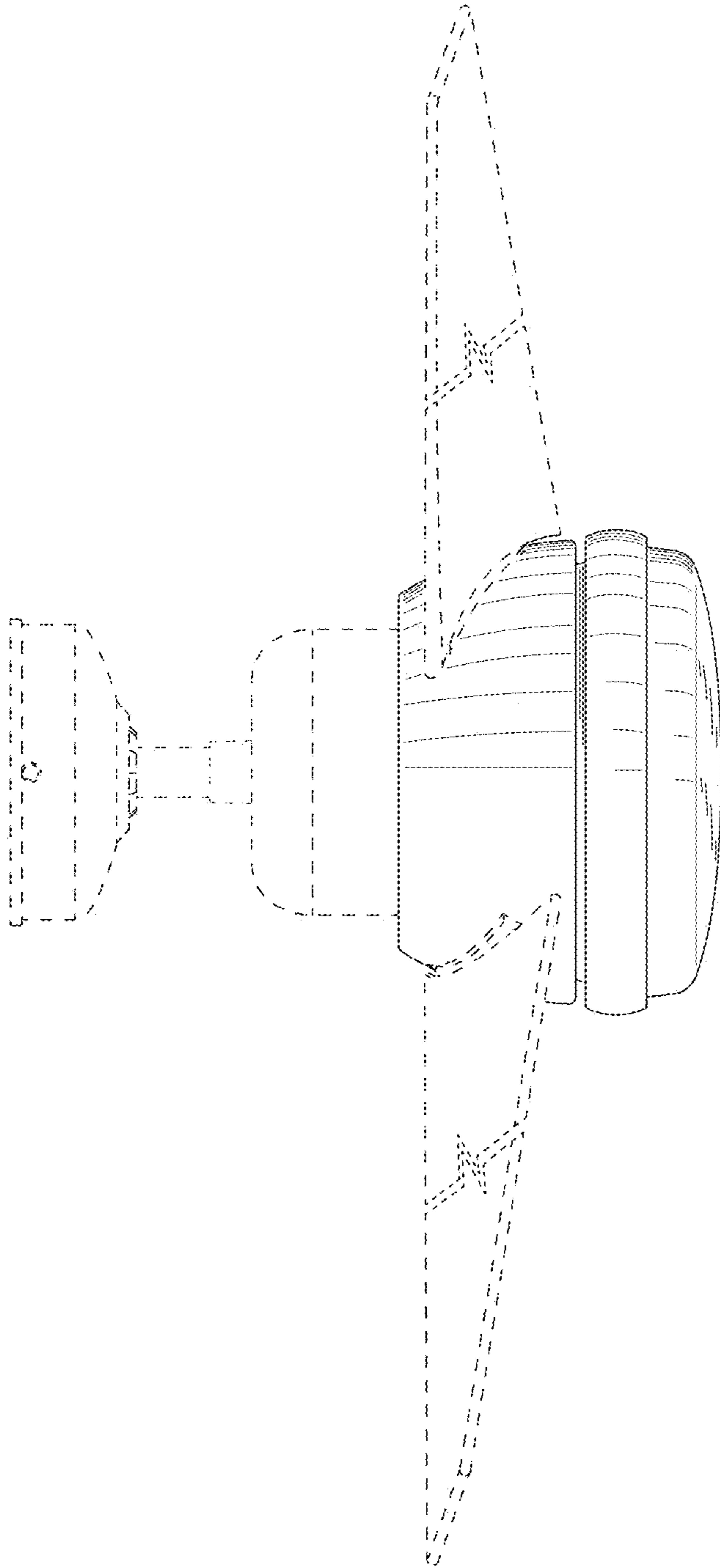


FIG. 8