



US00D935593S

(12) **United States Design Patent**
Andres

(10) **Patent No.:** **US D935,593 S**

(45) **Date of Patent:** **** Nov. 9, 2021**

(54) **SCENT DIFFUSER**

(71) Applicant: **Scentair Technologies, LLC**, Charlotte, NC (US)

(72) Inventor: **Logan T. Andres**, Indian Trail, NC (US)

(73) Assignee: **Scentair Technologies, LLC**, Charlotte, NC (US)

(**) Term: **15 Years**

(21) Appl. No.: **29/720,545**

(22) Filed: **Jan. 14, 2020**

(51) **LOC (13) Cl.** **28-99**

(52) **U.S. Cl.**
USPC **D23/366**

(58) **Field of Classification Search**
USPC D23/209, 355, 356, 358, 359, 360, 364, D23/365, 366, 367; D99/5; D17/22
CPC . A61L 9/03; A61L 9/012; A61L 9/015; A61L 9/037; F41J 1/01
See application file for complete search history.

(56) **References Cited**

U.S. PATENT DOCUMENTS

D493,874 S * 8/2004 Woods D23/364
D716,427 S * 10/2014 Lim D23/364
D807,226 S * 1/2018 Wessel D11/131.1

D832,414 S * 10/2018 Sharma D23/364
D834,694 S * 11/2018 Walter D23/366
D847,323 S * 4/2019 Gan D23/356
D850,596 S * 6/2019 Wu D23/366
D865,149 S * 10/2019 Lin D23/364
D873,401 S * 1/2020 Chen D23/364
D908,854 S * 1/2021 Fitzsimmons D23/364
2018/0161471 A1 * 6/2018 Davis H04W 4/80

* cited by examiner

Primary Examiner — John A Voytek

(74) *Attorney, Agent, or Firm* — Schwartz Law Firm, P.C.

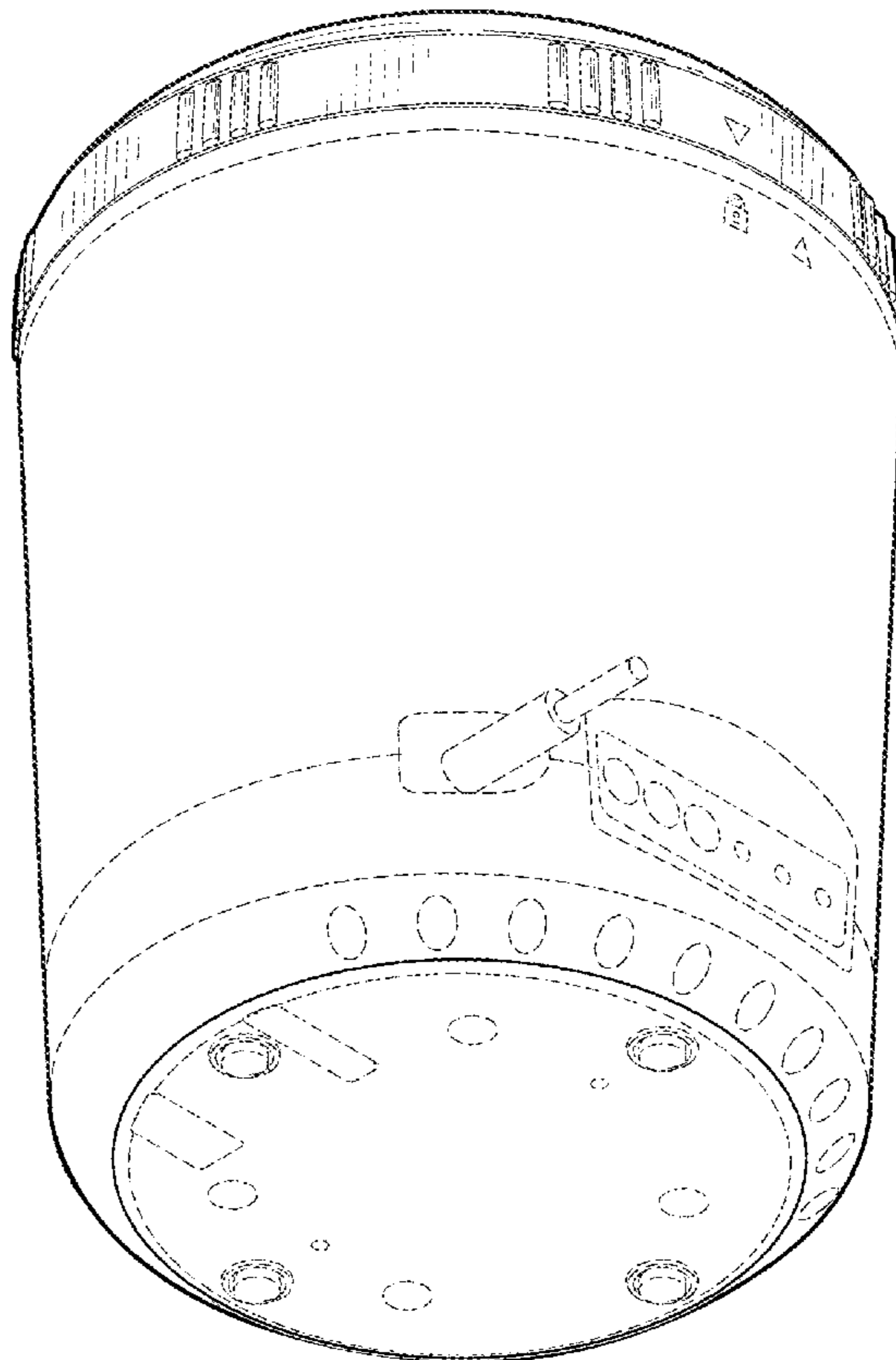
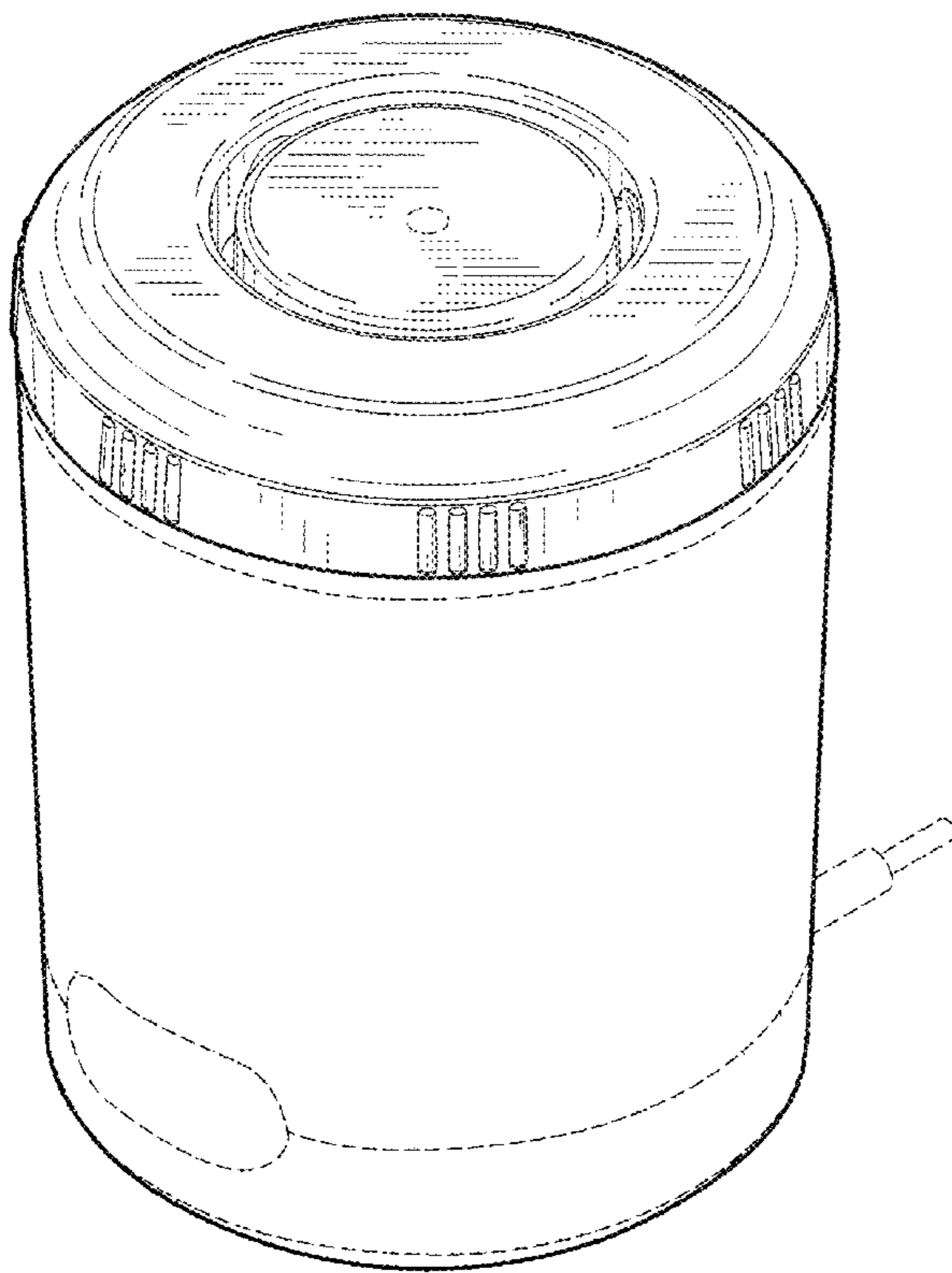
(57) **CLAIM**

I claim the ornamental design for a scent diffuser, as shown and described.

DESCRIPTION

FIG. 1 is a first top perspective view of the scent diffuser; FIG. 2 is a second top perspective view of the scent diffuser; FIG. 3 is a first bottom perspective view of the scent diffuser; FIG. 4 is a second bottom perspective view of the scent diffuser; FIG. 5 is a first side view of the scent diffuser; FIG. 6 is a second side view of the scent diffuser; FIG. 7 is a third side view of the scent diffuser; FIG. 8 is a fourth side view of the scent diffuser; FIG. 9 is a top view of the scent diffuser; and, FIG. 10 is a bottom view of the scent diffuser. The portions of the scent diffuser shown in broken-lines in the drawings form no part of the claimed design.

1 Claim, 7 Drawing Sheets



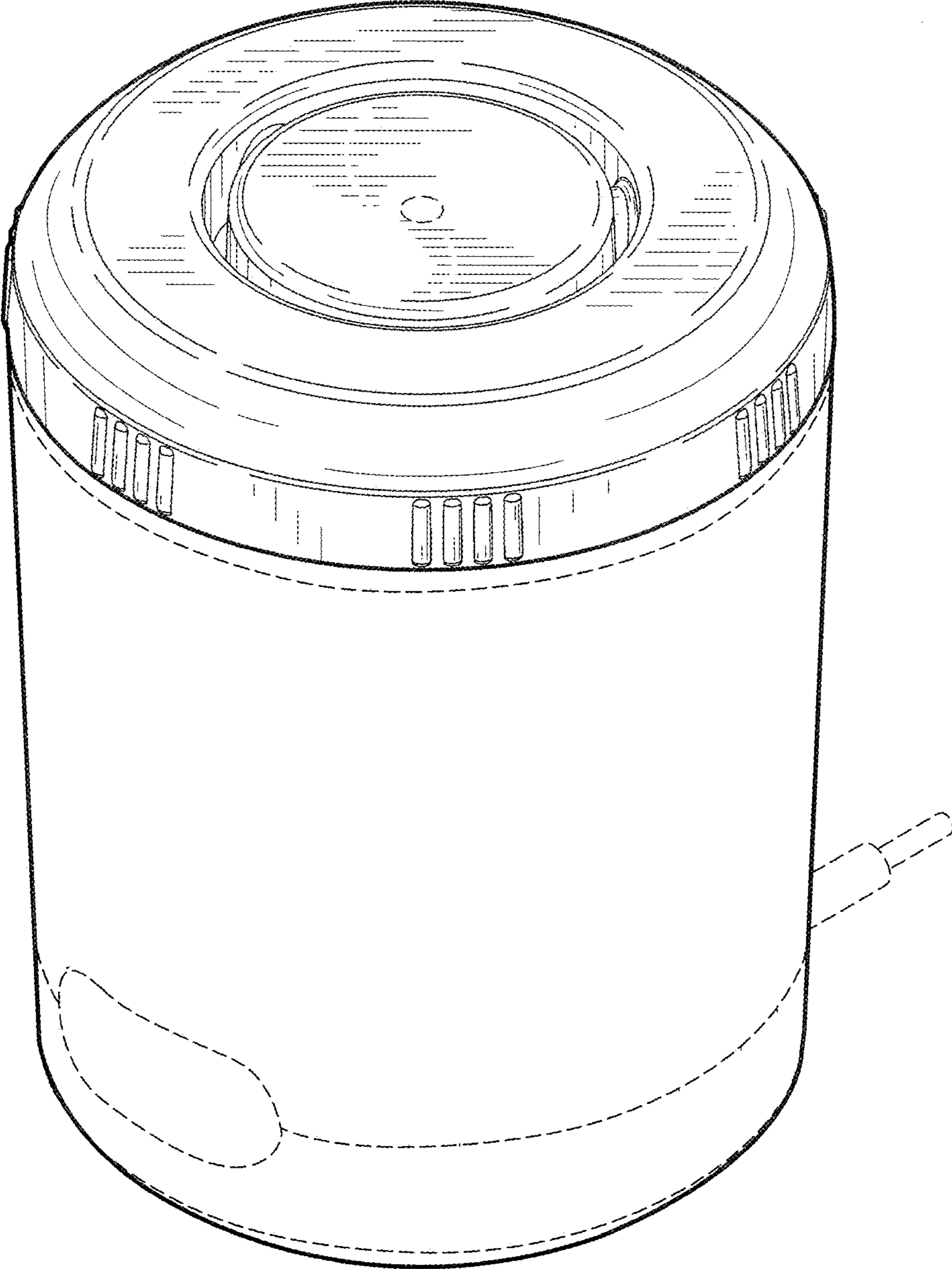


FIG. 1



FIG. 2

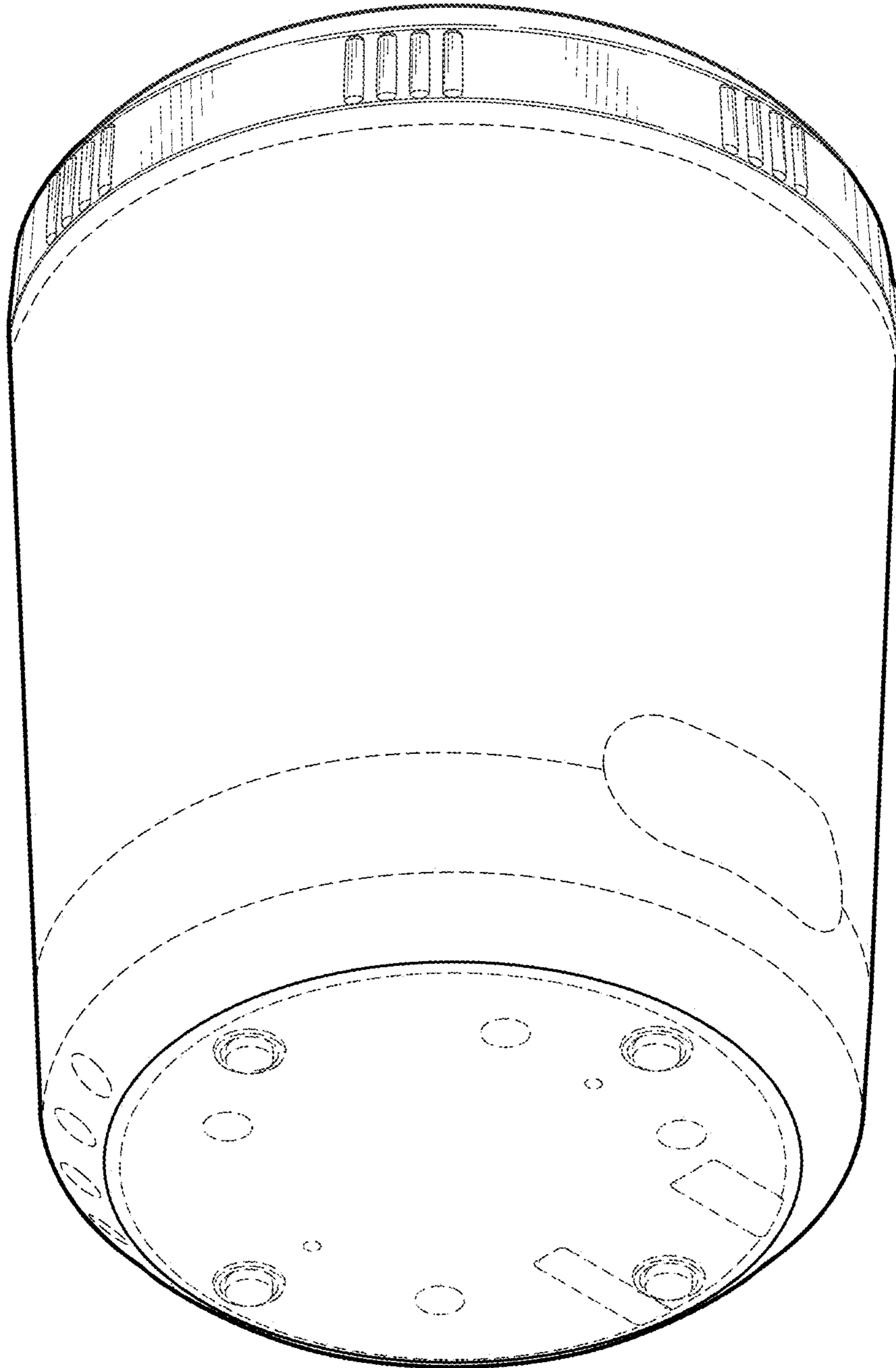


FIG. 3

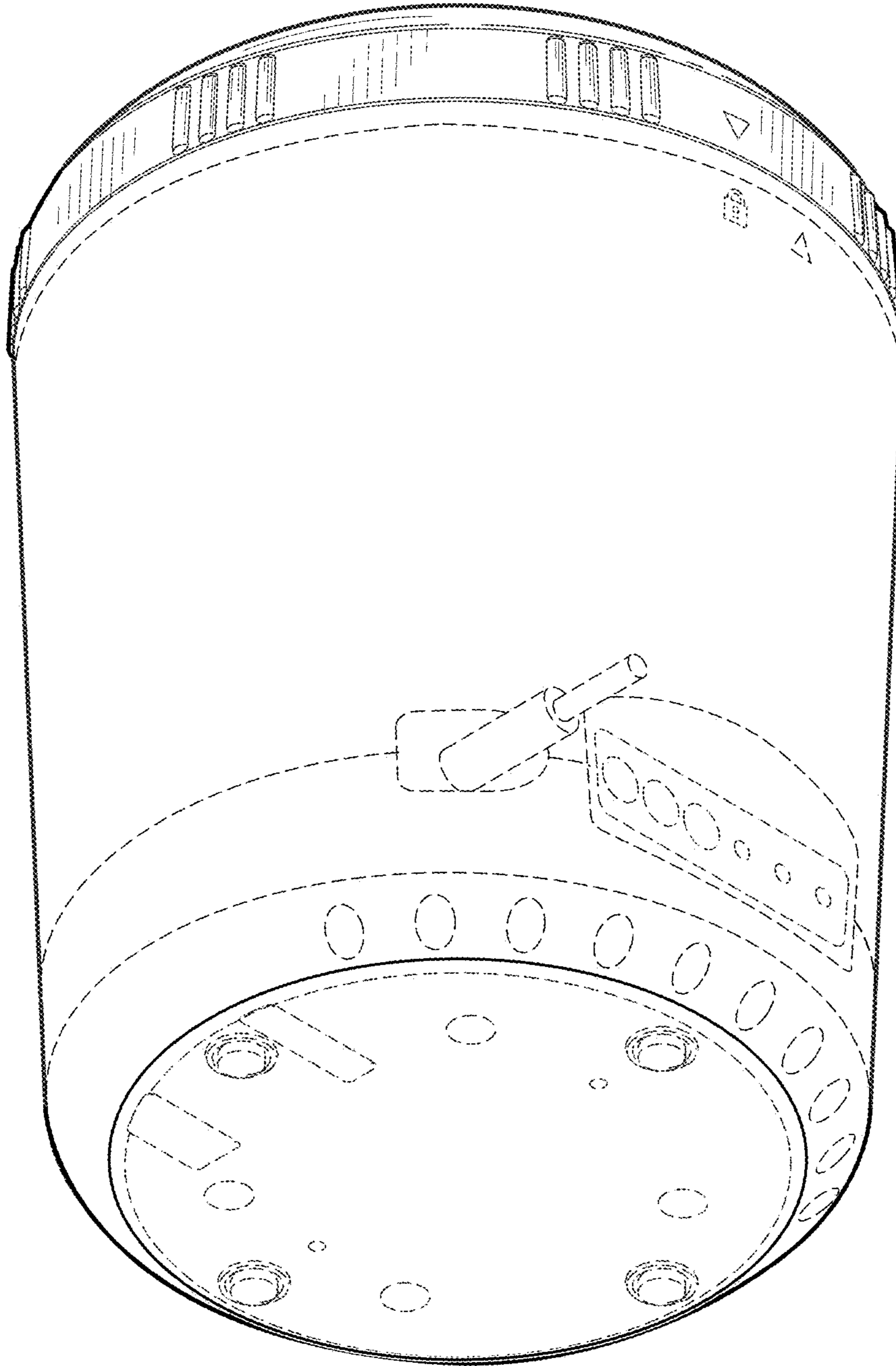


FIG. 4

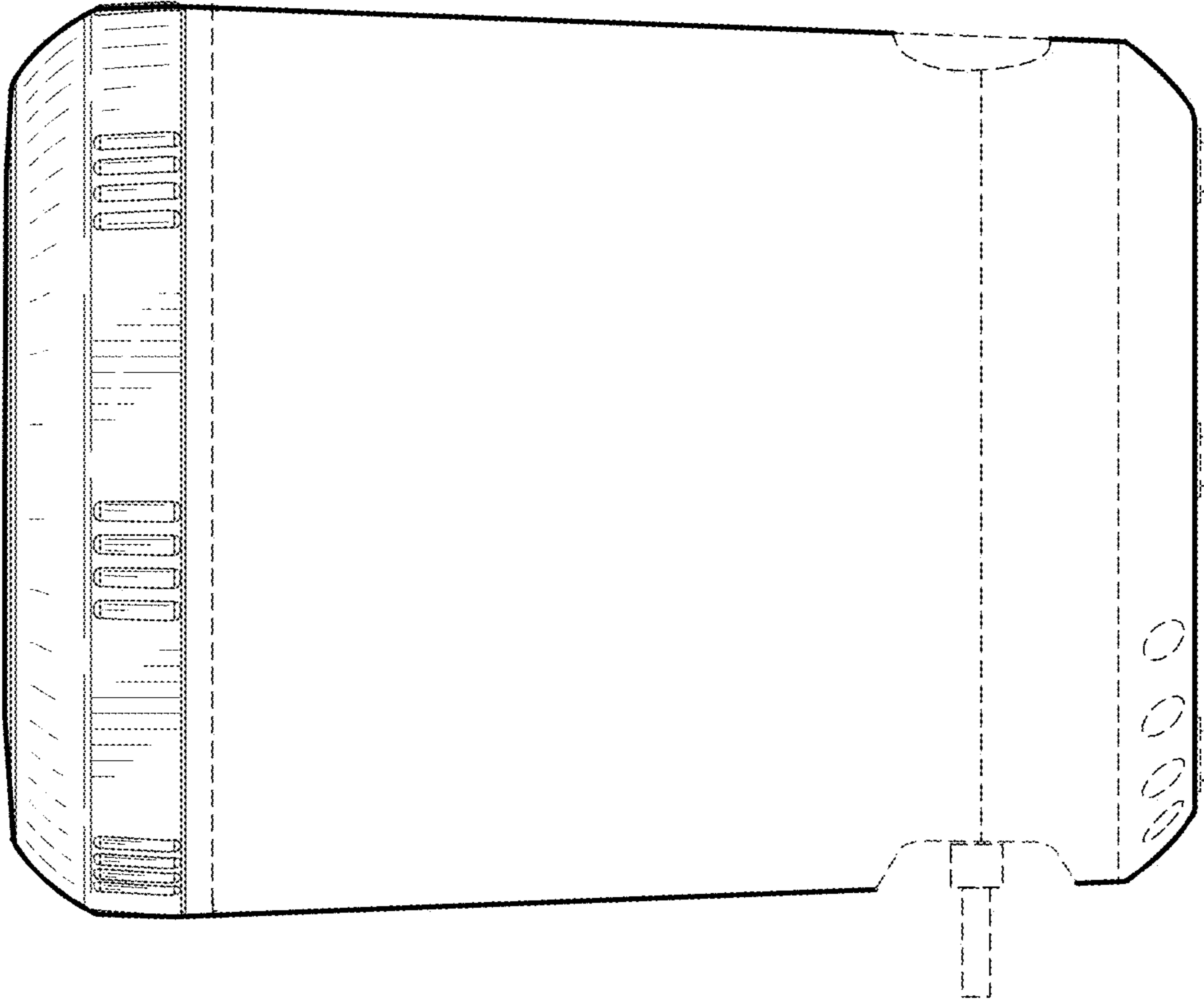


FIG. 5

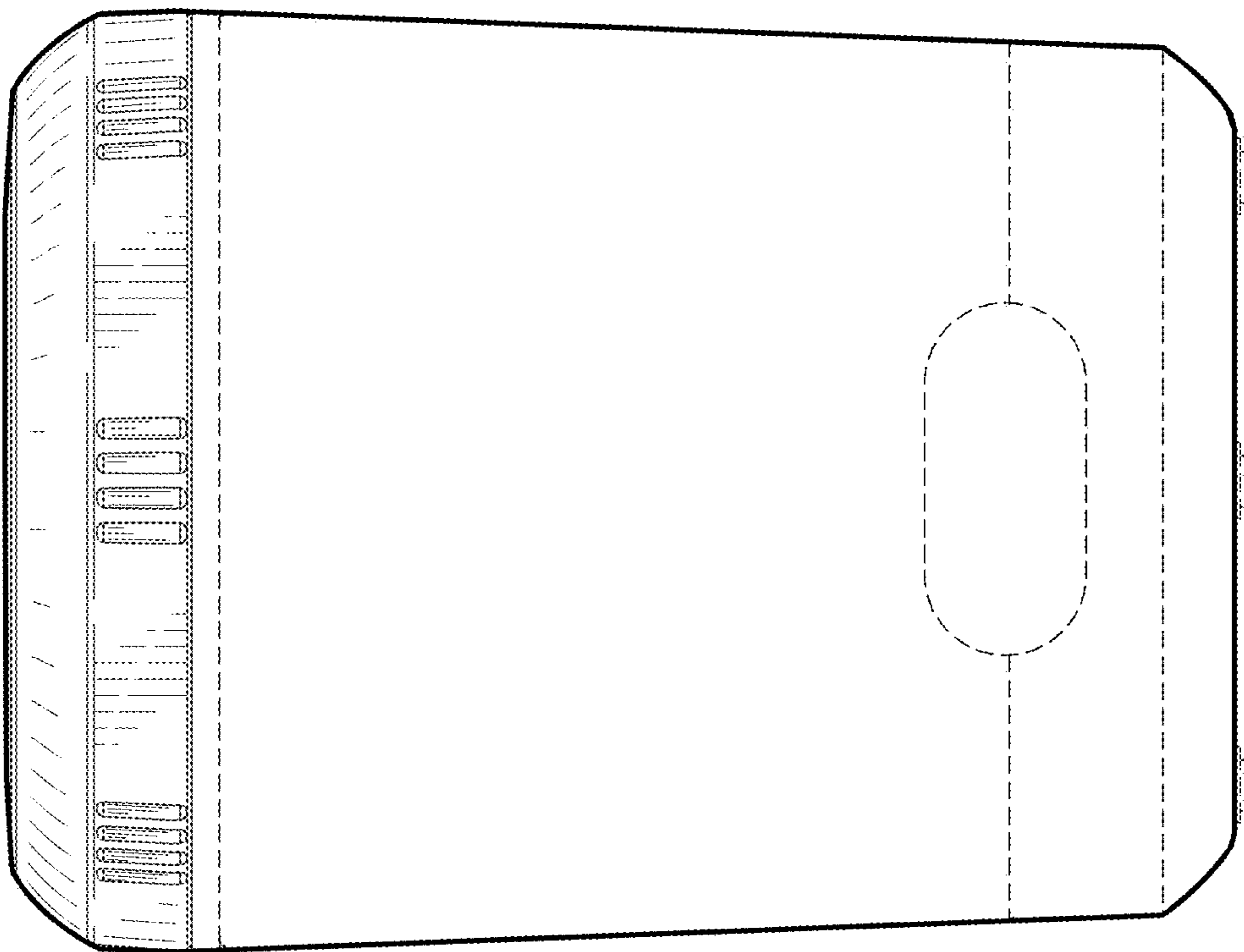


FIG. 6

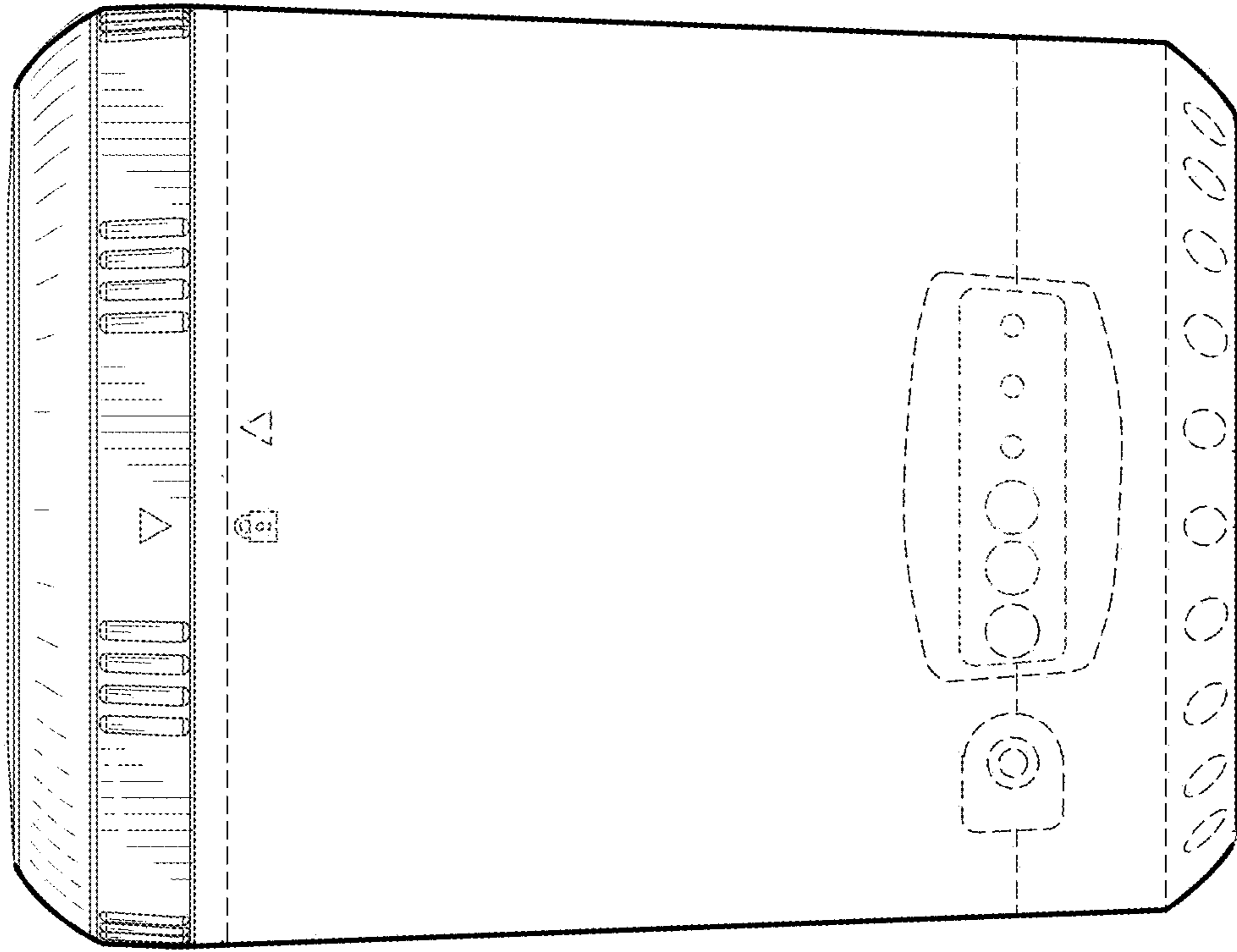


FIG. 8

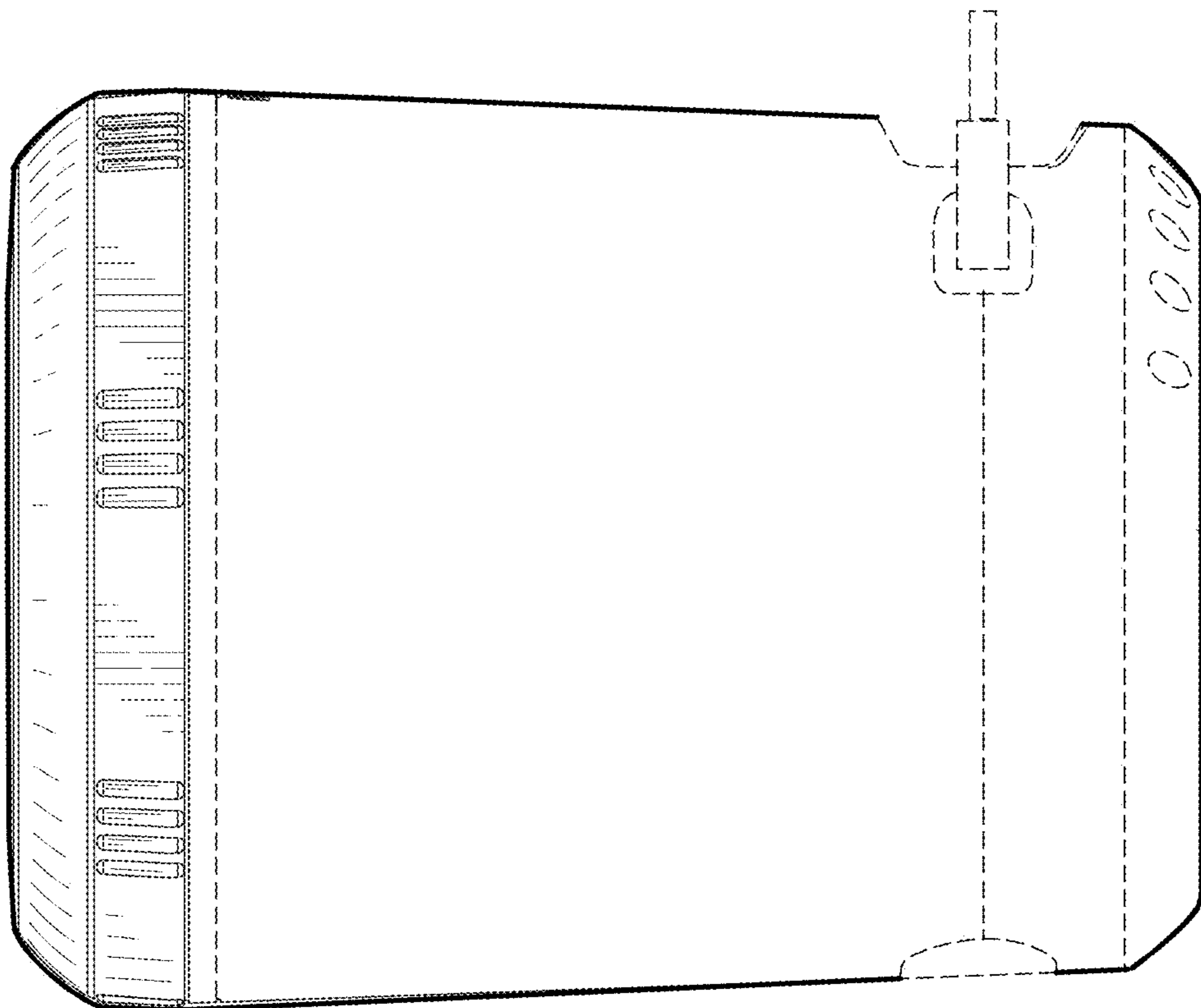


FIG. 7

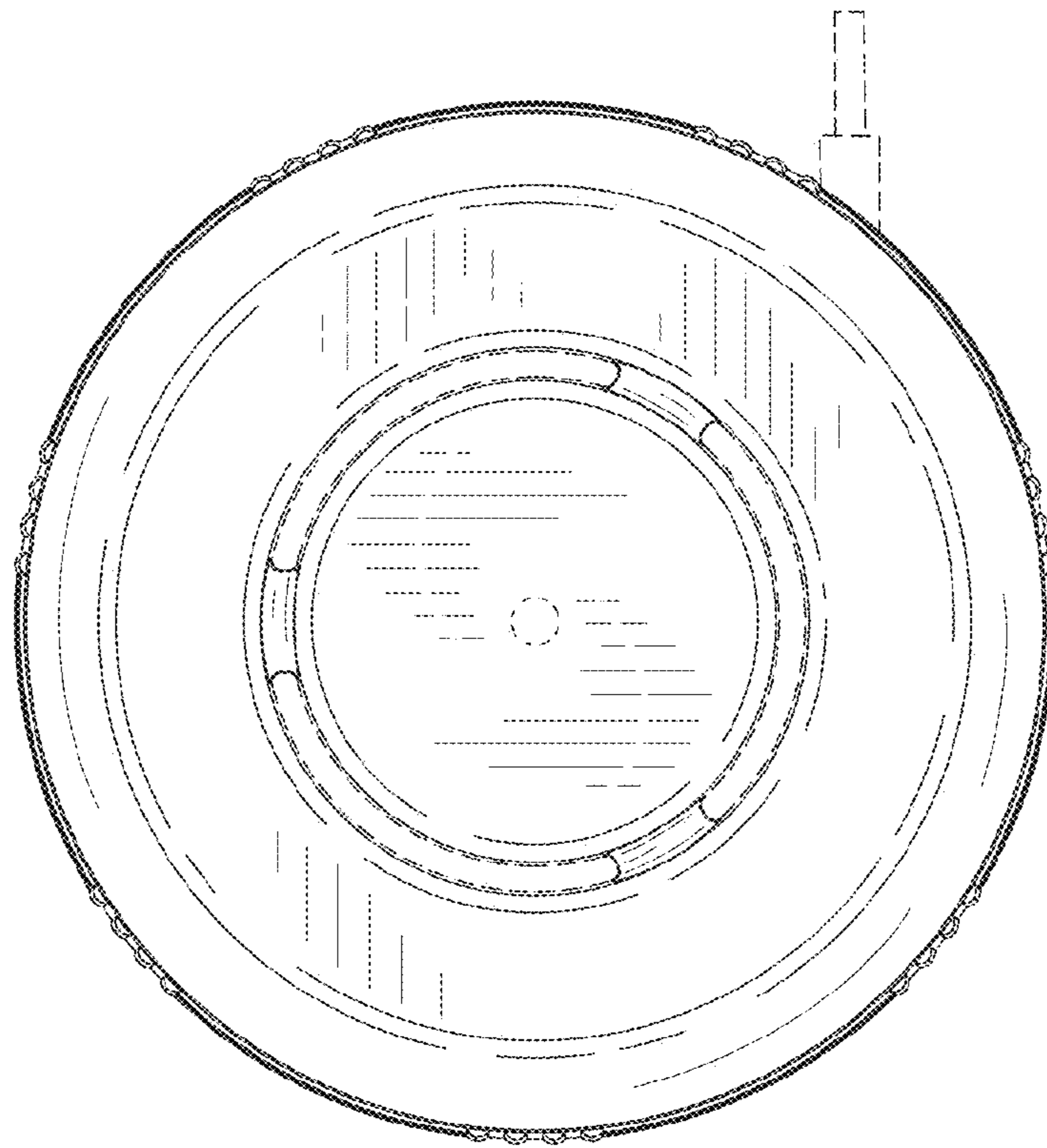


FIG. 9

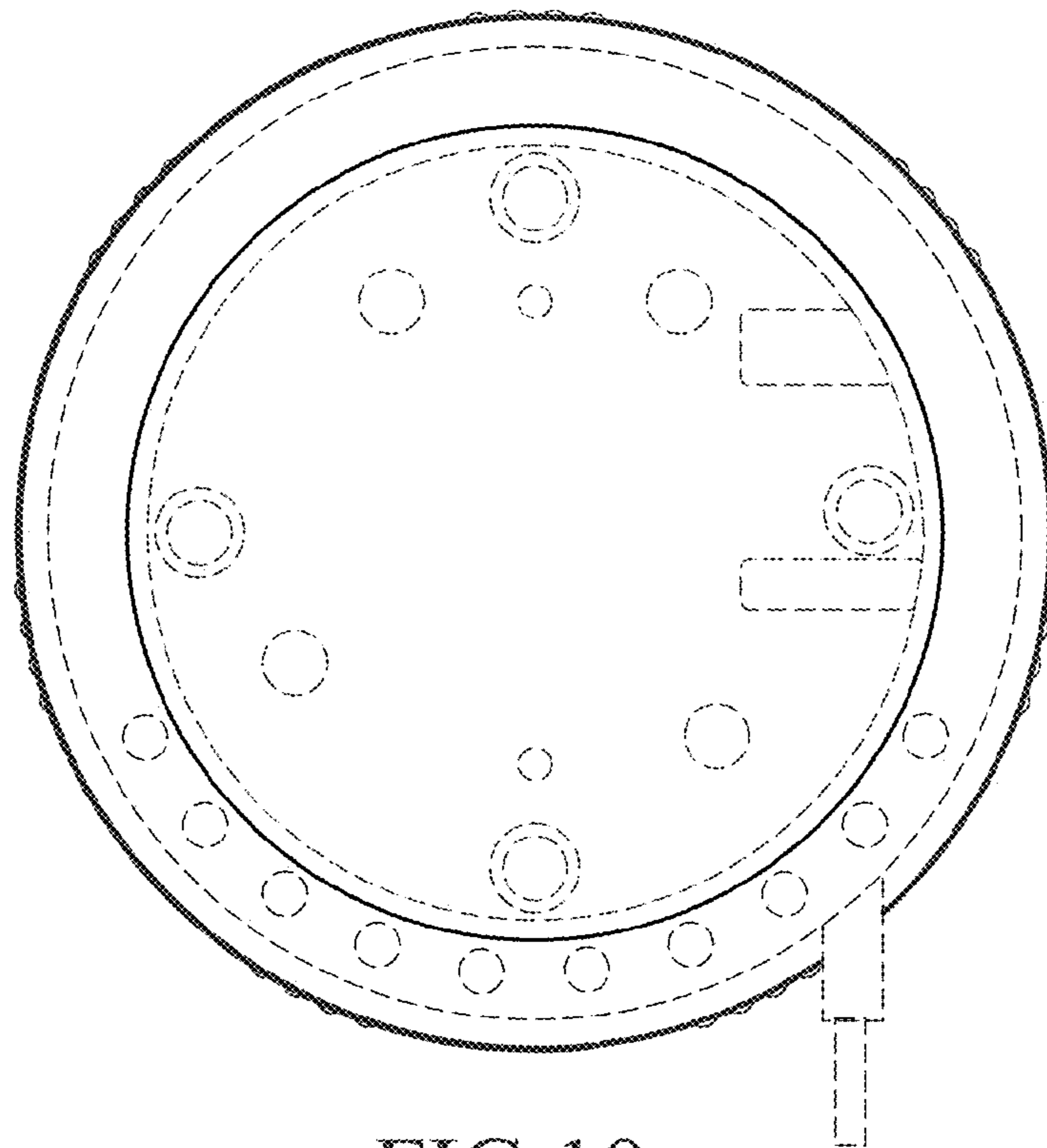


FIG. 10