

US00D935592S

(12) **United States Design Patent**
Gobber et al.

(10) **Patent No.:** **US D935,592 S**

(45) **Date of Patent:** **** Nov. 9, 2021**

- (54) **DIFFUSING EVAPORATOR OF ACTIVE SUBSTANCES**
- (71) Applicant: **ZOBELE HOLDING SPA**, Trento (IT)
- (72) Inventors: **Cedric Gobber**, Barcelona (ES);
Joaquim Llorente Alonso, Barcelona (ES)
- (73) Assignee: **ZOBELE HOLDING SPA**, Trento (IT)
- (**) Term: **15 Years**
- (21) Appl. No.: **29/663,592**
- (22) Filed: **Sep. 17, 2018**

(30) **Foreign Application Priority Data**

Mar. 19, 2018 (ES) D0528055

(51) **LOC (13) Cl.** **28-99**

(52) **U.S. Cl.**
USPC **D23/366**

(58) **Field of Classification Search**

USPC D23/355, 358, 360, 364, 365, 366, 367,
D23/368, 369; D27/169, 194; D13/108
CPC . A61L 9/03; A61L 9/012; A61L 9/015; A61L
9/037; F41J 1/01; B60H 3/00
See application file for complete search history.

(56) **References Cited**

U.S. PATENT DOCUMENTS

D613,388 S *	4/2010	Koenig	D23/366
D621,923 S *	8/2010	Koenig	D23/366
D724,193 S *	3/2015	Esses	D23/366

D768,835 S *	10/2016	Lane	D23/366
D802,404 S *	11/2017	Turksu	D8/373
D850,599 S *	6/2019	Gobber	D23/368
D850,600 S *	6/2019	Gobber	D23/368
D874,630 S *	2/2020	Lee	D23/366
D880,672 S *	4/2020	Gobber	D23/366
D900,990 S *	11/2020	Kim	D23/366
D907,186 S *	1/2021	Gobber	D23/366
2005/0127538 A1 *	6/2005	Fabrega	B60H 3/0028 261/104
2010/0314461 A1 *	12/2010	Gruenbacher	B60H 3/0028 239/6
2016/0256585 A1 *	9/2016	Esses	H05B 3/03
2017/0112955 A1 *	4/2017	Bourne	B60H 3/00
2018/0318462 A1 *	11/2018	Bourne	A61L 9/00
2020/0316242 A1 *	10/2020	Graus Ferrer	A61L 9/12

* cited by examiner

Primary Examiner — John A Voytek

(74) *Attorney, Agent, or Firm* — Ostrolenk Faber LLP

(57) **CLAIM**

The ornamental design for a diffusing evaporator of active substances, as shown and described.

DESCRIPTION

FIG. 1 is a top, front and left side perspective view of a diffusing evaporator of active substances, according to our new design;

FIG. 2 is a front view thereof;

FIG. 3 is a top view thereof;

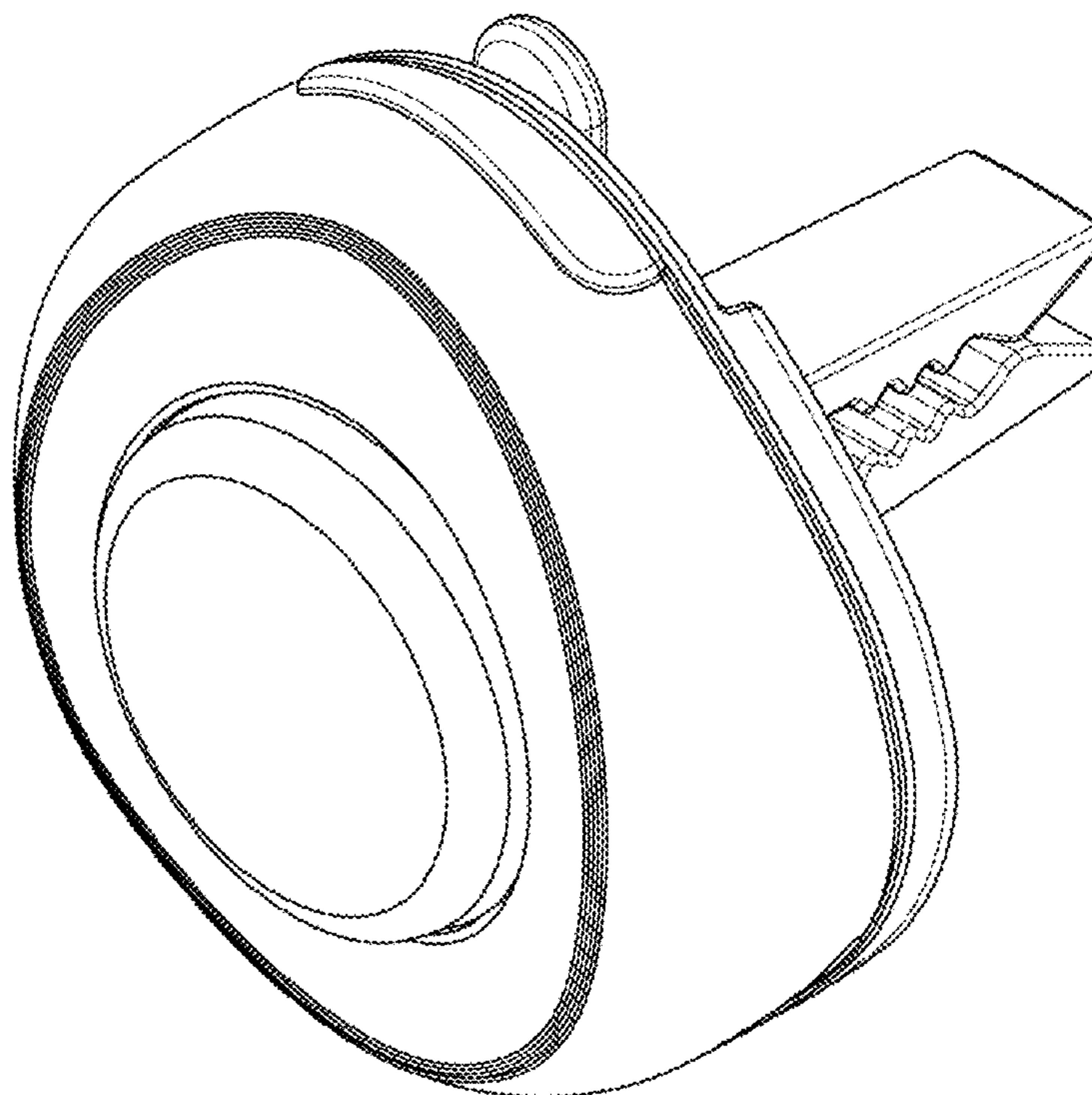
FIG. 4 is a left side view thereof;

FIG. 5 is a rear view thereof;

FIG. 6 is a bottom view thereof; and,

FIG. 7 is a right side view thereof.

1 Claim, 7 Drawing Sheets



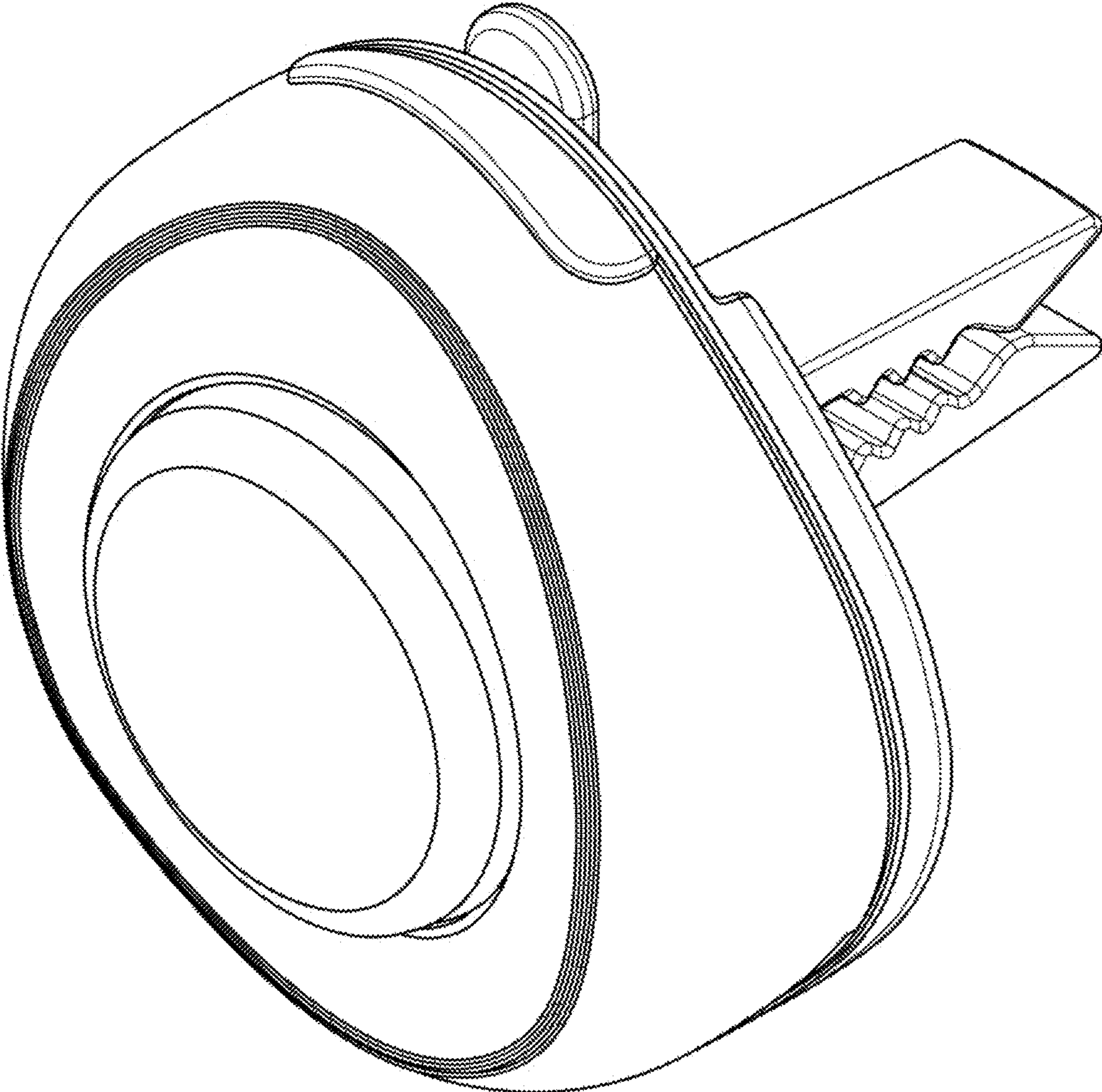


FIG. 1

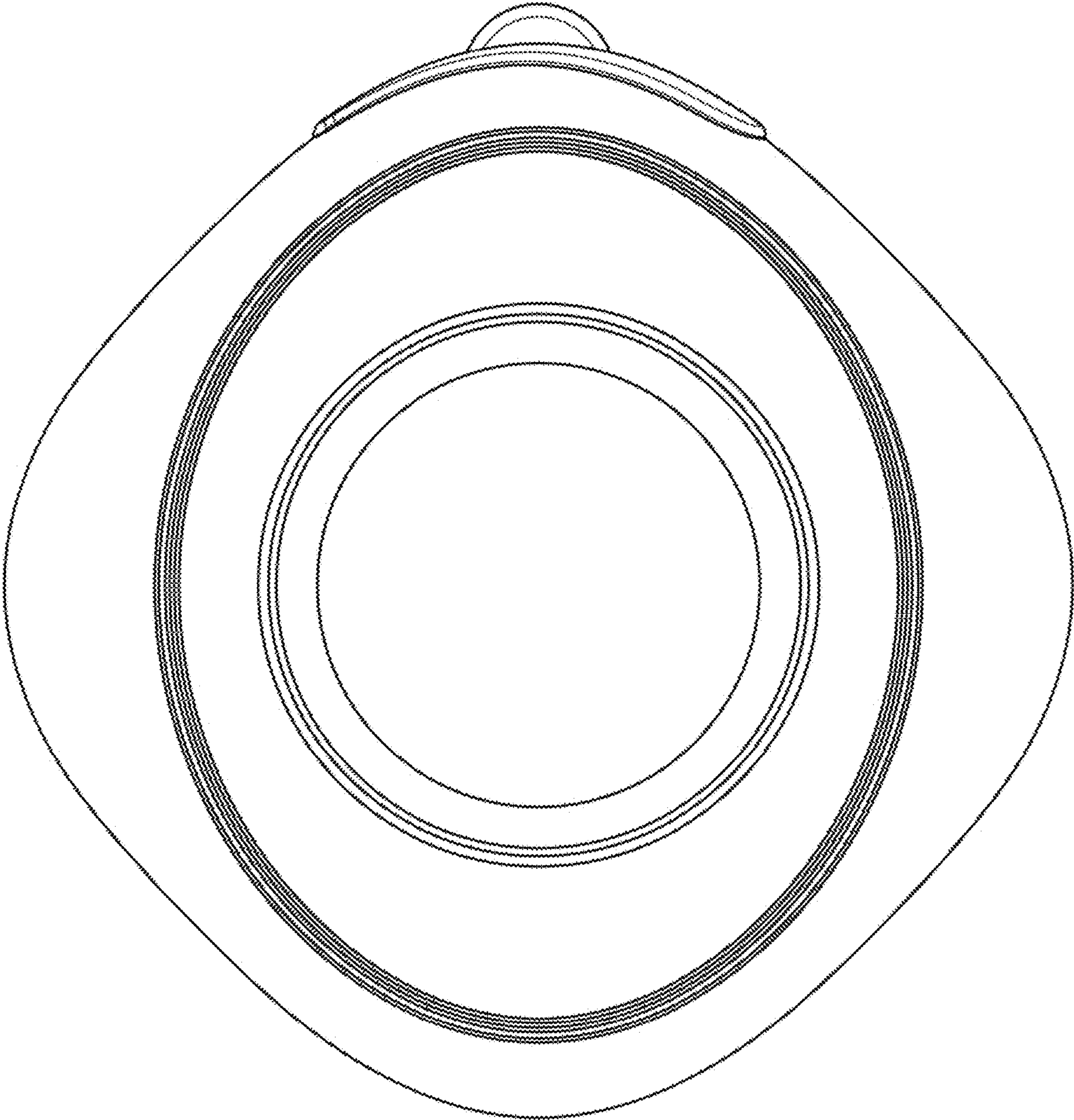


FIG. 2

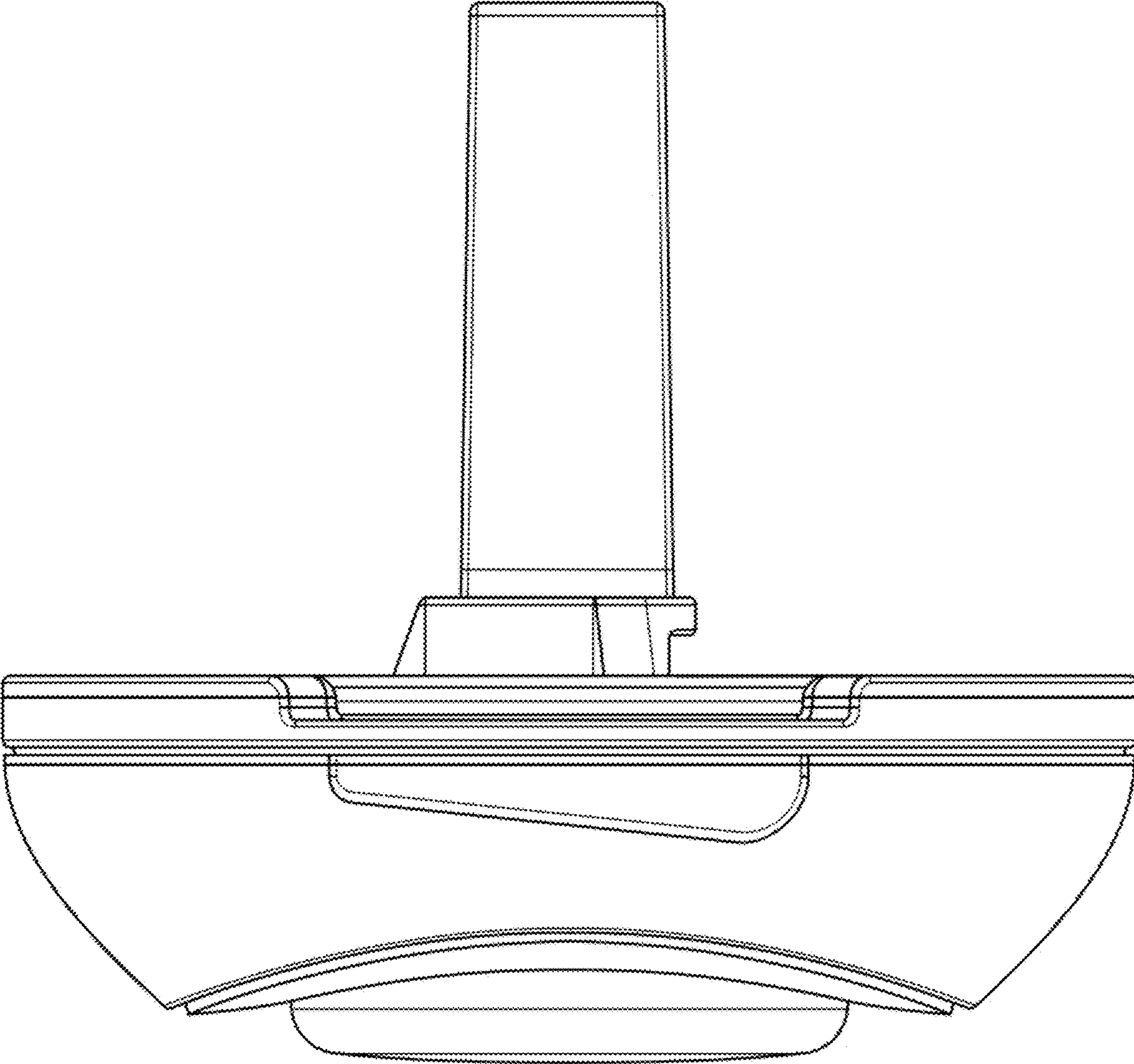


FIG. 3

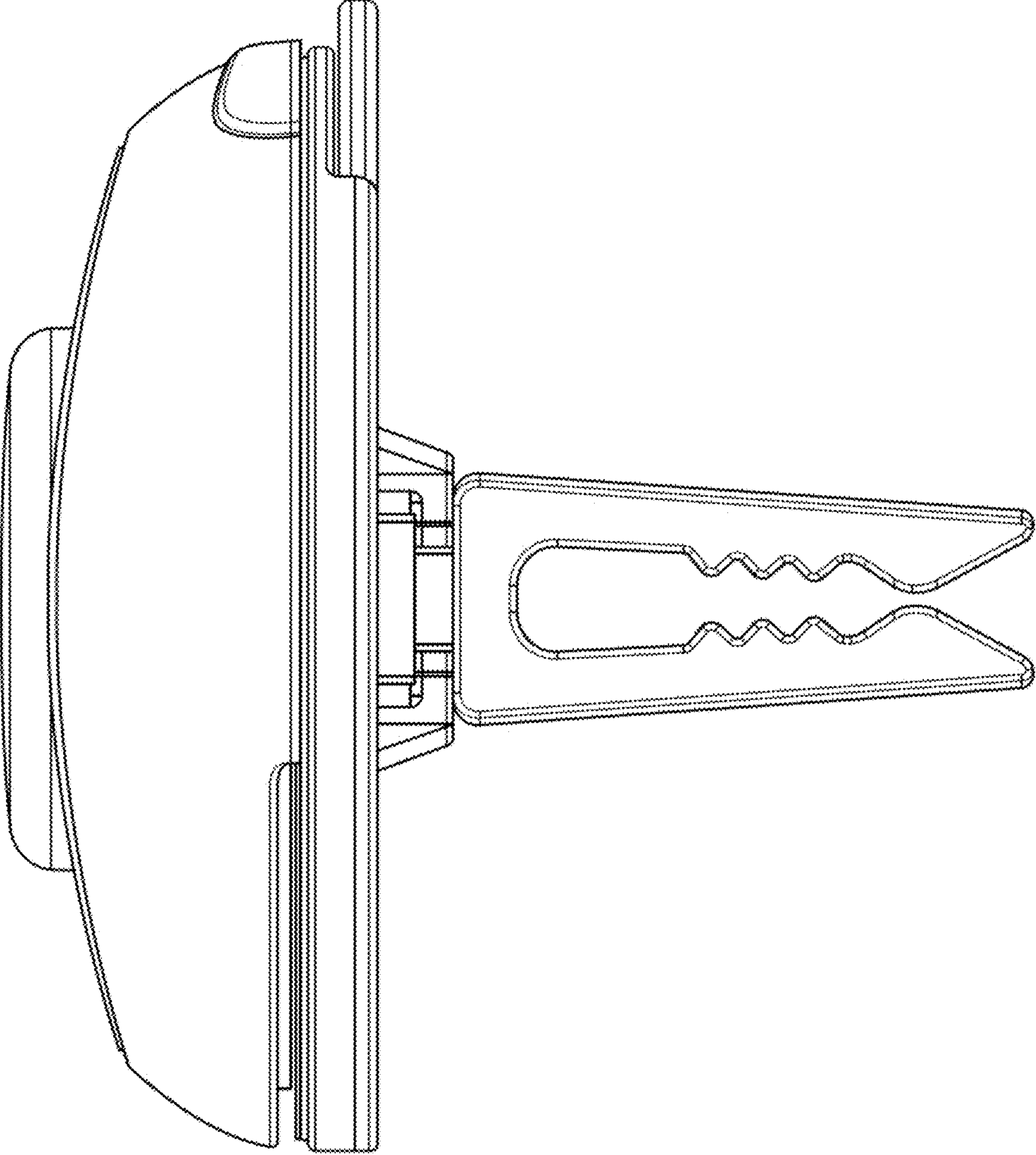


FIG. 4

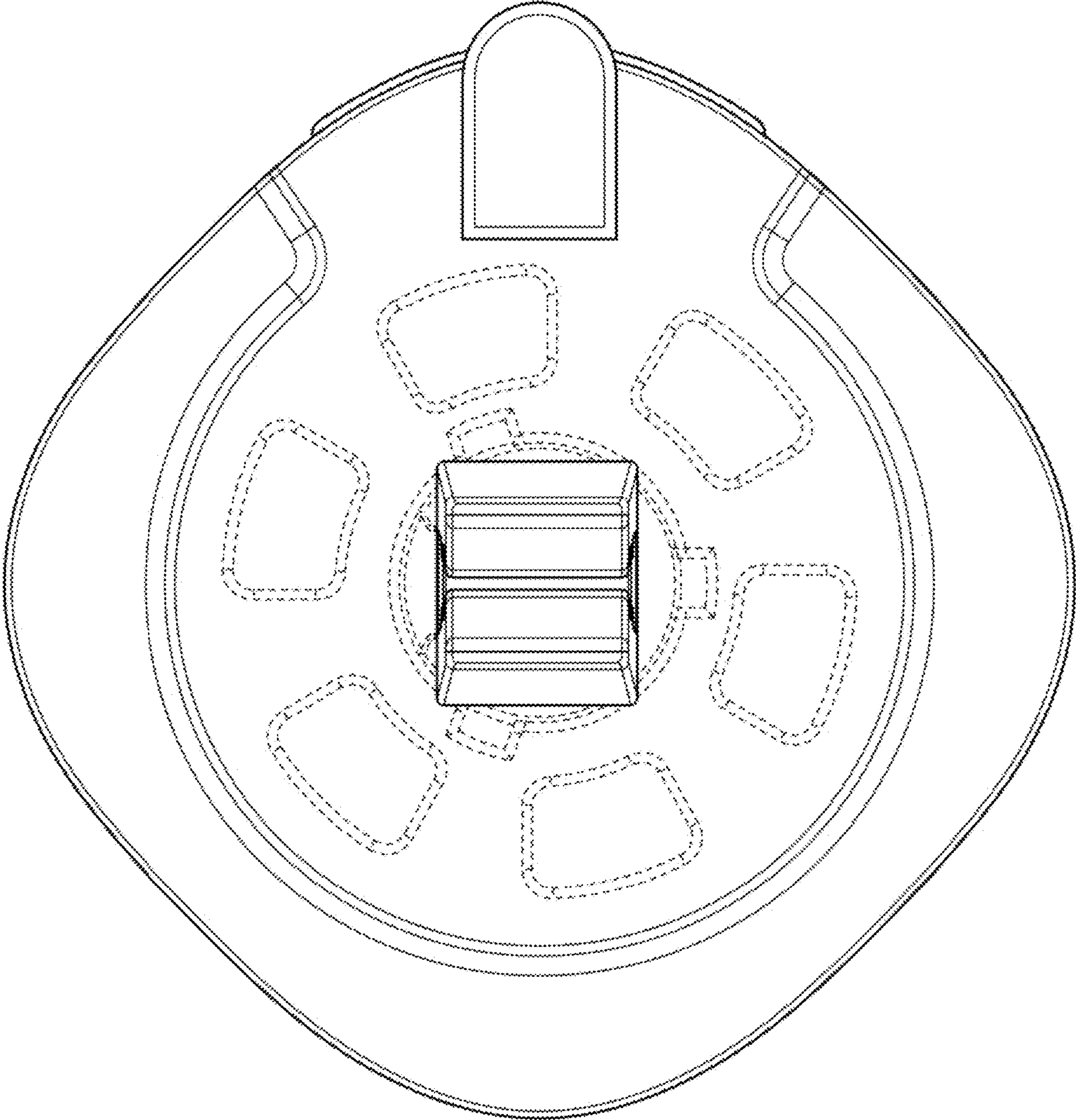


FIG. 5

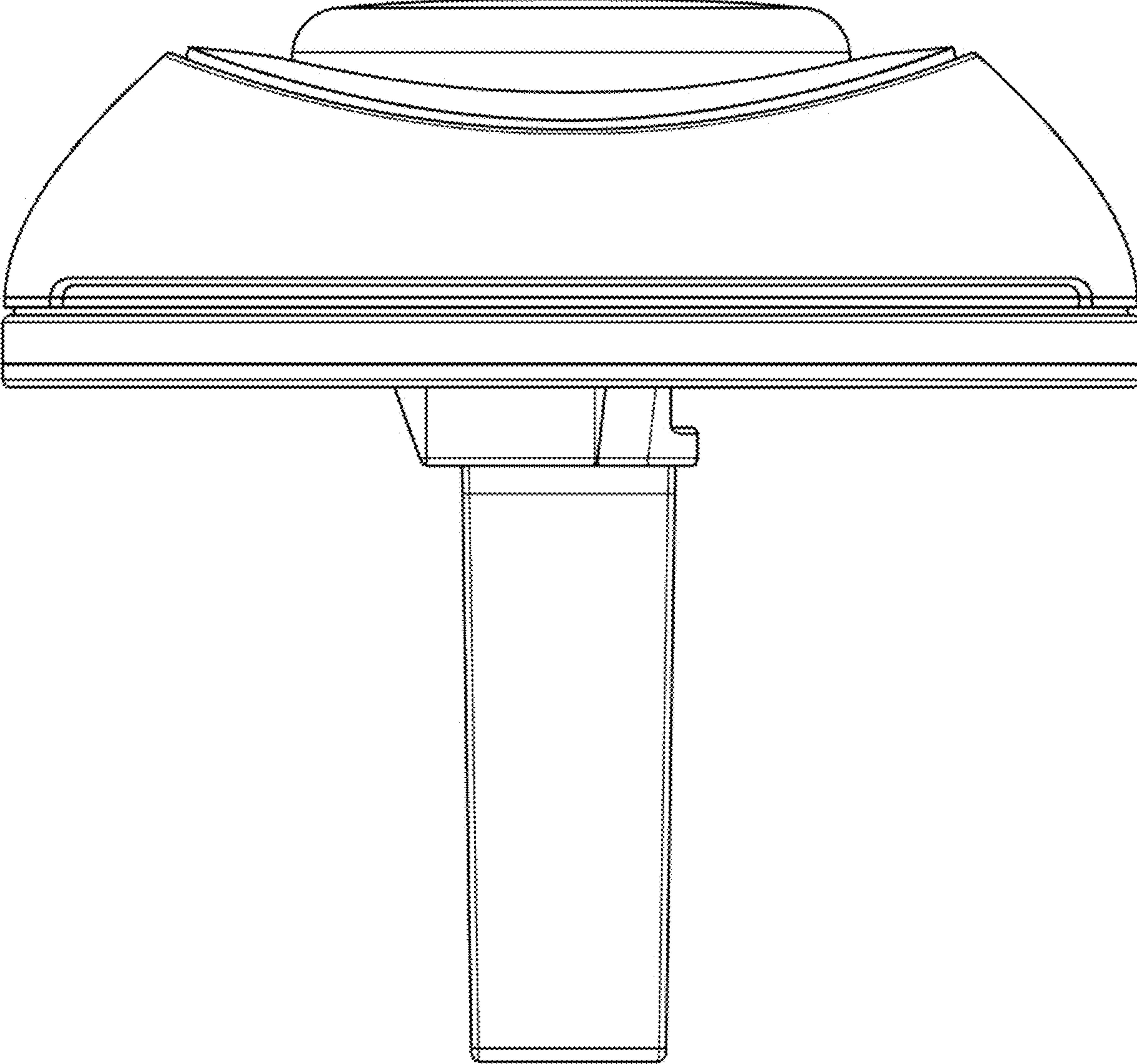


FIG. 6

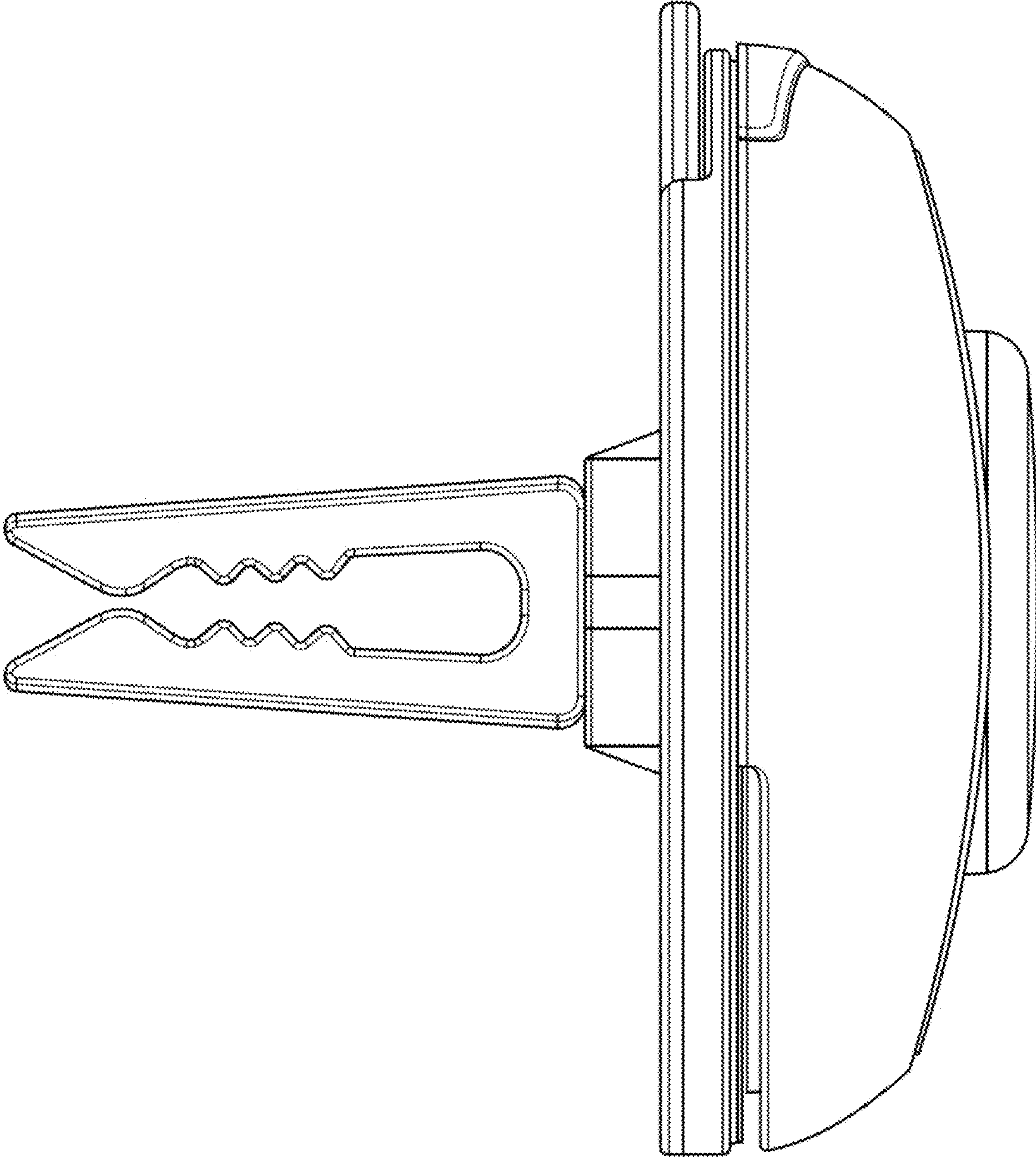


FIG. 7