



US00D935588S

(12) **United States Design Patent** (10) **Patent No.:** **US D935,588 S**
LaPorte et al. (45) **Date of Patent:** **** Nov. 9, 2021**

(54) **AIR SANITIZER** D921,869 S * 6/2021 Han B01D 46/0004
D23/364
(71) Applicant: **PHONESOAP LLC**, Lindon, UT (US) 2015/0231645 A1* 8/2015 Engberg F24F 8/192
96/88
(72) Inventors: **Wesley David LaPorte**, Provo, UT 2020/0061231 A1* 2/2020 Jeong B01D 46/0004
(US); **Hank Howell**, Provo, UT (US)

FOREIGN PATENT DOCUMENTS

(73) Assignee: **Phonsoap LLC**, Lehi, UT (US) CN 305204616 * 6/2019
KR 300977425.0000 * 10/2018

(**) Term: **15 Years**

OTHER PUBLICATIONS

(21) Appl. No.: **29/719,637**

(22) Filed: **Jan. 6, 2020**

Medify Air Purifier 2019 found on Jun. 16, 2021 at Medify Air Purifier 2019 found on Jun. 16, 2021 at <https://medifyair.com/products/ma-112> (Year: 2019).*

(51) **LOC (13) Cl.** **23-01**

(52) **U.S. Cl.**
USPC **D23/364**

* cited by examiner

(58) **Field of Classification Search**
USPC D23/356-365, 332, 333, 335, 352, 355,
D23/369
CPC A61L 9/01; A61L 9/06; A61L 9/22; B01D
47/00; B01D 47/027; B01D 2221/02;
F24F 3/16; F24F 13/28

Primary Examiner — Karen S Acker
Assistant Examiner — Jonathan E Fiencke
(74) *Attorney, Agent, or Firm* — Stoel Rives LLP

See application file for complete search history.

(57) **CLAIM**

The ornamental design for an air sanitizer, as shown and described.

(56) **References Cited**

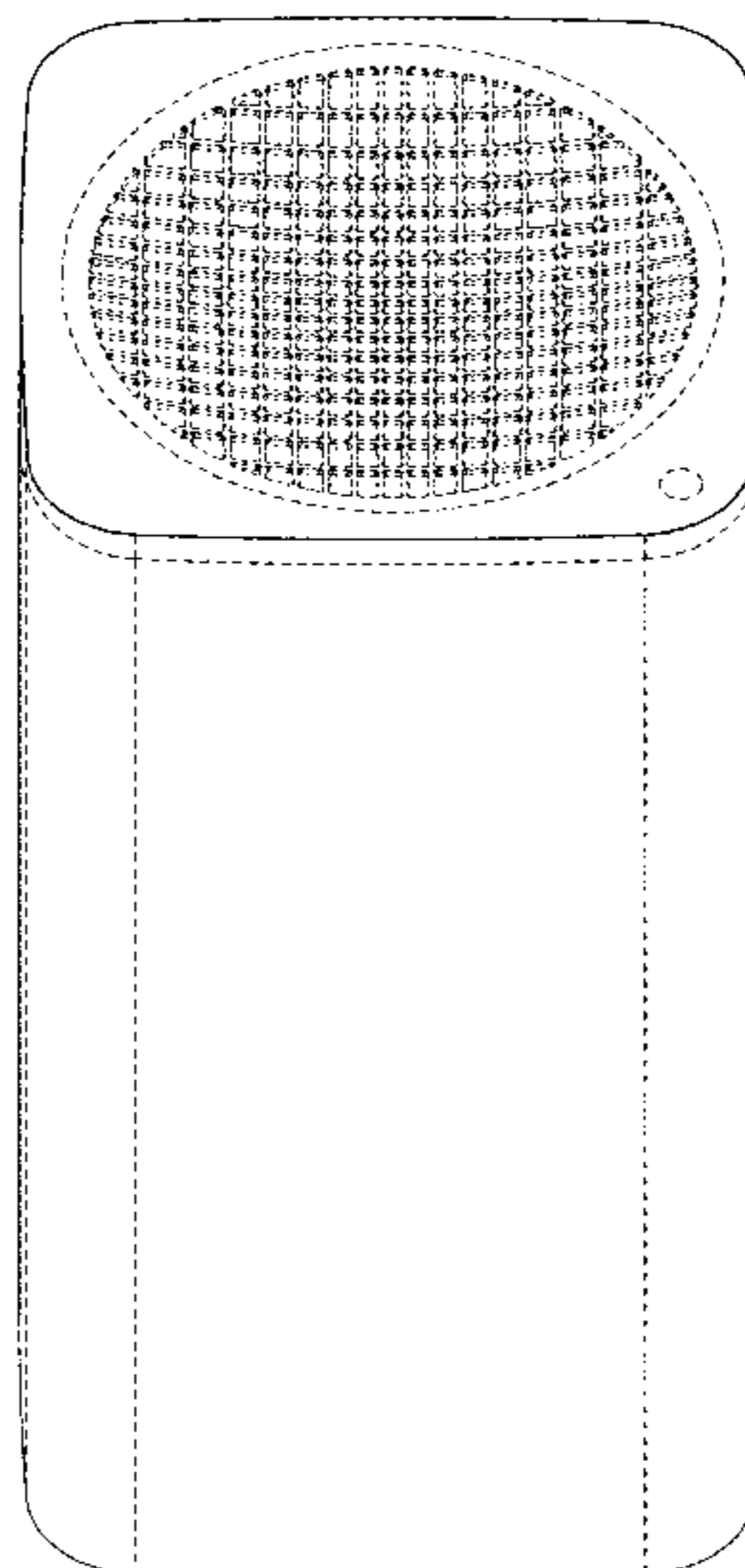
U.S. PATENT DOCUMENTS

DESCRIPTION

- D565,161 S * 3/2008 Harris, Jr. D23/364
- D639,413 S * 6/2011 Wu D23/364
- D705,410 S * 5/2014 Terao D23/364
- D750,209 S * 2/2016 Satou D23/364
- D755,942 S * 5/2016 Kim D23/364
- D782,019 S * 3/2017 Kim D23/364
- D791,297 S * 7/2017 Ljungstrom D23/364
- D798,430 S * 9/2017 Nord D23/364
- D799,016 S * 10/2017 Su D23/364
- D835,765 S * 12/2018 Chen D23/364
- D837,354 S * 1/2019 Su D23/364
- D852,344 S * 6/2019 Hua D23/364
- D862,673 S * 10/2019 Tang D23/364
- D865,148 S * 10/2019 Yoon D23/364
- D898,889 S * 10/2020 Yu D23/364
- D912,796 S * 3/2021 Huang D23/364
- D918,371 S * 5/2021 Zeng D23/364

FIG. 1 is a top perspective view of an air sanitizer, showing our new design;
FIG. 2 is a top rear perspective view thereof;
FIG. 3 is a top left-side perspective view thereof;
FIG. 4 is a top right-side perspective view thereof;
FIG. 5 is a top plan view thereof;
FIG. 6 is front elevation view thereof;
FIG. 7 is a rear elevation view thereof;
FIG. 8 is a left-side elevation view thereof; and,
FIG. 9 is a right-side elevation view thereof.
The broken lines depict portions of the air sanitizer that form no part of the claimed design.

1 Claim, 7 Drawing Sheets



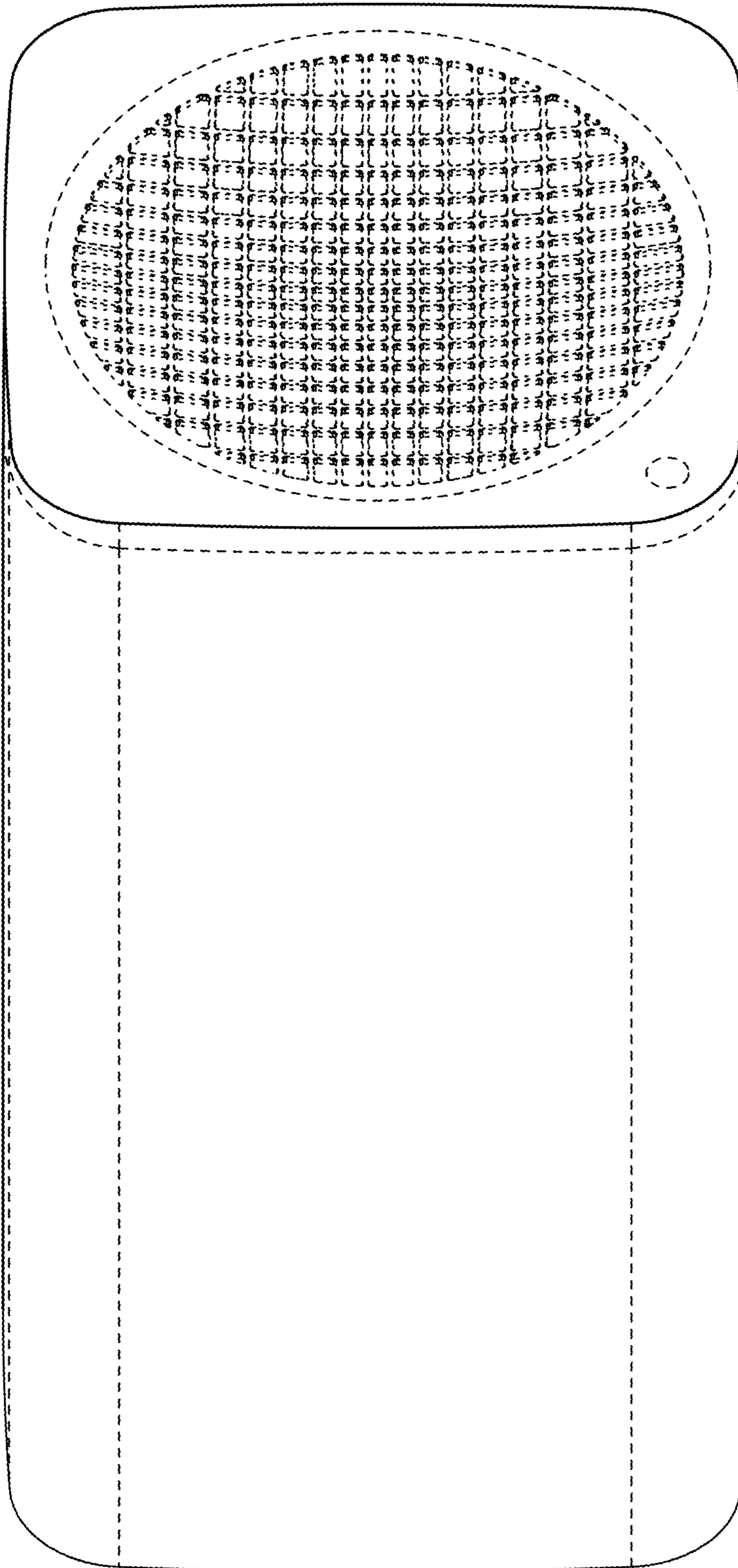


FIG. 1

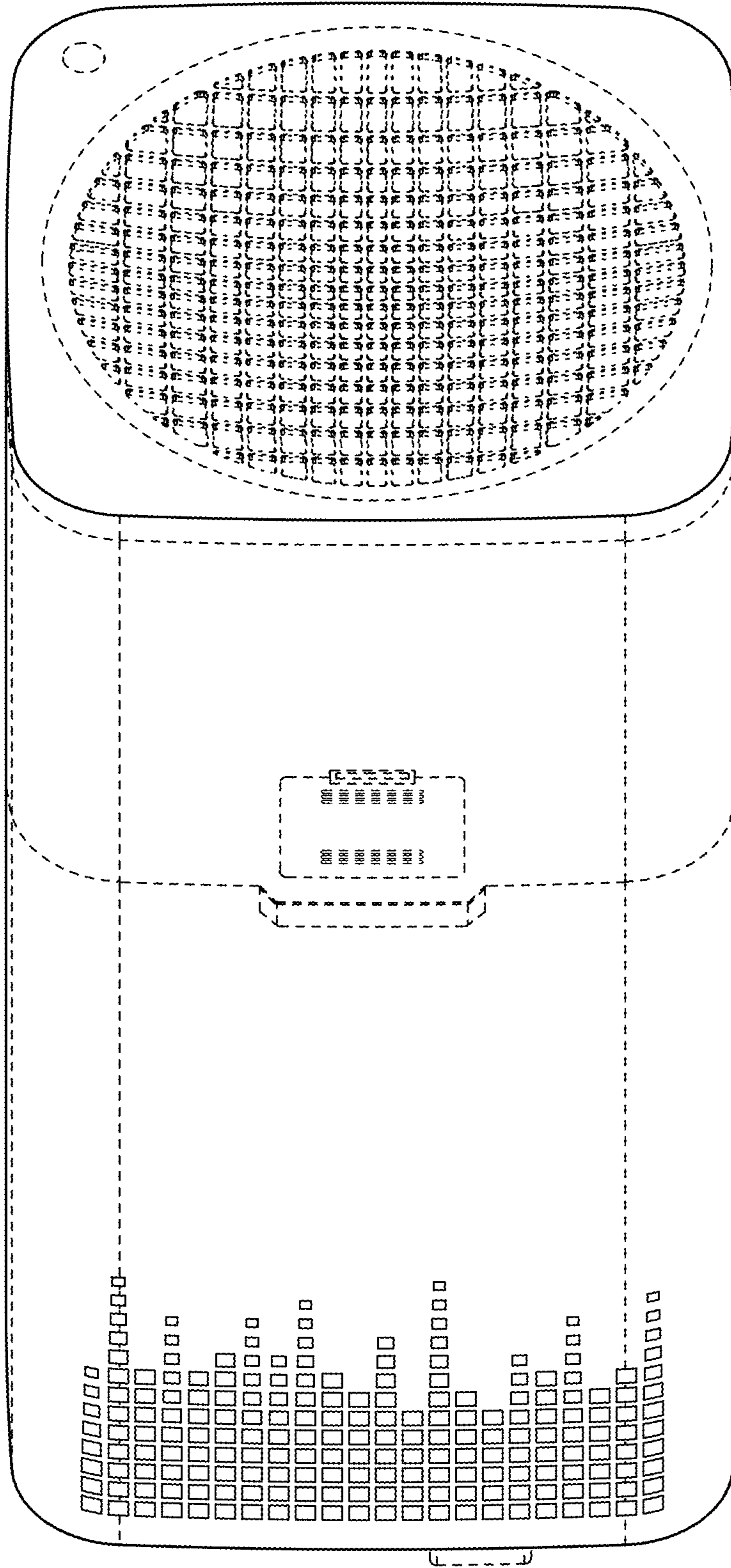


FIG. 2

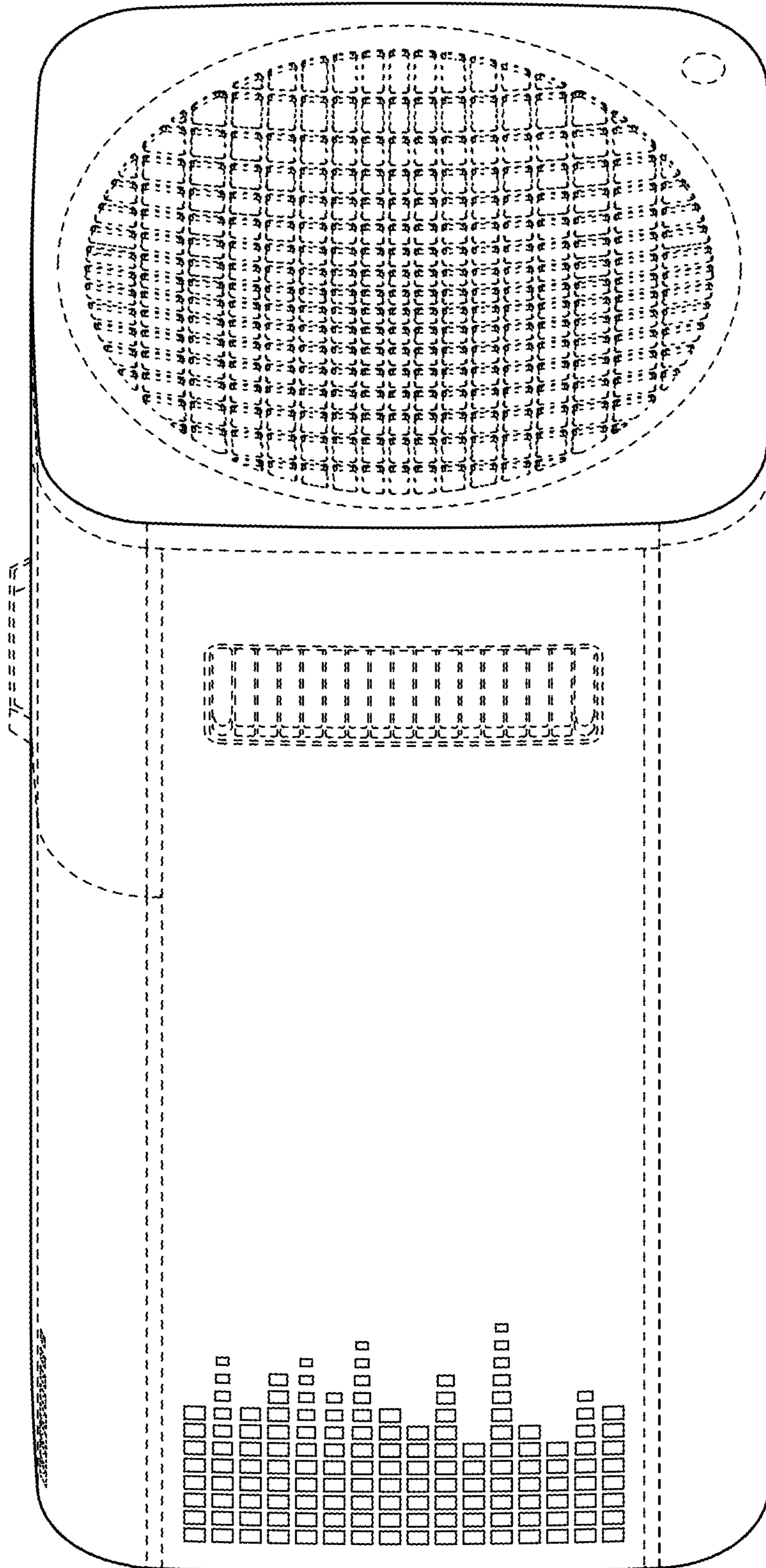


FIG. 3

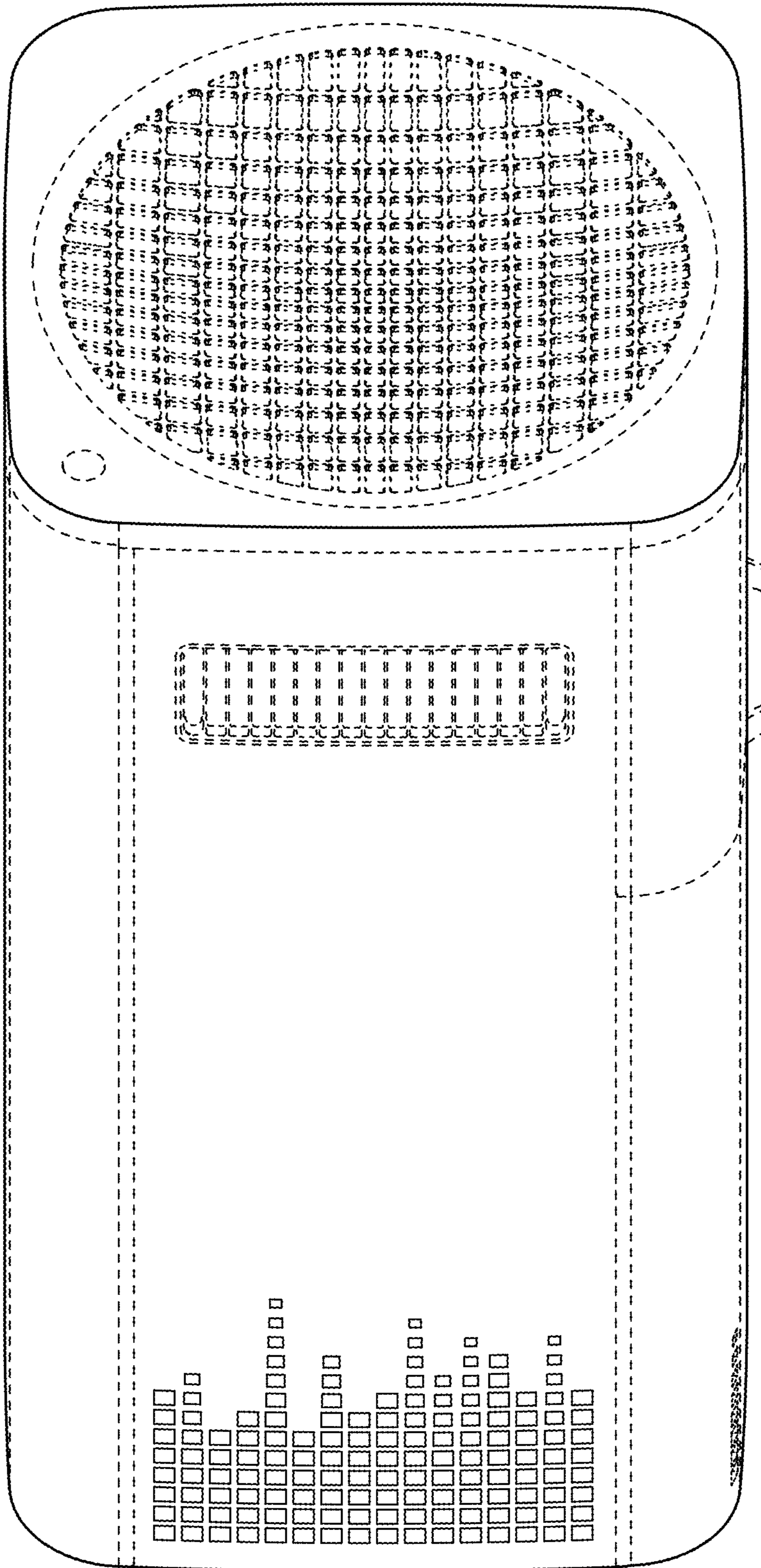


FIG. 4

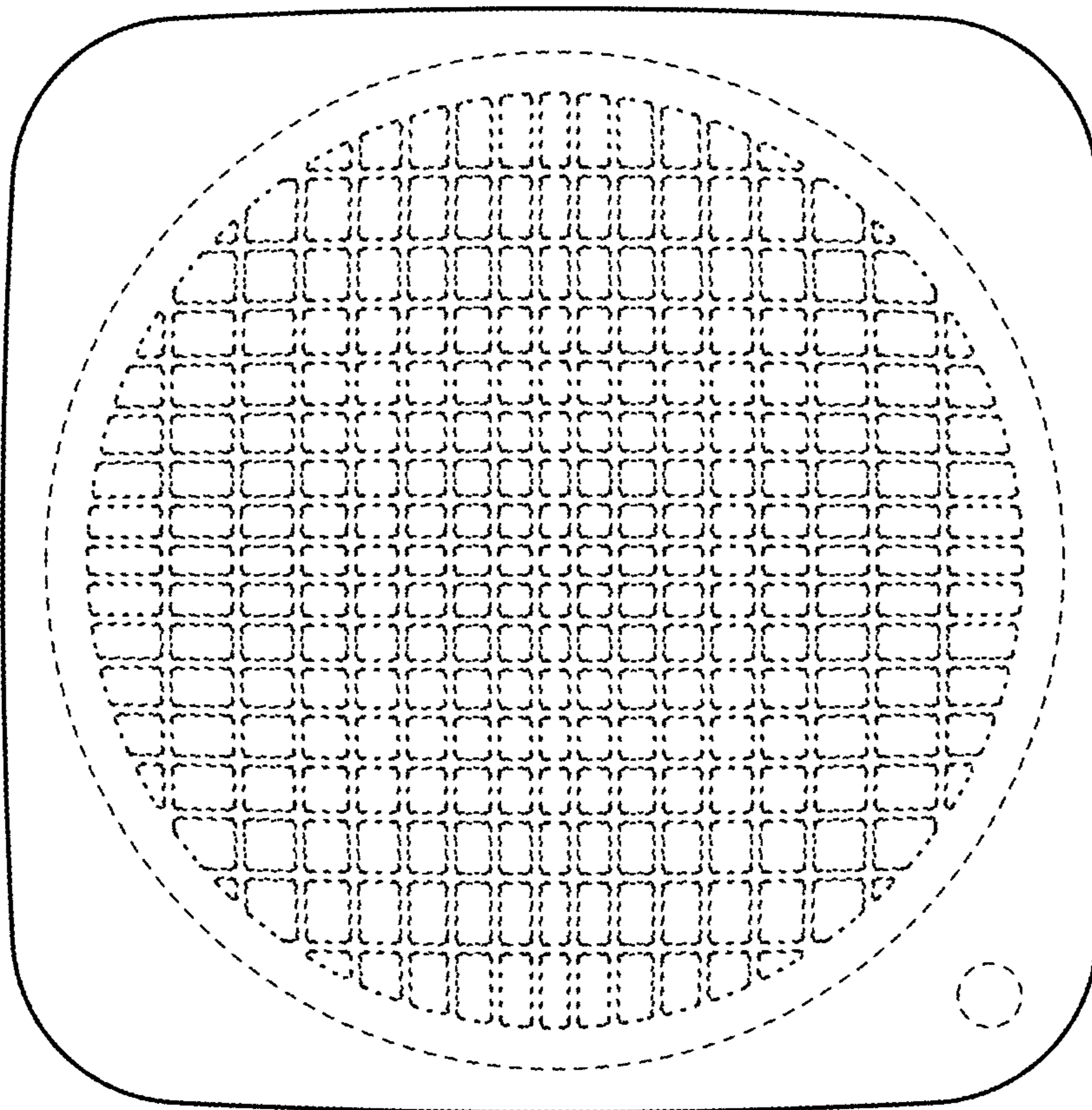


FIG. 5

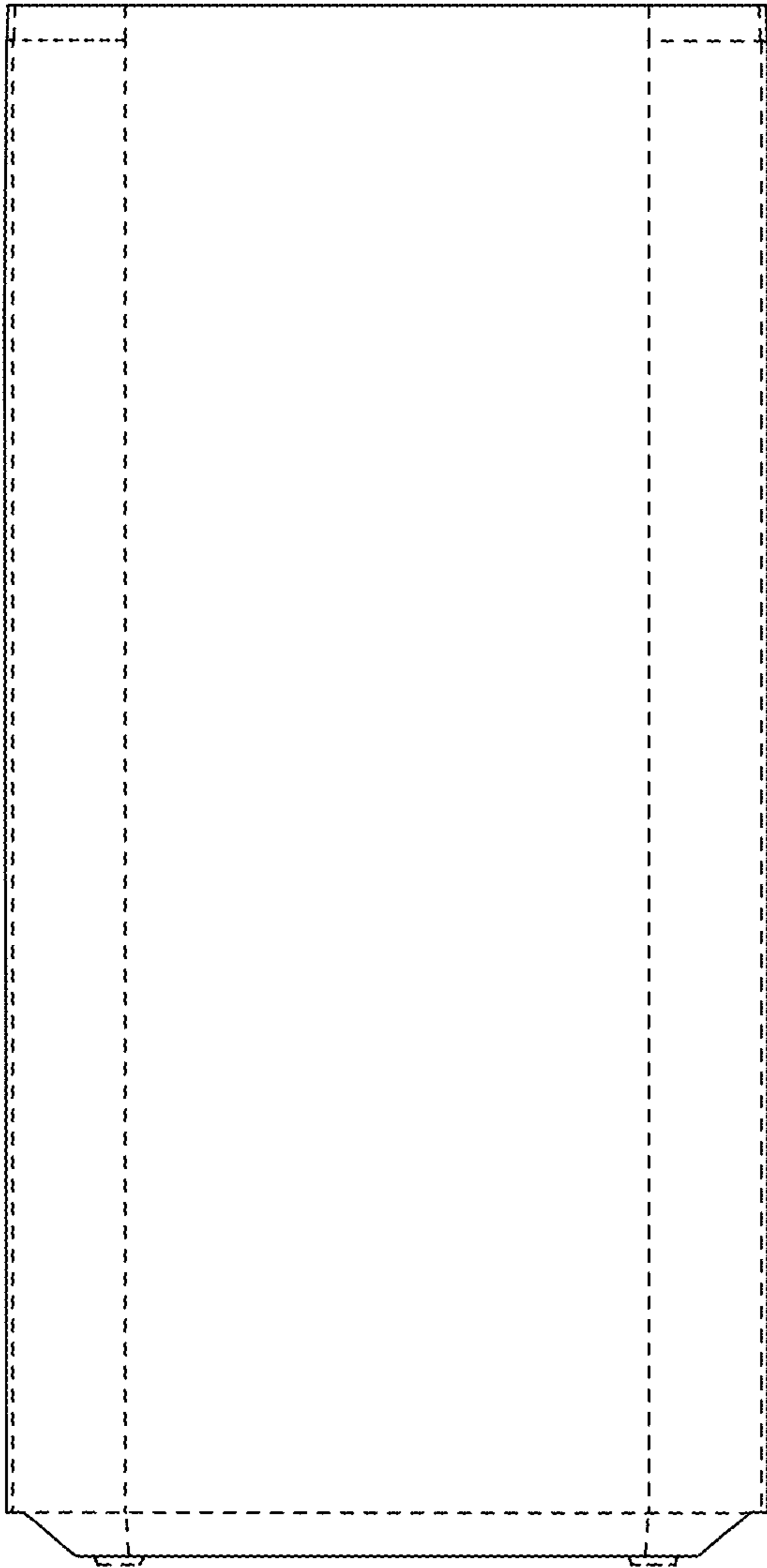


FIG. 6

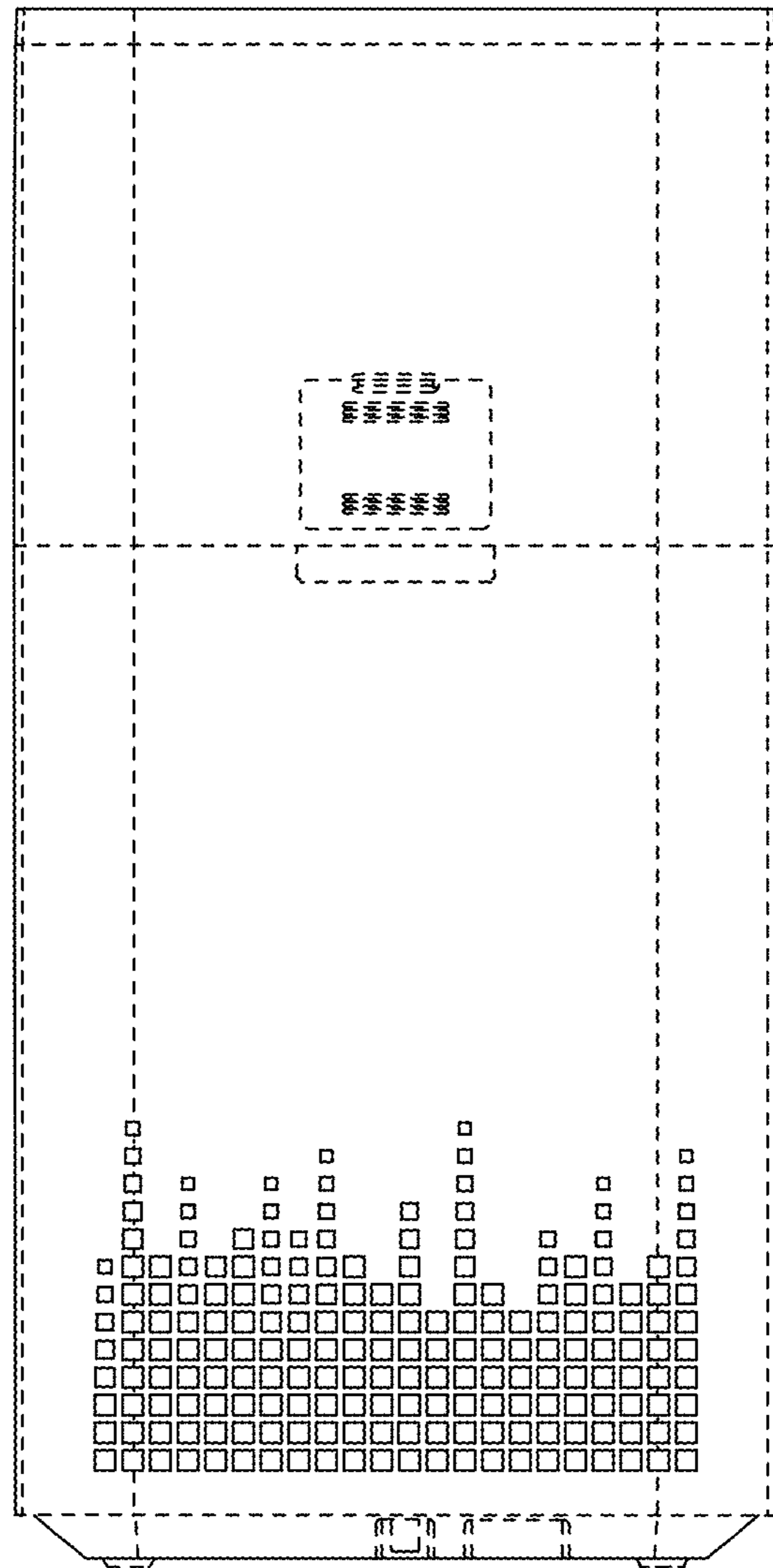


FIG. 7

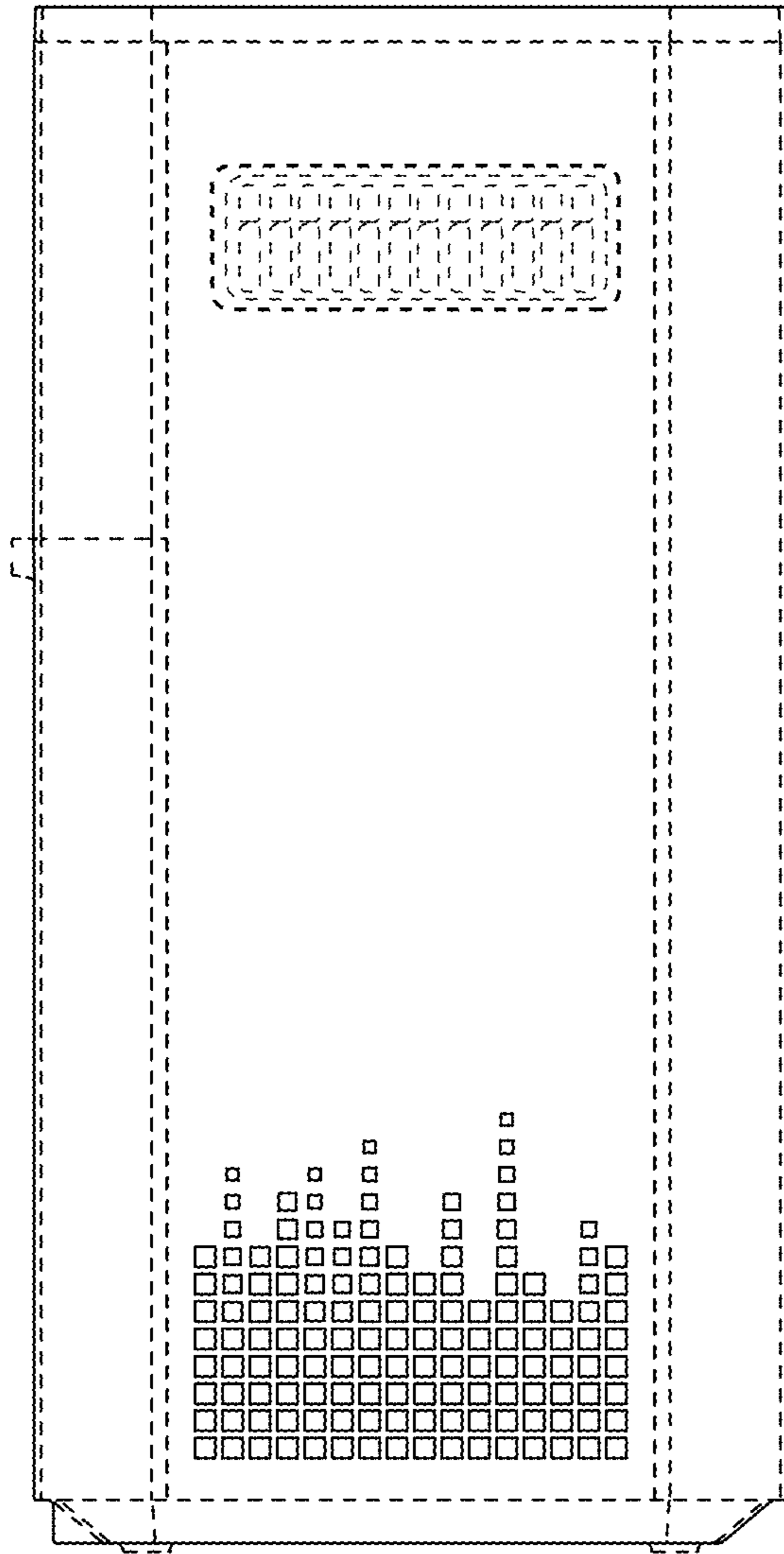


FIG. 8

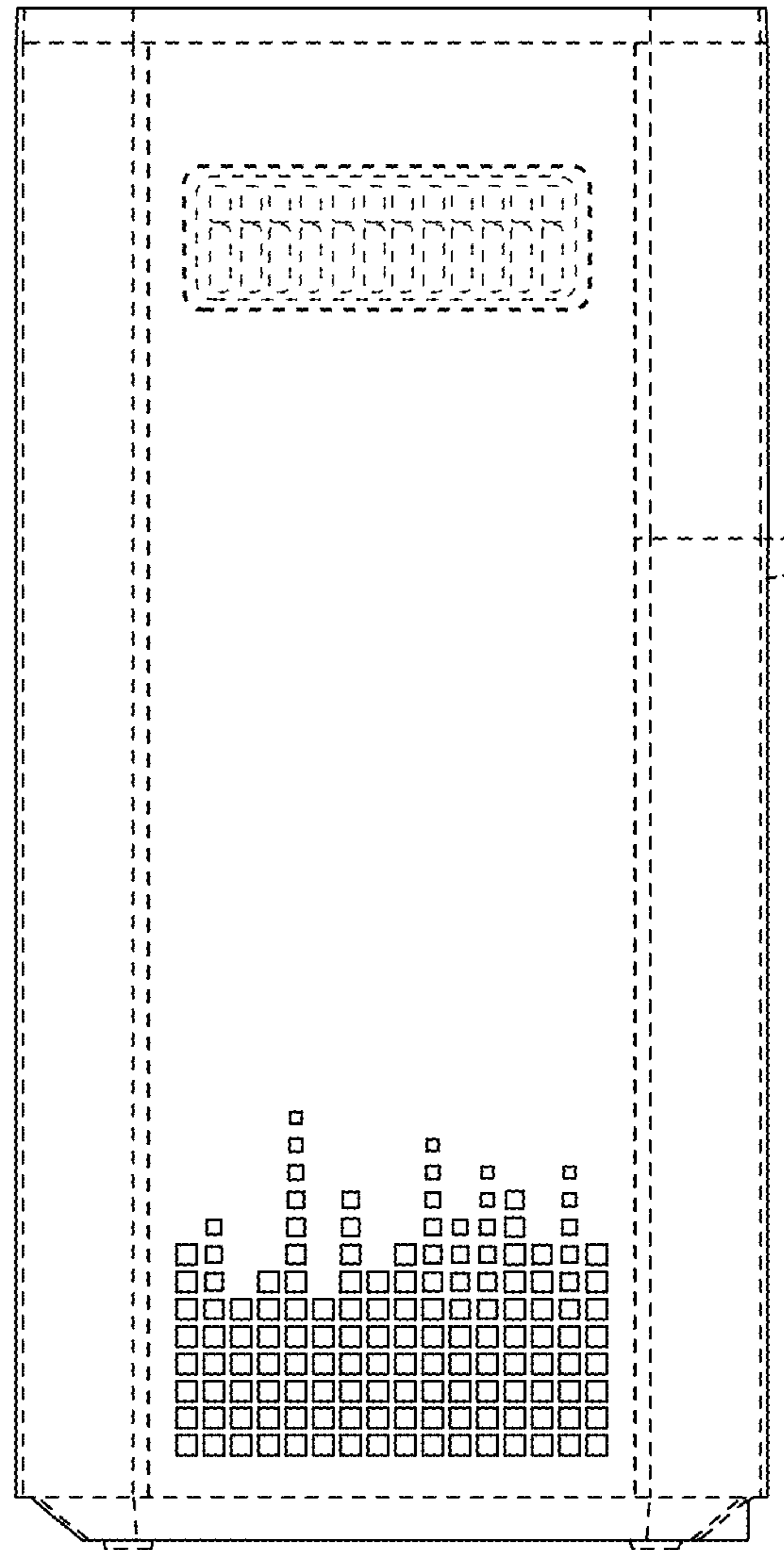


FIG. 9