



US00D935587S

(12) **United States Design Patent** (10) **Patent No.:** **US D935,587 S**
Wu (45) **Date of Patent:** **** Nov. 9, 2021**

(54) **CAR SOLAR PURIFIER**
(71) Applicant: **SHENZHEN BSV SOLAR ENERGY CO., LTD**, Shenzhen (CN)
(72) Inventor: **Huiqiang Wu**, Shenzhen (CN)
(**) Term: **15 Years**

(21) Appl. No.: **29/713,141**
(22) Filed: **Nov. 14, 2019**
(51) **LOC (13) Cl.** **23-04**
(52) **U.S. Cl.**
USPC **D23/364**
(58) **Field of Classification Search**
USPC D15/1-6; D23/209, 354, 358, 363-365, D23/386
CPC ... A61L 9/16; B01D 47/00; B01D 2259/4508; F24F 3/16; F24F 13/222
See application file for complete search history.

(56) **References Cited**

U.S. PATENT DOCUMENTS

D525,120 S * 7/2006 Maskell D9/428
D535,373 S * 1/2007 Chung D23/365
7,481,863 B2 * 1/2009 Oelpke B01D 25/001
55/521
D706,831 S * 6/2014 Schultz D15/5
D736,263 S * 8/2015 Schultz D15/5
D794,082 S * 8/2017 Krull D15/5
D794,766 S * 8/2017 Patton D23/366

D798,907 S * 10/2017 Krull D15/5
D799,657 S * 10/2017 Sullivan D23/365
D803,374 S * 11/2017 Patton D23/366
D819,698 S * 6/2018 Krull D15/5
D819,699 S * 6/2018 Krull D15/5
D838,823 S * 1/2019 Yu D23/364
D901,291 S * 11/2020 Grimsley D9/423
D914,187 S * 3/2021 Bink D23/365
2016/0296861 A1 * 10/2016 Lin B01D 46/527

* cited by examiner

Primary Examiner — Karen S Acker
Assistant Examiner — Jonathan Emil Fiencke

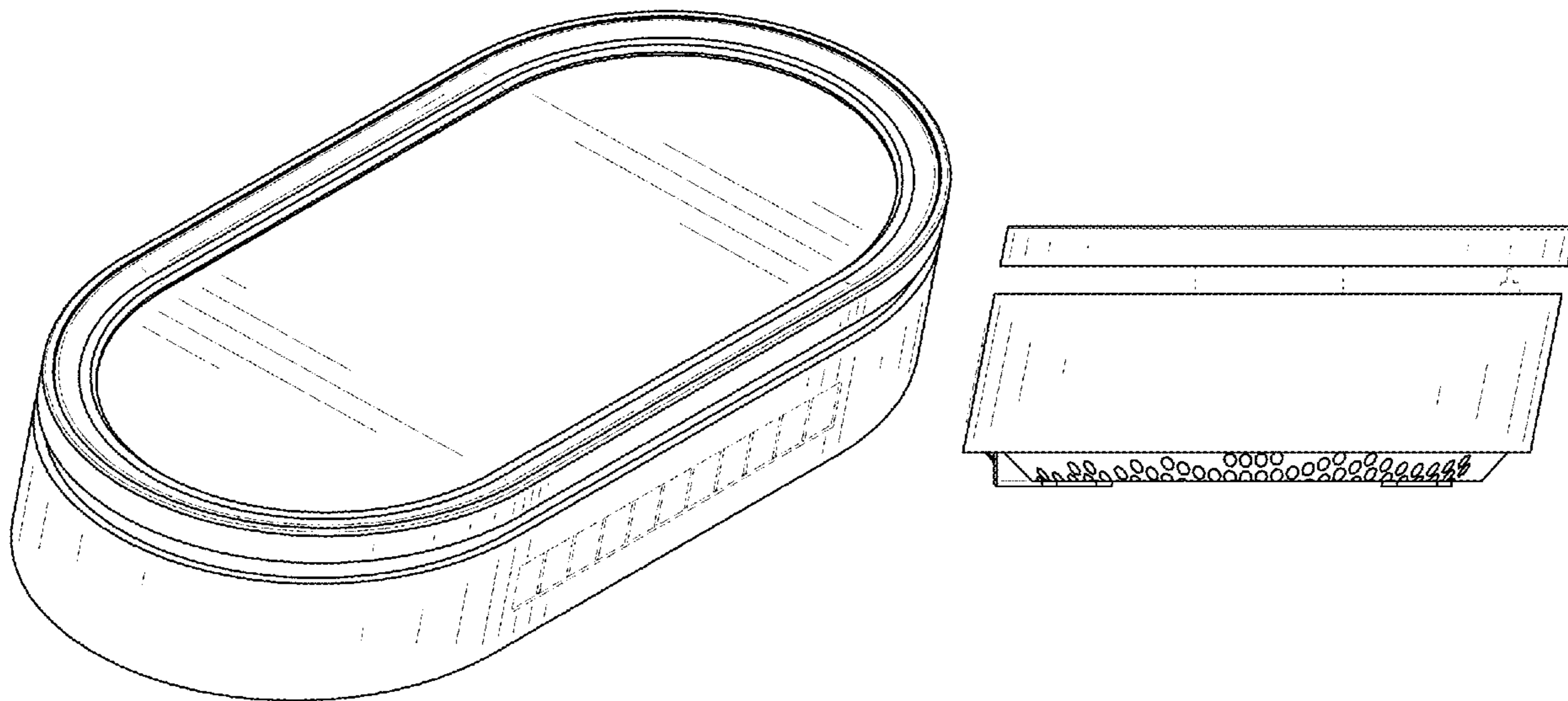
(57) **CLAIM**

The ornamental design for a car solar purifier, as shown and described.

DESCRIPTION

FIG. 1 is a first perspective view of a car solar purifier showing my new design;
FIG. 2 is a second perspective view thereof;
FIG. 3 is a front view thereof;
FIG. 4 is a back view thereof;
FIG. 5 is a left side view thereof;
FIG. 6 is a right side view thereof;
FIG. 7 is a top view thereof; and,
FIG. 8 is a bottom view thereof.
The broken lines shown in the drawings depict portions of the car solar purifier in which the design is embodied that form no part of the claimed design.

1 Claim, 8 Drawing Sheets



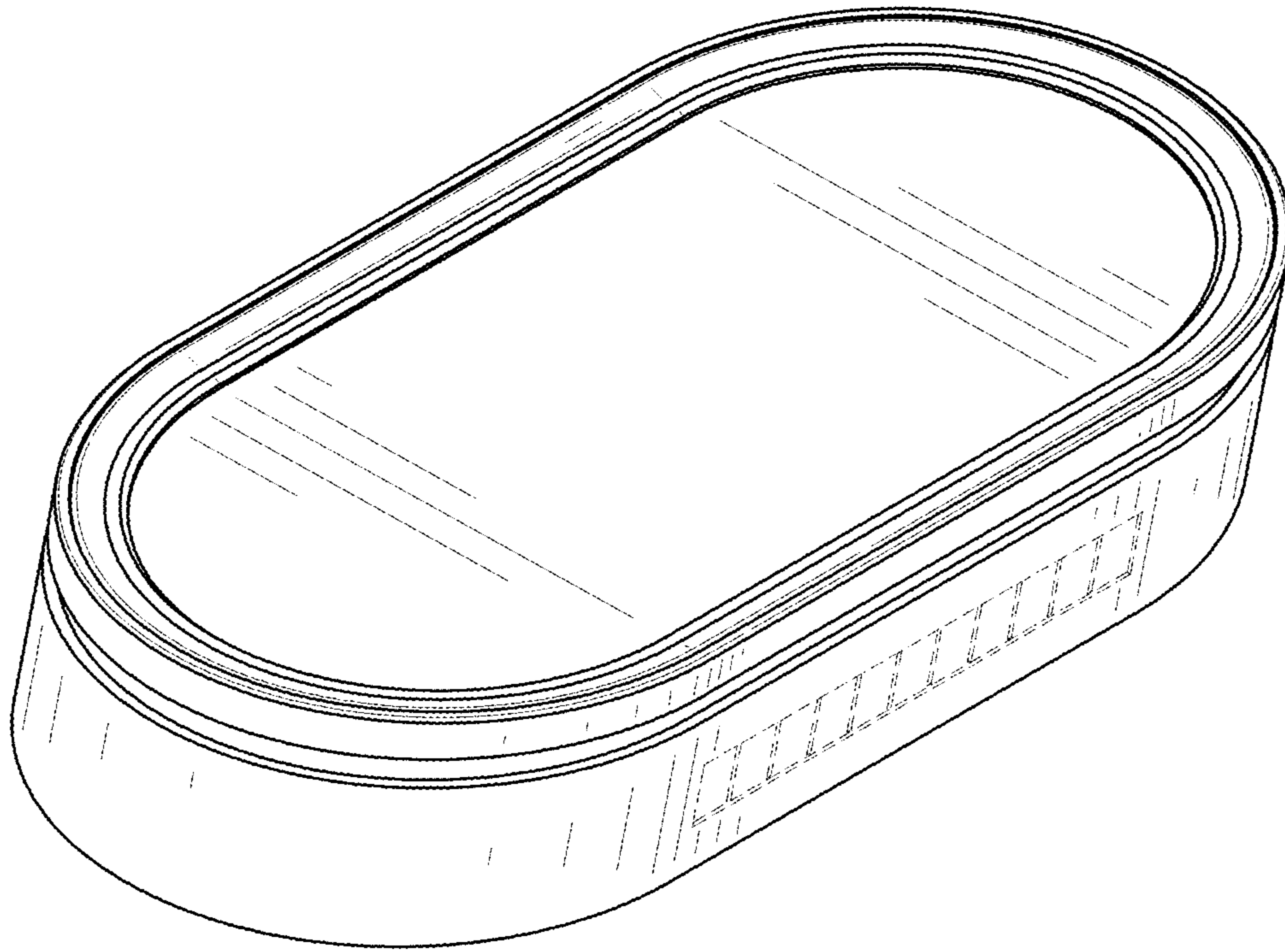


FIG. 1

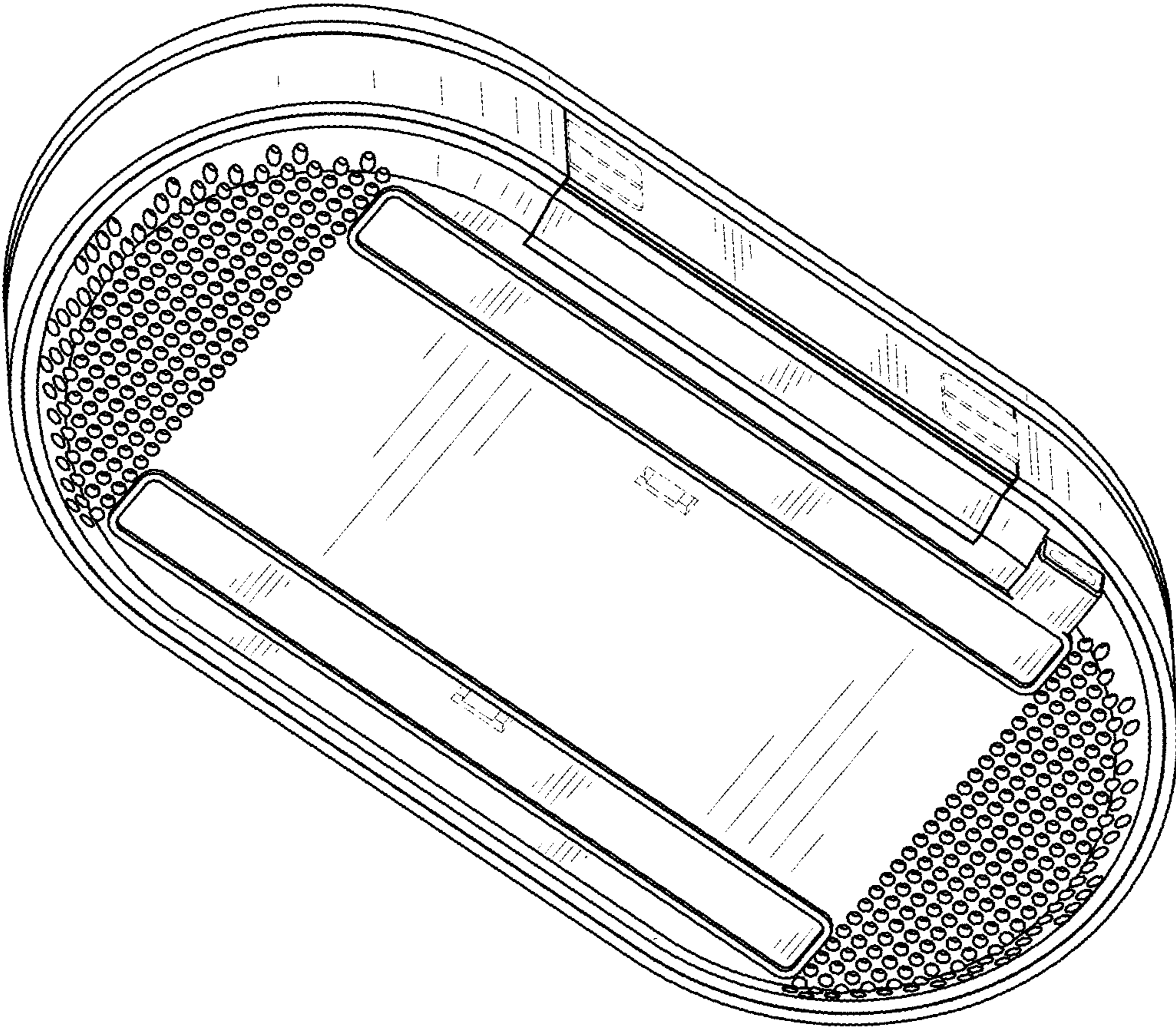


FIG. 2

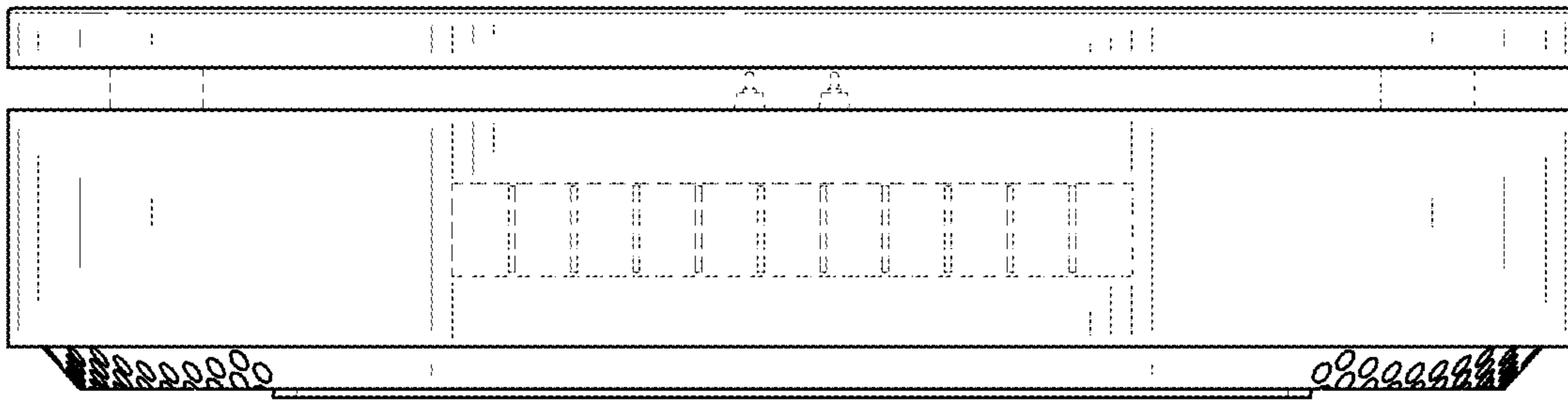


FIG. 3

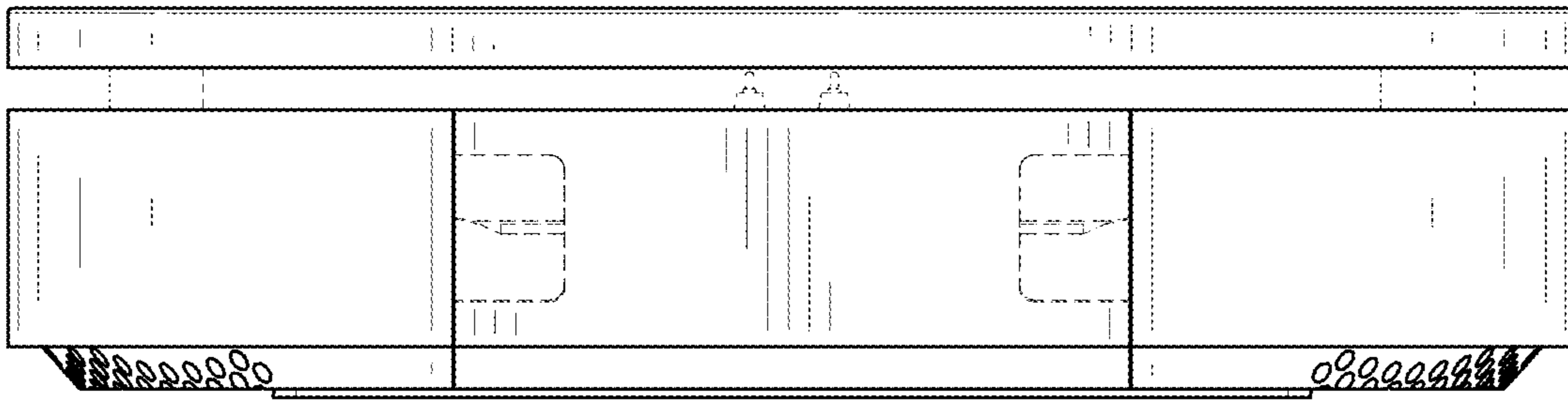


FIG. 4

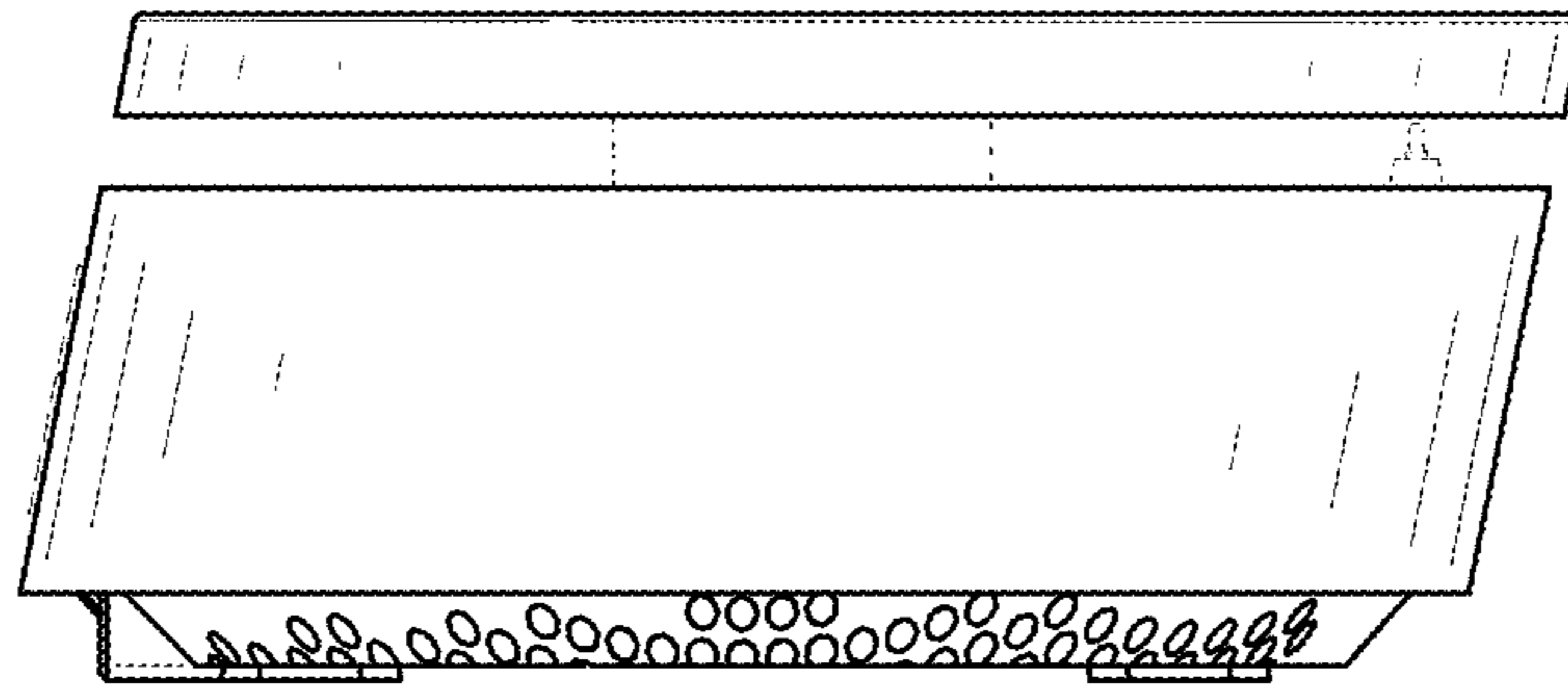


FIG. 5

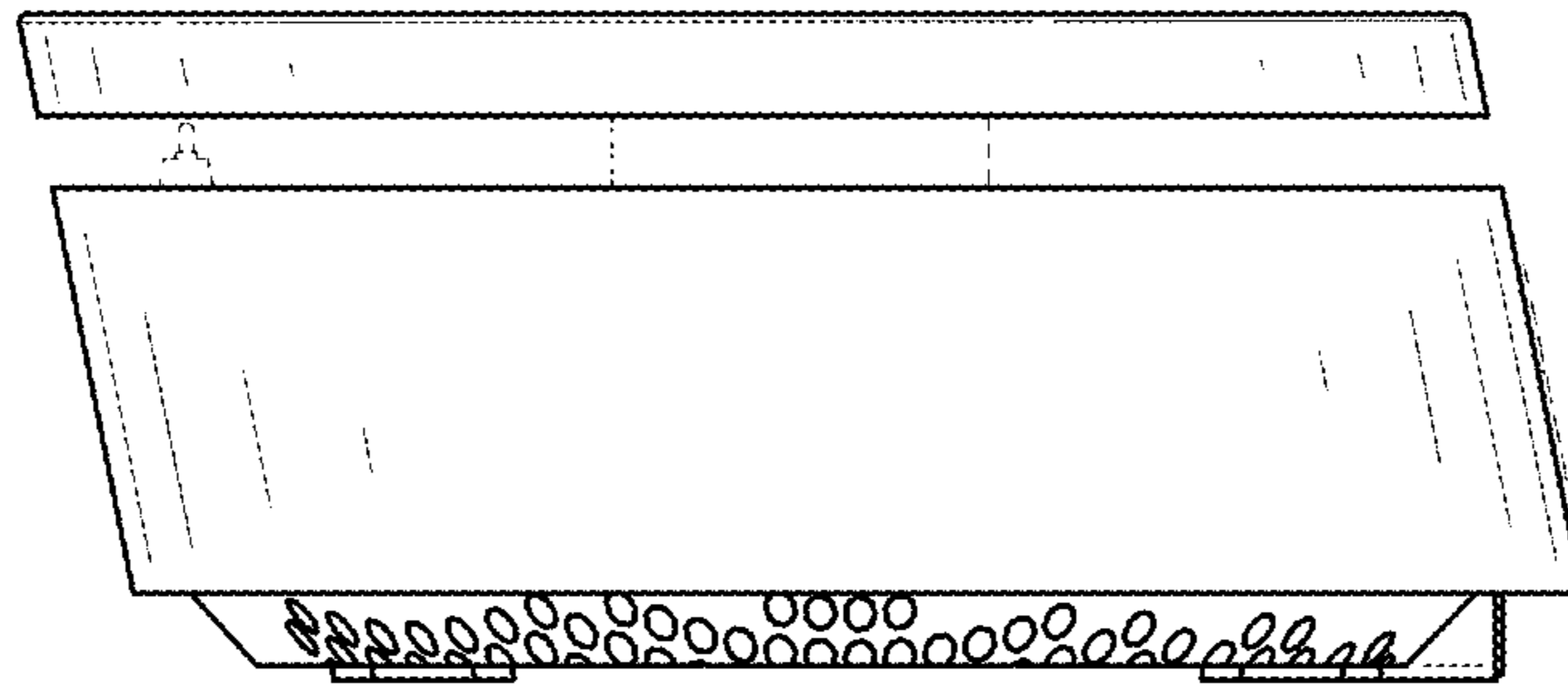


FIG. 6

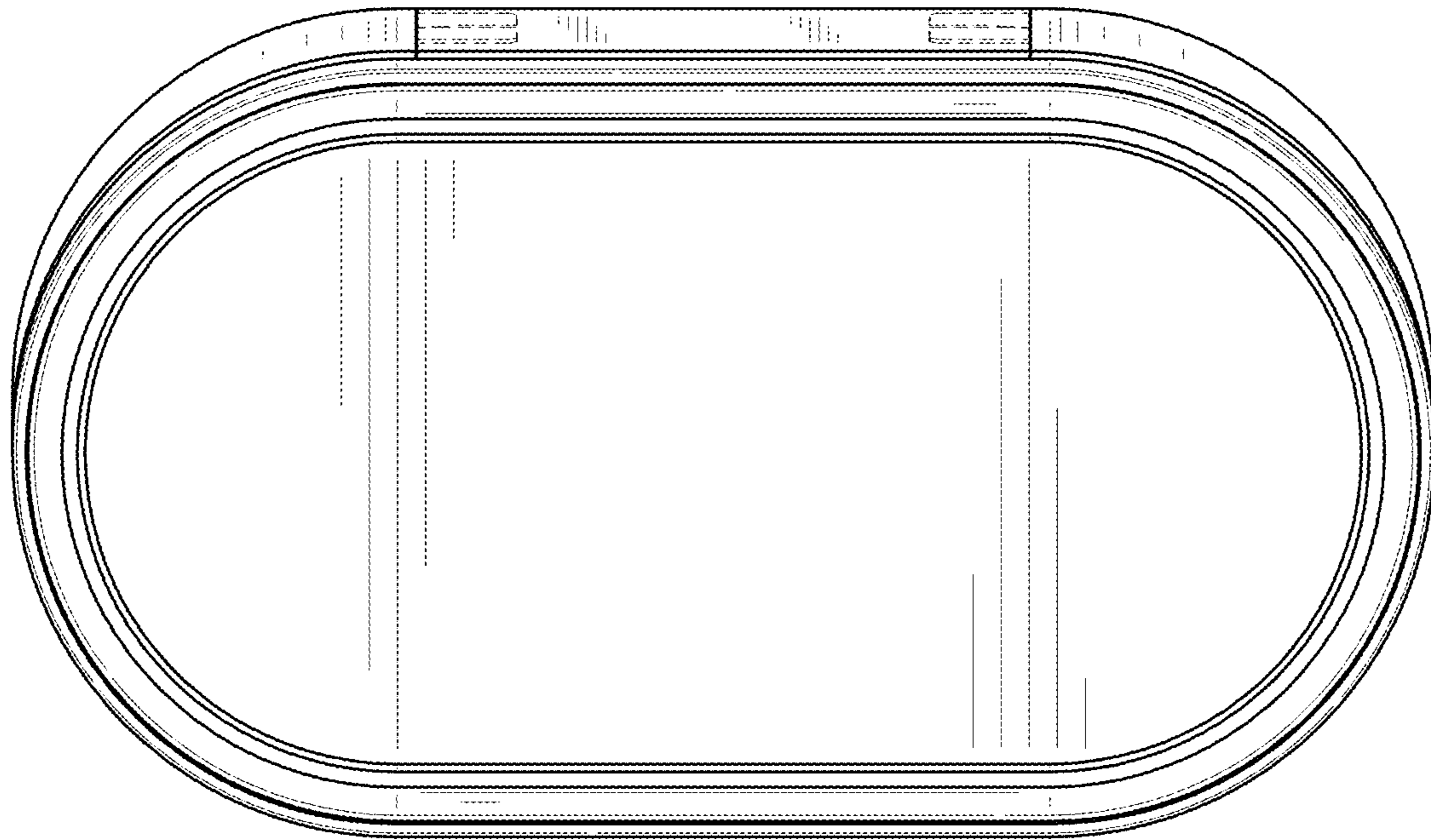


FIG. 7

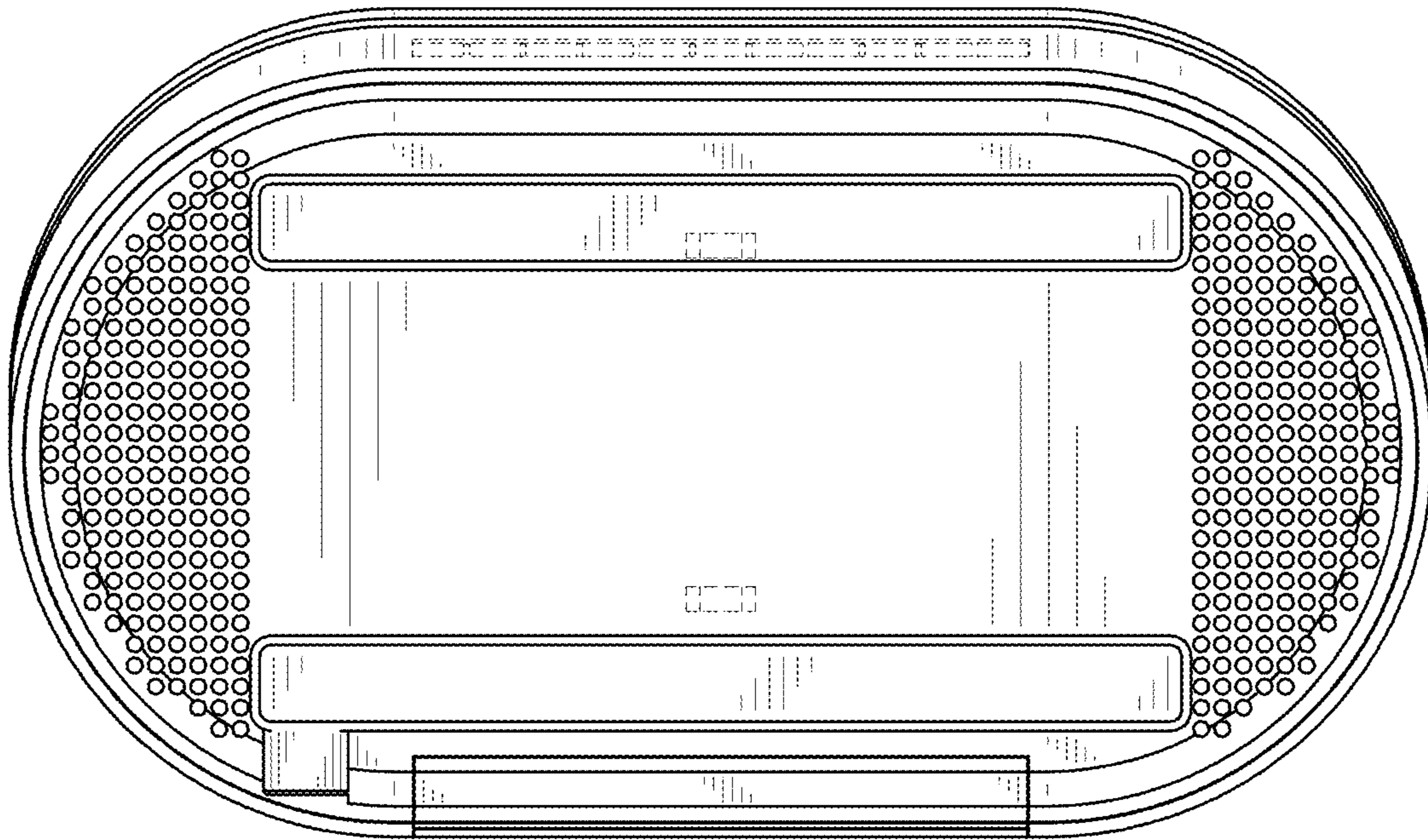


FIG. 8