



US00D935586S

(12) **United States Design Patent** (10) **Patent No.:** **US D935,586 S**  
**Sun** (45) **Date of Patent:** **\*\* Nov. 9, 2021**

(54) **PORTABLE HUMIDIFIER**  
(71) Applicant: **Kewei Sun**, Shenzhen (CN)  
(72) Inventor: **Kewei Sun**, Shenzhen (CN)  
(\*\*) Term: **15 Years**  
(21) Appl. No.: **29/780,466**  
(22) Filed: **Apr. 24, 2021**  
(51) **LOC (13) Cl.** ..... **23-04**  
(52) **U.S. Cl.**  
USPC ..... **D23/356**  
(58) **Field of Classification Search**  
USPC ..... D23/355-366, 352, 369, 332, 333, 335,  
D23/336, 342, 351; 422/120, 122;  
55/356, 473, 504; 96/97; 261/DIG. 17,  
261/DIG. 65, DIG. 88, DIG. 31  
CPC .. A61L 9/16; A61L 9/22; B01D 47/00; B01D  
47/027; B01D 2221/02; B01D 2259/4508;  
B03C 3/155; B03C 3/368; F24F 3/16;  
F24F 13/20; F24F 13/28  
See application file for complete search history.

D907,751 S \* 1/2021 Chan ..... D23/316  
D908,852 S \* 1/2021 Zhao ..... D23/333  
D910,824 S \* 2/2021 Zhao ..... D23/360  
D910,909 S \* 2/2021 Li ..... D27/162  
D916,262 S \* 4/2021 Wang ..... D23/356  
D916,265 S \* 4/2021 Jung ..... D23/364  
D919,064 S \* 5/2021 Wang ..... D23/356  
D919,779 S \* 5/2021 Carra ..... D23/356  
2017/0296967 A1\* 10/2017 Escalettes ..... B01J 20/3236

\* cited by examiner

*Primary Examiner* — David G Muller

(57) **CLAIM**

The ornamental design for a portable humidifier, as shown and described.

**DESCRIPTION**

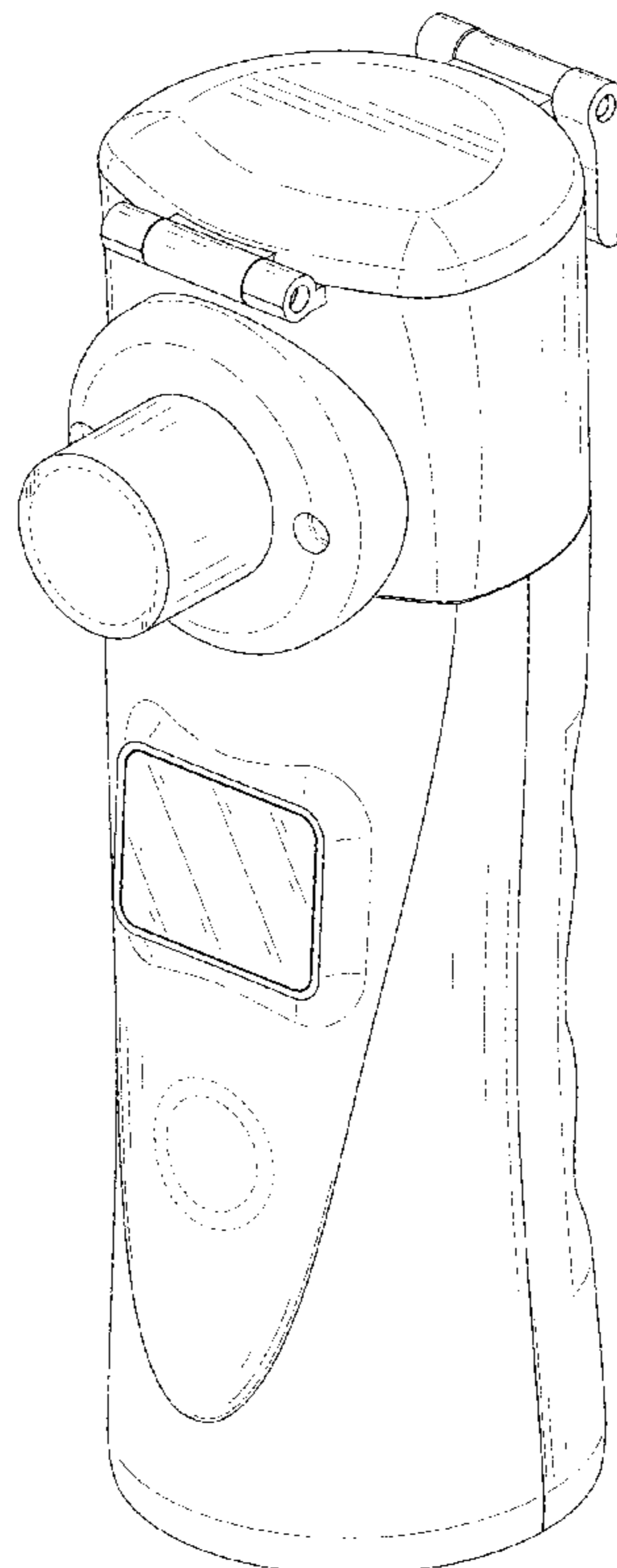
FIG. 1 is a perspective view of a portable humidifier showing my new design;  
FIG. 2 is another perspective view thereof;  
FIG. 3 is a front elevational view thereof;  
FIG. 4 is a rear elevational view thereof;  
FIG. 5 is a left side elevational view thereof;  
FIG. 6 is a right side elevational view thereof;  
FIG. 7 is a top plan view thereof; and,  
FIG. 8 is a bottom plan view thereof.  
The broken lines in the drawings depict portions of the portable humidifier that form no part of the claimed design.

**1 Claim, 8 Drawing Sheets**

(56) **References Cited**

U.S. PATENT DOCUMENTS

D825,045 S \* 8/2018 Yi ..... D23/351  
D831,184 S \* 10/2018 Liang ..... D23/366  
D834,694 S \* 11/2018 Walter ..... D23/366  
D835,763 S 12/2018 Niedermann et al.  
D851,227 S 6/2019 Chen  
D903,076 S \* 11/2020 Copparstad ..... D23/354



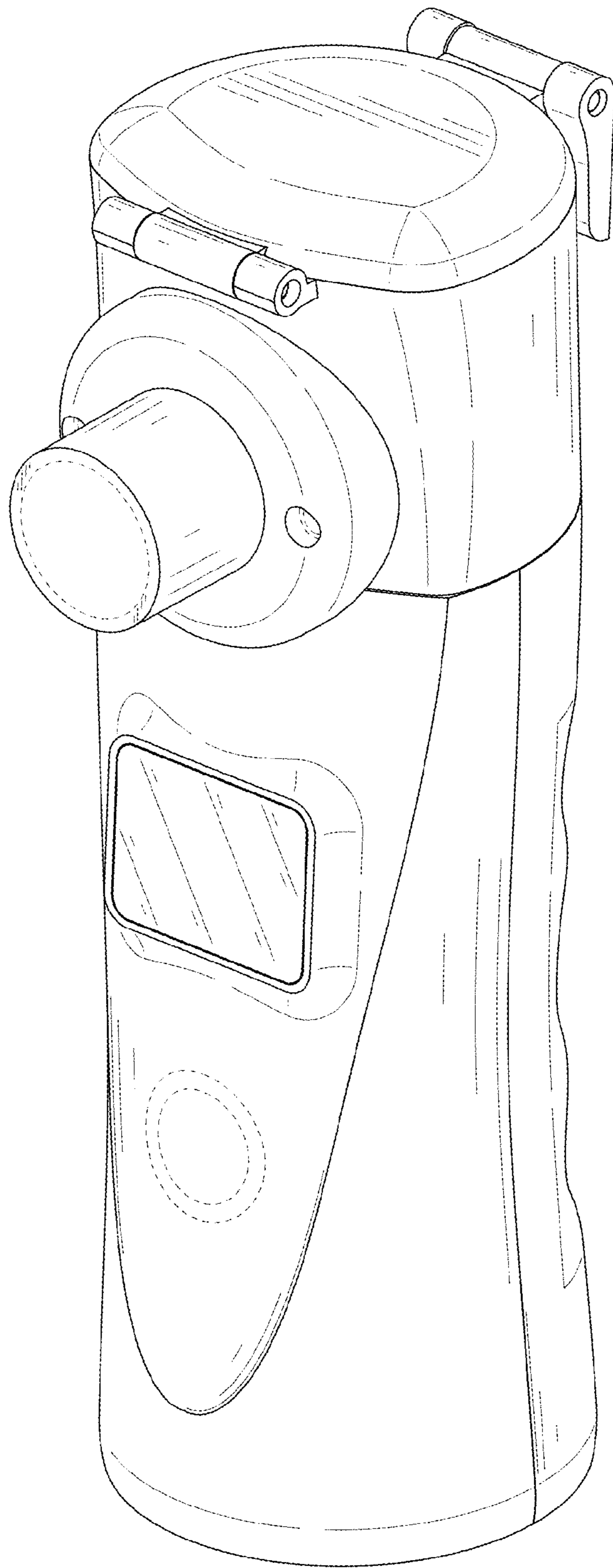


FIG. 1

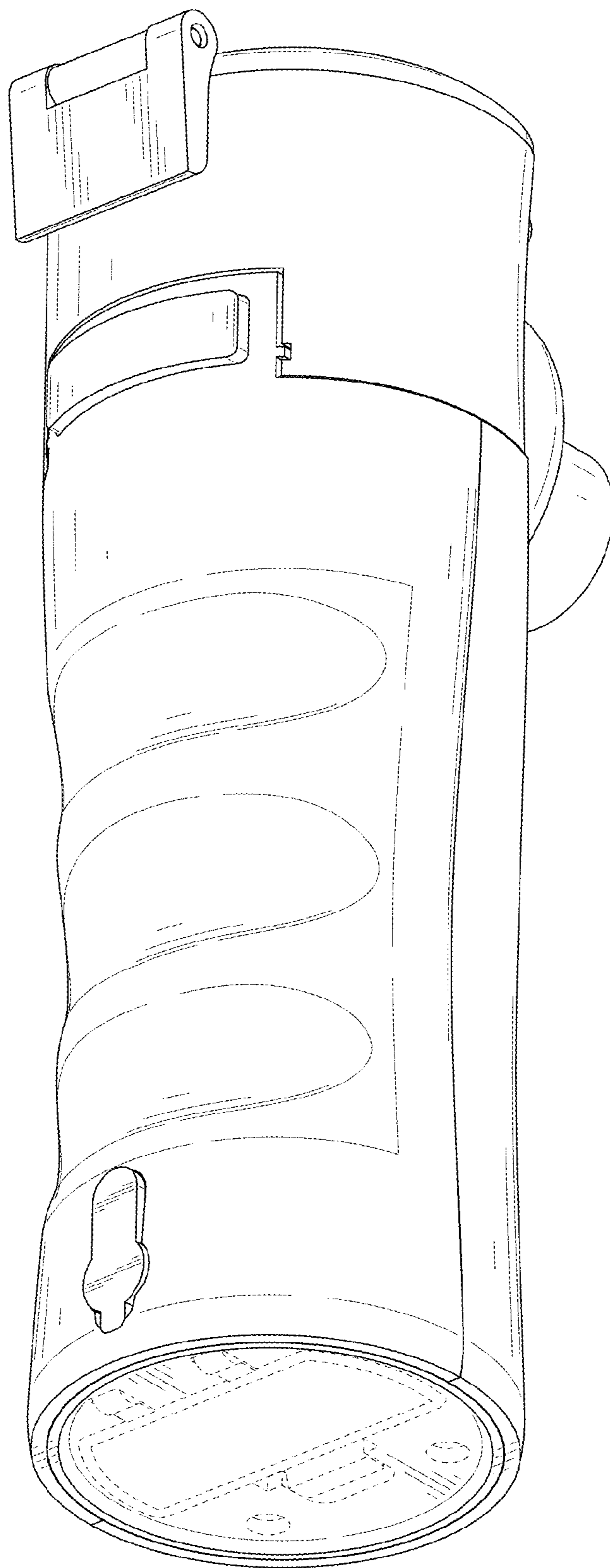


FIG. 2

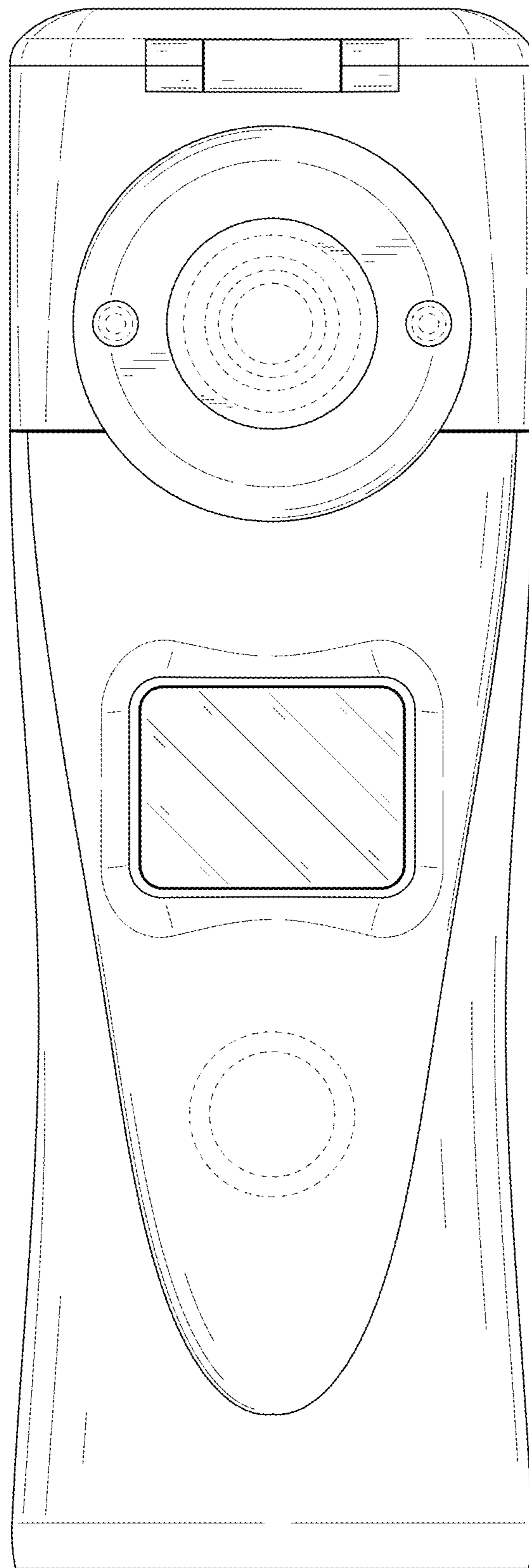


FIG. 3

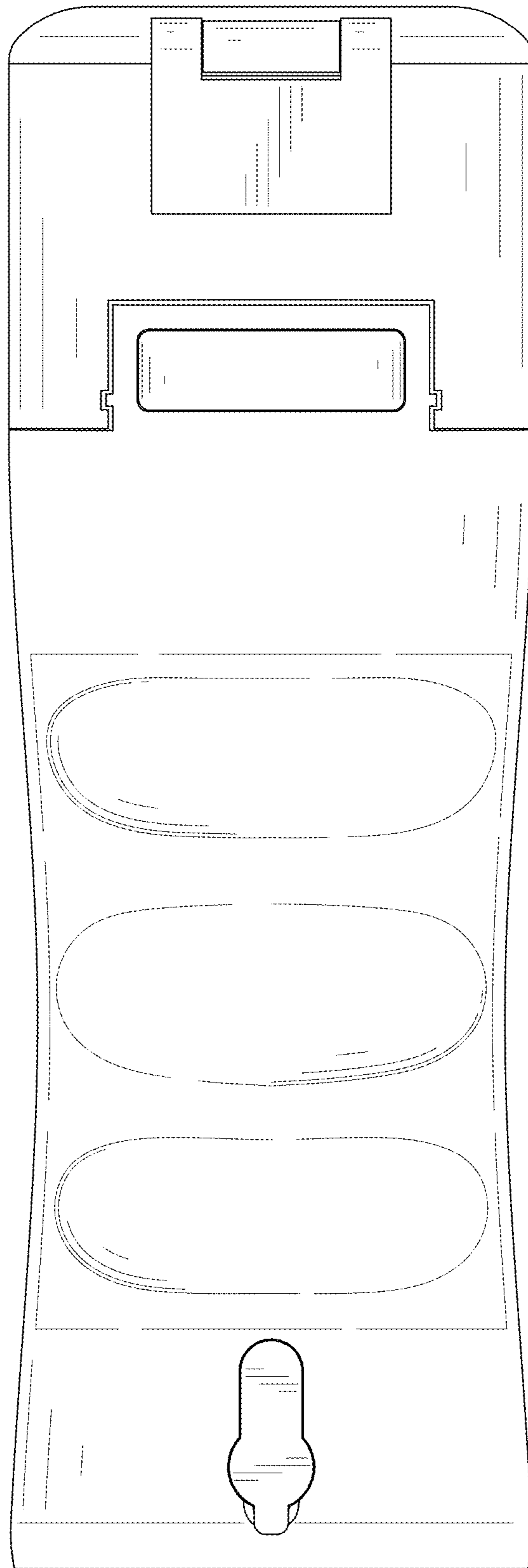


FIG. 4



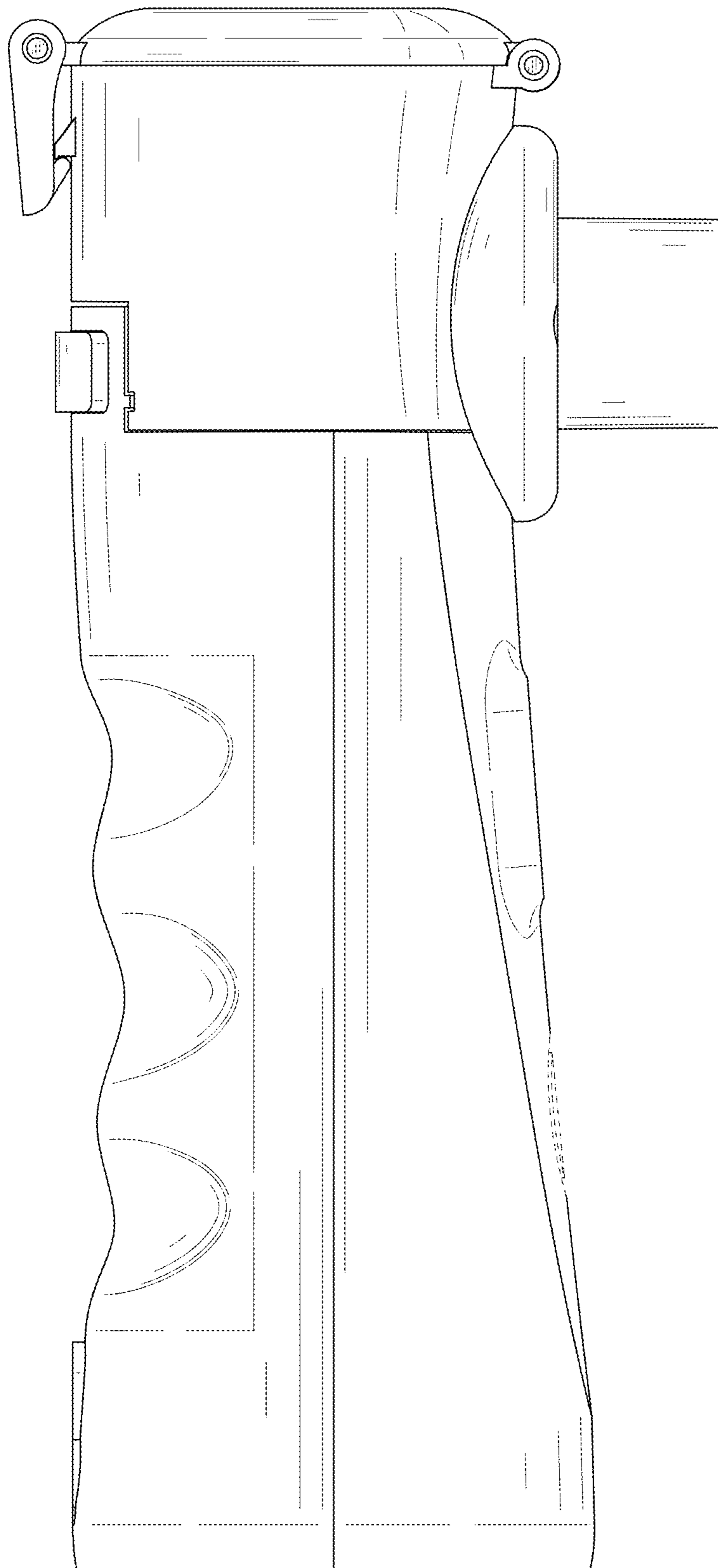


FIG. 5

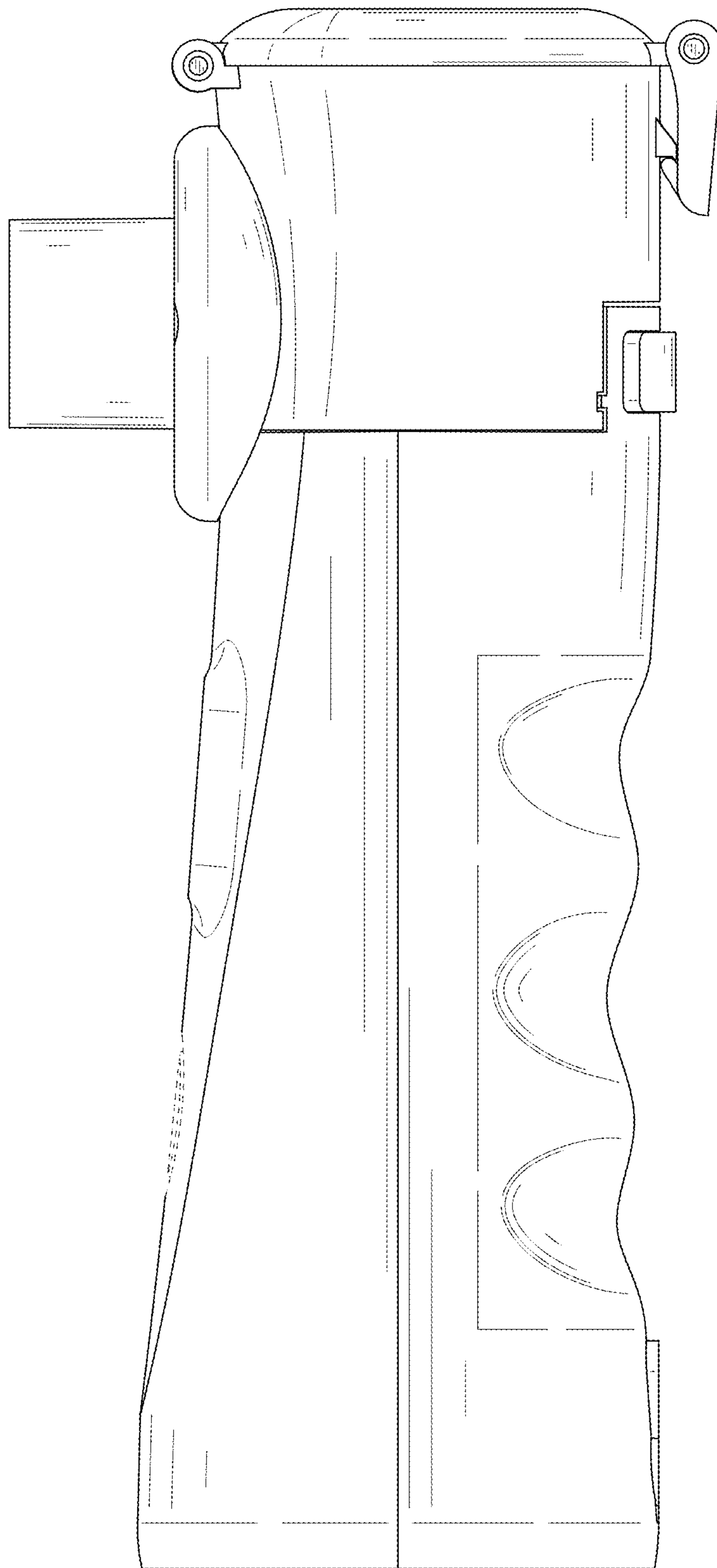


FIG. 6

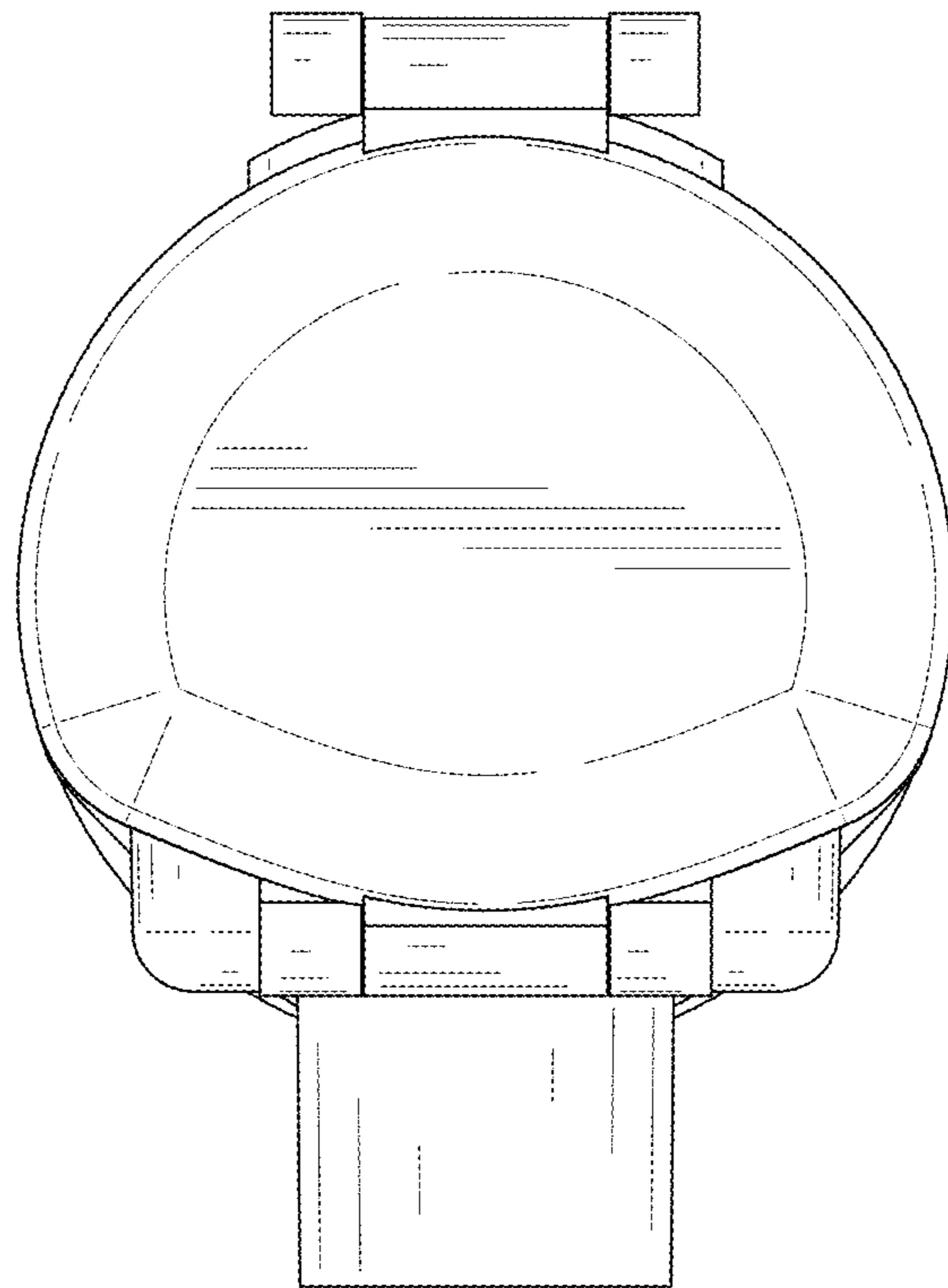


FIG. 7



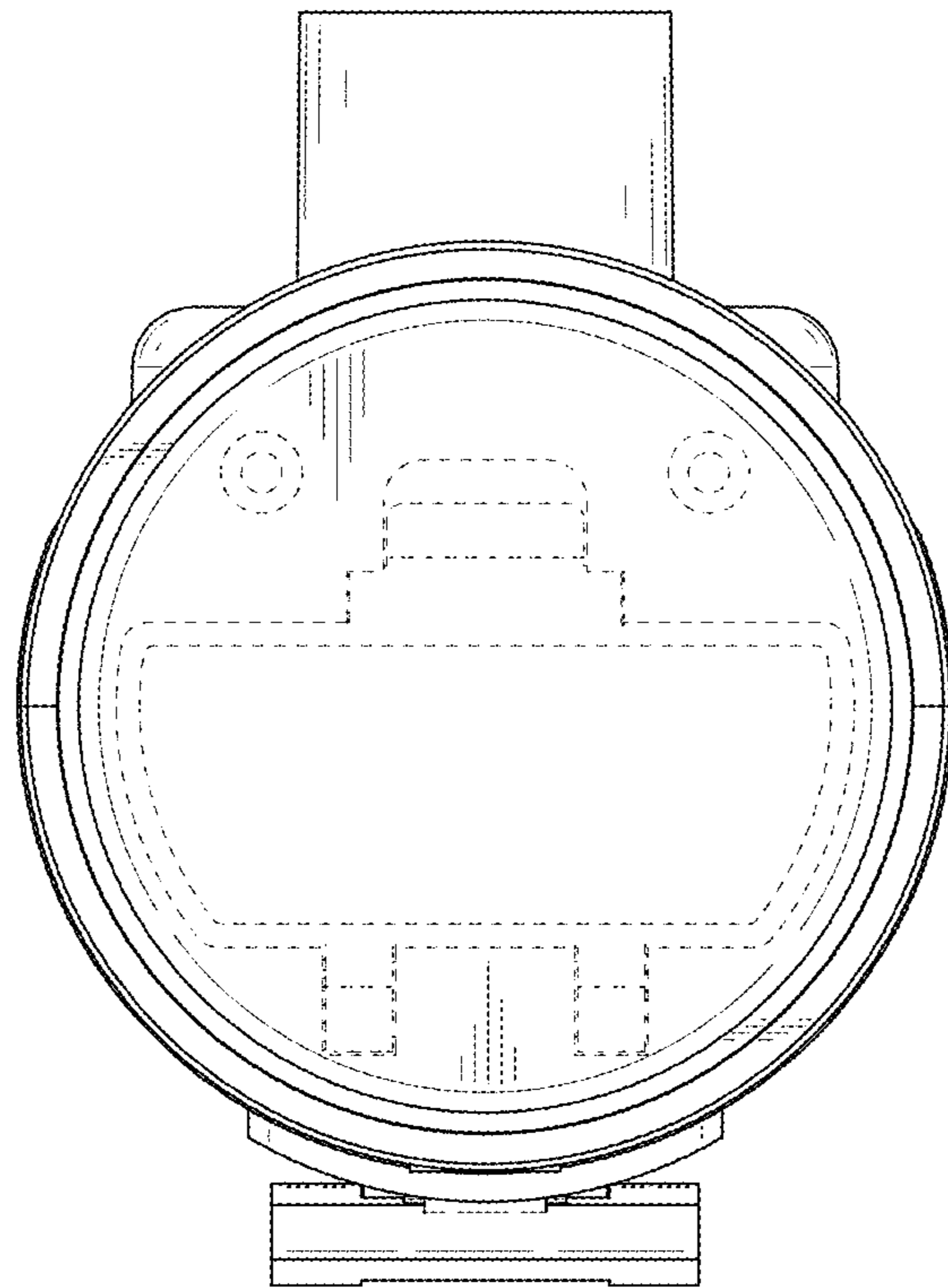


FIG. 8