



US00D935583S

(12) **United States Design Patent** (10) **Patent No.:** **US D935,583 S**
Butt et al. (45) **Date of Patent:** **** Nov. 9, 2021**

(54) **BOILER**

FOREIGN PATENT DOCUMENTS

(71) Applicant: **The Marley Company LLC**, Burr Ridge, IL (US)

CN 303369658 * 12/2014
CN 304015750 * 7/2016

(72) Inventors: **Neil Butt**, Michigan City, IN (US); **Joel Bodine**, Michigan City, IN (US); **Mike Hostetler**, Michigan City, IN (US); **Fred Hoffmaster**, Michigan City, IN (US); **Anis Rahman**, Michigan City, IN (US); **Dave DeVries**, Michigan City, IN (US); **John Miller**, Michigan City, IN (US); **Ross Brinkman**, Oak Park, IL (US); **Clifford Krapfl**, Chicago, IL (US)

OTHER PUBLICATIONS

Computer Case, announced May 16, 2018[online], [site visited Jun. 17, 2020]. Available from internet, URL:<<https://www.amazon.com/Antec-Mid-Tower-Computer-Dampening-Pre-Installed/dp/B07CLY9J6X>> (Year: 2018).*

(Continued)

(73) Assignee: **The Marley Company LLC**, Burr Ridge, IL (US)

Primary Examiner — Barbara Fox

Assistant Examiner — Jamaal Rasheed

(74) *Attorney, Agent, or Firm* — BakerHostetler

(**) Term: **15 Years**

(57) **CLAIM**

The ornamental design for a boiler, as shown and described.

(21) Appl. No.: **29/676,592**

DESCRIPTION

(22) Filed: **Jan. 11, 2019**

The file of this patent contains at least one drawing/photograph executed in color. Copies of this patent with color drawing(s)/photograph(s) will be provided by the Office upon request and payment of the necessary fee.

(51) **LOC (13) Cl.** **23-01**

FIG. 1 is a perspective view of a boiler showing the new design according to a first embodiment;

(52) **U.S. Cl.**
USPC **D23/329**

FIG. 2 is a front view of the boiler of FIG. 1;

(58) **Field of Classification Search**
USPC D23/329, 238, 335, 340; D14/351, 352, D14/445, 441, 349, 446, 364, 444;
(Continued)

FIG. 3 is a left side view of the boiler of FIG. 1;

FIG. 4 is a right side view of the boiler of FIG. 1;

FIG. 5 is a back view of the boiler of FIG. 1;

FIG. 6 is a top view of the boiler of FIG. 1; and,

FIG. 7 is a bottom view of the boiler of FIG. 1.

(56) **References Cited**

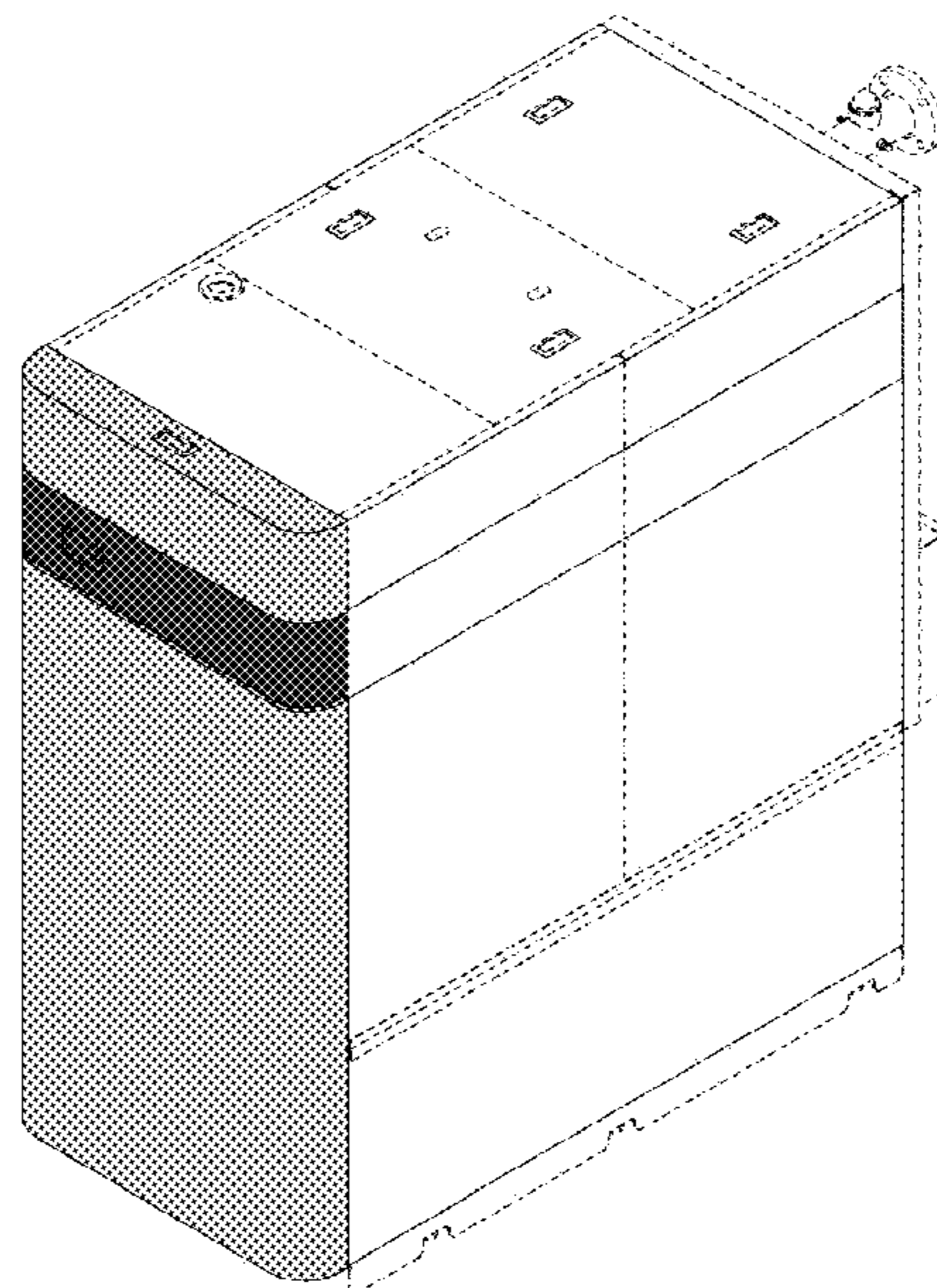
U.S. PATENT DOCUMENTS

2,214,676 A * 9/1940 Lattner F22B 13/005
122/161
2,569,294 A * 9/1951 Denker F22B 25/00
122/268

The evenly spaced broken lines shown in the drawings depict portions of the boiler that form no part of the claimed design. The dash-dot broken lines indicate the bounds of the claim and form no part of the claimed design.

(Continued)

1 Claim, 7 Drawing Sheets
(5 of 7 Drawing Sheet(s) Filed in Color)



(58) **Field of Classification Search**
 USPC D1/127; 122/155.1, 268, 161; 361/690,
 361/797
 CPC F22B 25/00; F22B 13/00; H05K 7/20;
 H05K 7/14; G06F 1/16; B23B 27/14
 See application file for complete search history.

(56) **References Cited**

U.S. PATENT DOCUMENTS

2,826,182 A * 3/1958 Mandelburg F24H 1/52
 122/155.1
 4,387,949 A * 6/1983 Haitmanek H02G 3/16
 174/485
 D315,149 S * 3/1991 Welch D14/446
 D358,384 S * 5/1995 Goodner D14/445
 D370,467 S * 6/1996 Barthelemy D14/349
 5,712,030 A * 1/1998 Goto B23B 27/145
 407/119
 D401,569 S * 11/1998 Massaro D14/352
 D405,063 S * 2/1999 Lee D14/351
 D473,235 S * 4/2003 Loftus D14/444
 D514,110 S * 1/2006 Liu D14/441
 D521,007 S * 5/2006 Huang D14/444

D530,332 S * 10/2006 Wang D14/444
 D568,886 S * 5/2008 Wang D14/446
 D572,258 S * 7/2008 Chen D14/444
 D572,259 S * 7/2008 Chen D14/444
 D579,013 S * 10/2008 Kobeli D14/300
 D600,700 S * 9/2009 Kuehn D14/441
 D619,689 S * 7/2010 Bartlett D23/329
 D685,978 S * 7/2013 Jani D1/127
 D694,486 S * 12/2013 Jani D1/127
 D730,894 S * 6/2015 Hokari D14/364
 2005/0135075 A1 * 6/2005 Deng G06F 1/181
 361/797
 2009/0116186 A1 * 5/2009 Wei F28D 1/0477
 361/690
 2013/0333401 A1 * 12/2013 Long H05K 7/20745
 62/62

OTHER PUBLICATIONS

Front Bezel Assy, announced Feb. 28, 2015[online], [site visited Jun. 17, 2020]. Available from internet, URL:<<https://www.amazon.ca/Corsair-CC-8930091-CARBIDE-FRONT-BEZEL/dp/B00LV0B6YC>> (Year: 2015).*

* cited by examiner

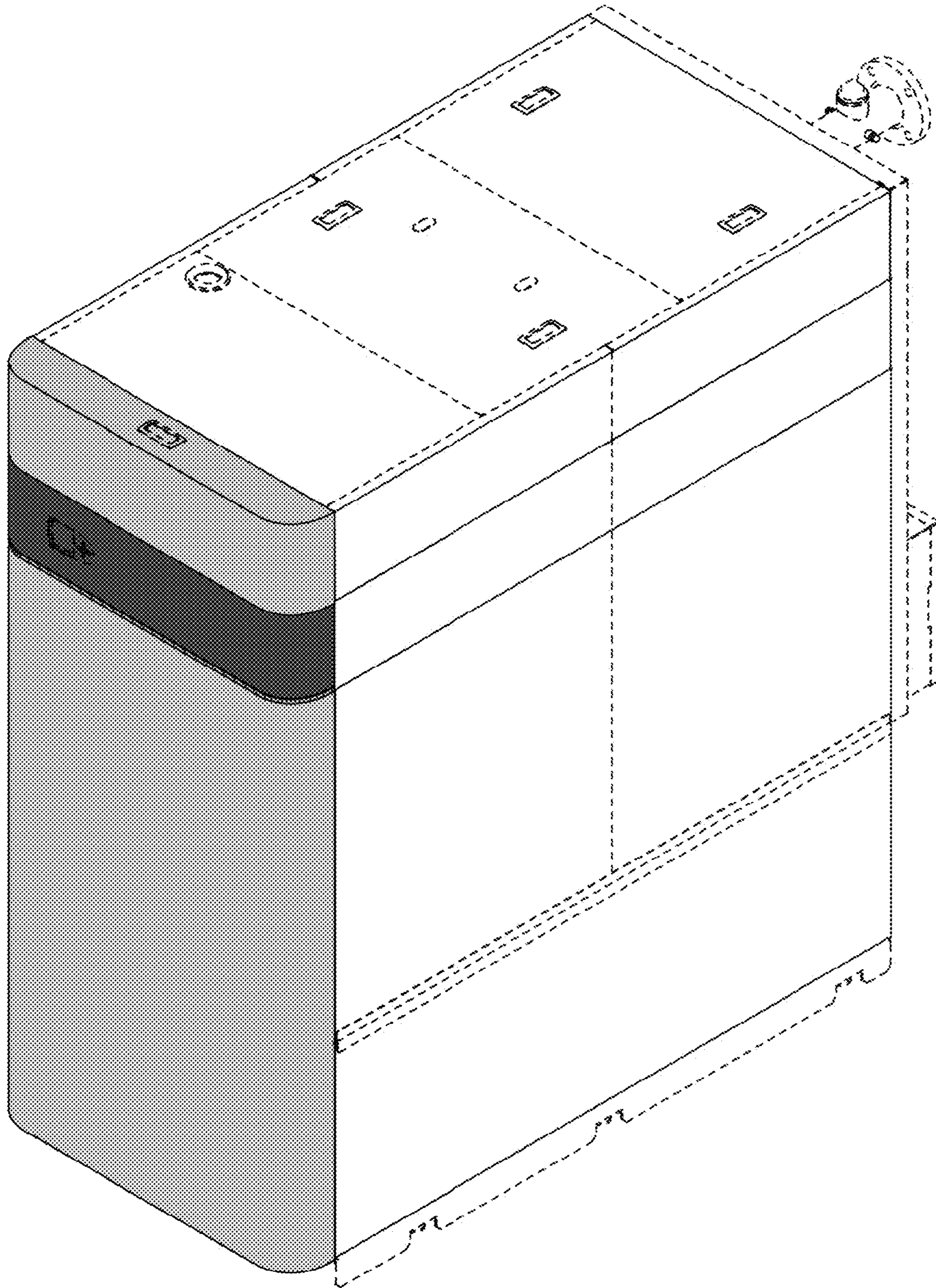


FIG. 1

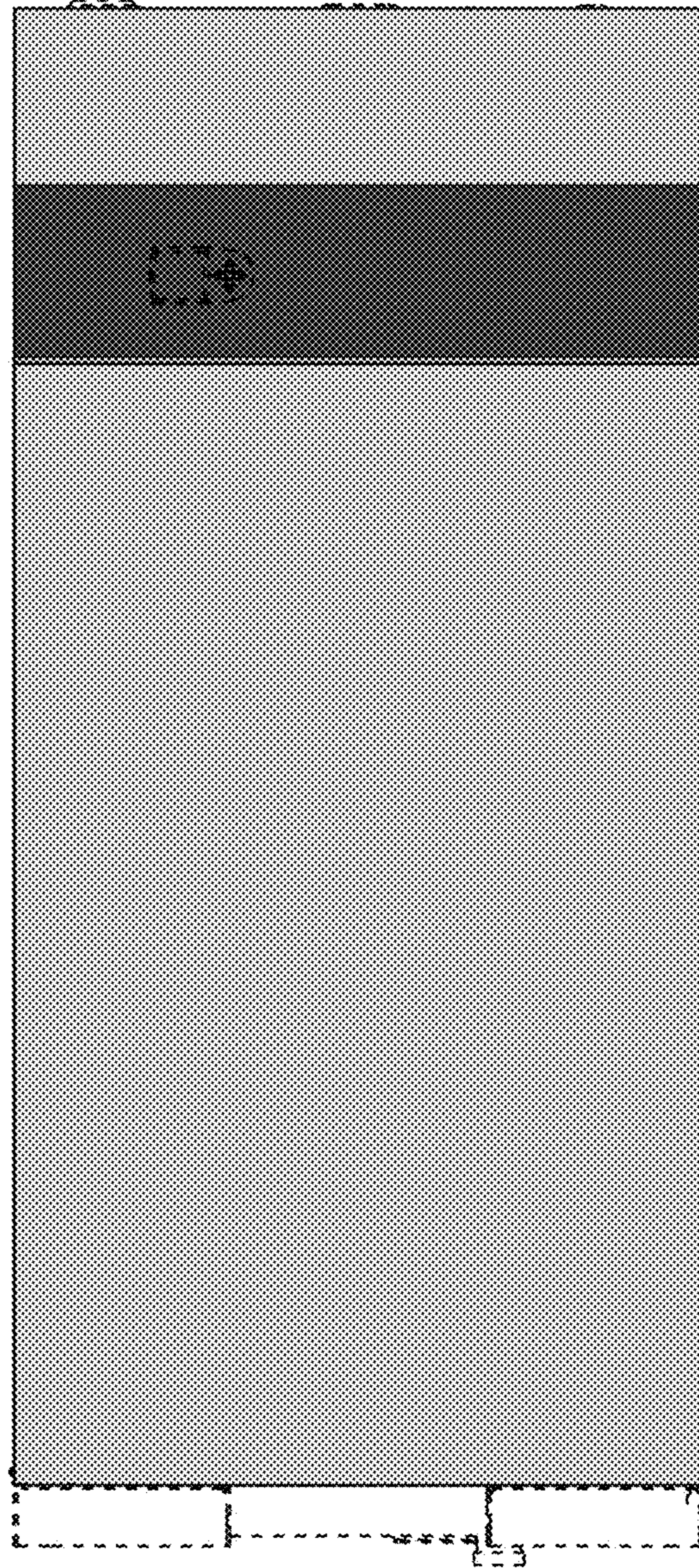


FIG. 2

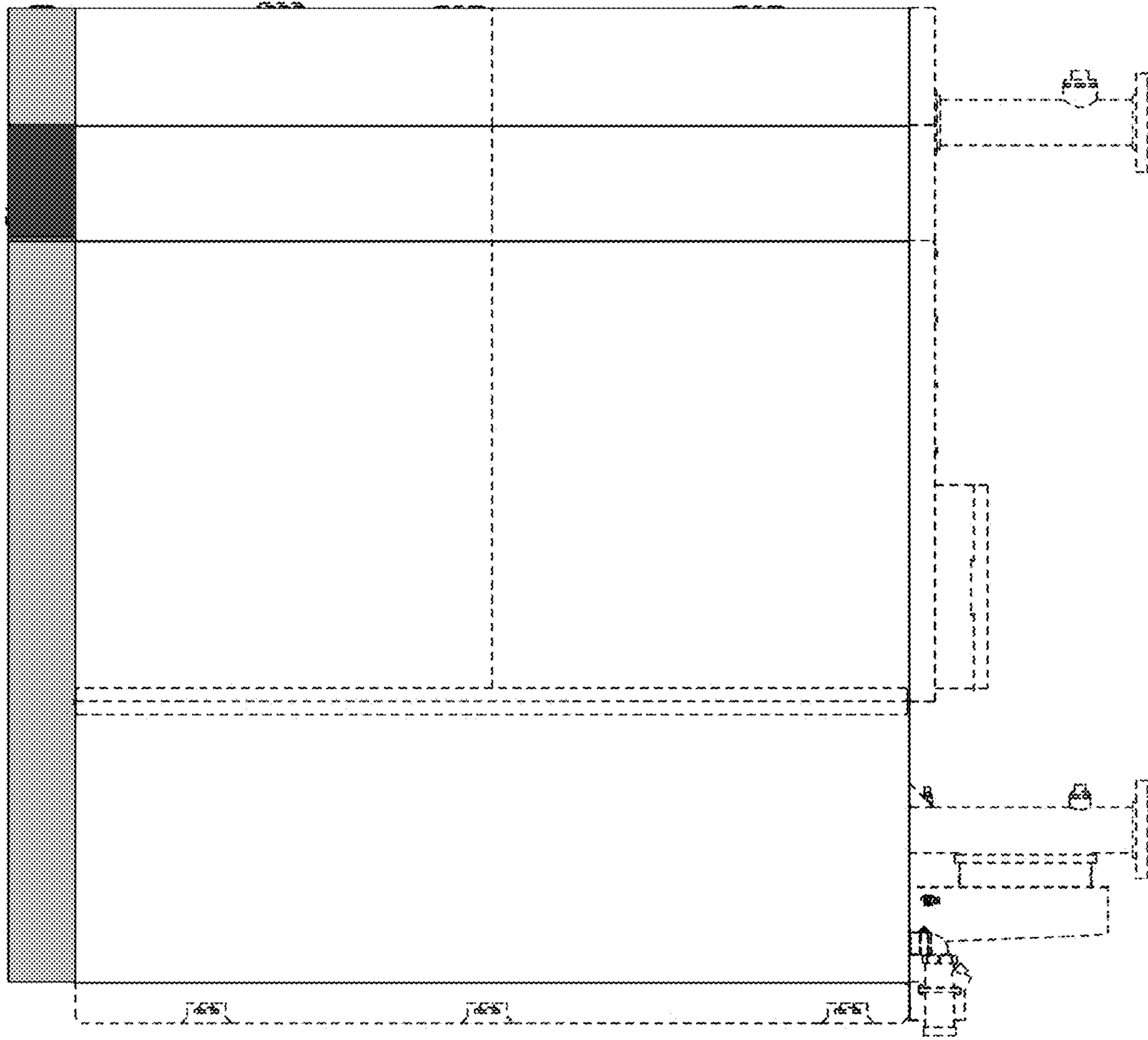


FIG. 3

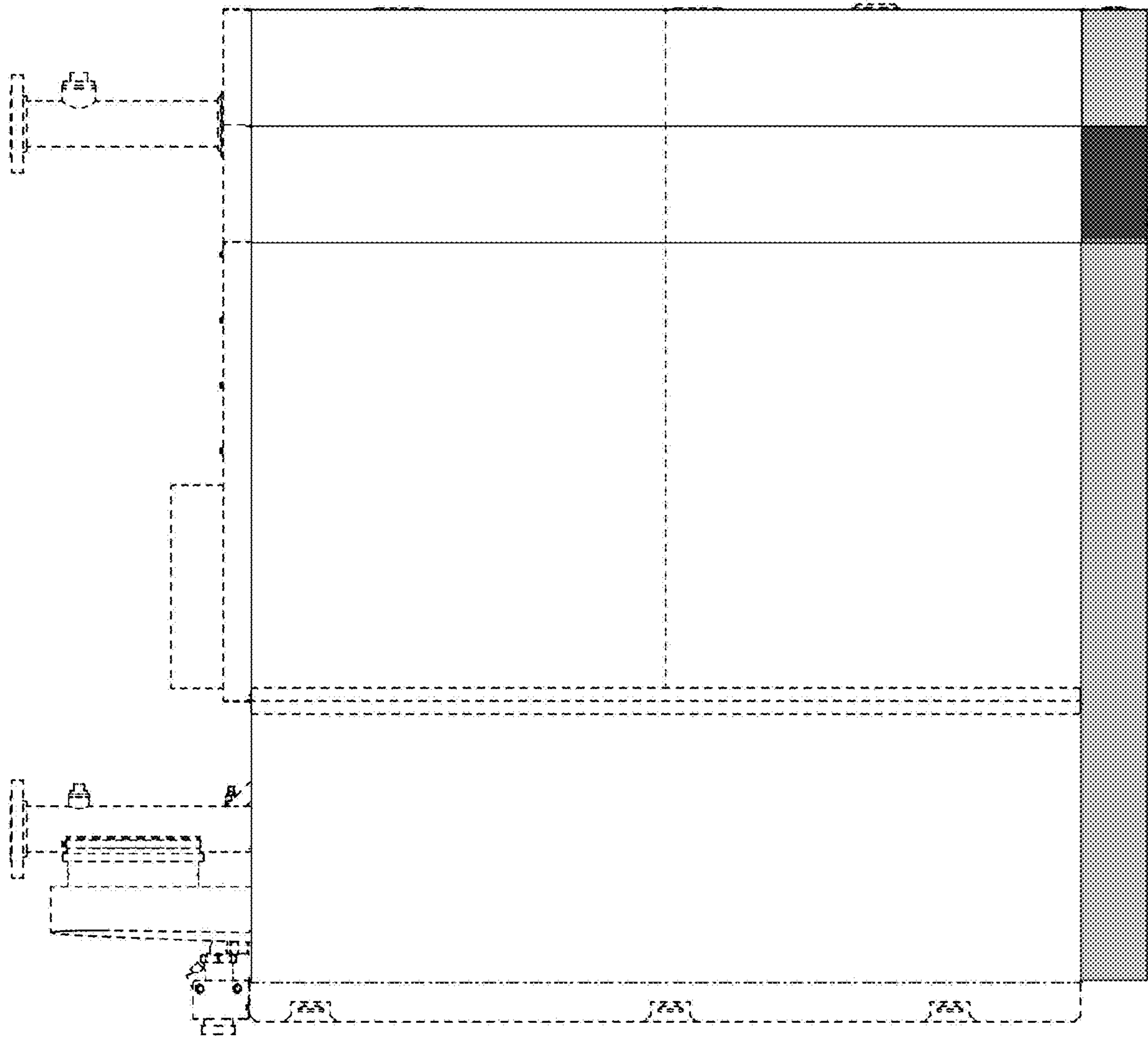


FIG. 4

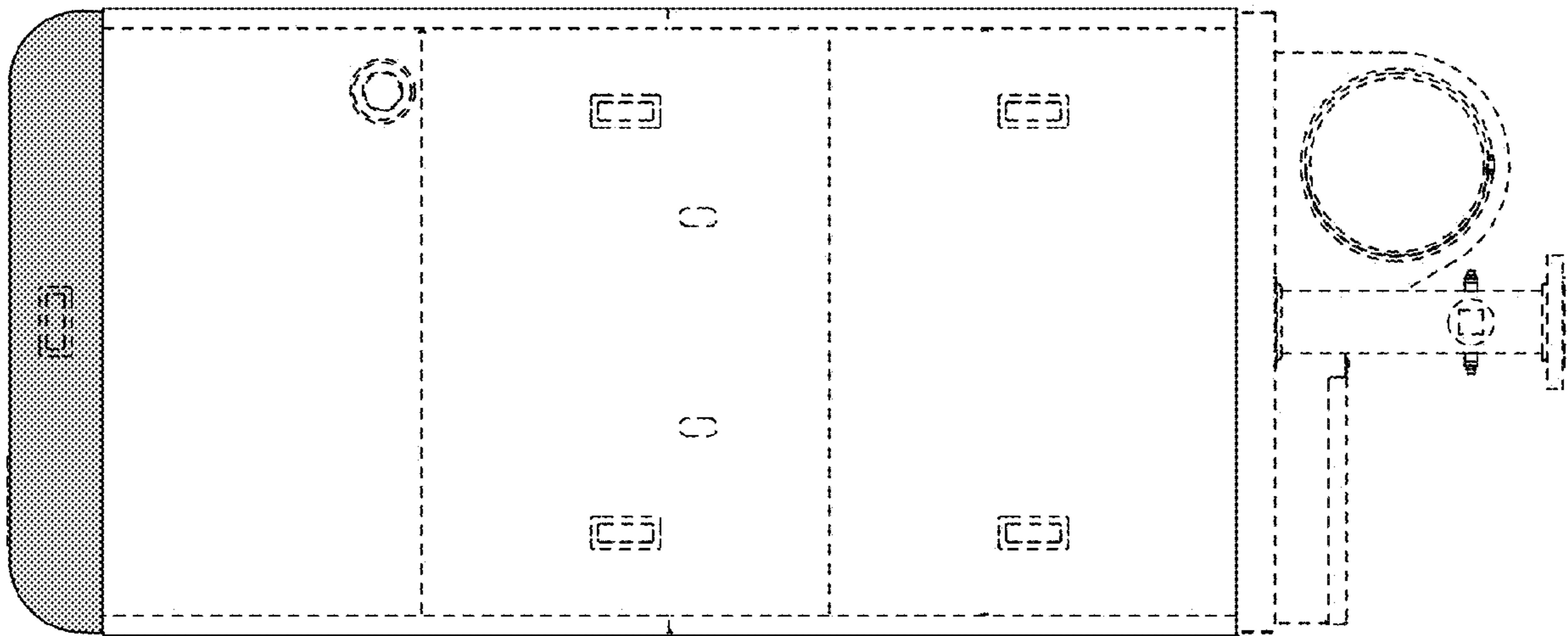


FIG. 5

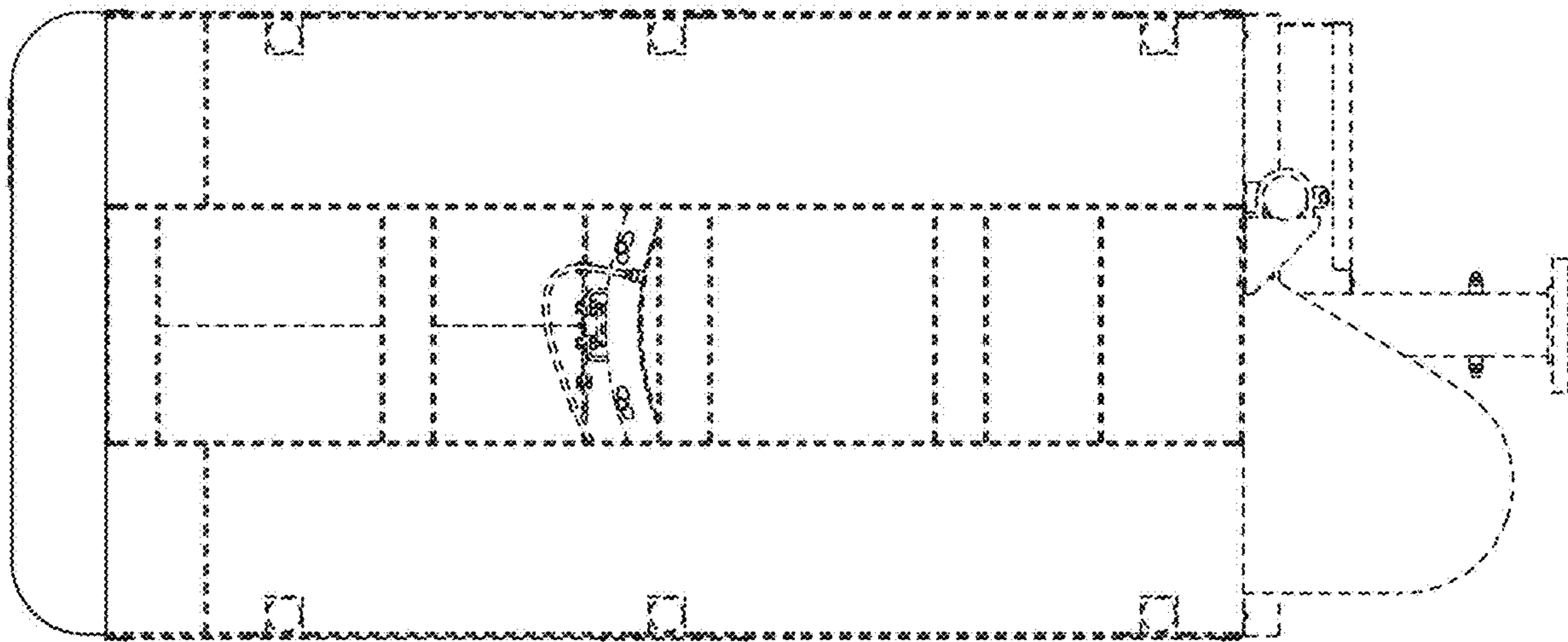


FIG. 6

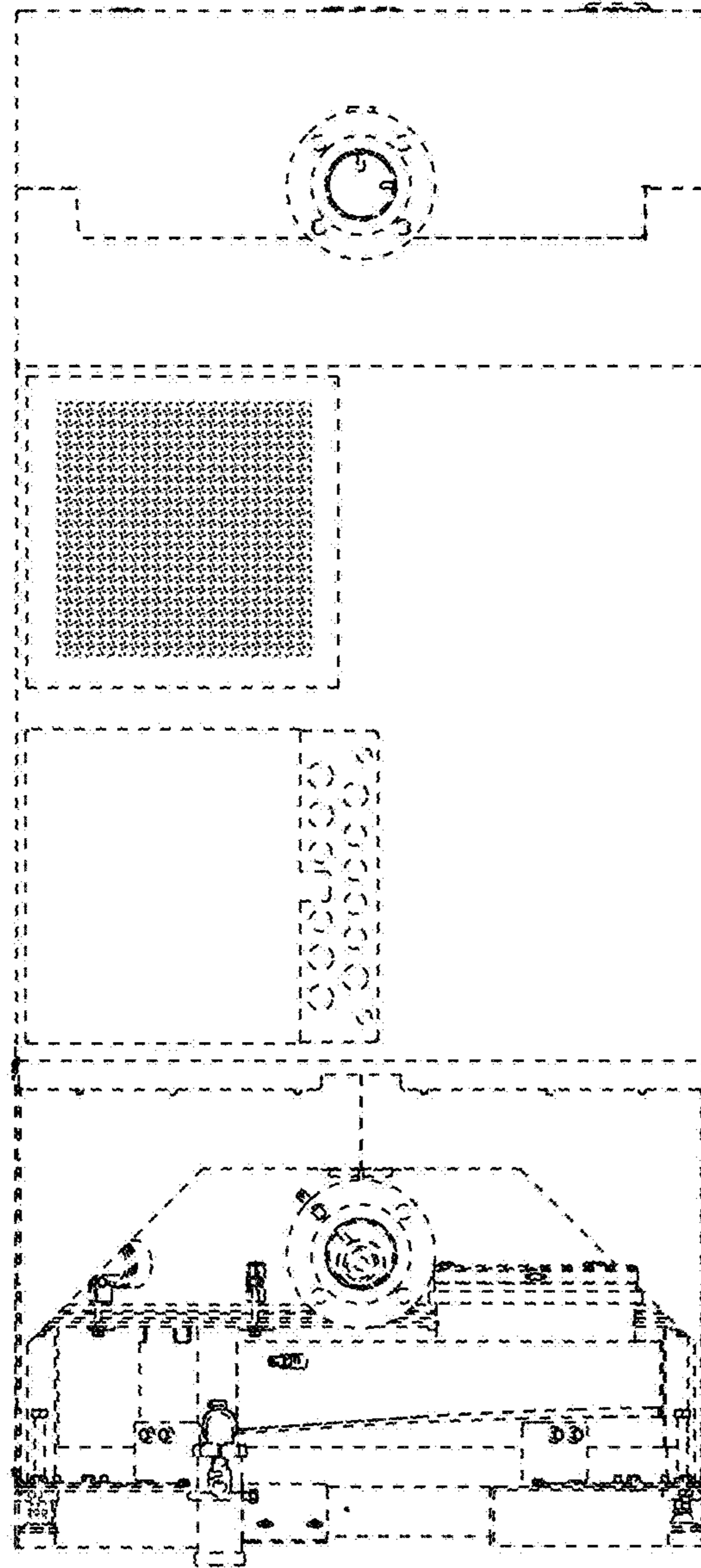


FIG. 7