



US00D935582S

(12) **United States Design Patent** (10) **Patent No.:** **US D935,582 S**
Ayala (45) **Date of Patent:** **** Nov. 9, 2021**

(54) **TOILET**

(74) *Attorney, Agent, or Firm* — Lempia Summerfield Katz LLC

(71) Applicant: **Kohler Co.**, Kohler, WI (US)

(72) Inventor: **Diego Alejandro Cuervo Ayala**, Sheboygan, WI (US)

(57) **CLAIM**

I claim the ornamental design for a toilet, as shown and described.

(73) Assignee: **Kohler Co.**, Kohler, WI (US)

(**) Term: **15 Years**

DESCRIPTION

(21) Appl. No.: **29/721,146**

(22) Filed: **Jan. 17, 2020**

(51) **LOC (13) Cl.** **23-02**

(52) **U.S. Cl.**
USPC **D23/309**

(58) **Field of Classification Search**
USPC D23/295, 301, 309, 313
See application file for complete search history.

FIG. 1 is a perspective view of an embodiment of the claimed design;
FIG. 2 is a front view of the claimed design shown in FIG. 1;
FIG. 3 is a rear view of the claimed design shown in FIG. 1;
FIG. 4 is a side view of the claimed design shown in FIG. 1;
FIG. 5 is another side view of the claimed design shown in FIG. 1;
FIG. 6 is a top view of the claimed design shown in FIG. 1; and,
FIG. 7 is a bottom view of the claimed design shown in FIG. 1.

(56) **References Cited**

U.S. PATENT DOCUMENTS

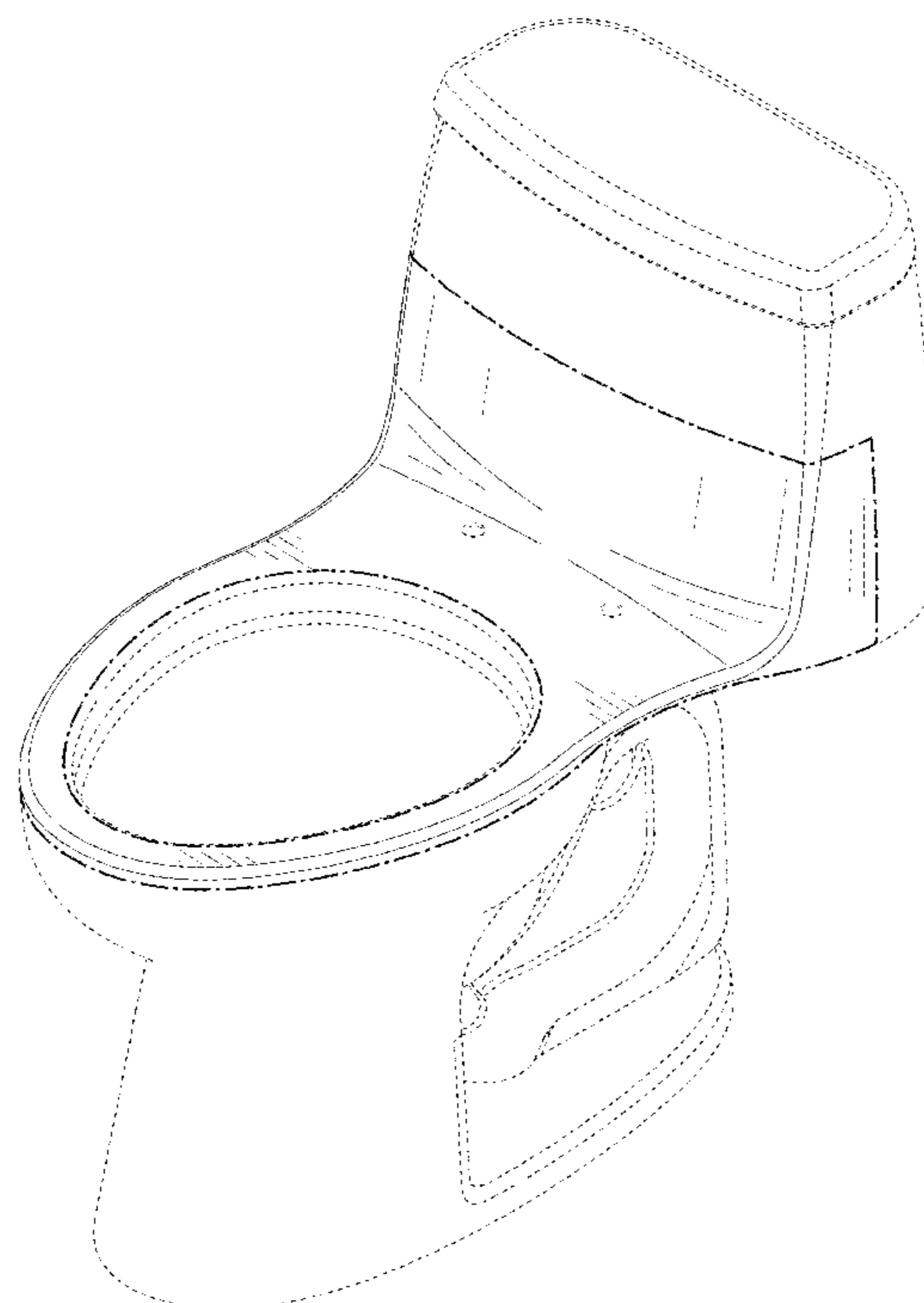
D346,854 S	5/1994	Reid	
D437,634 S	2/2001	Hundley	
D439,638 S	3/2001	Hundley	
D514,208 S	1/2006	Gordon	
D532,875 S	11/2006	Kaule	
D601,233 S	9/2009	Kergoet	
D801,493 S *	10/2017	Bates	D23/309
D831,799 S *	10/2018	Obara	D23/301
D884,847 S *	5/2020	Otsuka	D23/301
D884,849 S *	5/2020	Garrels	D23/309

* cited by examiner

The ornamental design that is claimed is shown in the drawings as solid lines and surfaces having surface shading. The broken lines in the drawings are for illustrative purposes only and form no part of the claimed design. For example, broken lines formed by equal length dashes show unclaimed portions of the design. Broken lines formed of unequal length dashes (i.e., dash-dot) show boundaries between either claimed and unclaimed portions of the design or between unclaimed and unclaimed portions of the design.

Primary Examiner — Robert A Delehanty

1 Claim, 7 Drawing Sheets



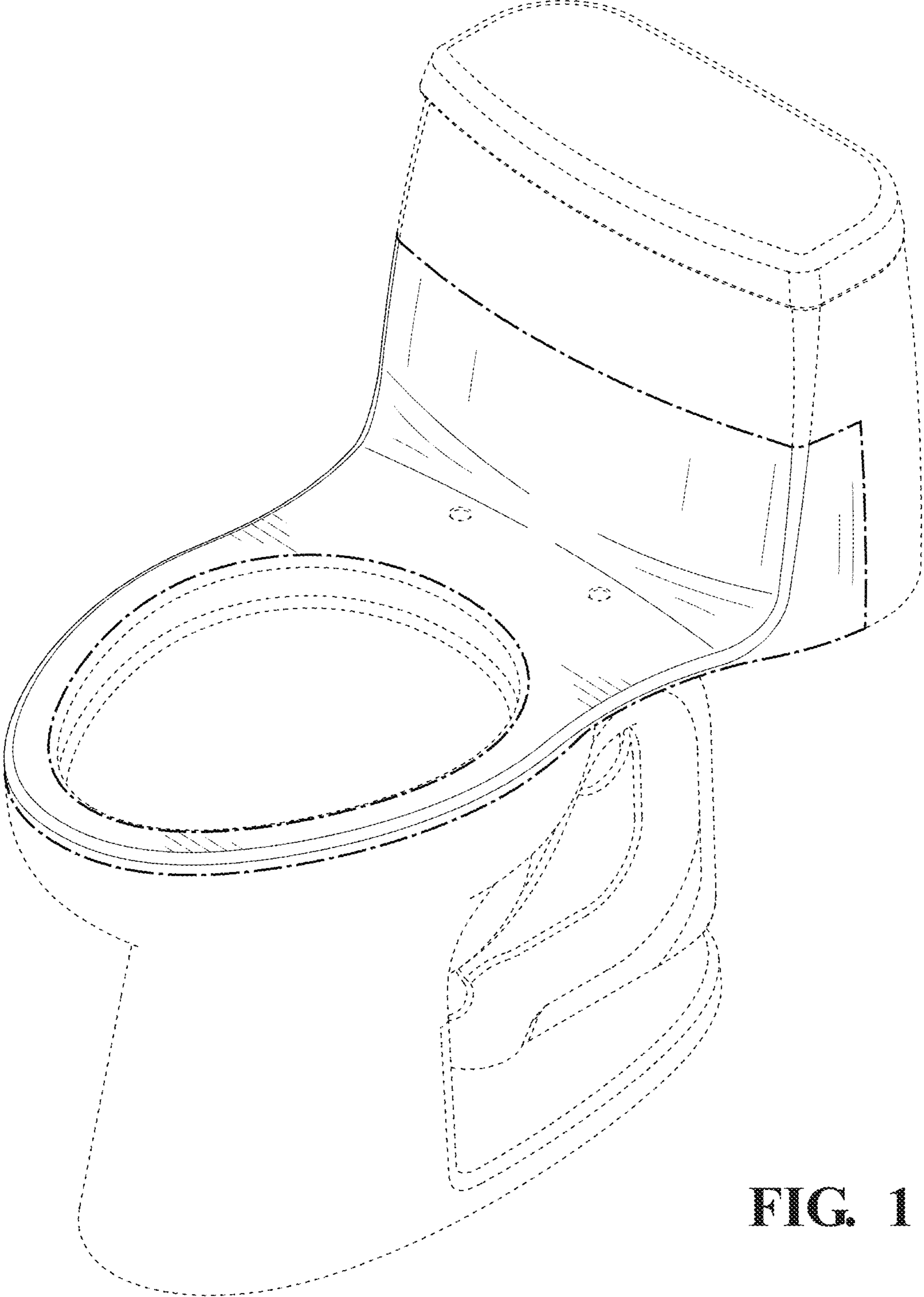


FIG. 1

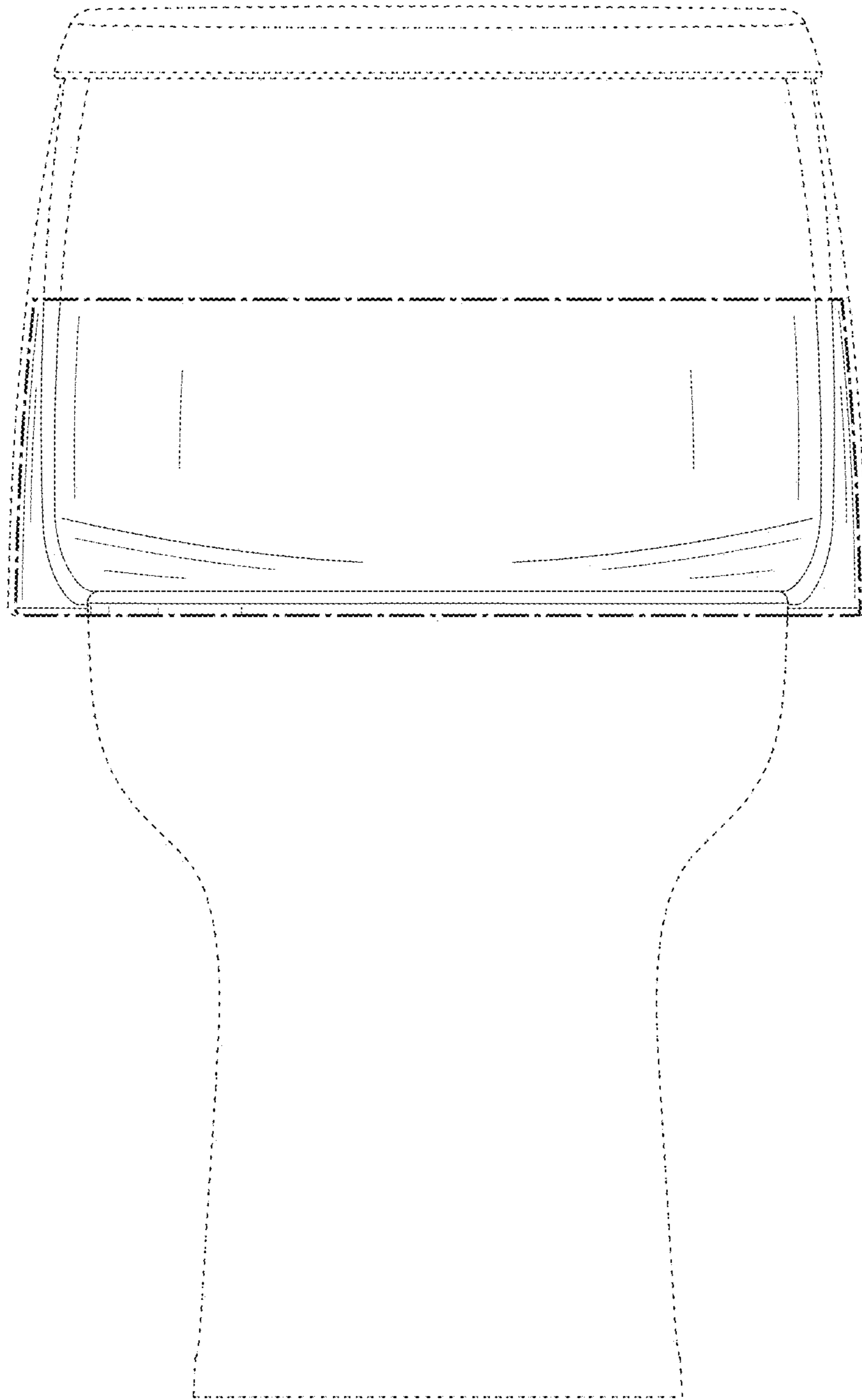


FIG. 2

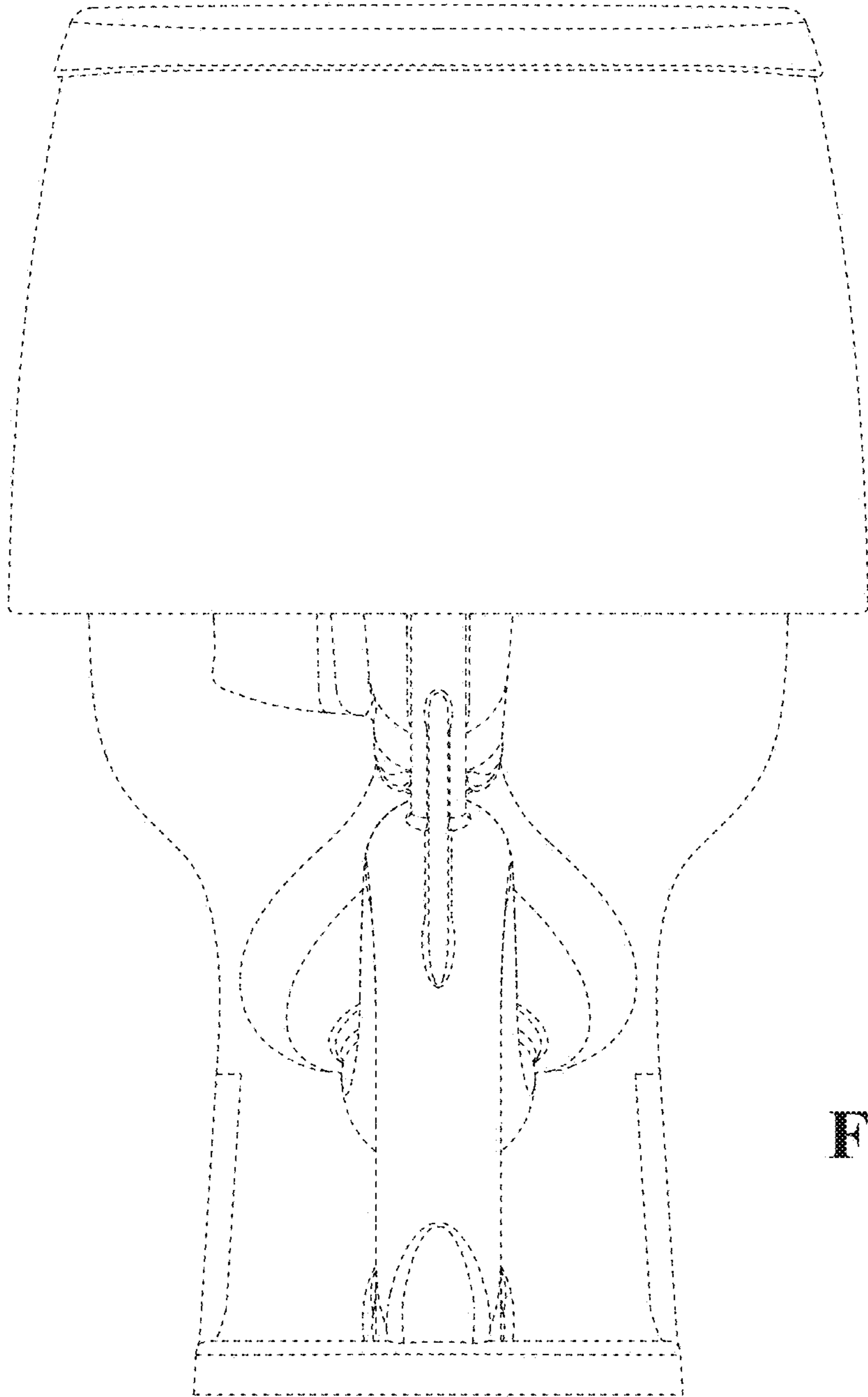
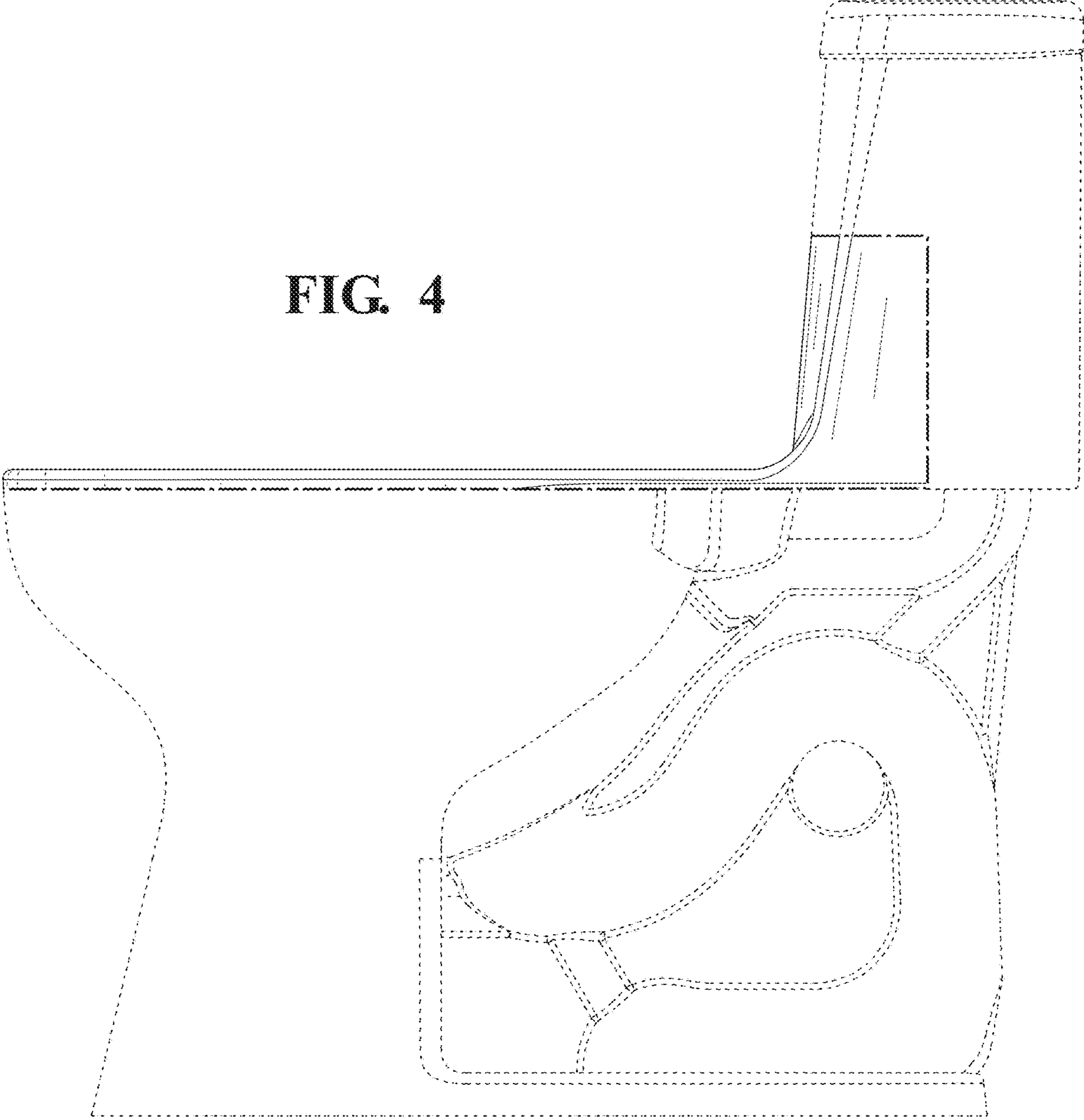


FIG. 3

FIG. 4



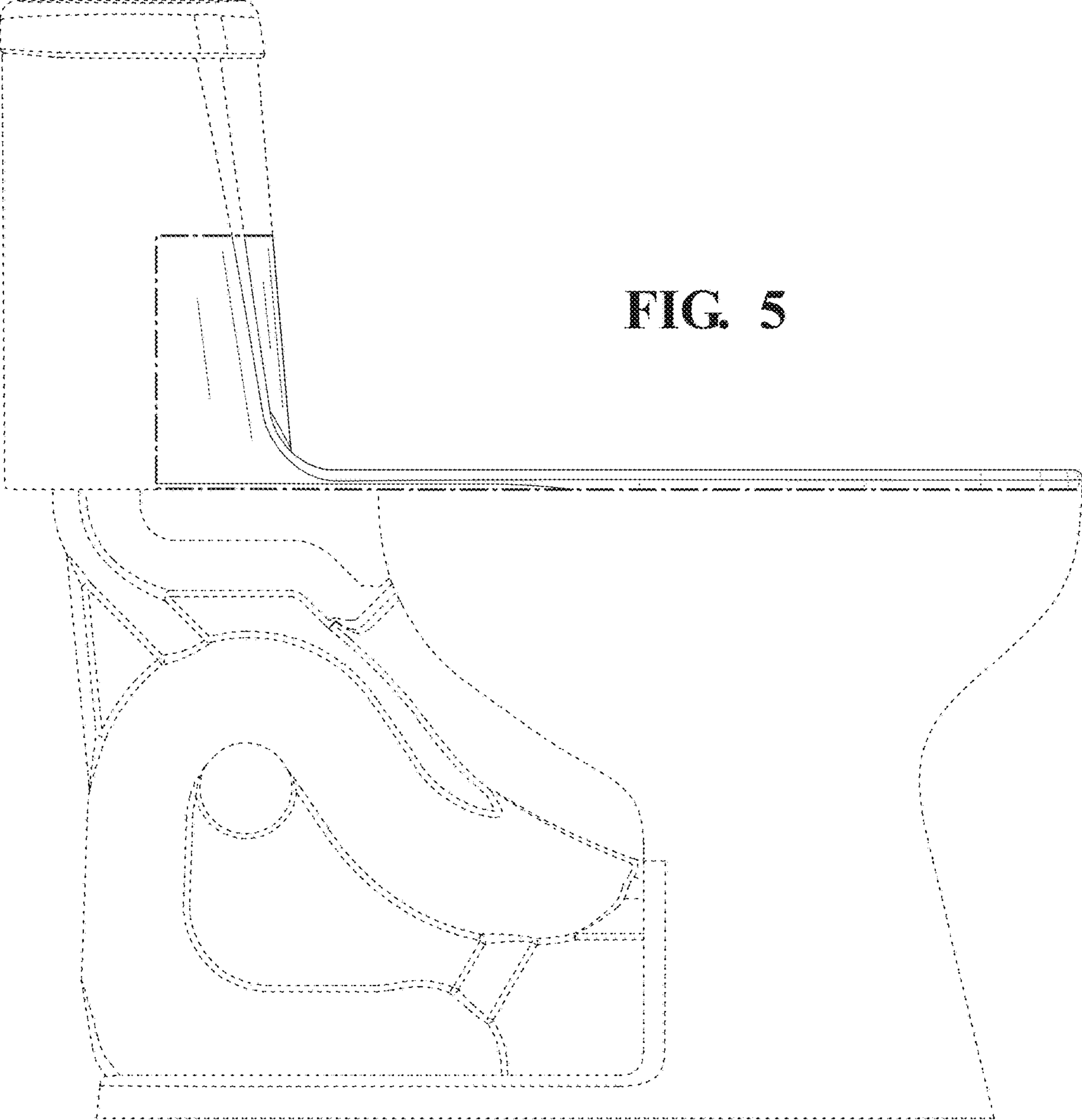


FIG. 5

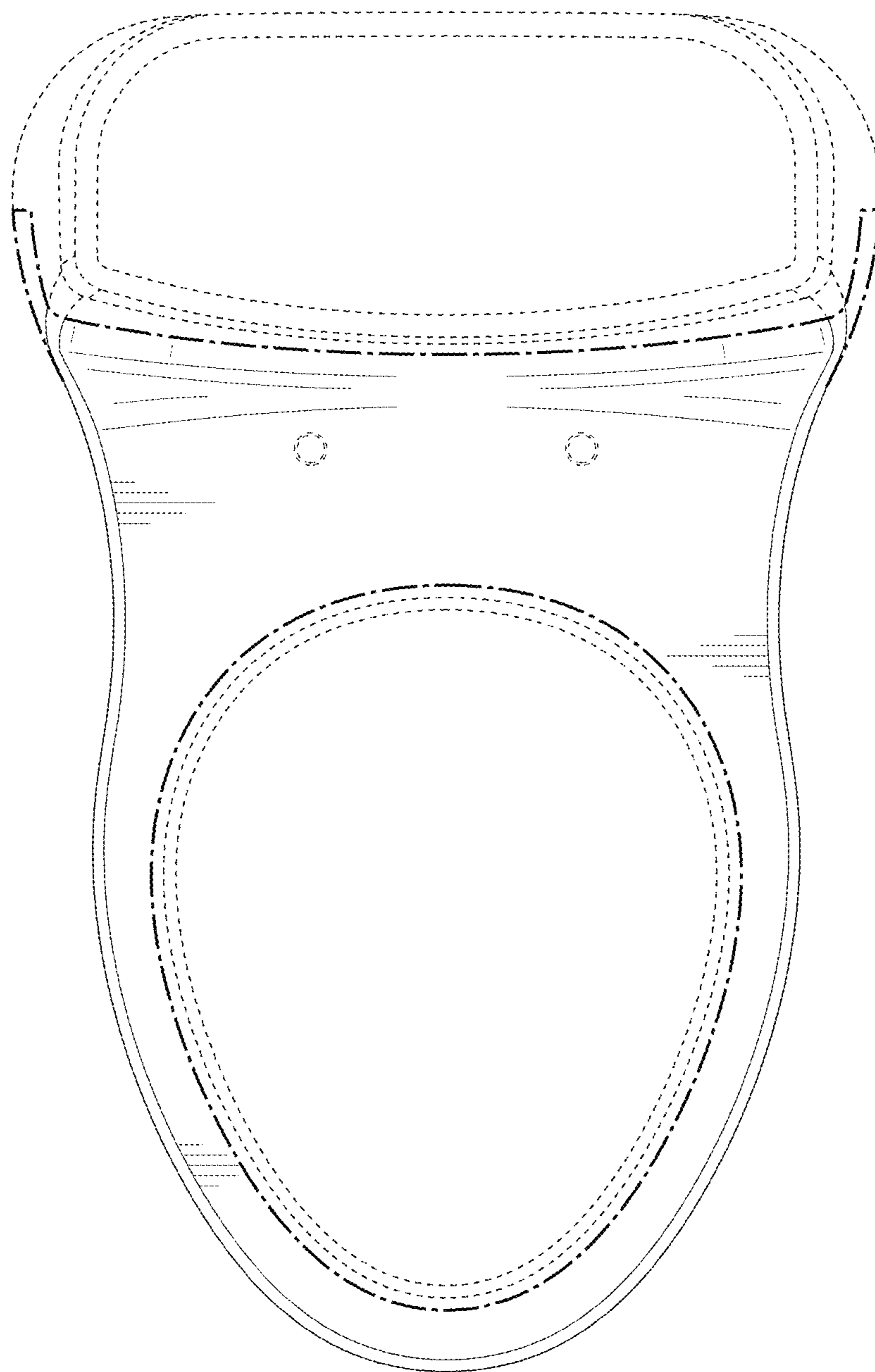


FIG. 6

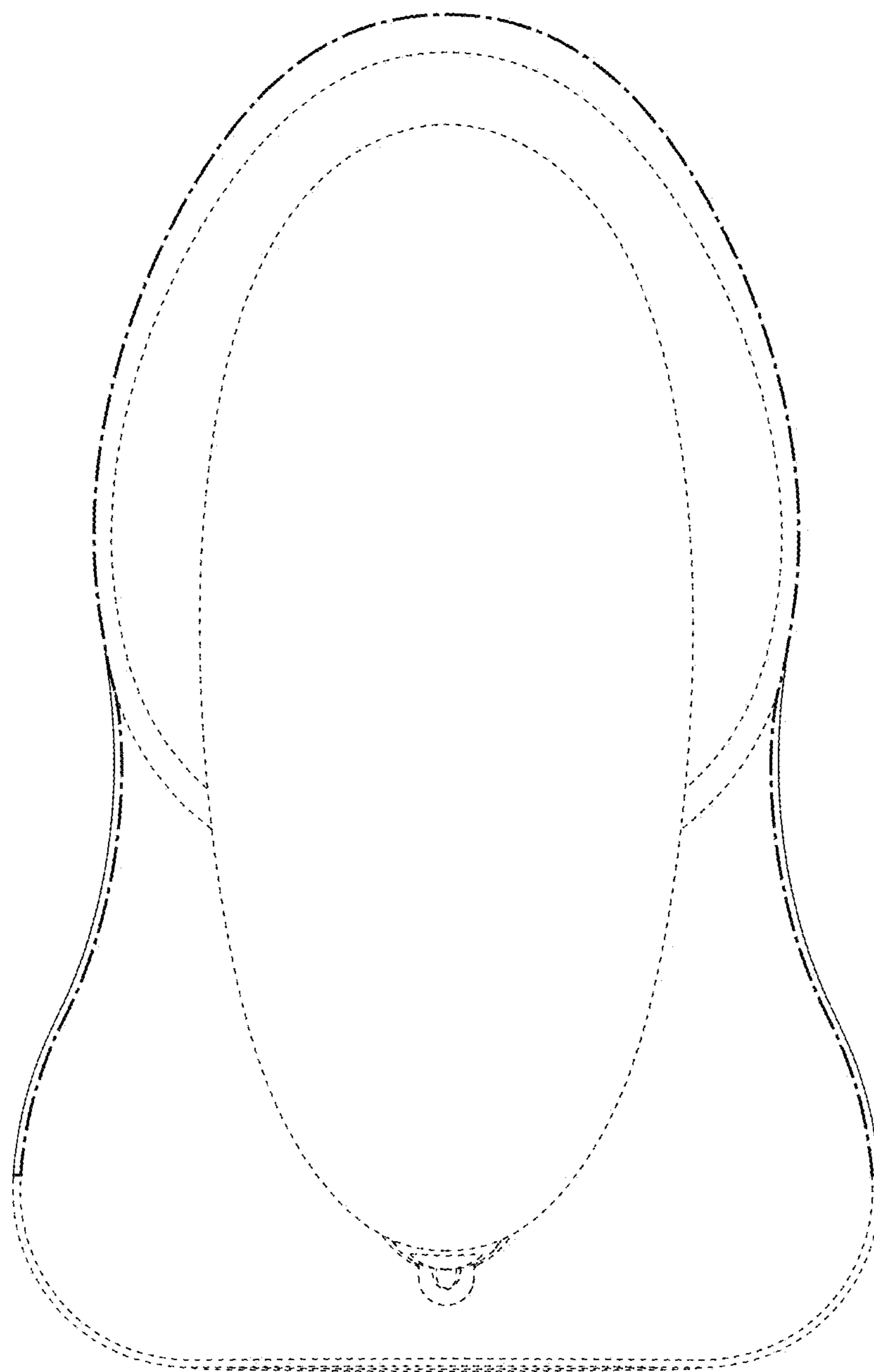


FIG. 7