

US00D935580S

(12) **United States Design Patent** (10) **Patent No.:** **US D935,580 S**
Belozerova et al. (45) **Date of Patent:** **** Nov. 9, 2021**

(54) **SINK**
(71) Applicant: **Zurn Industries, LLC**, Milwaukee, WI (US)
(72) Inventors: **Vladlena Belozerova**, Philadelphia, PA (US); **Thomas W. Murray**, Philadelphia, PA (US); **Christopher J. Murray**, Philadelphia, PA (US)
(73) Assignee: **ZURN INDUSTRIES, LLC**, Milwaukee, WI (US)
(**) Term: **15 Years**

D697,185 S 1/2014 Spangler
D697,596 S * 1/2014 Spangler D23/293.1
D710,978 S 8/2014 Spangler
D744,620 S 12/2015 Adkison et al.
D745,122 S 12/2015 Schonherr et al.
D745,951 S 12/2015 Schonherr et al.
D791,288 S 7/2017 Schonherr et al.
D797,907 S * 9/2017 Esteve D23/293.1
D800,278 S 10/2017 Breda
D804,621 S 12/2017 Brandli
D805,169 S * 12/2017 Stevenson D23/293.1
D810,896 S 2/2018 Streng
D831,798 S * 10/2018 L'Henaff D23/293.1
D838,351 S 1/2019 Yoshihara
D840,005 S * 2/2019 Wieser D23/290
D840,518 S * 2/2019 Richter D23/284

(Continued)

(21) Appl. No.: **29/741,412**
(22) Filed: **Jul. 13, 2020**

Primary Examiner — John A Voytek
(74) *Attorney, Agent, or Firm* — Michael Best & Friedrich LLP

Related U.S. Application Data

(62) Division of application No. 29/621,504, filed on Oct. 9, 2017, now Pat. No. Des. 890,311.
(51) **LOC (13) Cl.** **23-02**
(52) **U.S. Cl.**
USPC **D23/293.1**
(58) **Field of Classification Search**
USPC D23/284, 293.1, 287-292, 303, 308
CPC A47K 1/04; A47B 77/06; A47J 47/20
See application file for complete search history.

(57) **CLAIM**

The ornamental design for a sink, as shown and described.

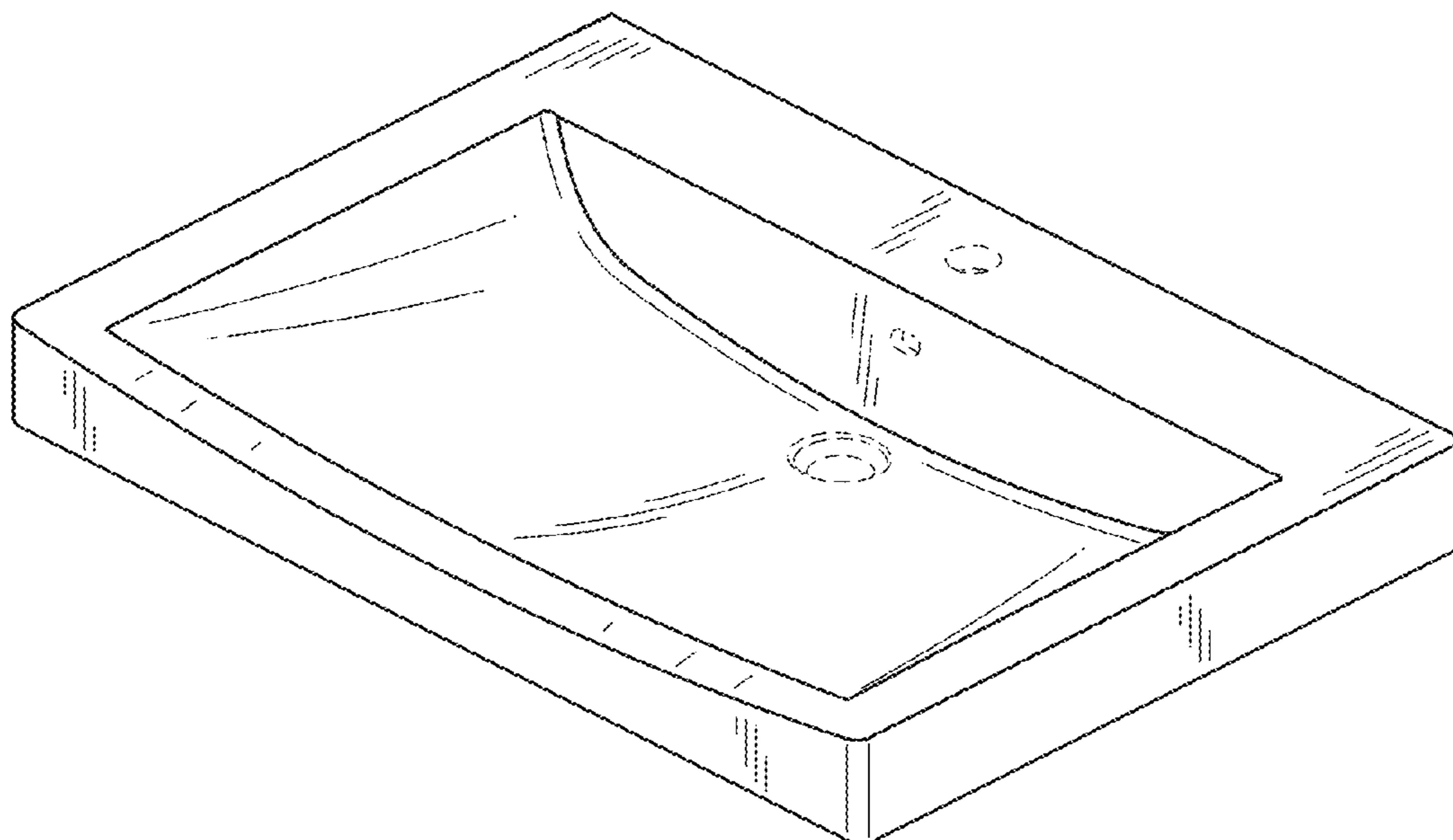
DESCRIPTION

FIG. 1 is a top, front, and right side perspective view of a sink in accordance with our new design;
FIG. 2 is a top plan view of the sink of FIG. 1;
FIG. 3 is a front elevational view of the sink of FIG. 1;
FIG. 4 is a rear elevational view of the sink of FIG. 1;
FIG. 5 is a right side elevational view of the sink of FIG. 1;
FIG. 6 is a left side elevational view of the sink of FIG. 1;
FIG. 7 is a bottom plan view of the sink of FIG. 1; and,
FIG. 8 is a cross-sectional side view of the sink taken through line 8-8 of FIG. 2.
The dash-dash broken lines are for the purpose of illustrating unclaimed subject matter only and form no part of the claimed design.

(56) **References Cited**
U.S. PATENT DOCUMENTS

D391,353 S 2/1998 McKeone
D499,797 S 12/2004 Bates
D507,334 S 7/2005 Ferrer Beltran
D518,560 S 4/2006 Arkay-Leliever
D545,415 S 6/2007 Tani et al.
D601,679 S 10/2009 Soulier
D659,811 S 5/2012 Licini

1 Claim, 5 Drawing Sheets



(56)

References Cited

U.S. PATENT DOCUMENTS

D875,903 S * 2/2020 Flowers D23/284
D890,311 S * 7/2020 Belozerova D23/290
D892,990 S * 8/2020 Thorne D23/293.1
D896,931 S * 9/2020 Flowers D23/284
D912,786 S * 3/2021 Flowers D23/284
2014/0223658 A1 8/2014 Kempen et al.

* cited by examiner

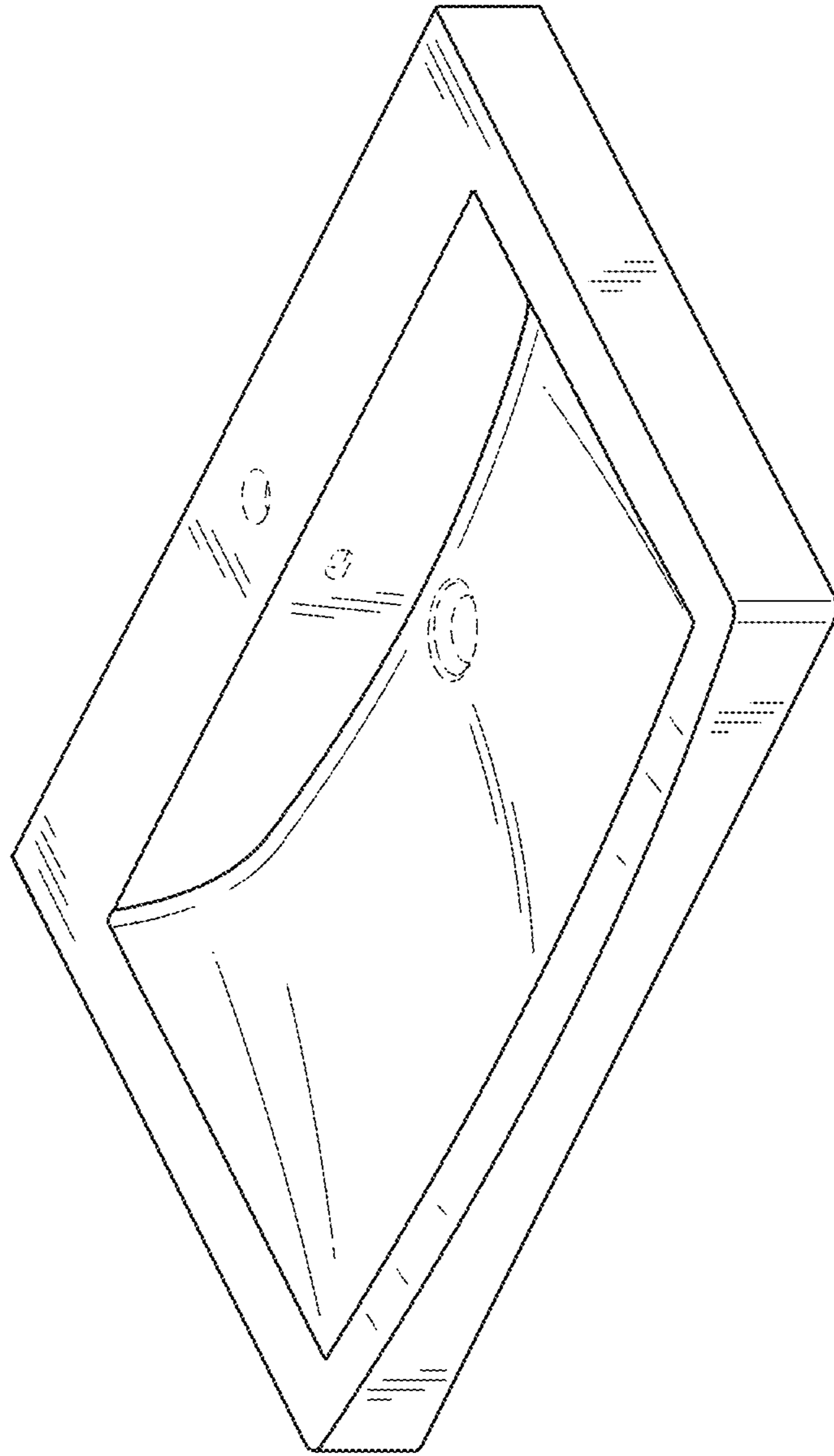


FIG. 1

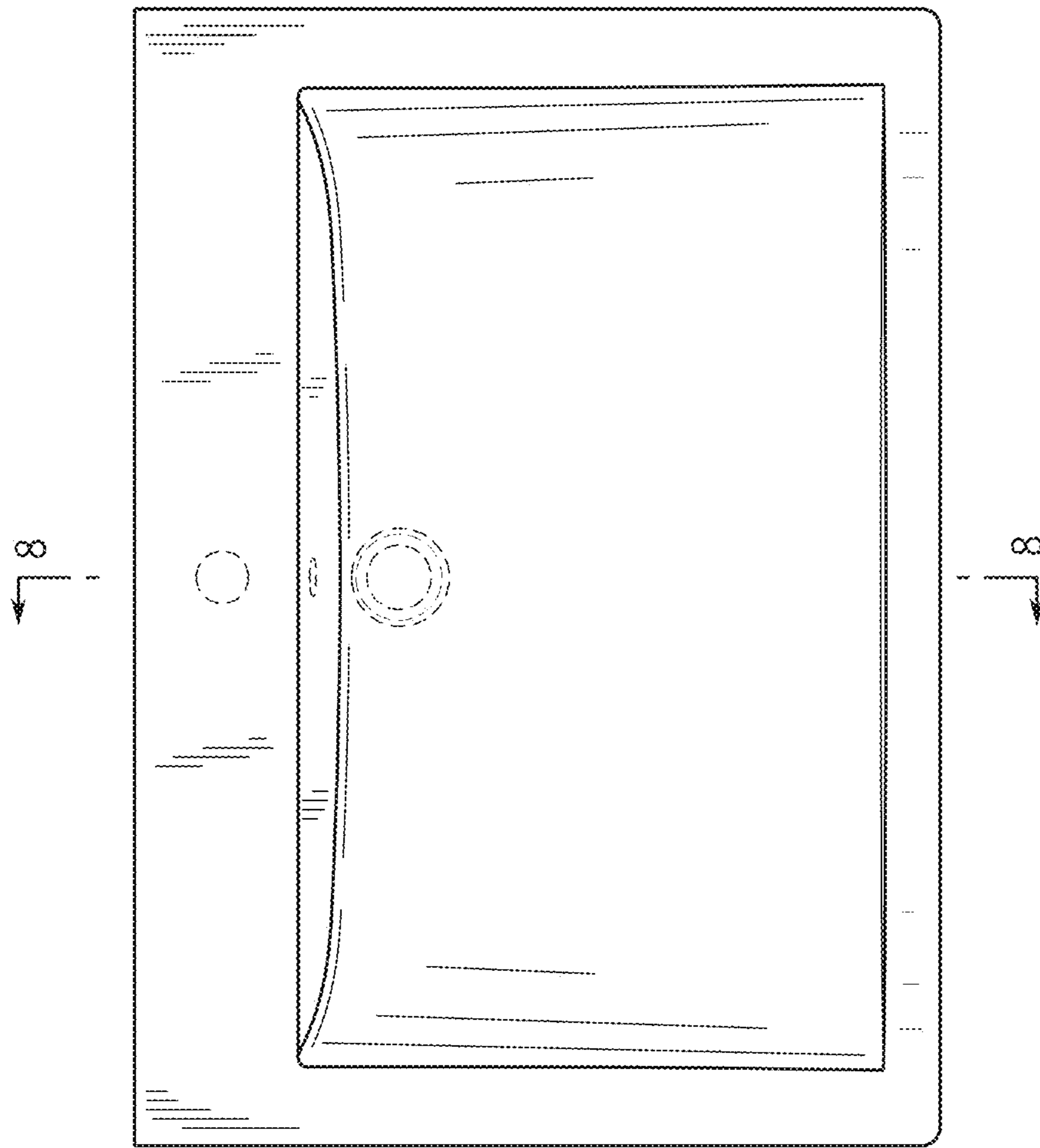


FIG. 2

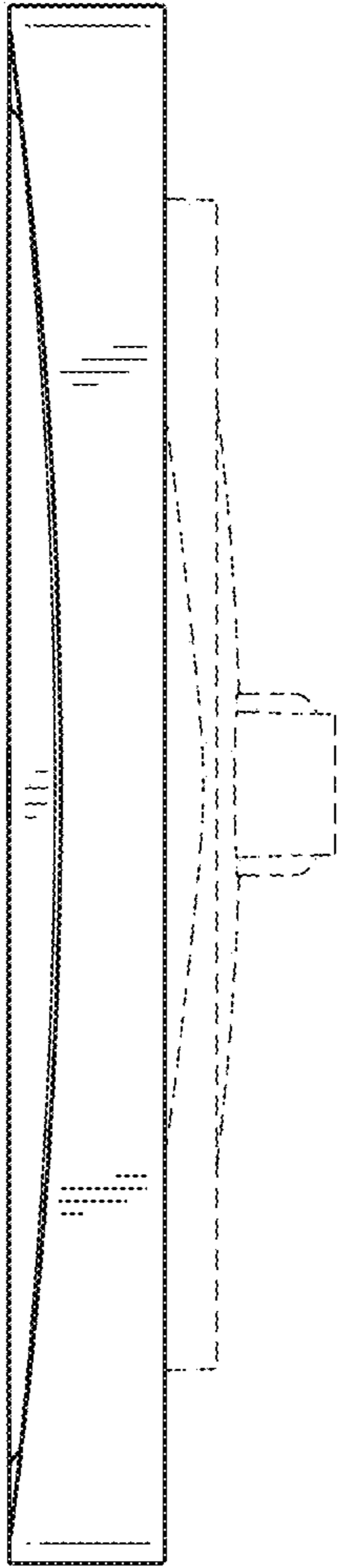


FIG. 3

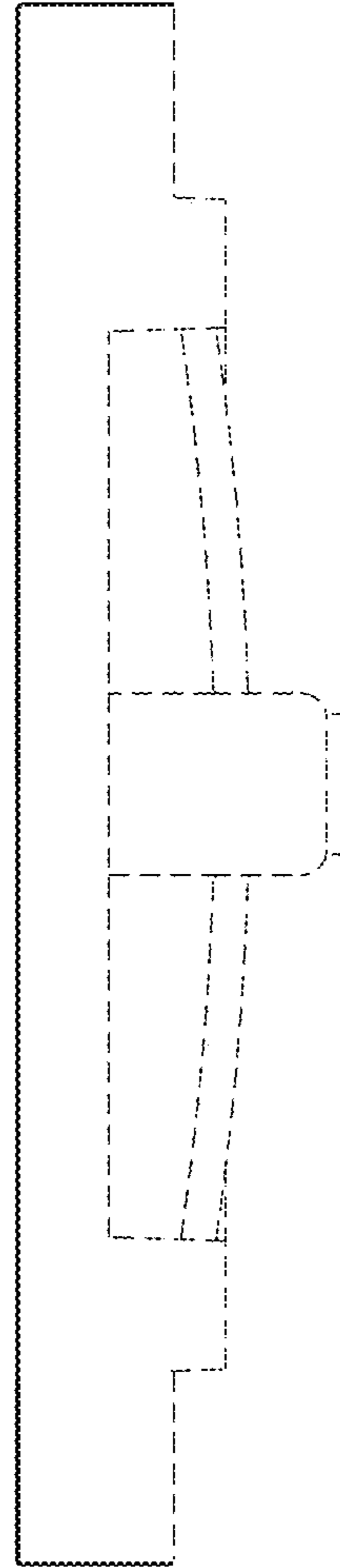


FIG. 4

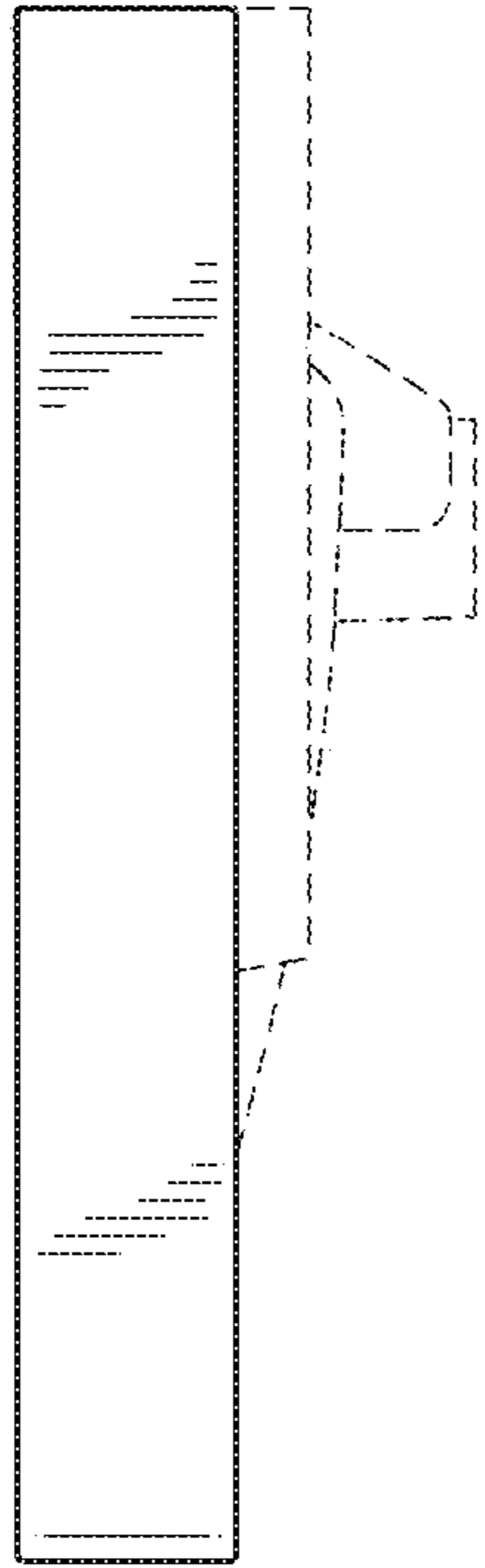


FIG. 5

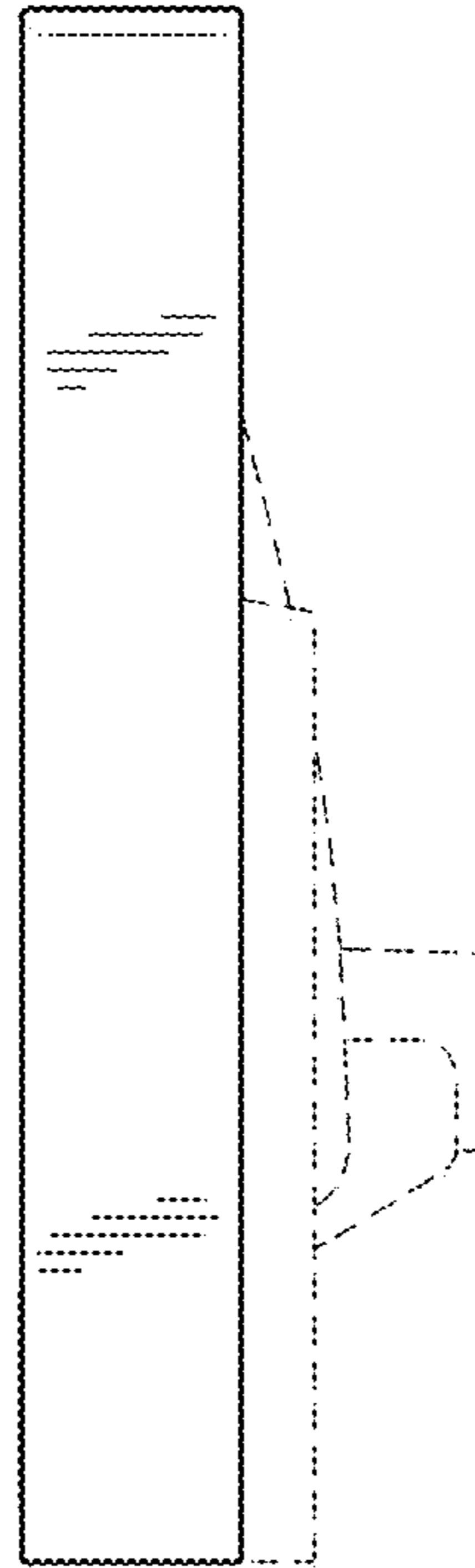


FIG. 6

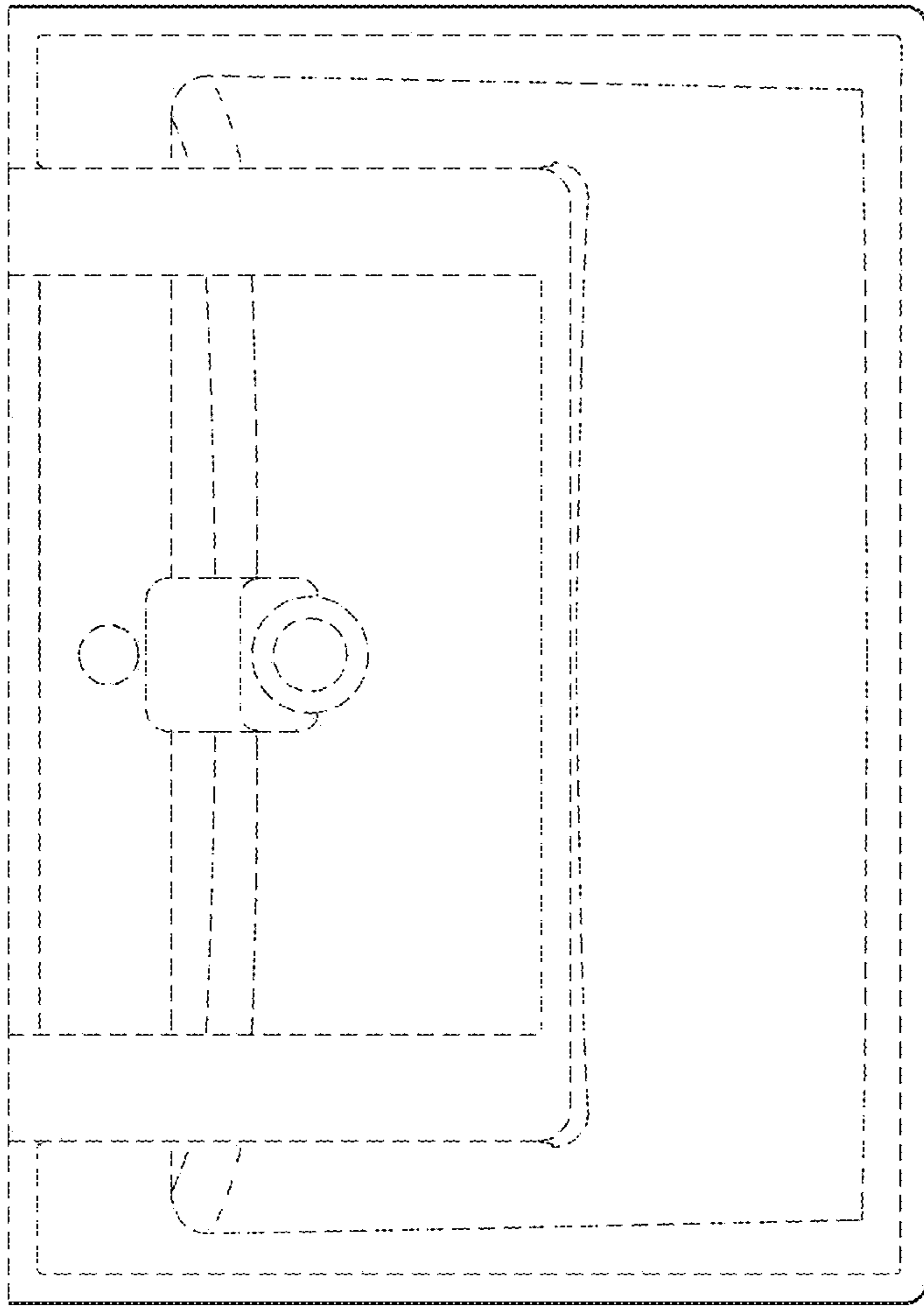


FIG. 7

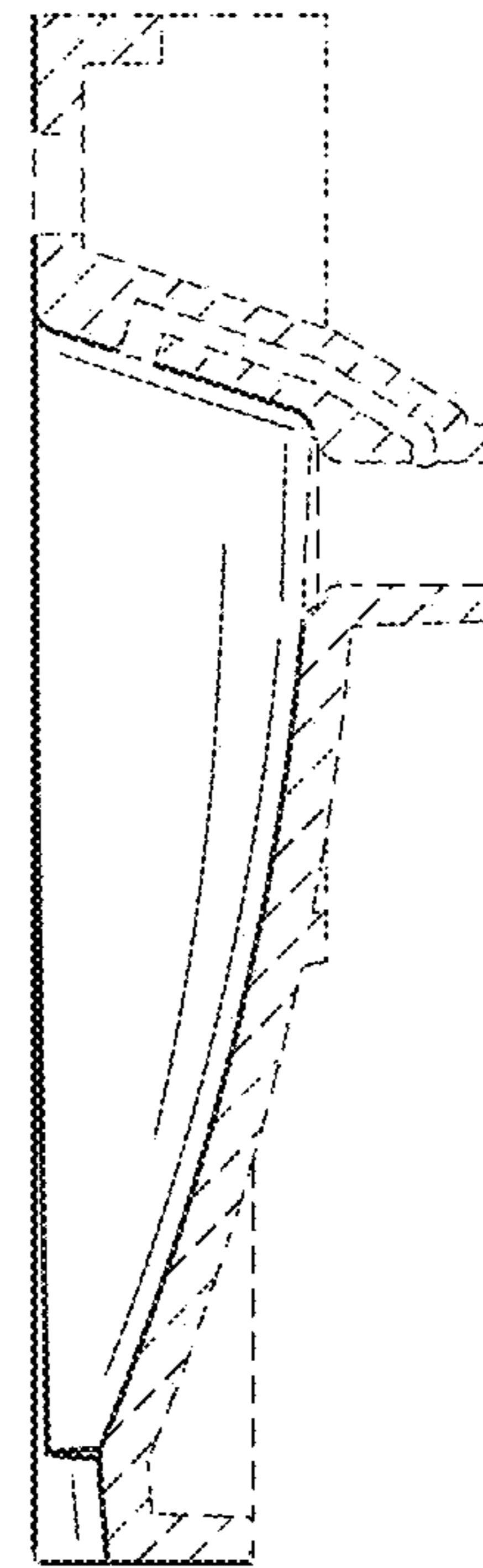


FIG. 8