



US00D935577S

(12) **United States Design Patent** (10) **Patent No.:** **US D935,577 S**
Biesinger (45) **Date of Patent:** **** Nov. 9, 2021**

(54) **INFANT BATH TUB**

D888,904 S * 6/2020 Tu D23/278
D888,906 S * 6/2020 Tu D23/278
2020/0253427 A1* 8/2020 Biesinger A47K 3/024

(71) Applicant: **MUNCHKIN, INC.**, Van Nuys, CA (US)

FOREIGN PATENT DOCUMENTS

(72) Inventor: **Quinn Michael Biesinger**, Los Angeles, CA (US)

CN	301873210	10/2011
EM	0015195470001	5/2009
EM	0015195470003	5/2009
EM	0017974240001	12/2010
EM	0022241960001	4/2013
EM	0026167630001	1/2015
EM	0010073140001	9/2018

(73) Assignee: **Munchkin, Inc.**, Van Nuys, CA (US)

(**) Term: **15 Years**

(21) Appl. No.: **29/746,899**

OTHER PUBLICATIONS

(22) Filed: **Aug. 18, 2020**

“Mothercare Daisy Lane Set (Pink)” Web page <<https://www.amazon.in/Mothercare-Daisy-Lane-Bath-Pink/dp/B00BWOBQE2>>, 5 pages, retrieved Apr. 13, 2021.

Related U.S. Application Data

(Continued)

(63) Continuation of application No. 16/785,422, filed on Feb. 7, 2020.

Primary Examiner — Robert A Delehanty

(51) **LOC (13) Cl.** **23-02**

(74) *Attorney, Agent, or Firm* — Alan D. Borelli, Esq.; Robert Z. Evora, Esq.

(52) **U.S. Cl.**

USPC **D23/278**

(58) **Field of Classification Search**

USPC D23/278; D7/535, 548; D6/601

CPC A47K 3/024

See application file for complete search history.

(57) **CLAIM**

The ornamental design for an infant bath tub, as shown and described.

DESCRIPTION

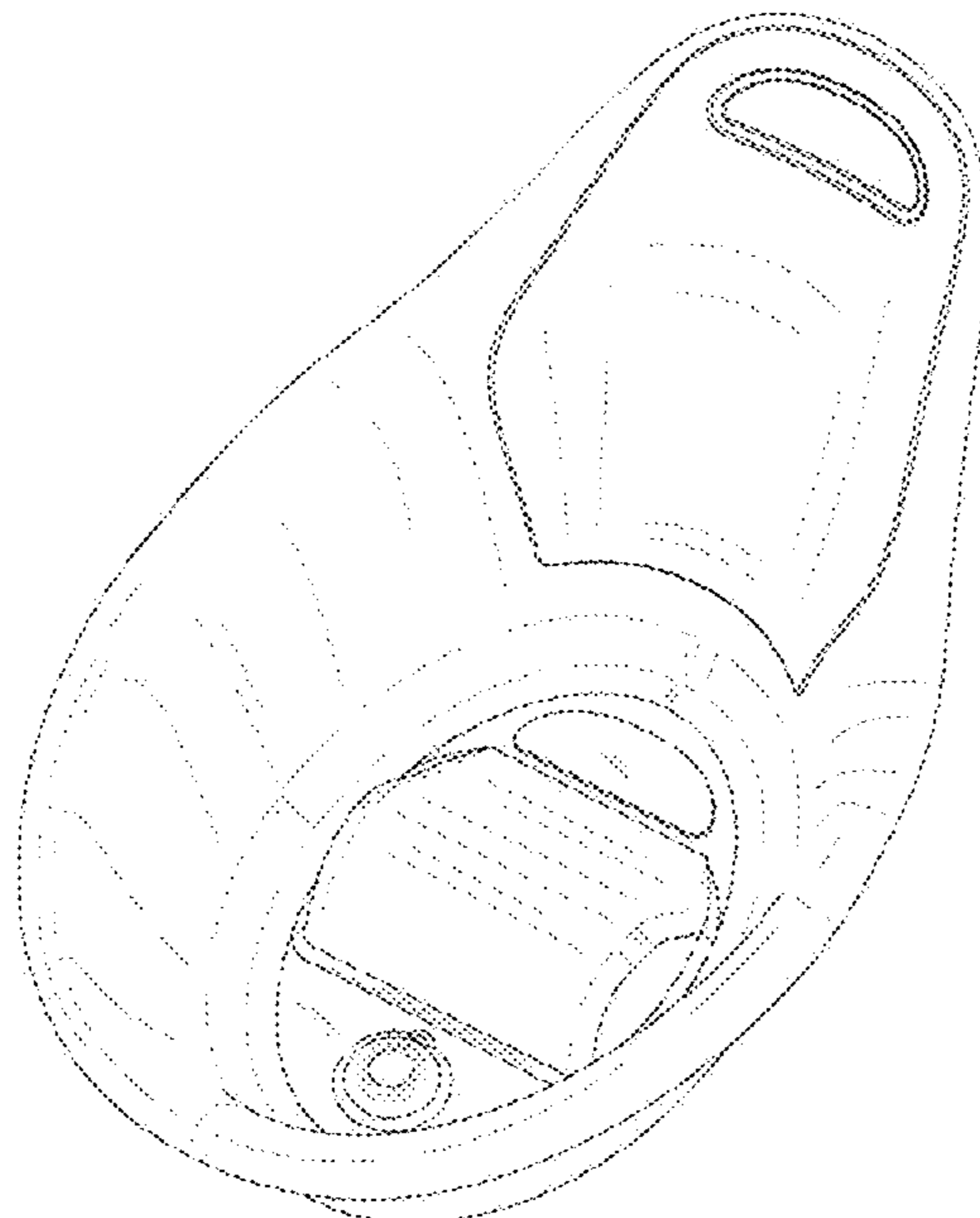
(56) **References Cited**

U.S. PATENT DOCUMENTS

3,341,866	A *	9/1967	Wright	A47K 3/002
					4/583
D694,867	S *	12/2013	Quigley	D23/277
D724,707	S *	3/2015	Murphy	D23/278
D757,234	S *	5/2016	Pereira	D23/278
D786,570	S *	5/2017	Denton	A47K 3/024
					D6/333
D787,030	S *	5/2017	Shany	D23/278

FIG. 1 is a top view of an infant bath tub of our new design; FIG. 2 is a side view thereof; FIG. 3 is a front view thereof; FIG. 4 is an upper perspective view thereof; FIG. 5 is a lower perspective view thereof; and, FIG. 6 is a side cross-section view at 6-6 in FIG. 1 thereof. The broken lines shown in the drawings represent environmental structure in FIGS. 1-6 that form no part of the claimed design.

1 Claim, 6 Drawing Sheets



(56)

References Cited

OTHER PUBLICATIONS

“Tippitoes Mini Bath—White/Green” Web page <<https://tippitoes-development.myshopify.com/products/tippitoes-mini-bath-white-green>>, 2 pages, retrieved Apr. 15, 2021.

“Victoria and Albert Amalfi 65" Free Standing Natural Stone Soaking Tub with Reversible Drain” Web page <https://www.build.com/products/summary/1763381?uid=4163764&jmtest=gg-gbav2_4163764&inv2=gg-gba-pla_4163764lc1713577913!a69901017074ldclng&gclid=Cj0KCQjwyN-DBhCDAR1sAFOELTn41SsWdRfD-OhAU5Wrl8zBi80qPrkvln7zClbPP3W1Dw46yHWsaAubiEALw_wcB&gclid=aw.ds>, 4 pages, retrieved Apr. 15, 2021.

“Mebby Cocoon Portable Baby Bath” Web page <<https://momitall.net/products/mebby-cocoon-portable-baby-bath>>, 4 pages, retrieved Apr. 15, 2021.

“Mothercare Daisy Lane Bath Set (Pink)” Web page <<https://www.amazon.in/Mothercare-Daisy-Lane-Bath-Pink/dp/B00BWOBQE2>>, 5 pages, retrieved Apr. 13, 2021.

“Victoria and Albert Amalfi 65" Free Standing Stone Soaking Tub with Reversible Drain” Web page <https://www.build.com/products/summary/1763381?uid=4163764&jmtest=gg-gbav2_4163764&inv2=1&&source=gg-gba-pla_4163764lc1713577913!a69901017074ldclng&gclid=Cj0KCQjwyN-DBhCDAR1sAFOELTn4tSsWdRfD-OhAU5Wrl8zBi80qPrkvln7zClbPP3W1Dw46yHWsaAubiEALw_wcB&gclid=aw.ds>, 4 pages, retrieved Apr. 15, 2021.

* cited by examiner

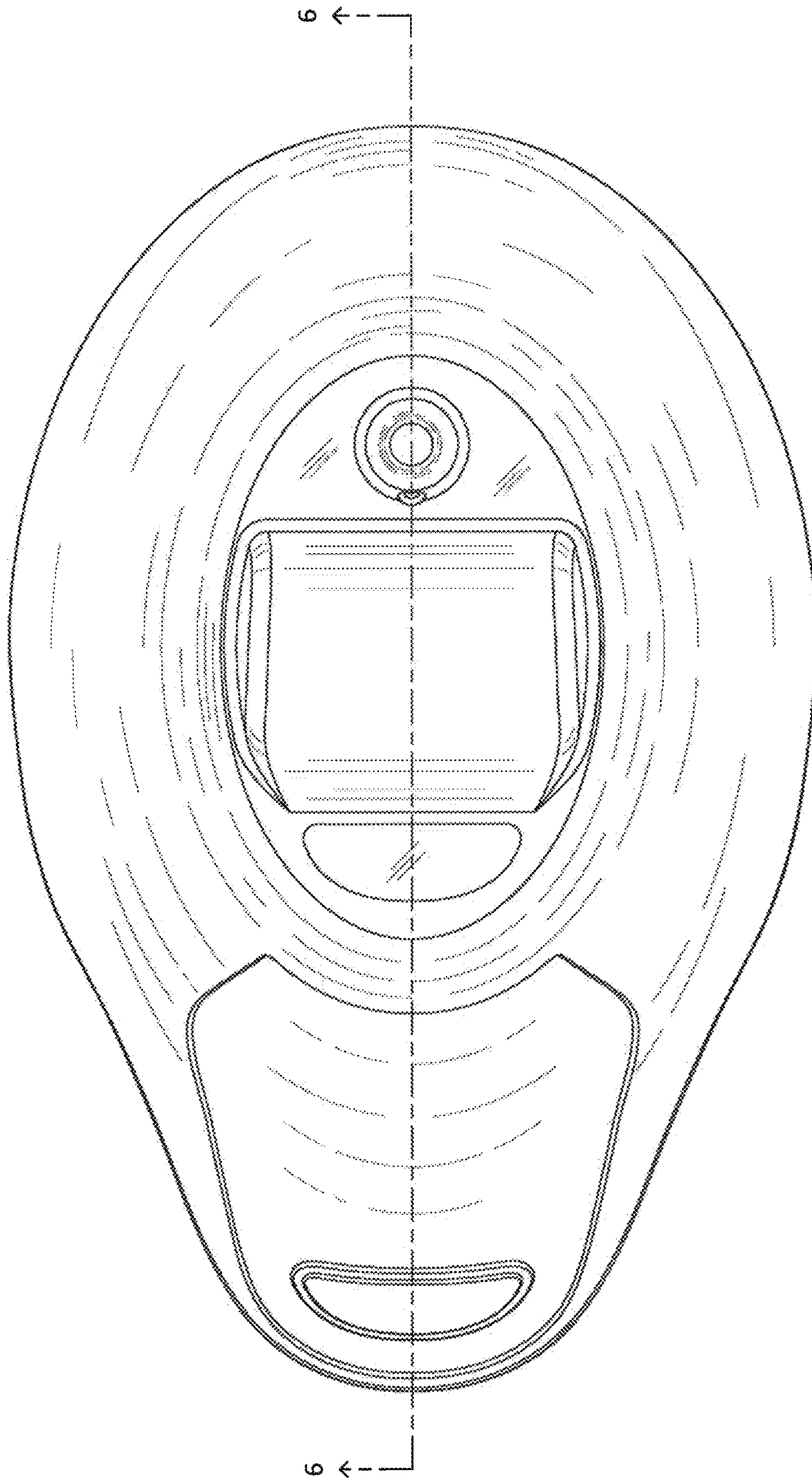


FIG. 1

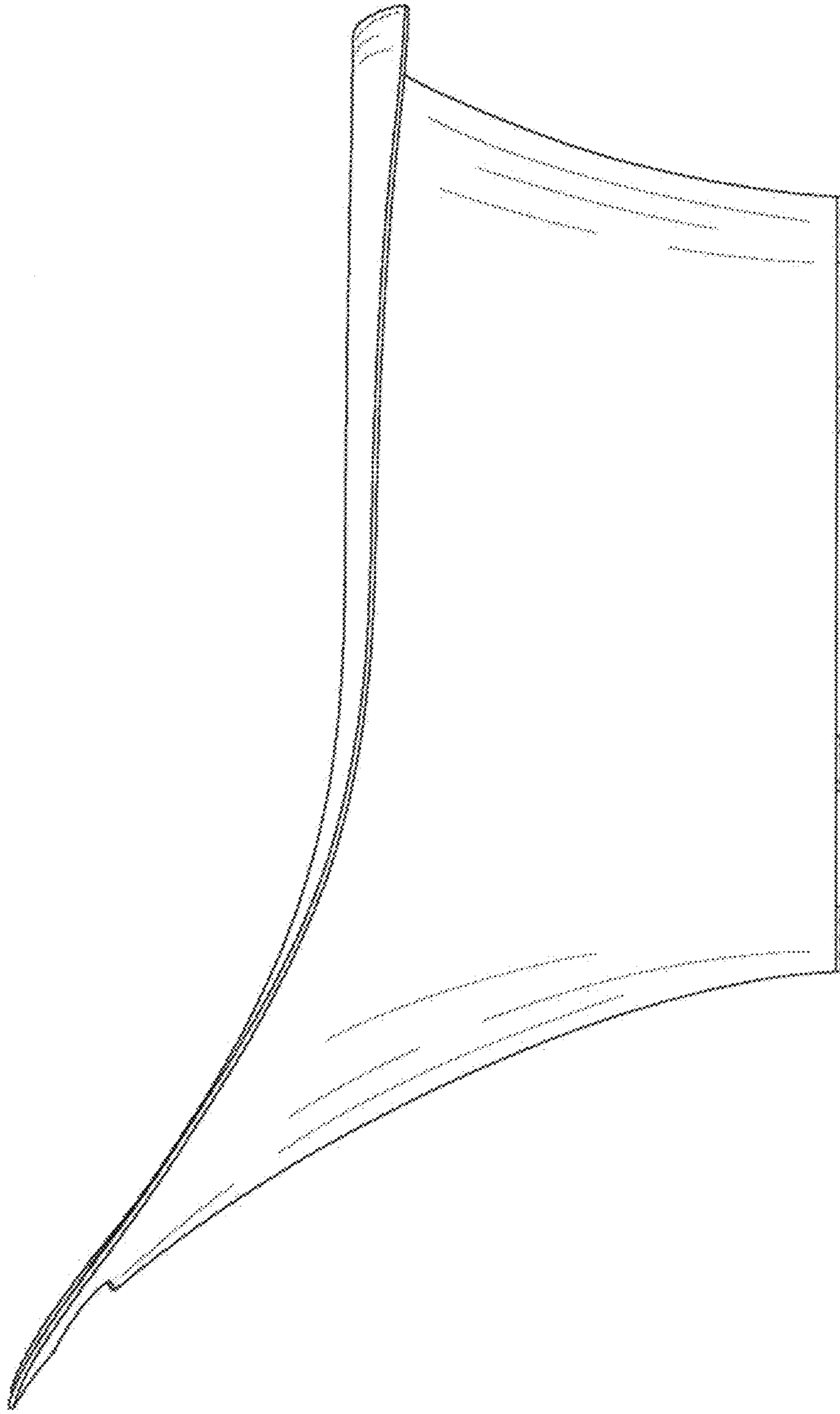


FIG. 2

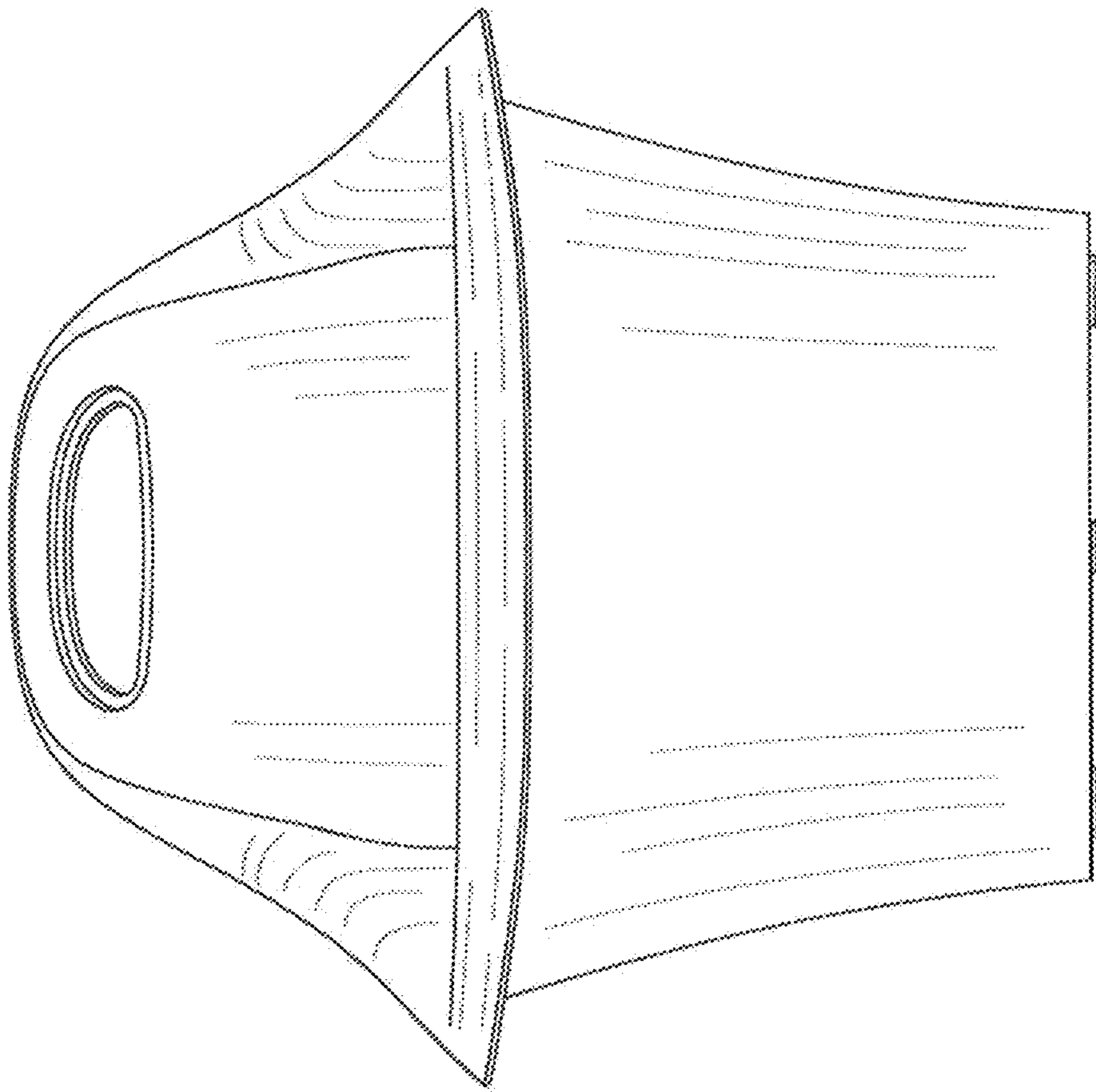


FIG. 3

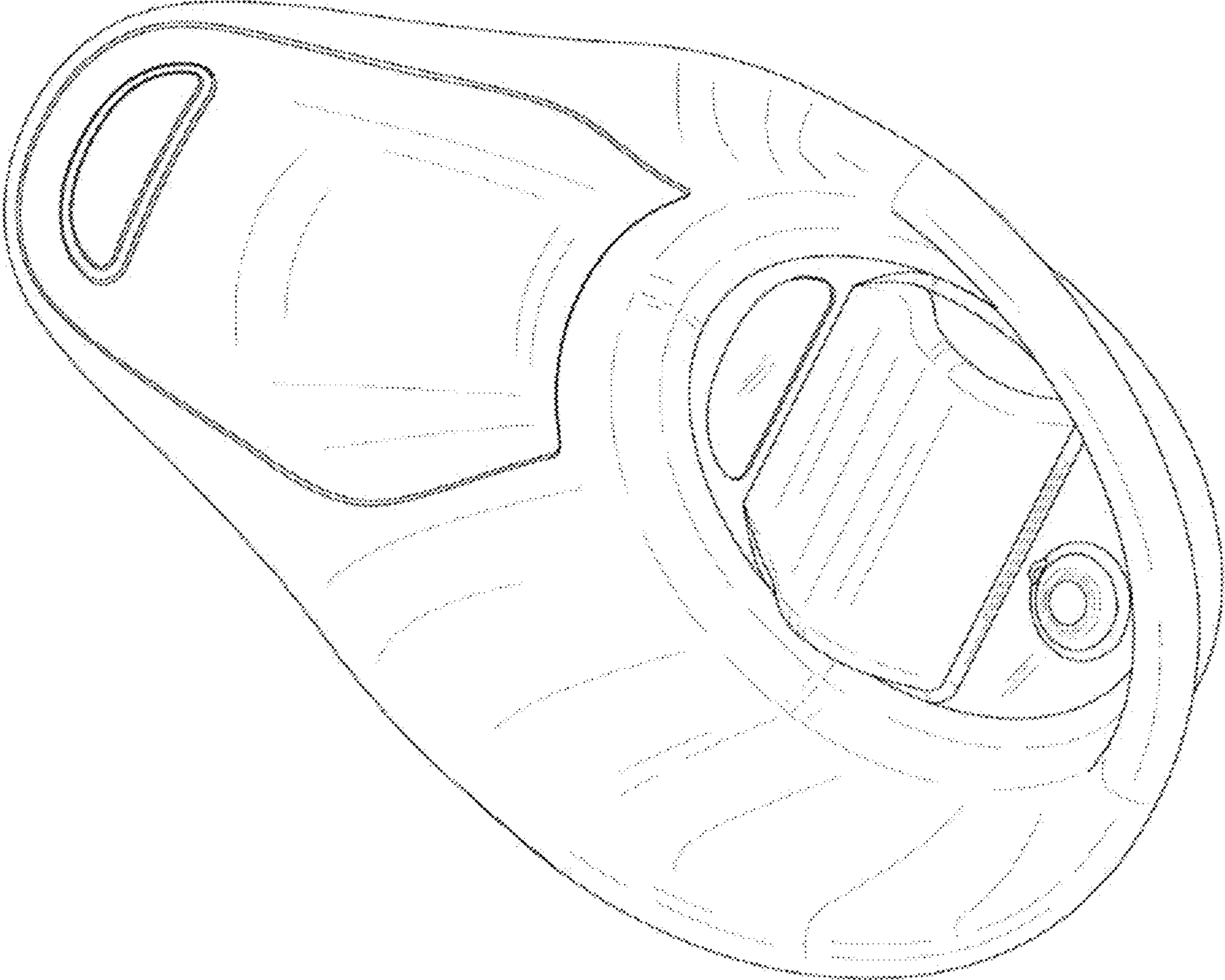


FIG. 4

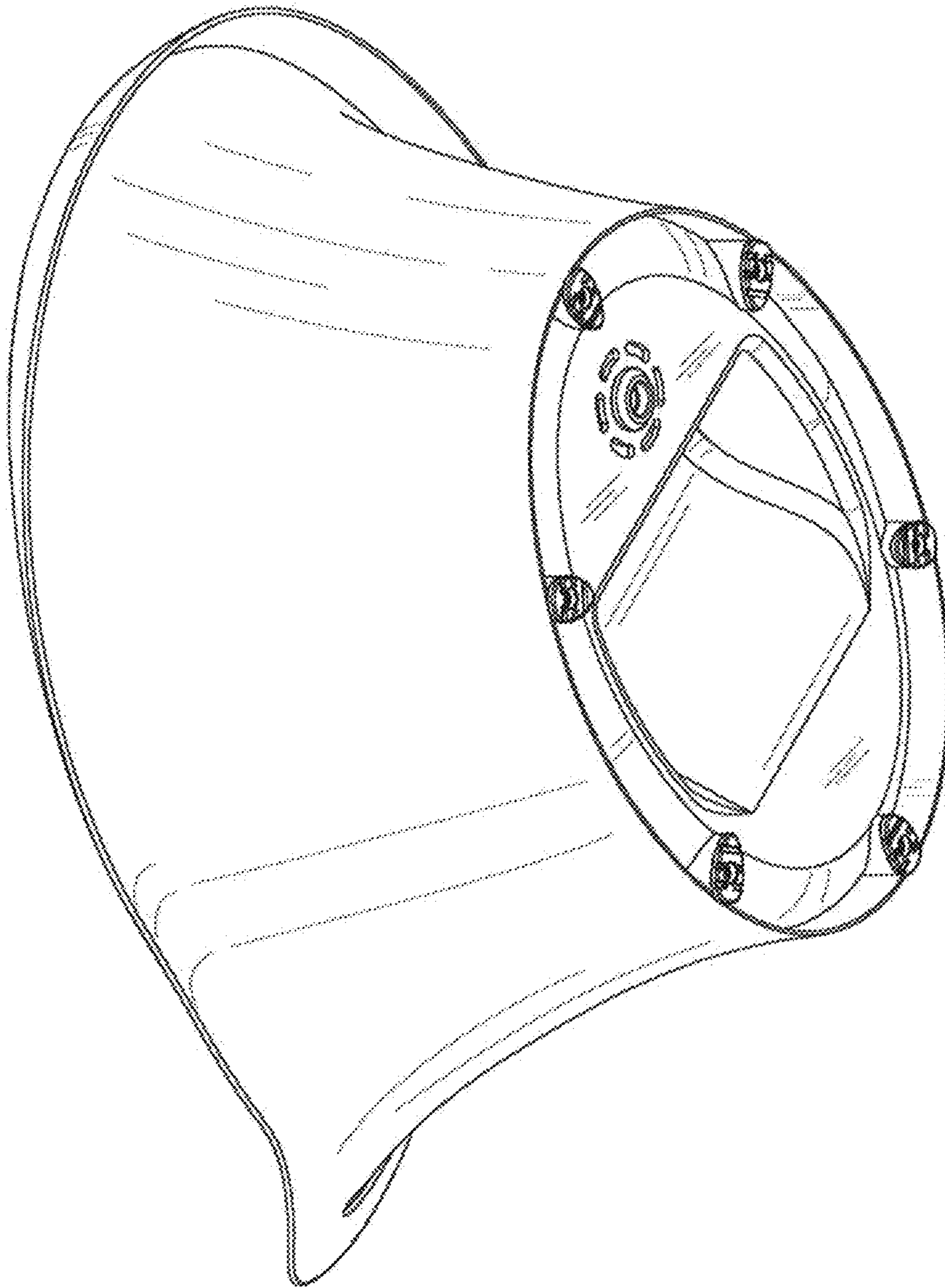


FIG. 5

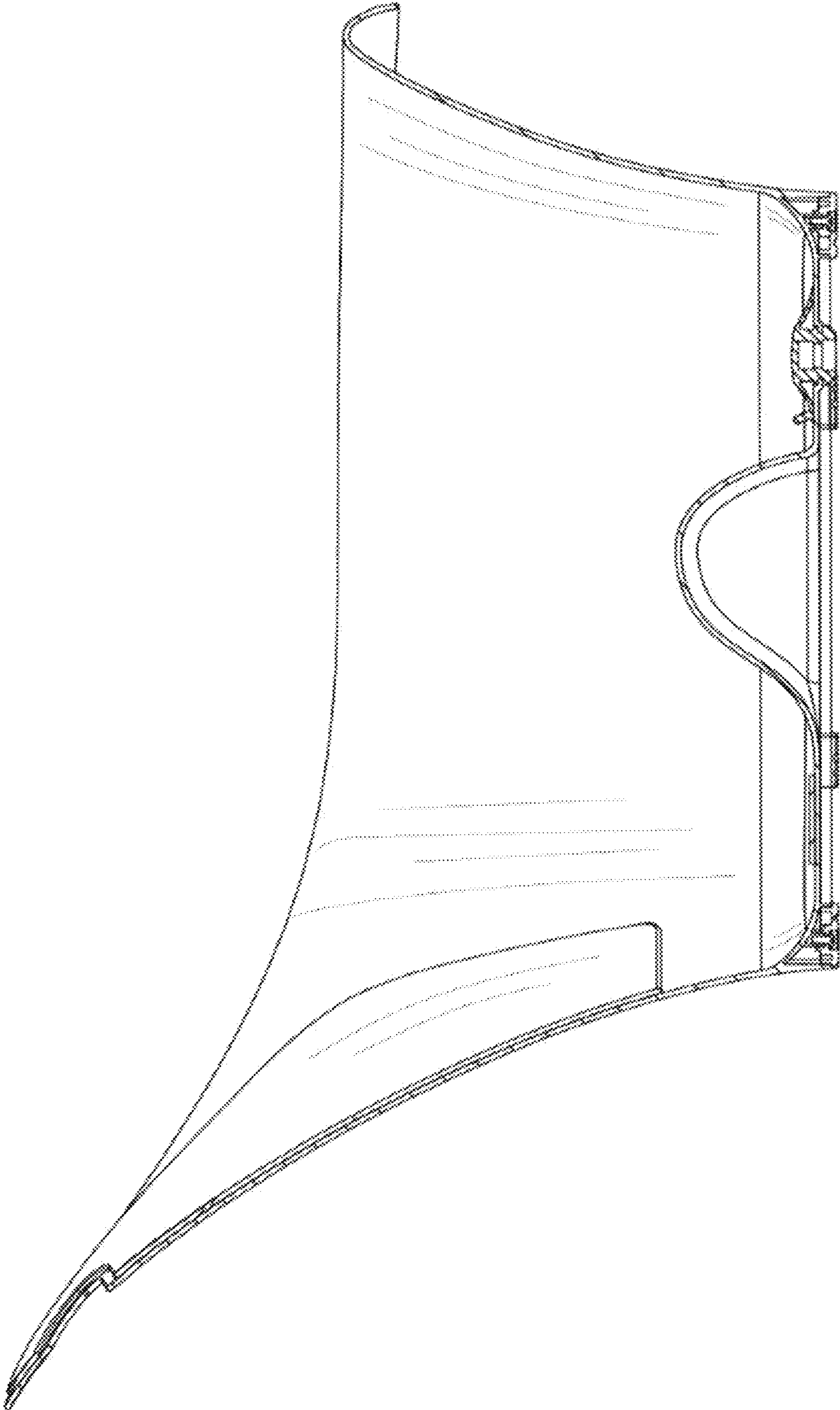


FIG. 6