



US00D935576S

(12) **United States Design Patent**
Jacob

(10) **Patent No.:** **US D935,576 S**

(45) **Date of Patent:** **** Nov. 9, 2021**

(54) **GASKET**

(71) Applicant: **BruMate, LLC**, Denver, CO (US)

(72) Inventor: **Dylan M. Jacob**, Denver, CO (US)

(73) Assignee: **BruMate, Inc.**, Dover, DE (US)

(**) Term: **15 Years**

(21) Appl. No.: **29/688,948**

(22) Filed: **Apr. 25, 2019**

(51) **LOC (13) Cl.** **23-01**

(52) **U.S. Cl.**
USPC **D23/269**

(58) **Field of Classification Search**
USPC D23/259–262, 269, 249; D15/5, 148,
D15/138, 143; 277/491, 566, 608,
277/609–610, 612, 639, 641, 924,
277/348–353, 435–436, 453, 587, 309;
D7/396.2, 509–511, 677; 220/203.14,
220/221, 228, 235, 304, 310.1, 320,
220/345.6, 803–804, 806; D9/449–450
CPC ... F16J 15/3232; A47G 23/0266; B65D 53/02
See application file for complete search history.

(56) **References Cited**

U.S. PATENT DOCUMENTS

- | | | | | | |
|-----------|------|---------|------------------|-------|--------------|
| 2,375,388 | A * | 5/1945 | Ryan | | B65D 53/02 |
| | | | | | 524/557 |
| 4,596,370 | A * | 6/1986 | Adkins | | B62J 11/00 |
| | | | | | 224/414 |
| 5,212,963 | A | 5/1993 | McGinnis | | |
| D355,708 | S * | 2/1995 | Caine | | D23/260 |
| D373,704 | S | 9/1996 | Doxey | | |
| D398,479 | S | 9/1998 | Vultaggio et al. | | |
| D416,198 | S | 11/1999 | Lindsay | | |
| 6,604,649 | B1 * | 8/2003 | Campi | | B65D 81/3886 |
| | | | | | 220/592.17 |
| D492,546 | S | 7/2004 | Bodum | | |
| D501,362 | S | 2/2005 | Gauss | | |
| D534,762 | S | 1/2007 | Gluck | | |

- | | | | | | |
|-----------|----|---------|----------------|--|--|
| D539,155 | S | 3/2007 | Steinmann | | |
| D539,567 | S | 3/2007 | Webb et al. | | |
| D541,665 | S | 5/2007 | Druart | | |
| D551,984 | S | 10/2007 | La Kier et al. | | |
| D557,140 | S | 12/2007 | Voight et al. | | |
| D591,556 | S | 5/2009 | Fuller | | |
| D602,362 | S | 10/2009 | Hering | | |
| 7,628,285 | B2 | 12/2009 | Salvia | | |
| D635,019 | S | 3/2011 | Goto et al. | | |
| D641,591 | S | 7/2011 | Tsukida | | |

(Continued)

OTHER PUBLICATIONS

BruMate HOPSULATOR Trio 3 in 1 Stainless Steel Insulated Can Cooler, works with 12 oz & 16 oz cans; Amazon First Available Date Oct. 16, 2017; Visited Online Feb. 19, 2021; See Gasket element shown in Amazon Video at Frame 0:06/1.12; [https://www.amazon.com/Br%C3%BCMate-HOPSULATOR-Stainless-Insulated- \(Year: 2017\) Coac_d_pm&cv_ct_cx=Brumate&dchild=1&keywords=Brumate&pd_rd_i=B076H8WJX2&pd_rd_r=4592d6bc-9fc3-4ecf-a77a-2deaa36c54c9&pd_rd_w=TfMaQ&pd_rd_wg=trrOm&pf_rd_p=74e4217f-8726-4d6b-af71-a22323d374bb&pf_rd_r=GY4FBCX2C37S4BJSVJFF&psc=1&qid=1613757715&sr=1-2-22d05c05-1231-4126-b7c4-3e7a9c0027d.*](https://www.amazon.com/Br%C3%BCMate-HOPSULATOR-Stainless-Insulated- (Year: 2017) Coac_d_pm&cv_ct_cx=Brumate&dchild=1&keywords=Brumate&pd_rd_i=B076H8WJX2&pd_rd_r=4592d6bc-9fc3-4ecf-a77a-2deaa36c54c9&pd_rd_w=TfMaQ&pd_rd_wg=trrOm&pf_rd_p=74e4217f-8726-4d6b-af71-a22323d374bb&pf_rd_r=GY4FBCX2C37S4BJSVJFF&psc=1&qid=1613757715&sr=1-2-22d05c05-1231-4126-b7c4-3e7a9c0027d.*)

Primary Examiner — Amy C Wierenga

(74) *Attorney, Agent, or Firm* — Reichel Stohry Dean LLP; Mark C. Reichel; Natalie J. Dean

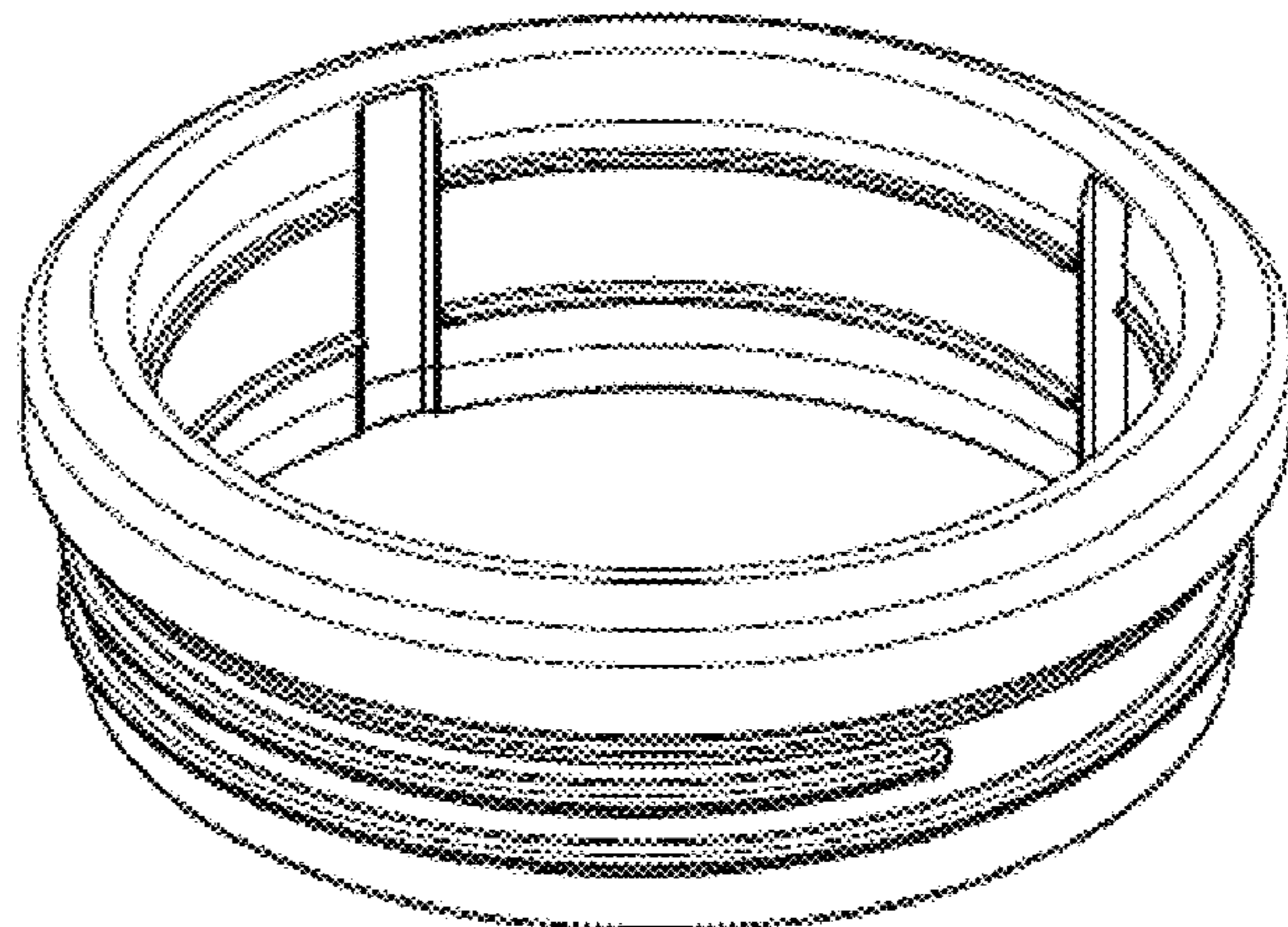
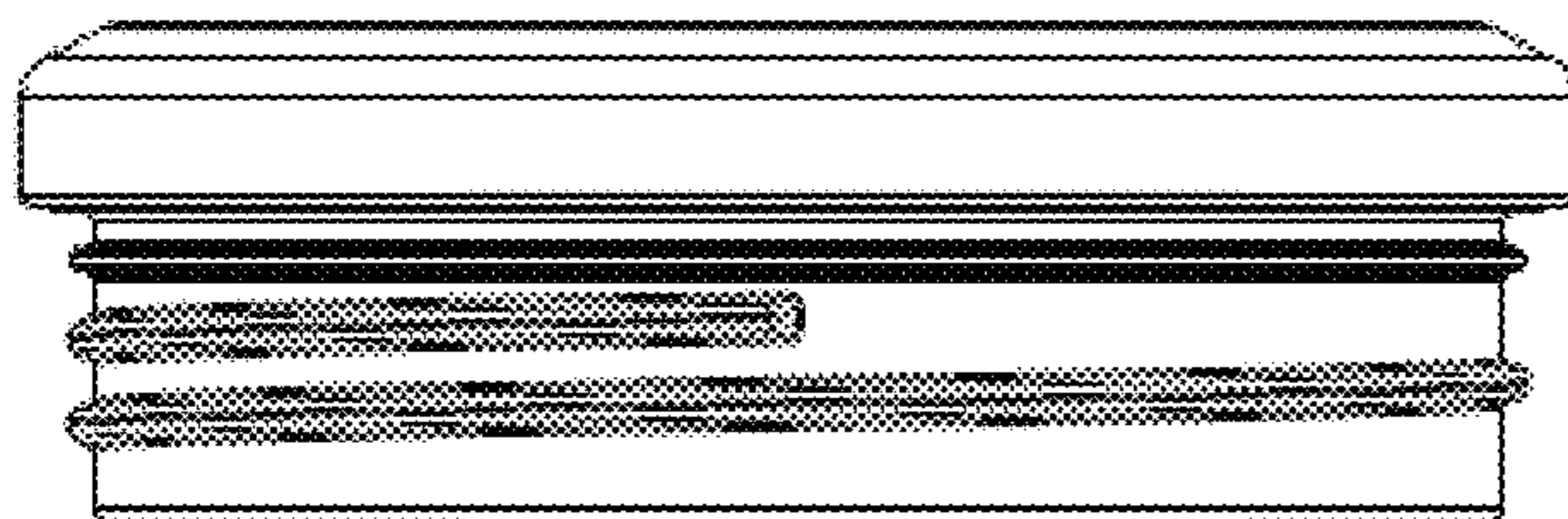
(57) **CLAIM**

The ornamental design for a gasket, as shown and described.

DESCRIPTION

FIG. 1 is a front view of a gasket showing our new design; FIG. 2 is a left side view thereof; FIG. 3 is a rear side thereof; FIG. 4 is a right side view thereof; FIG. 5 is a top view thereof; FIG. 6 is a bottom view thereof; and, FIG. 7 is a perspective view thereof.

1 Claim, 3 Drawing Sheets



(56)

References Cited

U.S. PATENT DOCUMENTS

8,033,407 B2	10/2011	Minca		D773,296 S	12/2016	Lynd et al.	
D654,762 S	2/2012	Gilbert		D775,495 S	1/2017	Boroski et al.	
D660,084 S	5/2012	Gilbert		D780,530 S	3/2017	Seiders et al.	
D664,045 S	7/2012	Toh et al.		D784,763 S	4/2017	Oshana	
D690,988 S	10/2013	Audette		D786,700 S	5/2017	Schlatter et al.	
D707,087 S	6/2014	Joy		D799,901 S	10/2017	Jacob	
D710,977 S *	8/2014	Chen	D23/259	D808,733 S *	1/2018	Spivey	D7/608
D715,412 S *	10/2014	Sgherri	D23/269	10,005,608 B1	6/2018	Jacob	
D727,093 S	4/2015	Lapsker		D836,403 S *	12/2018	Spivey	D7/608
D727,688 S	4/2015	Hewitt et al.		D836,983 S	1/2019	Jacob	
D728,314 S	5/2015	Carstensen et al.		2009/0250461 A1 *	10/2009	Syrkos	B65D 47/248 220/254.1
D732,968 S	6/2015	Heisner et al.		2012/0118890 A1 *	5/2012	Gilbert	B65D 43/0225 220/254.9
D750,497 S	3/2016	Gibbs et al.		2013/0126369 A1	5/2013	Gamelli	
D761,398 S *	7/2016	Murphy	D23/269	2014/0205725 A1	7/2014	Albanese	
D761,618 S	7/2016	Lapsker		2014/0251938 A1	9/2014	Rose	
D761,623 S	7/2016	Leimone		2015/0096988 A1 *	4/2015	Weyrauch	B65D 39/08 220/284
D761,624 S	7/2016	McLean et al.		2018/0086540 A1 *	3/2018	Haas	B65D 81/38
D770,851 S	11/2016	Herbst					

* cited by examiner

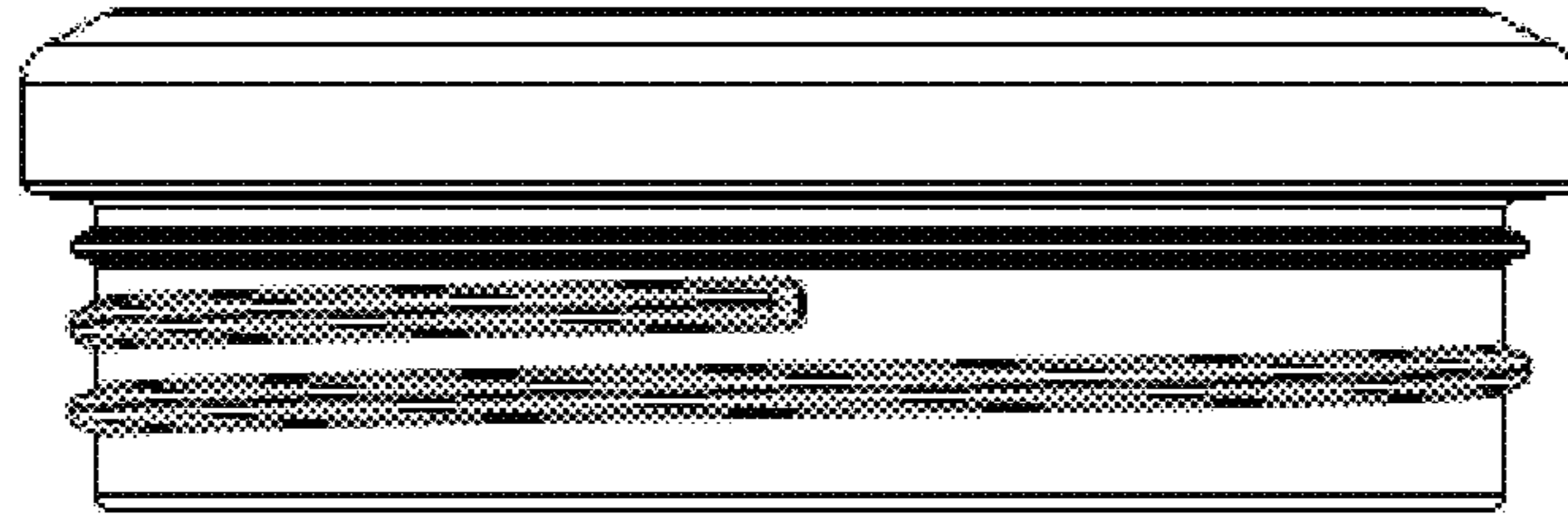


FIG. 1

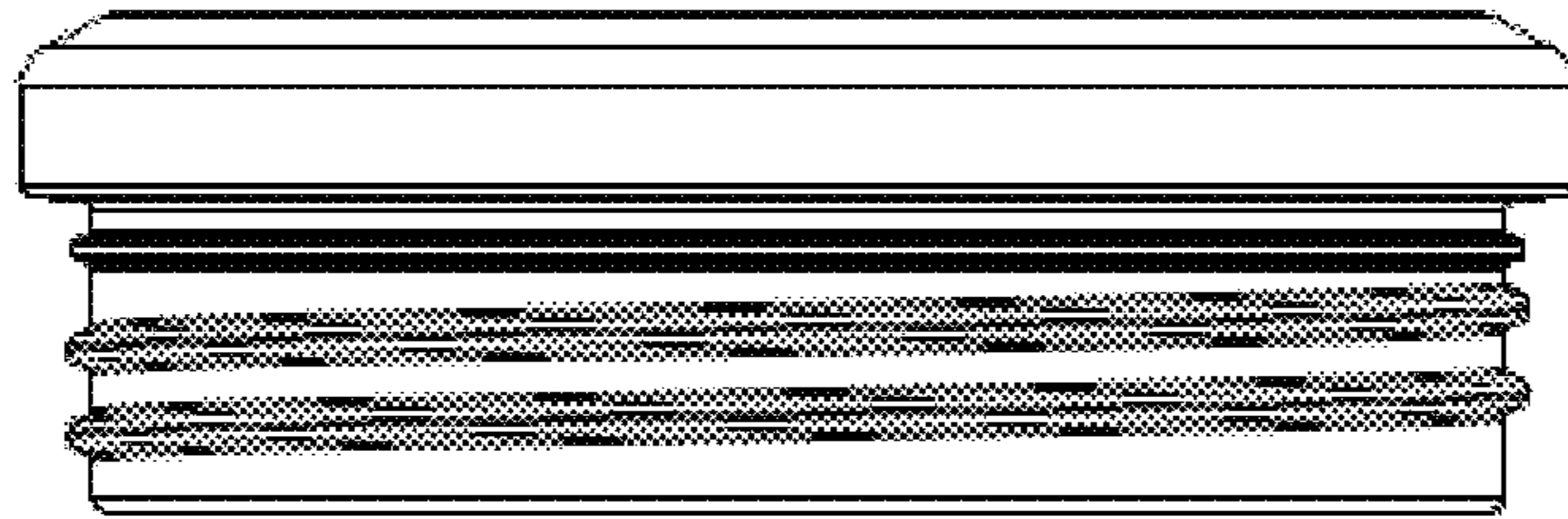


FIG. 2

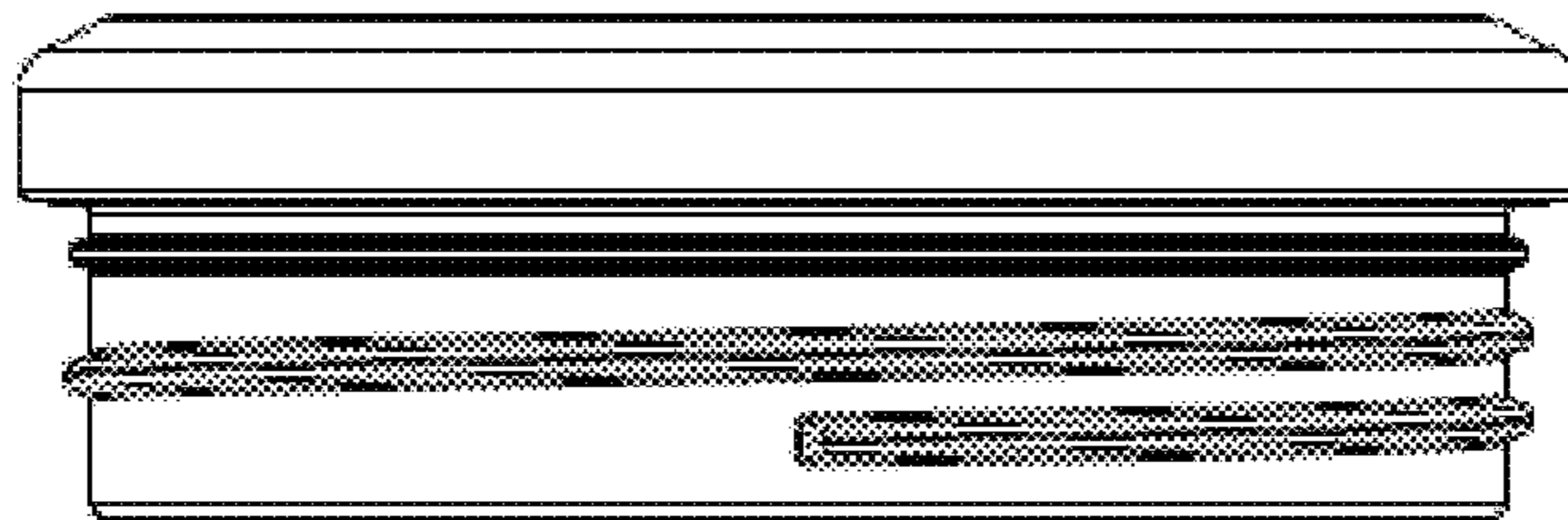


FIG. 3

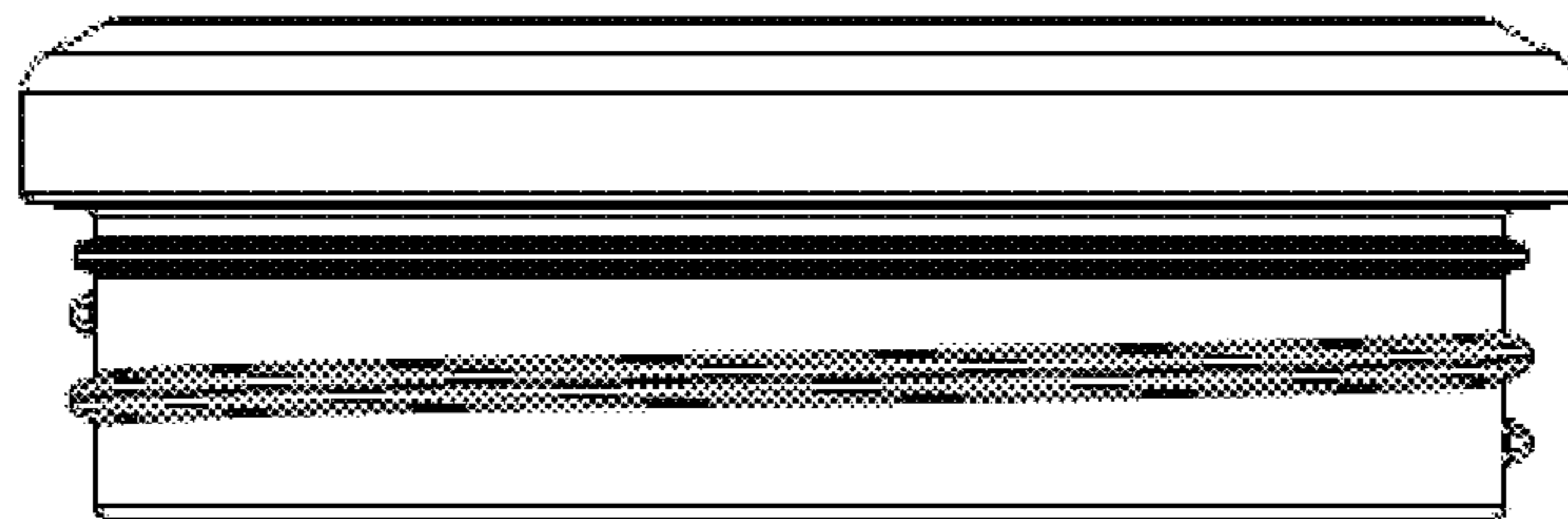


FIG. 4

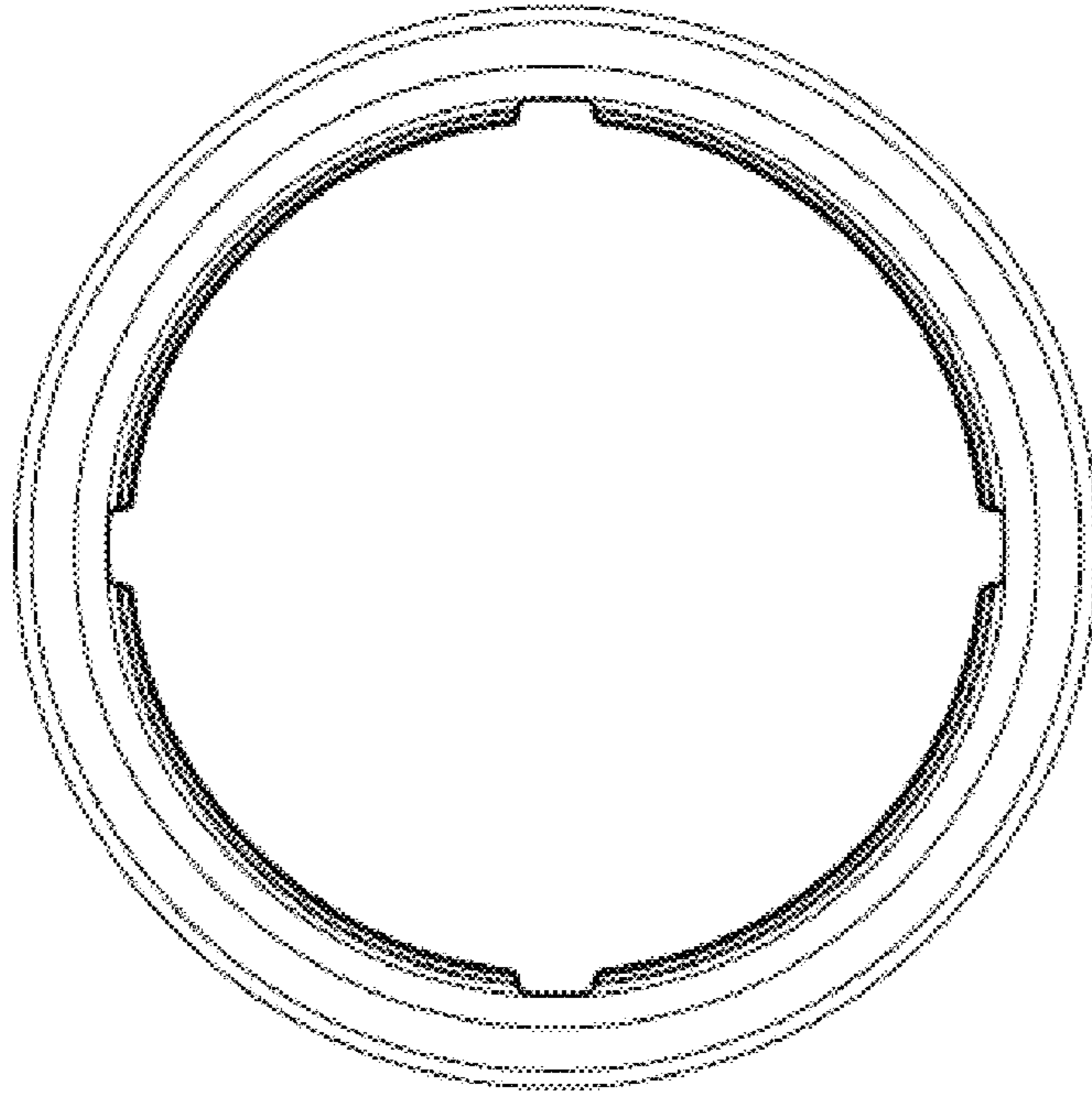


FIG. 5

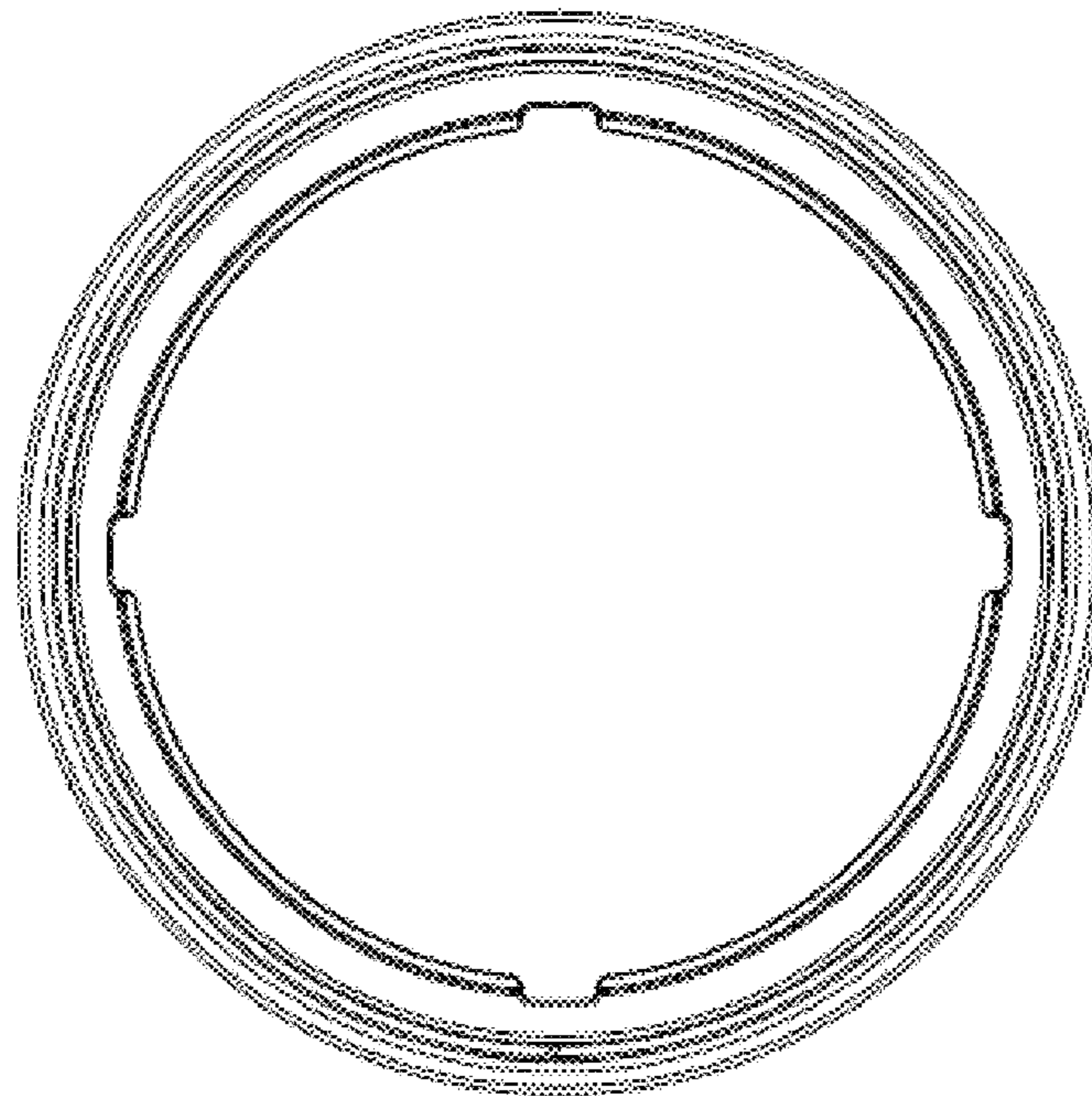


FIG. 6

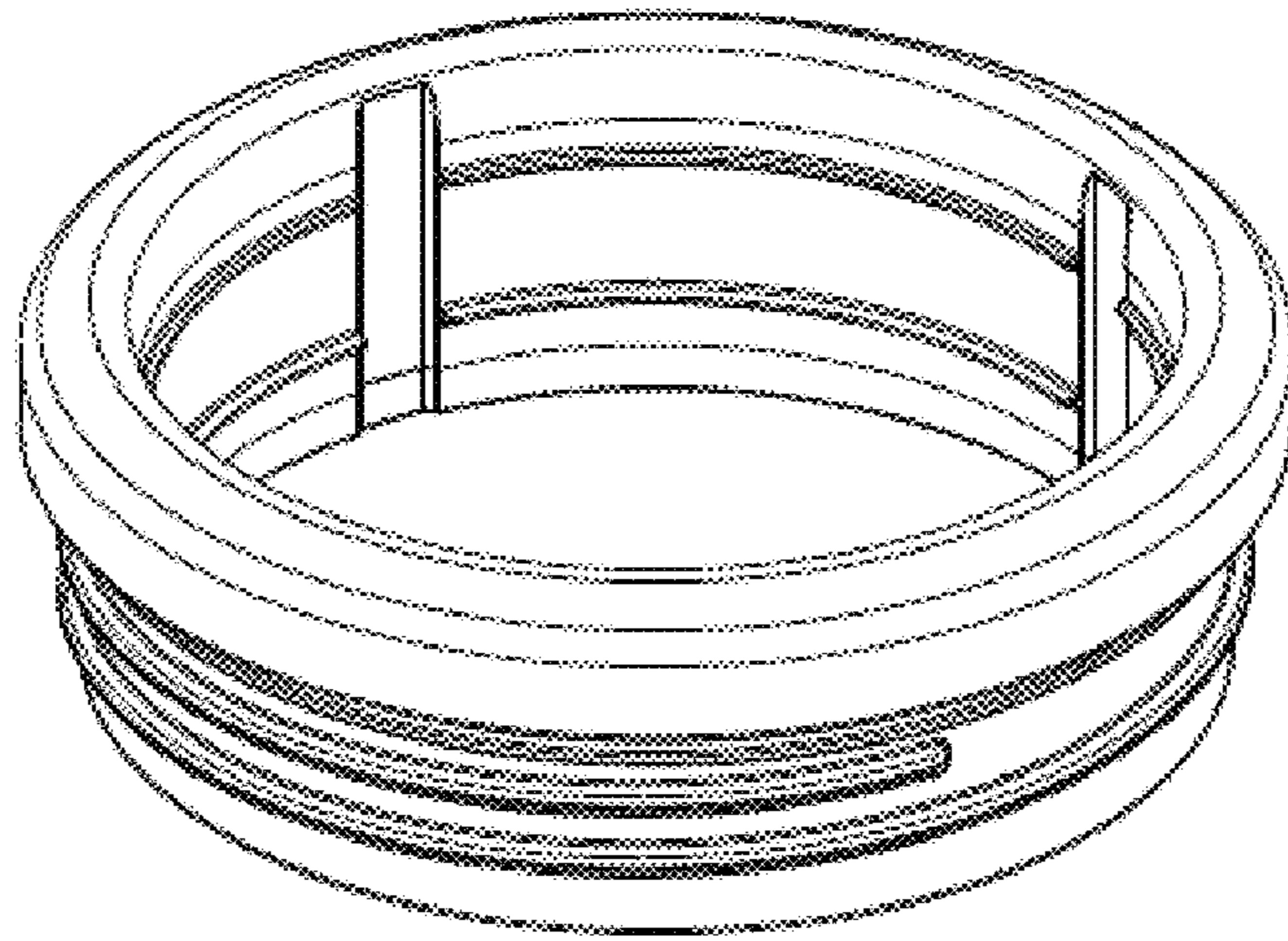


FIG. 7