



US00D935573S

(12) **United States Design Patent**
Cohen

(10) **Patent No.:** **US D935,573 S**
(45) **Date of Patent:** **** Nov. 9, 2021**

(54) **SEDIMENT DRAIN BASKET ASSEMBLY**

(71) Applicant: **TNT Products, Inc.**, Simi Valley, CA
(US)

(72) Inventor: **Todd Russell Cohen**, Simi Valley, CA
(US)

(73) Assignee: **TNT Products, Inc.**, Simi Valley, CA
(US)

(**) Term: **15 Years**

(21) Appl. No.: **29/717,572**

(22) Filed: **Dec. 18, 2019**

(51) **LOC (13) Cl.** **23-01**

(52) **U.S. Cl.**
USPC **D23/261**

(58) **Field of Classification Search**
USPC 210/162–166, 499, 464, 482, 167.1,
210/167.12, 167.15; D23/259–261, 206,
D23/208–209, 365, 267–268; D7/300.1,
D7/369, 400, 667; 4/256.1, 286–295,
4/679, 688–689, 507–508, 510, 513;
137/247.33, 545–547; D9/435–436, 447;
D27/194; D30/128, 132; 47/14, 61;
D32/55; D25/152, 156; 52/12–13, 101
CPC E03C 1/12; E04H 4/1272; A01G 3/02;
B65D 43/0231; E03F 2005/068
See application file for complete search history.

(56) **References Cited**

U.S. PATENT DOCUMENTS

2,701,027 A * 2/1955 Scoville E01C 11/227
210/163
4,423,527 A * 1/1984 Morris E03F 5/0407
4/288
RE31,561 E * 4/1984 Thompson E03C 1/26
4/286
6,108,828 A * 8/2000 Cheng A47K 1/14
4/286

6,537,448 B2 * 3/2003 Houk B01D 29/58
210/164
D550,805 S * 9/2007 Hazlehurst D23/209
D673,246 S * 12/2012 Lee D23/260

(Continued)

OTHER PUBLICATIONS

Guardian Drain Lock Duo 2 in 1 Basket 2 Piece Commercial Floor Sink Sediment Strainer; Guardian lock.com; Visited Online Sep. 21, 2021; <https://guardiandrainlock.com/collections/frontpage/products/guardian-drain-lock-duo-2-in-1-basket> (Year: 2021).*

(Continued)

Primary Examiner — Amy C Wierenga

(74) *Attorney, Agent, or Firm* — Gregory B. Wood

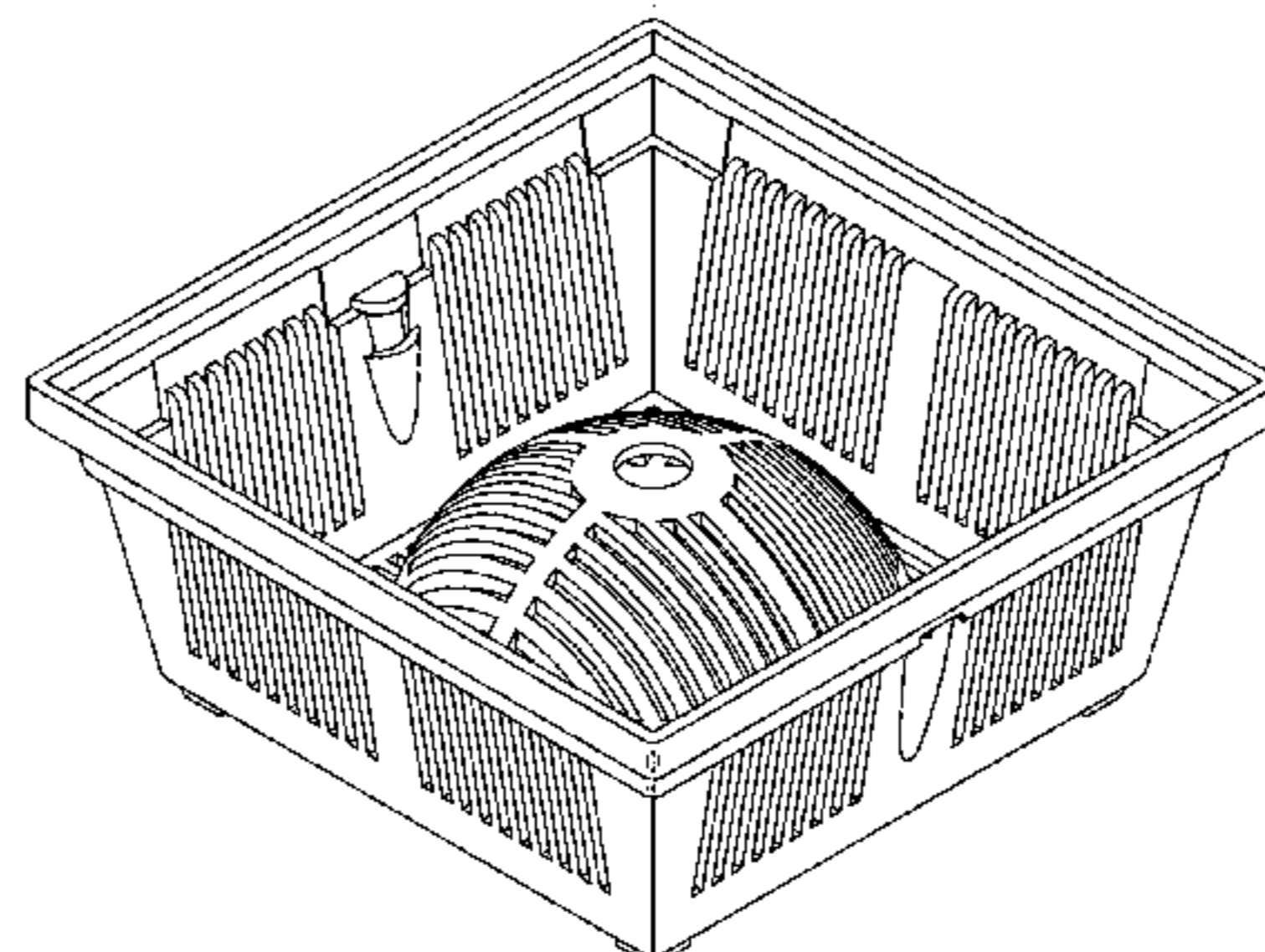
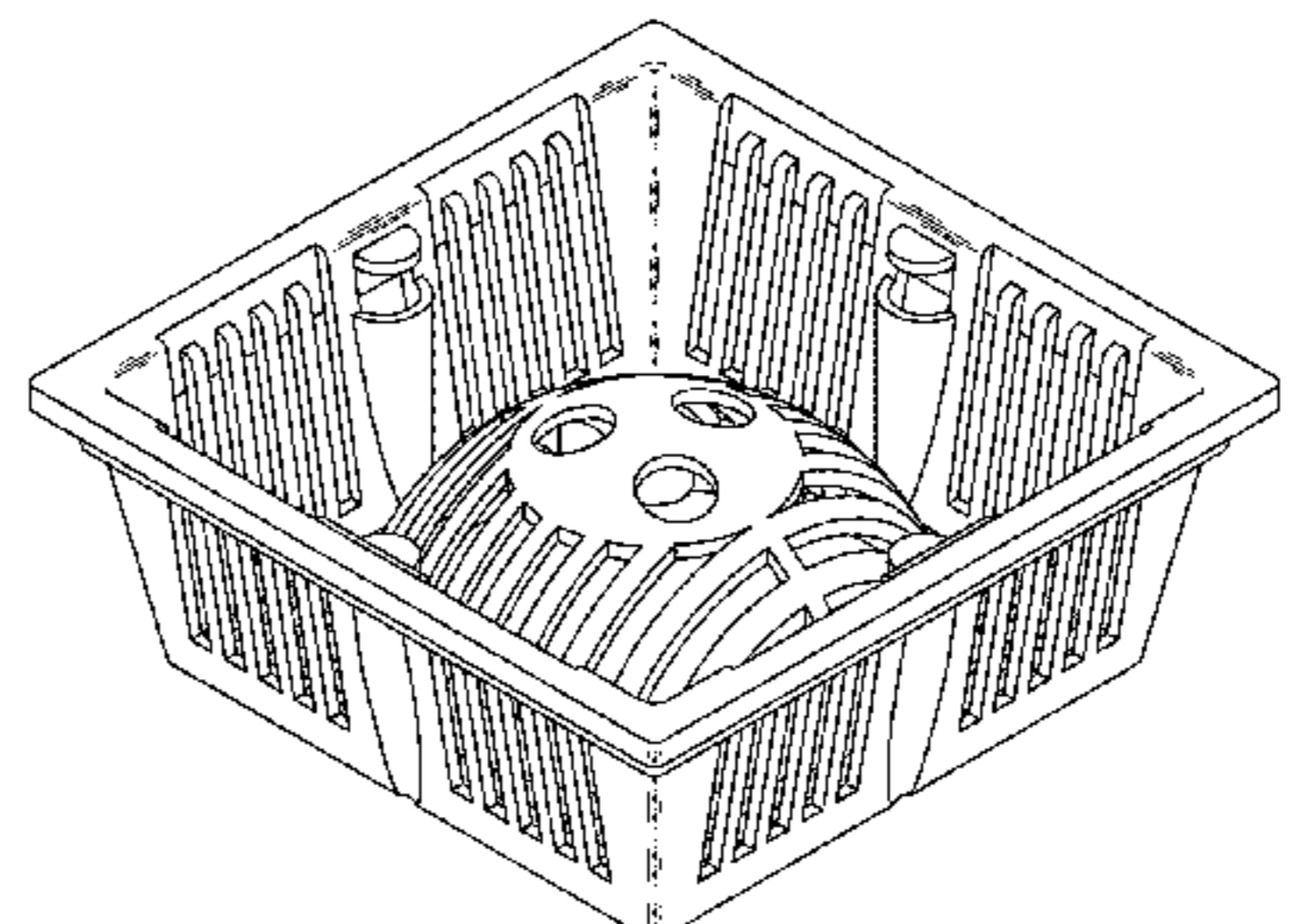
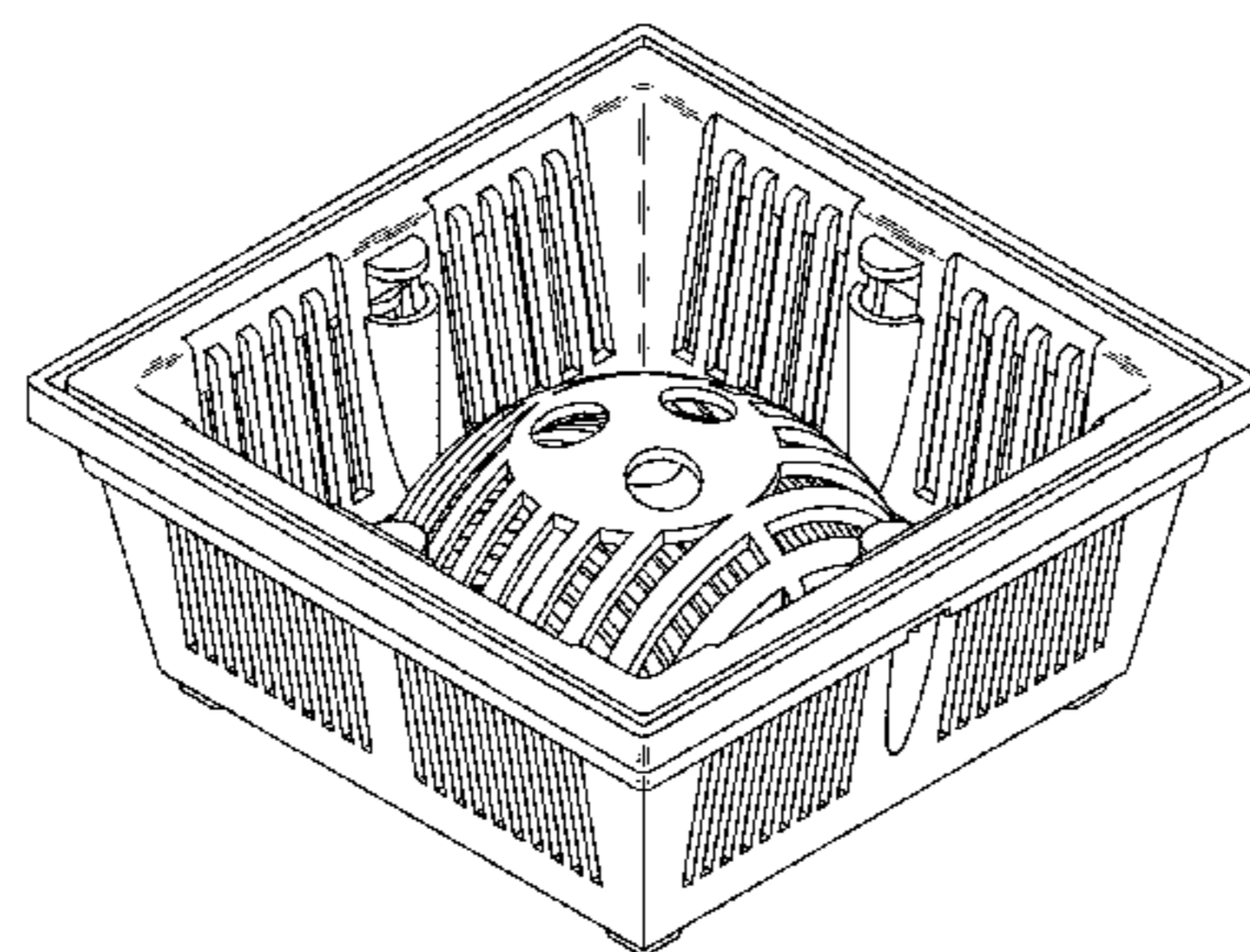
(57) **CLAIM**

The ornamental design for a sediment drain basket assembly, as shown and described.

DESCRIPTION

FIG. 1 is a perspective view of a sediment drain basket assembly.
FIG. 2 is a front side view thereof.
FIG. 3 is a top view thereof.
FIG. 4 is a bottom view thereof.
FIG. 5 is a right side view thereof.
FIG. 6 is a left side view thereof.
FIG. 7 is a rear side view thereof.
FIG. 8 is an exploded top perspective view of an inner and outer members of the sediment drain basket assembly.
FIG. 9 is an exploded bottom perspective view of the inner and outer members of the sediment drain basket assembly.
FIG. 10 is an exploded from view of the sediment drain basket assembly; and,
FIG. 11 is an exploded side view of the sediment drain basket assembly.

1 Claim, 9 Drawing Sheets



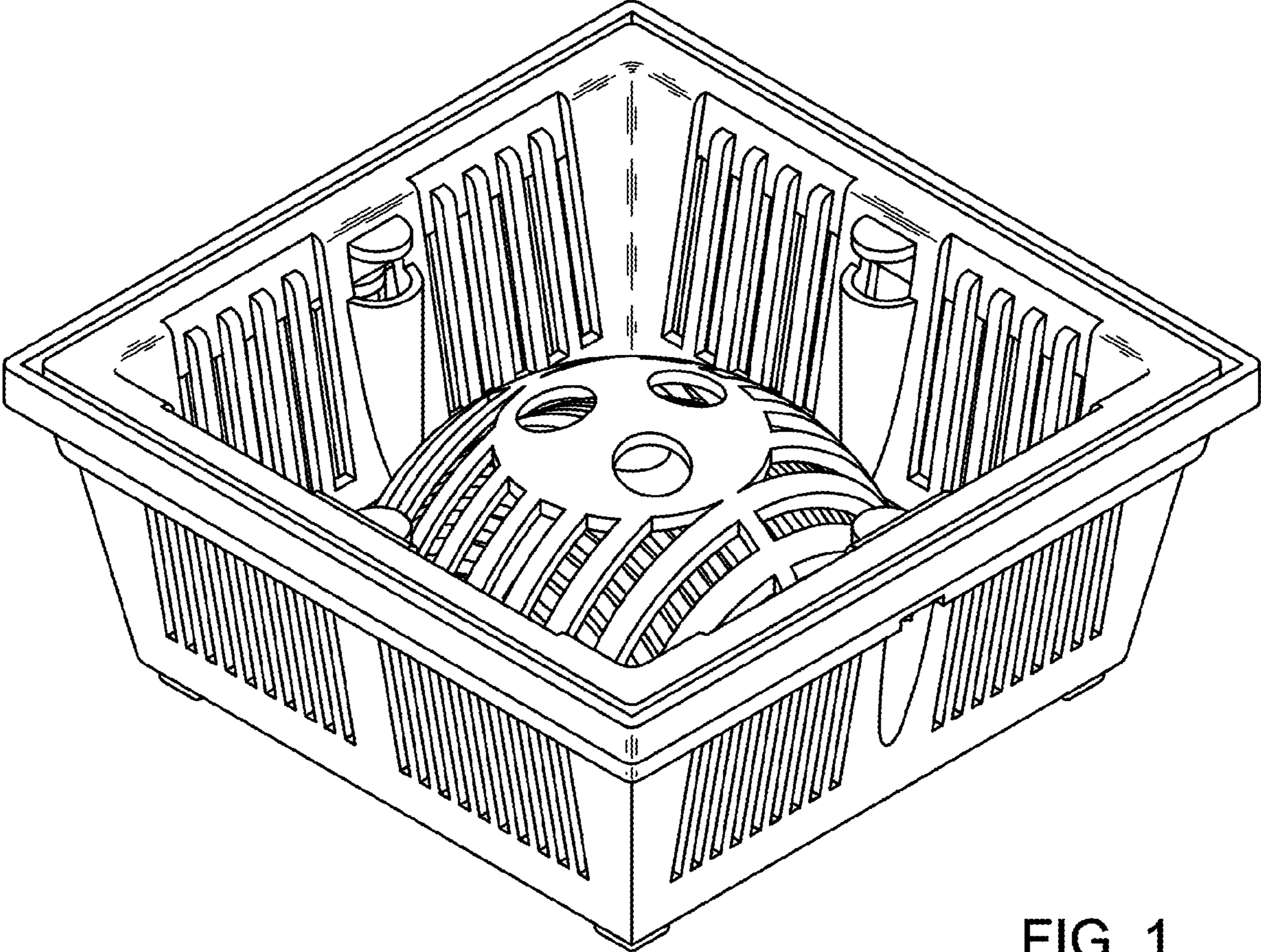


FIG. 1

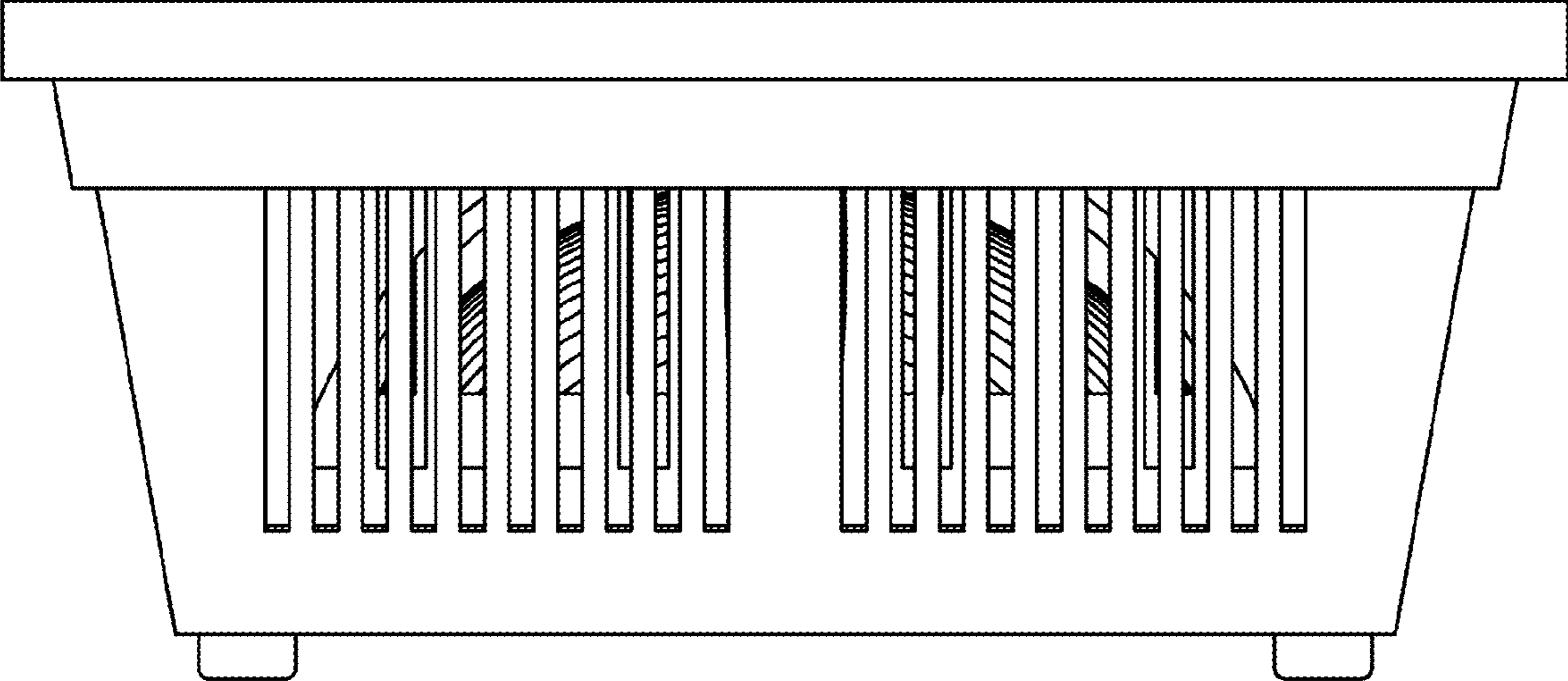


FIG. 2

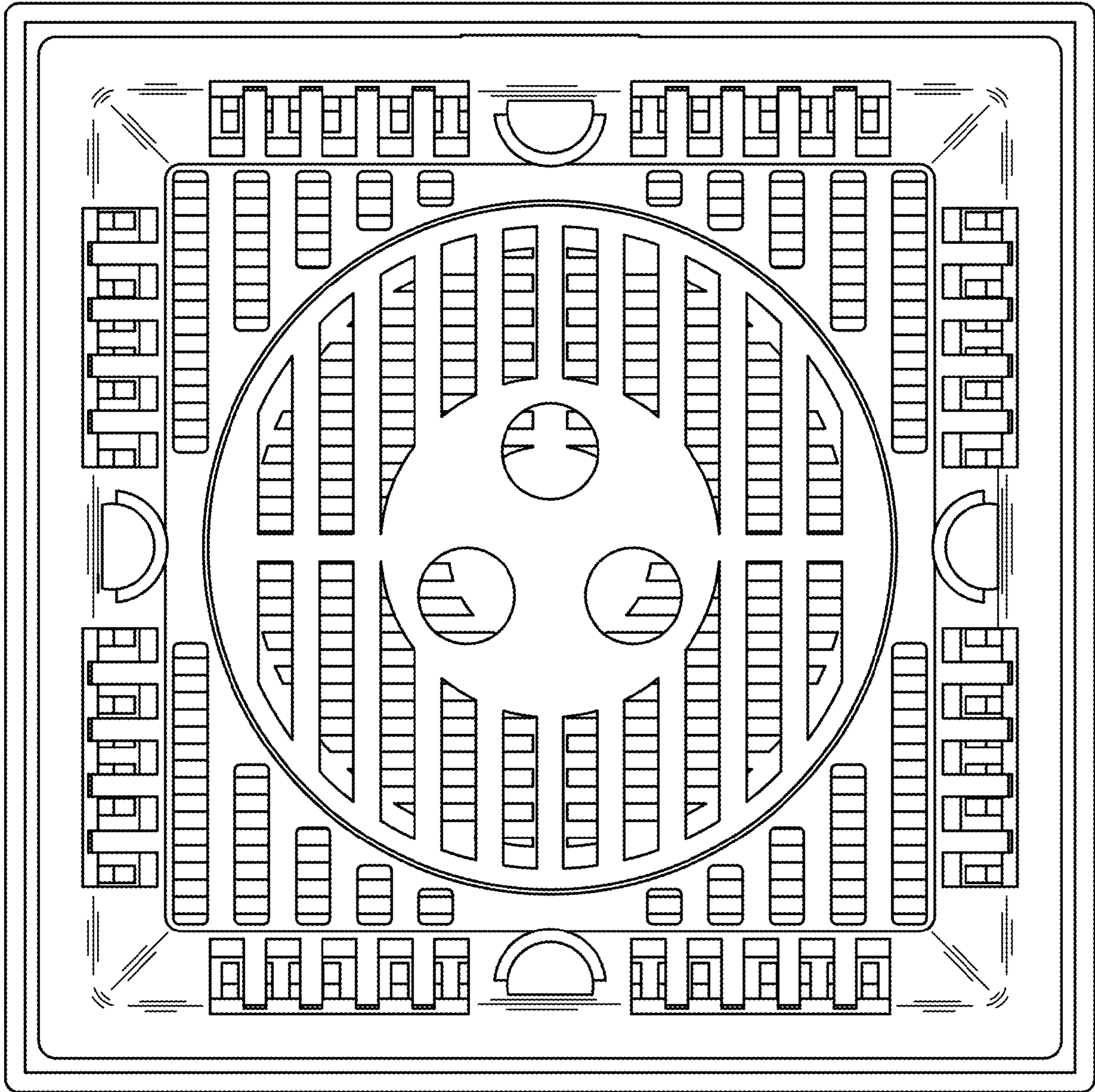


FIG. 3

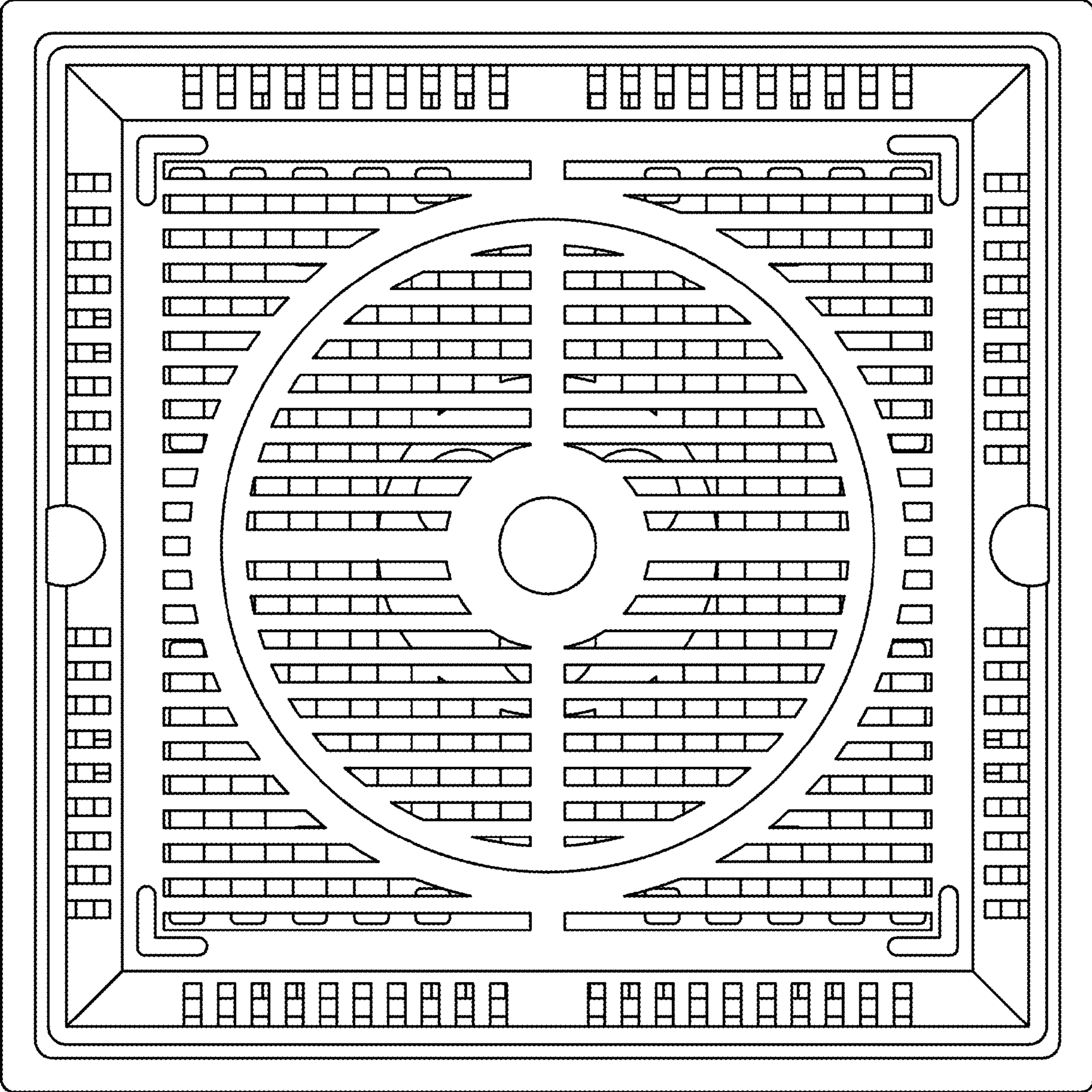


FIG. 4

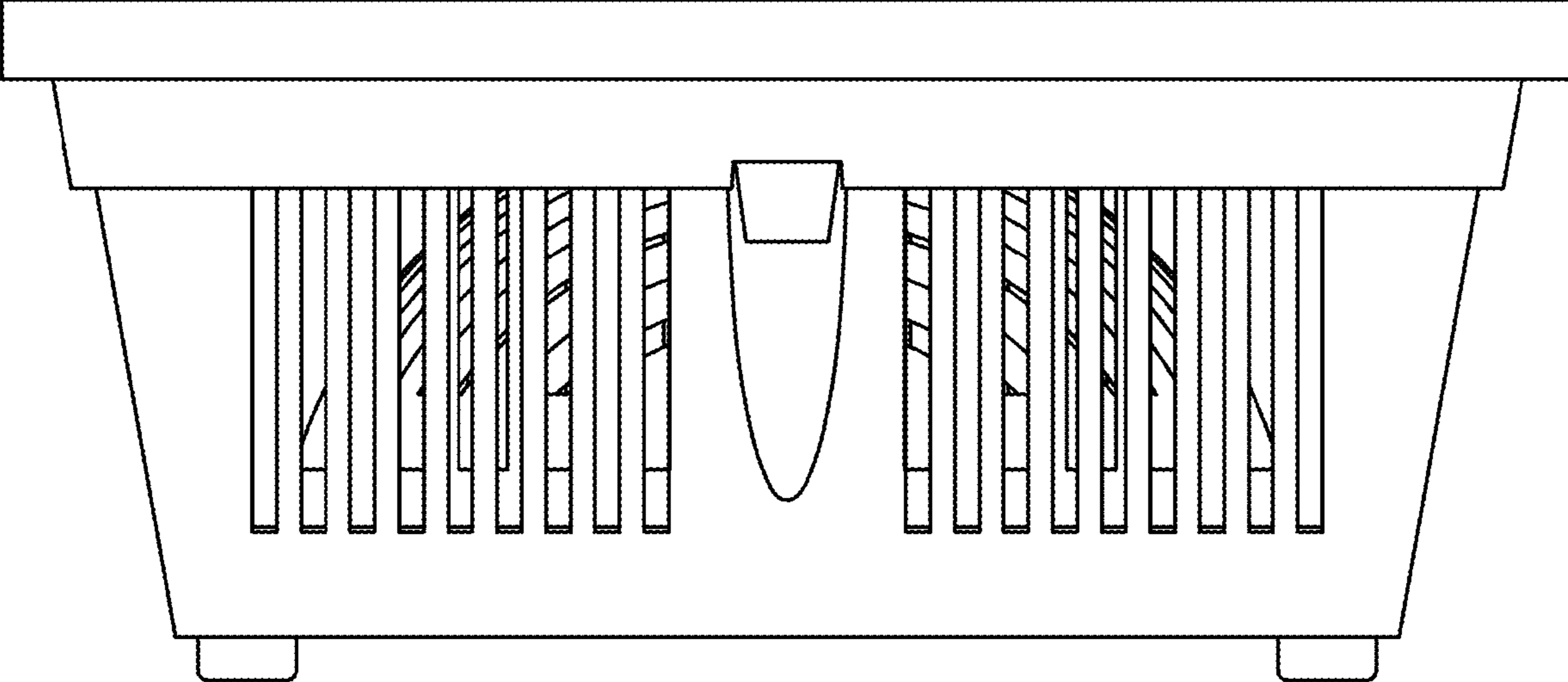


FIG. 5

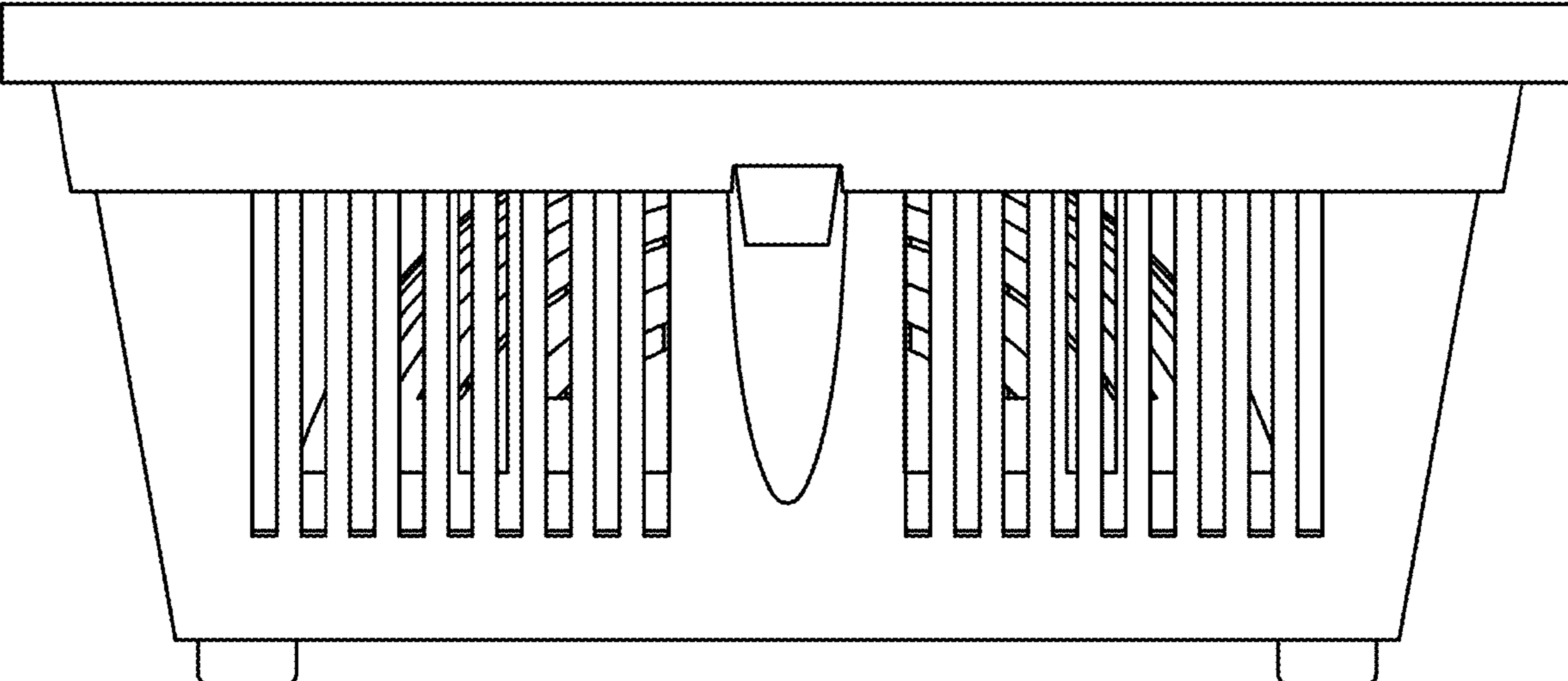


FIG. 6

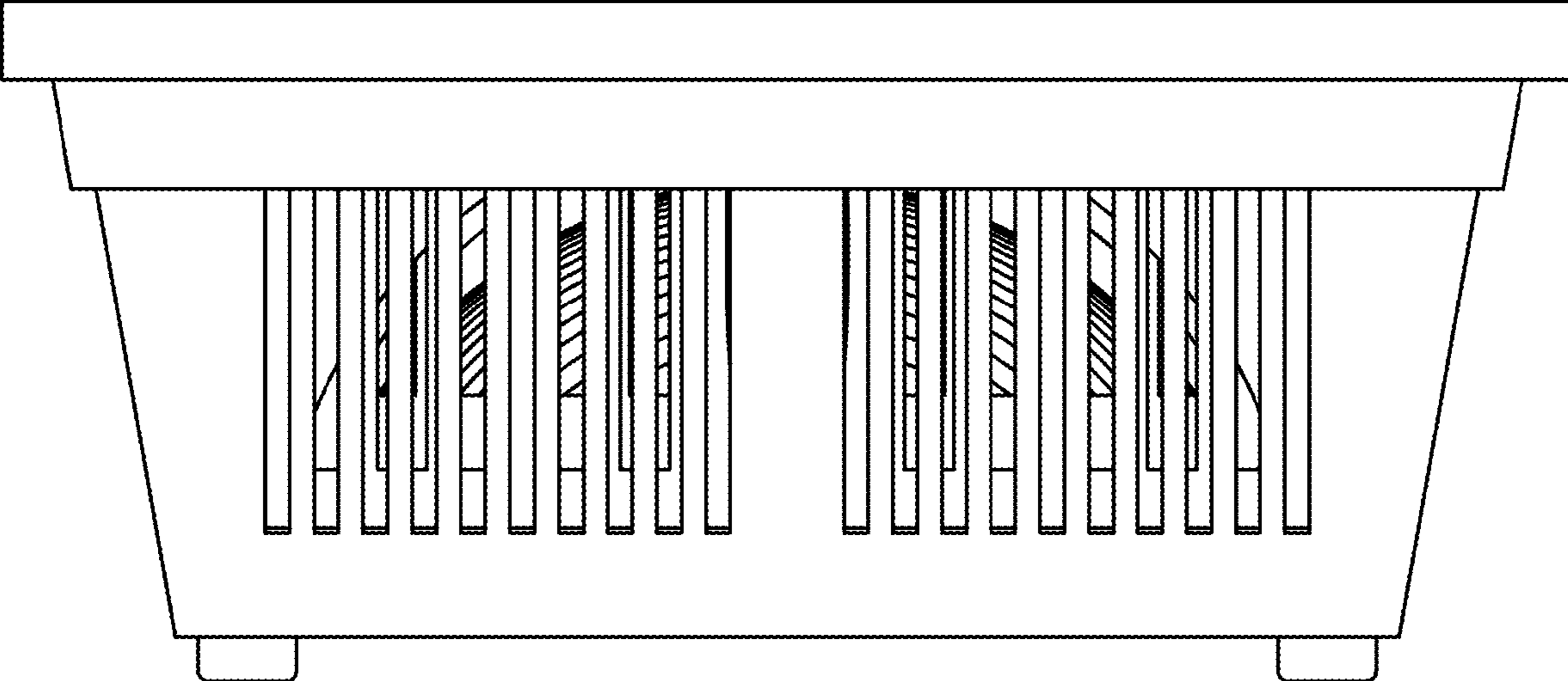


FIG. 7

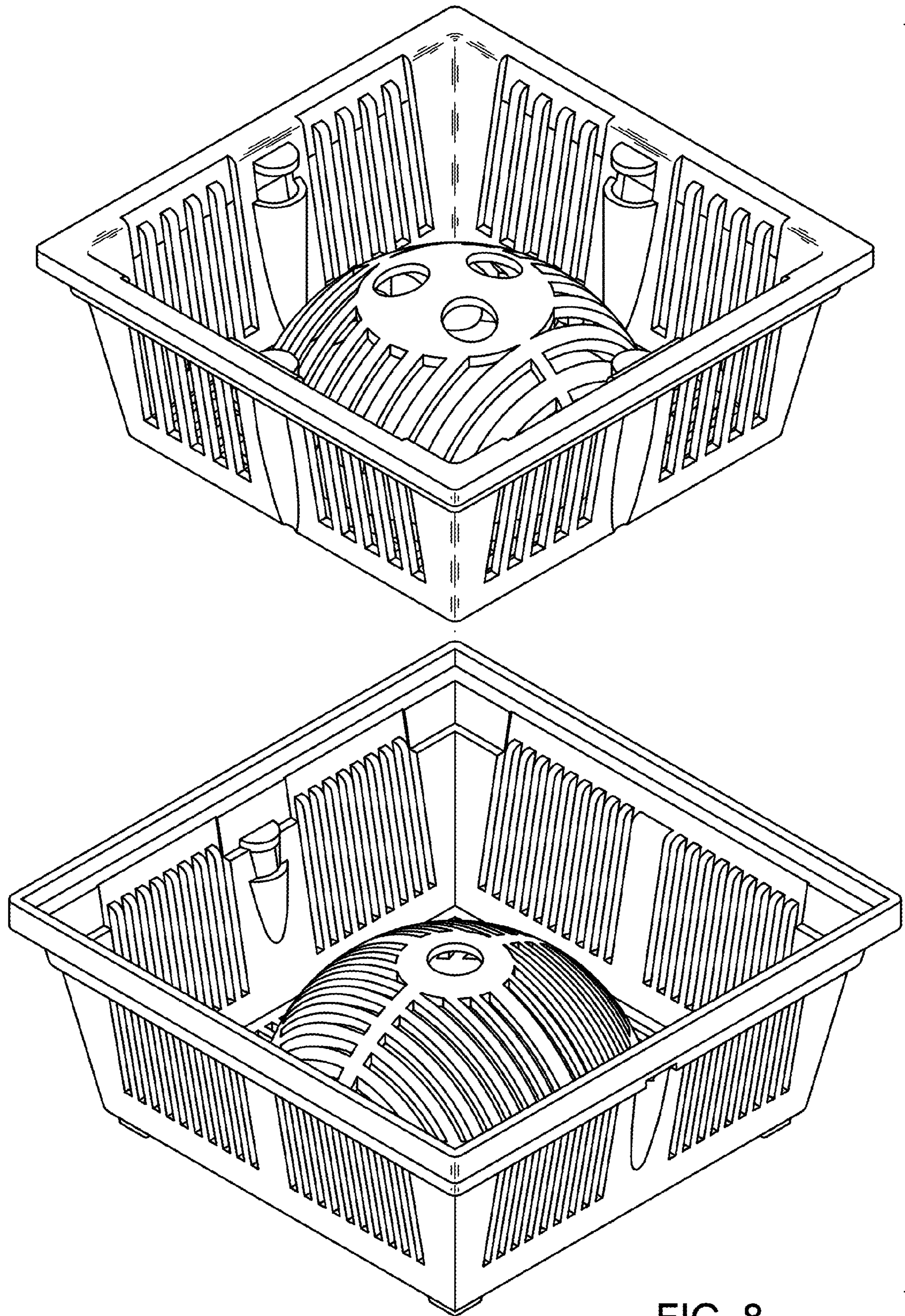


FIG. 8

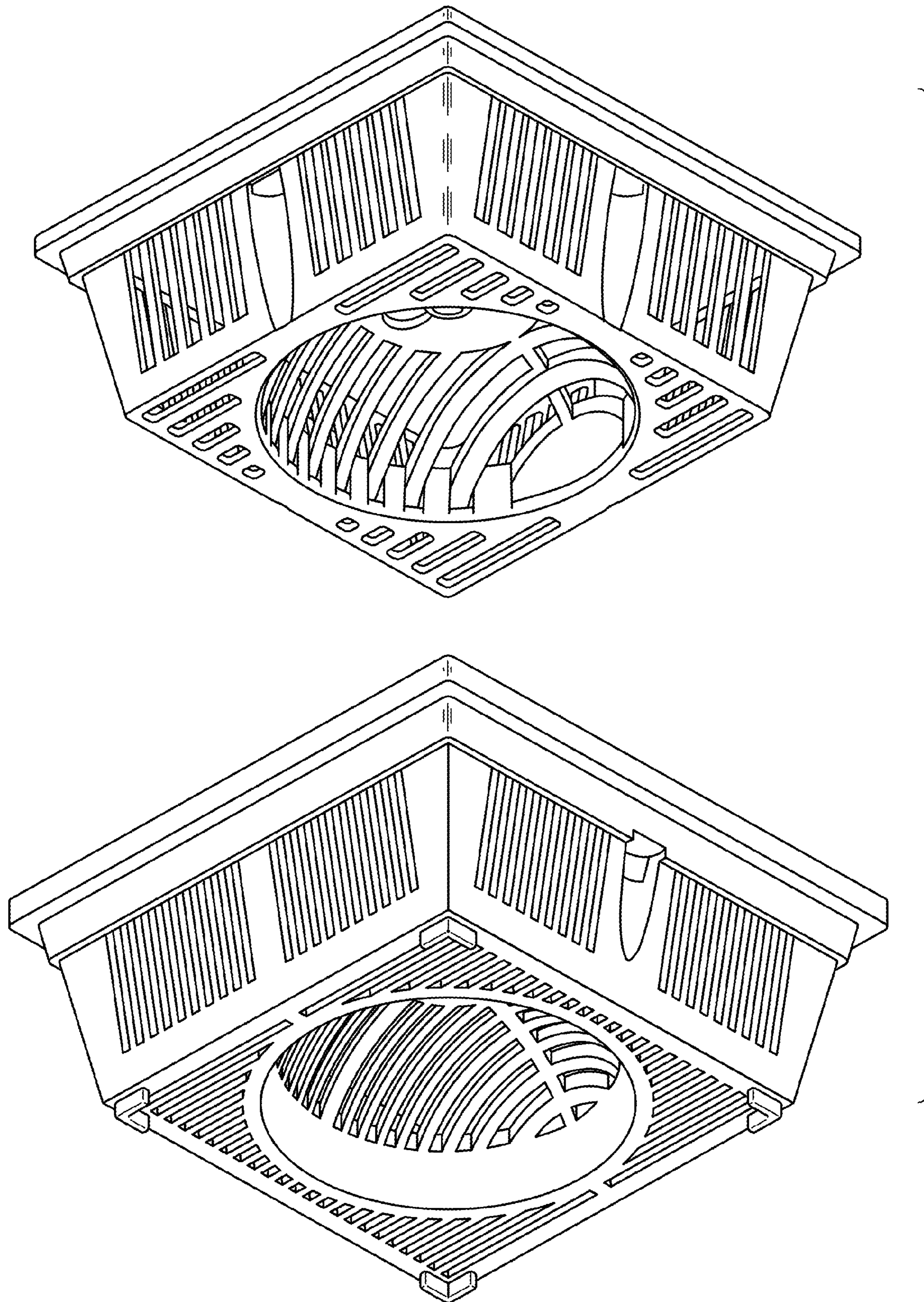


FIG. 9

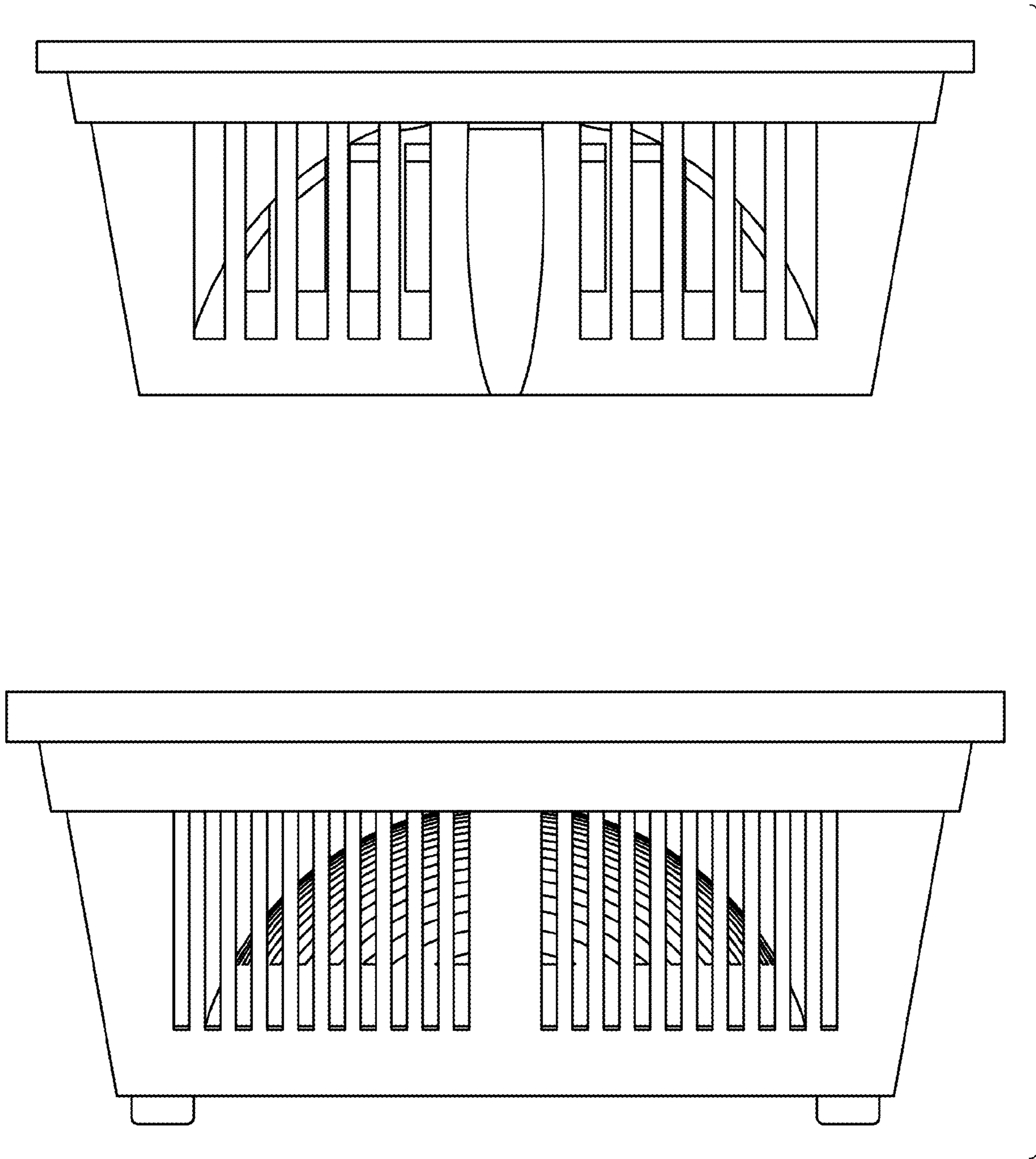


FIG. 10

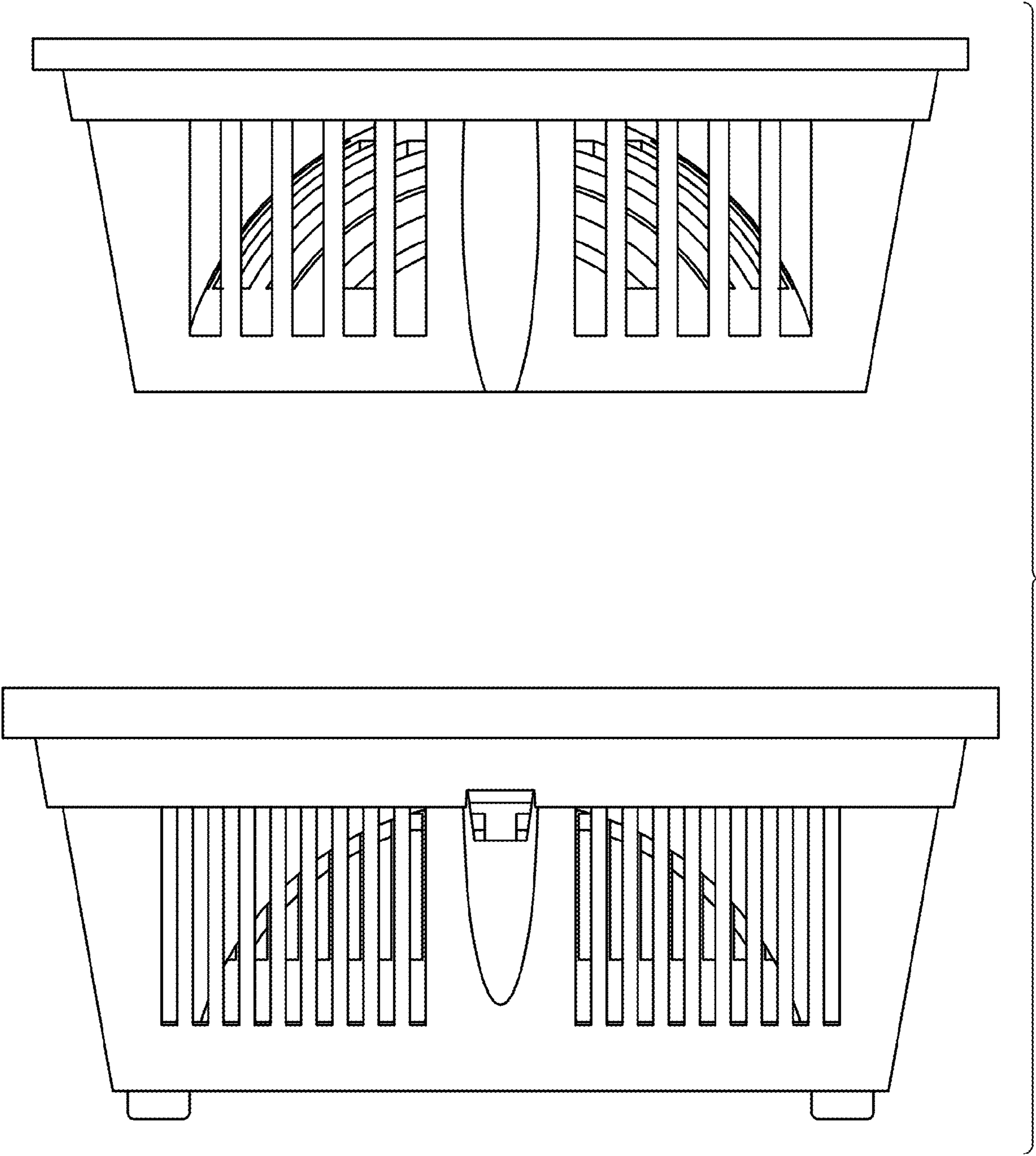


FIG. 11