



US00D935571S

(12) **United States Design Patent** (10) **Patent No.:** **US D935,571 S**
Luo (45) **Date of Patent:** **** *Nov. 9, 2021**

(54) **SINK FILTER DEVICE** 6,108,828 A * 8/2000 Cheng A47K 1/14
4/286

(71) Applicant: **Taizhou Luobang Sanitary Ware MFG Co., Ltd., Zhejiang (CN)** D517,664 S * 3/2006 Hill D23/261
7,013,500 B1 * 3/2006 Lin E03C 1/262
4/287

(72) Inventor: **Changfu Luo, Zhejiang (CN)** D725,751 S * 3/2015 Luo D23/260
D728,077 S * 4/2015 Luo D23/260
D745,642 S * 12/2015 Luo D23/260

(73) Assignee: **TAIZHOU LUOBANG SANITARY WARE MFG CO., LTD., Zhejiang (CN)** 2003/0182721 A1 * 10/2003 Li E03C 1/262
4/287
2007/0180602 A1 * 8/2007 Lin E03C 1/23
4/287
2014/0053327 A1 * 2/2014 Lee E03C 1/262
4/287
2014/0075662 A1 * 3/2014 Gayoso E03C 1/262
4/287

(*) Notice: This patent is subject to a terminal disclaimer.

(**) Term: **15 Years**

(21) Appl. No.: **29/618,212**

(22) Filed: **Sep. 20, 2017**

(51) **LOC (13) Cl.** **23-01**

(52) **U.S. Cl.**
USPC **D23/260**

(58) **Field of Classification Search**
USPC D23/259-261; 4/679, 681, 489, 496,
4/287; 251/215, 216; 285/58, 291.1,
285/291.2; D7/372, 375, 414, 667-668
CPC ... E03C 1/26; E03C 1/264; E03C 1/28; E03C
1/262
See application file for complete search history.

(56) **References Cited**

U.S. PATENT DOCUMENTS

2,739,317 A * 3/1956 Abresch E03C 1/264
4/679

4,571,751 A * 2/1986 Barlow E03C 1/262
4/288

5,265,281 A * 11/1993 McAlpine E03C 1/262
4/287

* cited by examiner

Primary Examiner — Amy C Wierenga

(74) *Attorney, Agent, or Firm* — Bacon & Thomas, PLLC

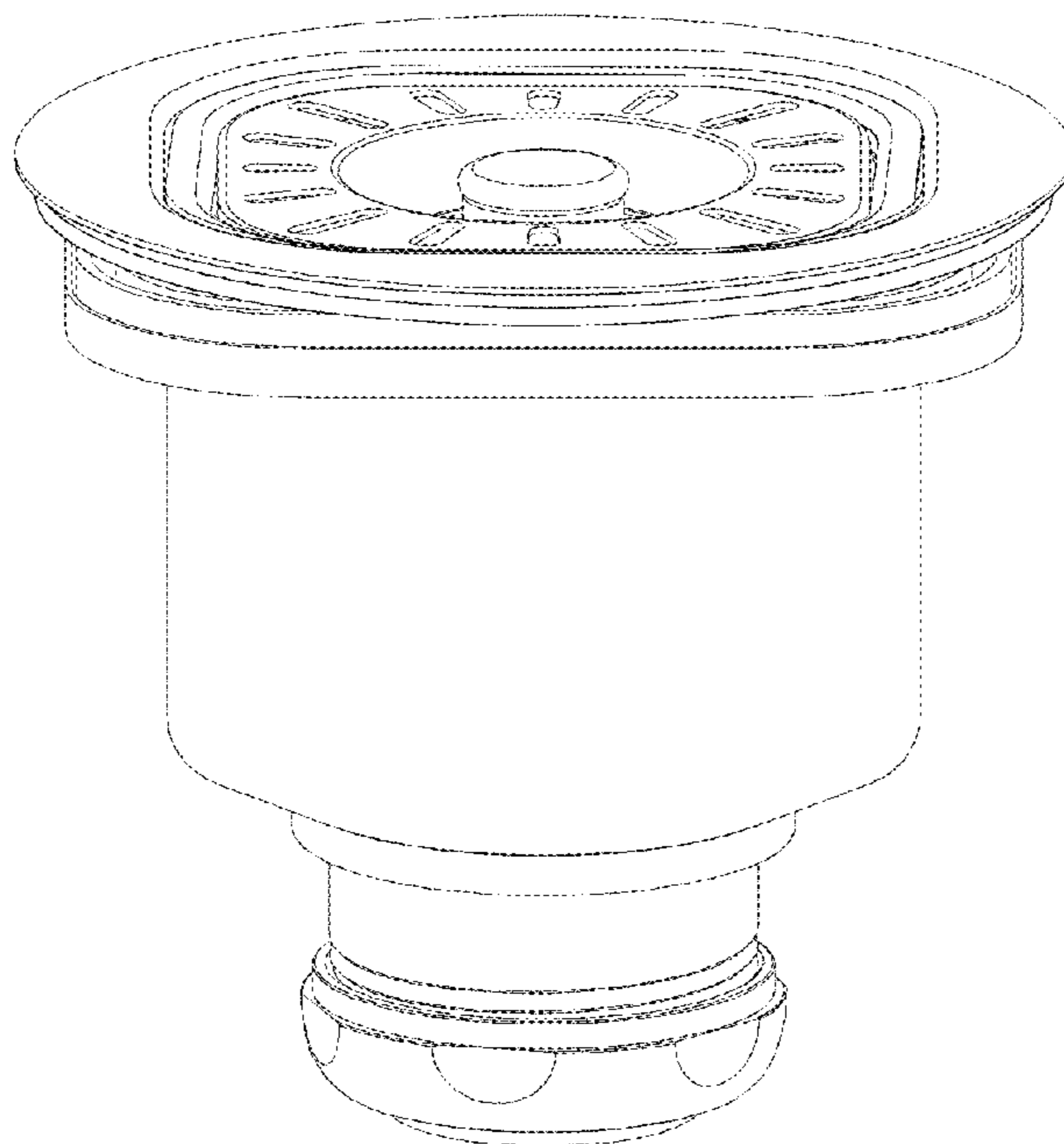
(57) **CLAIM**

The ornamental design for a sink filter device, as shown and described.

DESCRIPTION

FIG. 1 is a front side perspective view of a sink filter device showing my new design;
FIG. 2 is a front elevational view of FIG. 1;
FIG. 3 is a rear elevational view of FIG. 1;
FIG. 4 is a left side elevational view of FIG. 1;
FIG. 5 is a right side elevational view of FIG. 1;
FIG. 6 is a top plan view of FIG. 1;
FIG. 7 is a bottom plan view of FIG. 1; and,
FIG. 8 is another side perspective view of FIG. 1.
The dashed broken lines depict portions of the sink filter device that form no part of the claim.

1 Claim, 5 Drawing Sheets



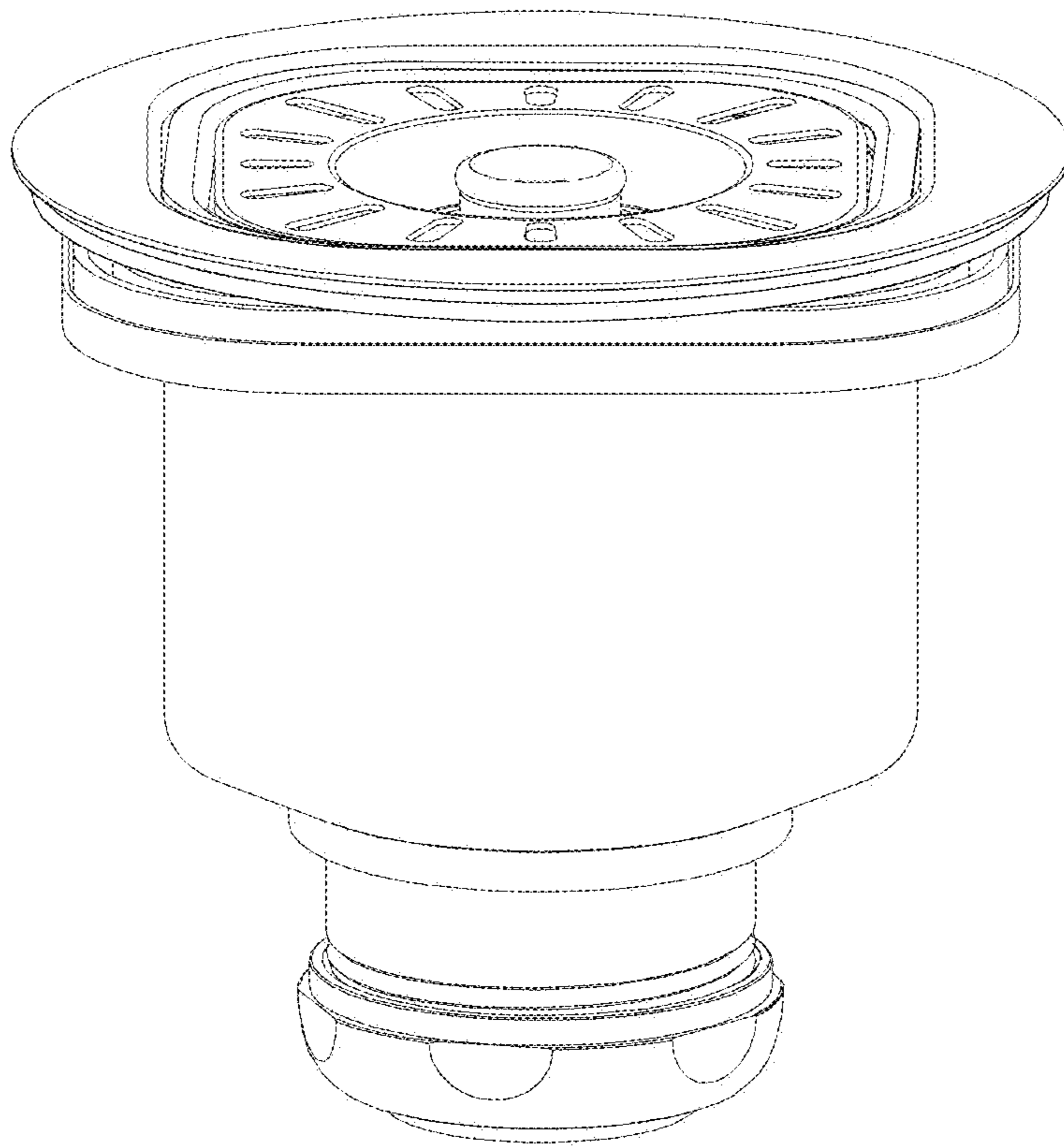


Fig. 1

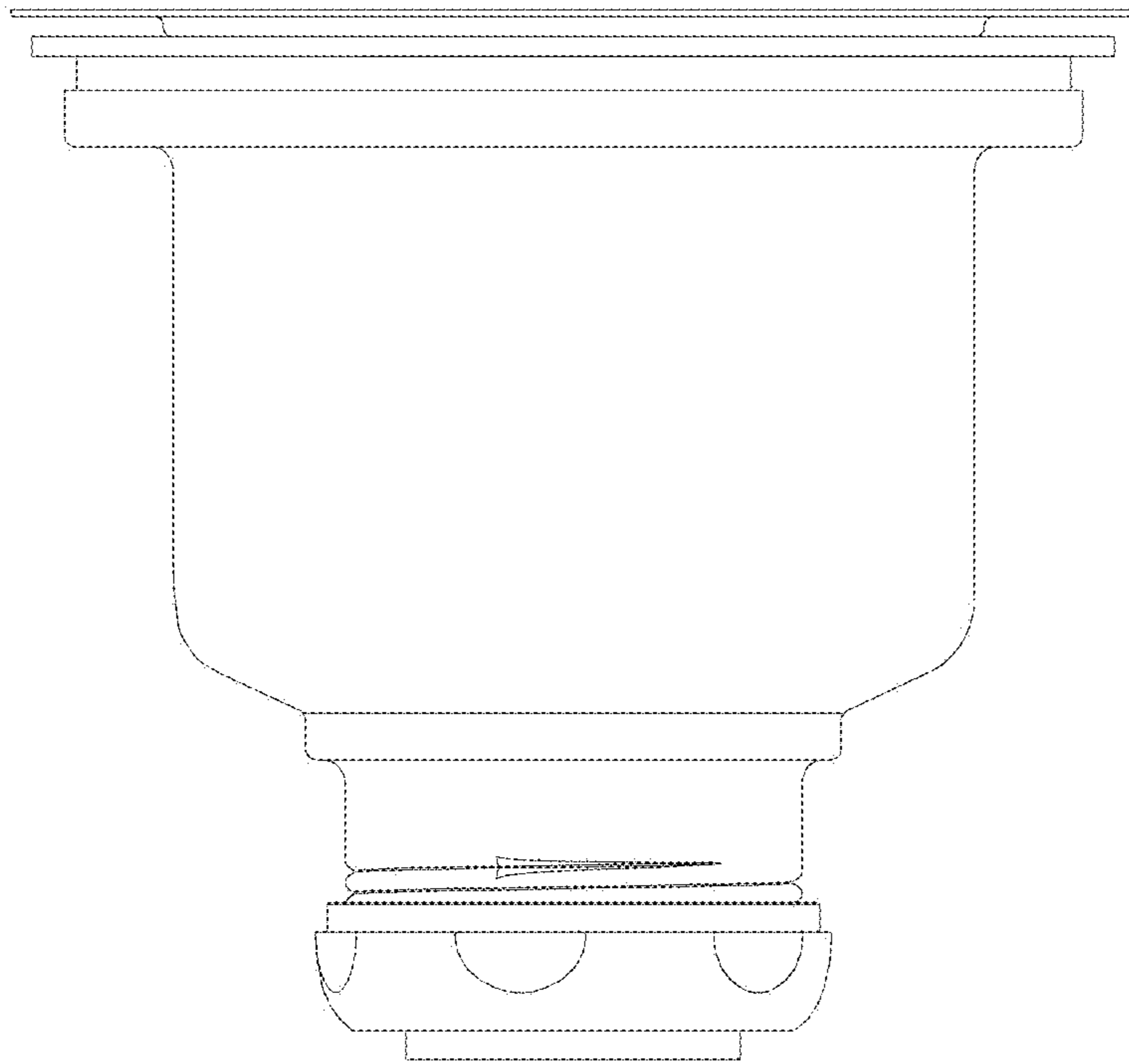


Fig. 2

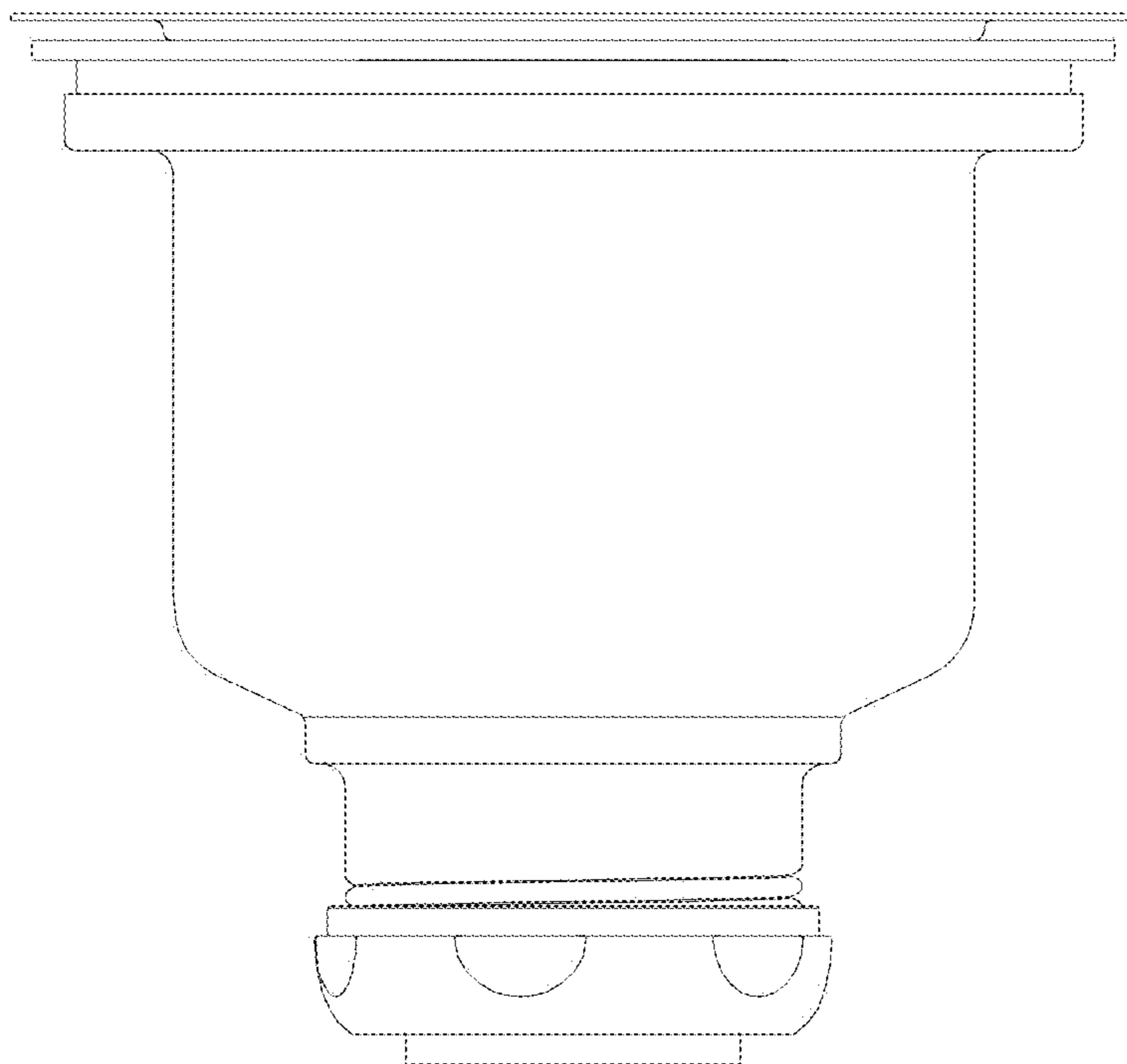


Fig. 3

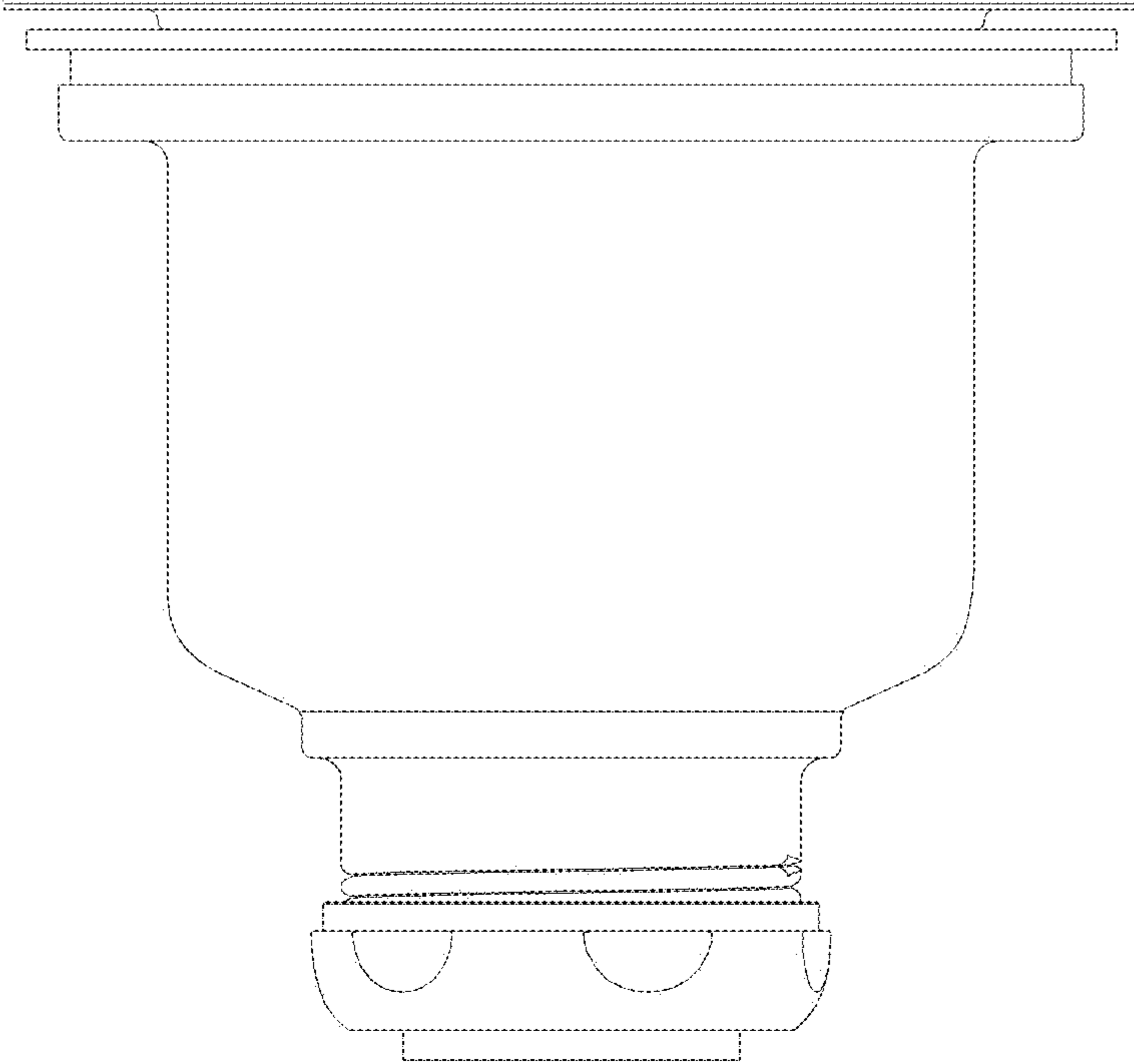


Fig. 4

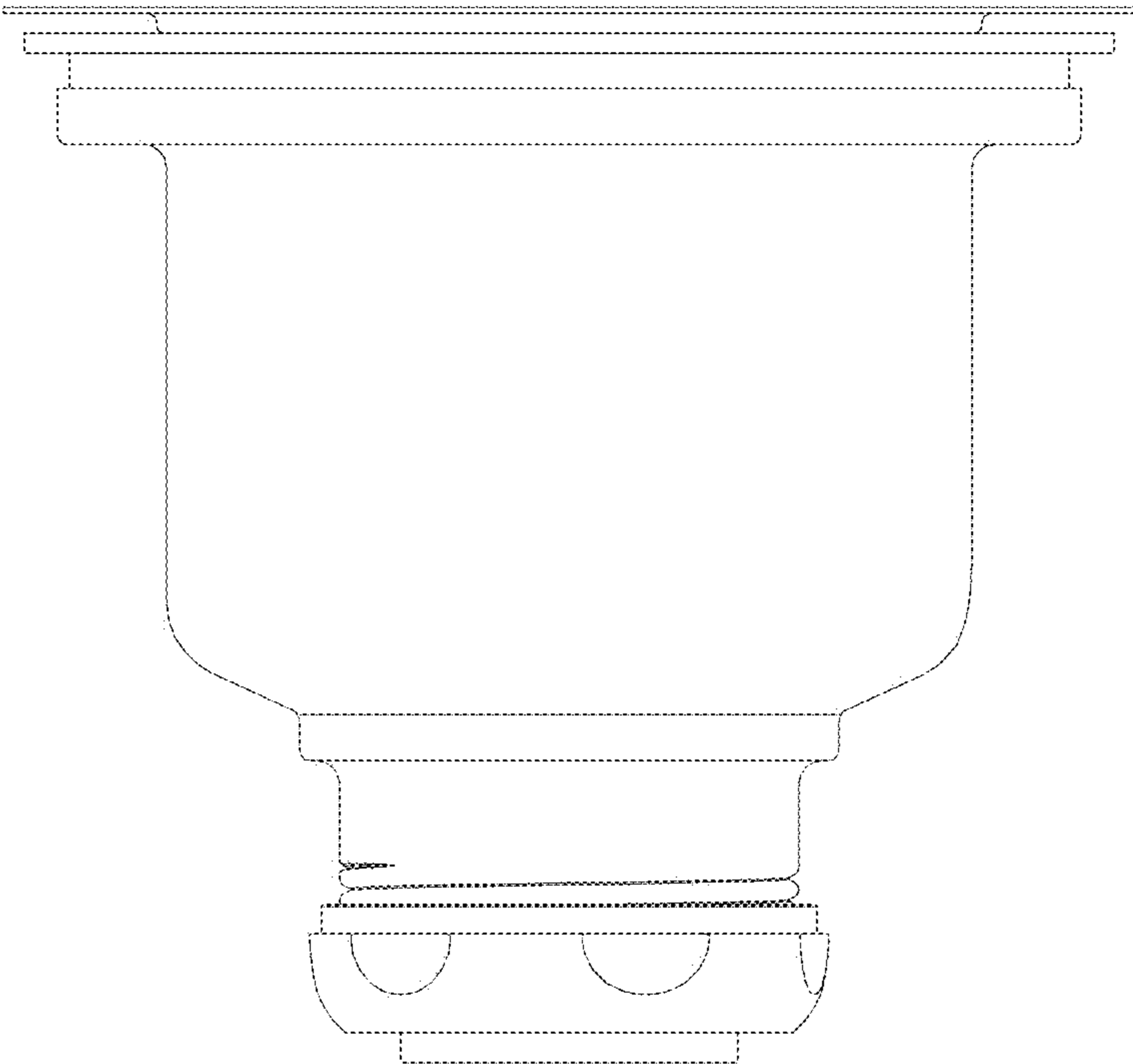


Fig. 5

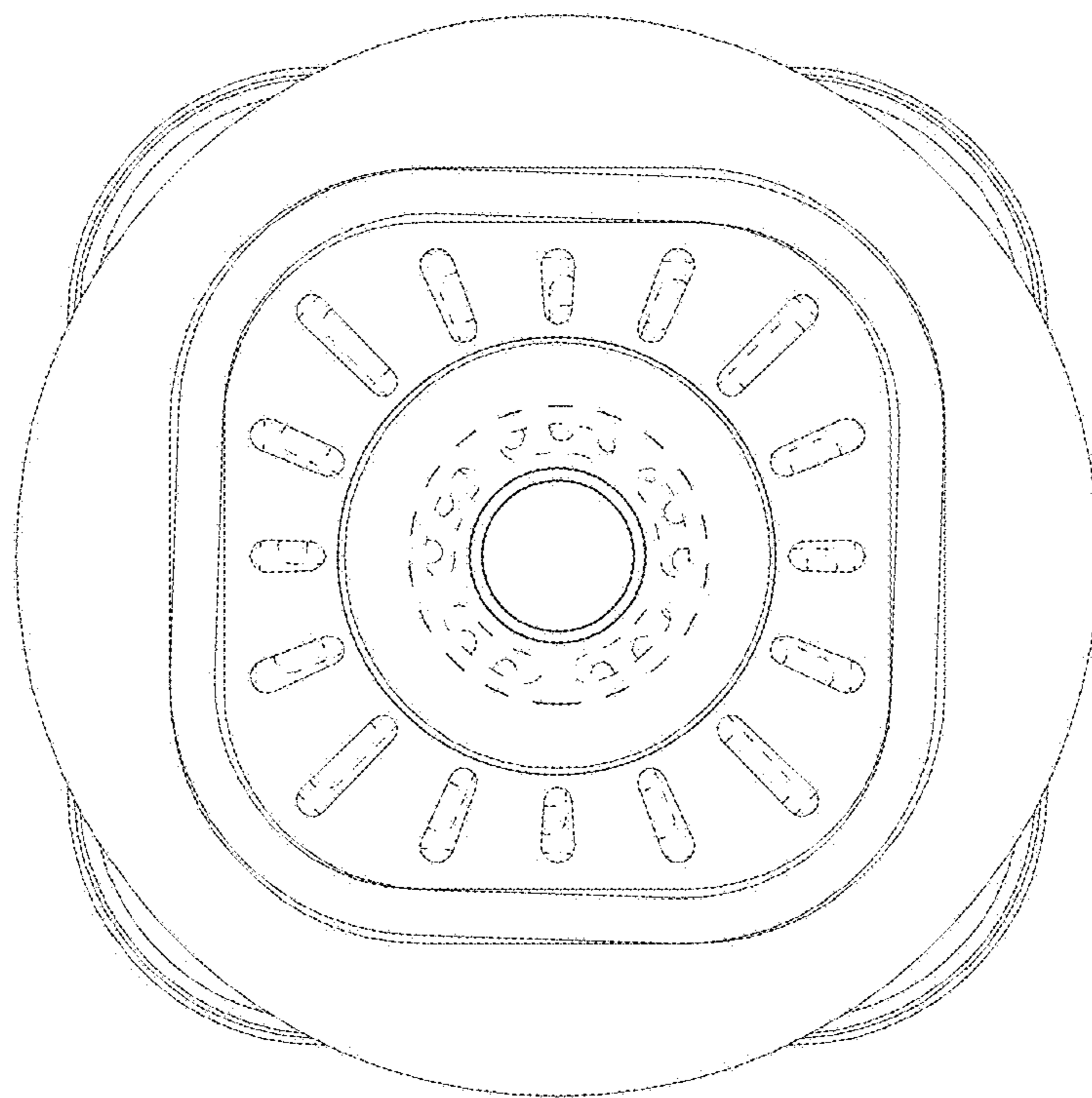


Fig. 6

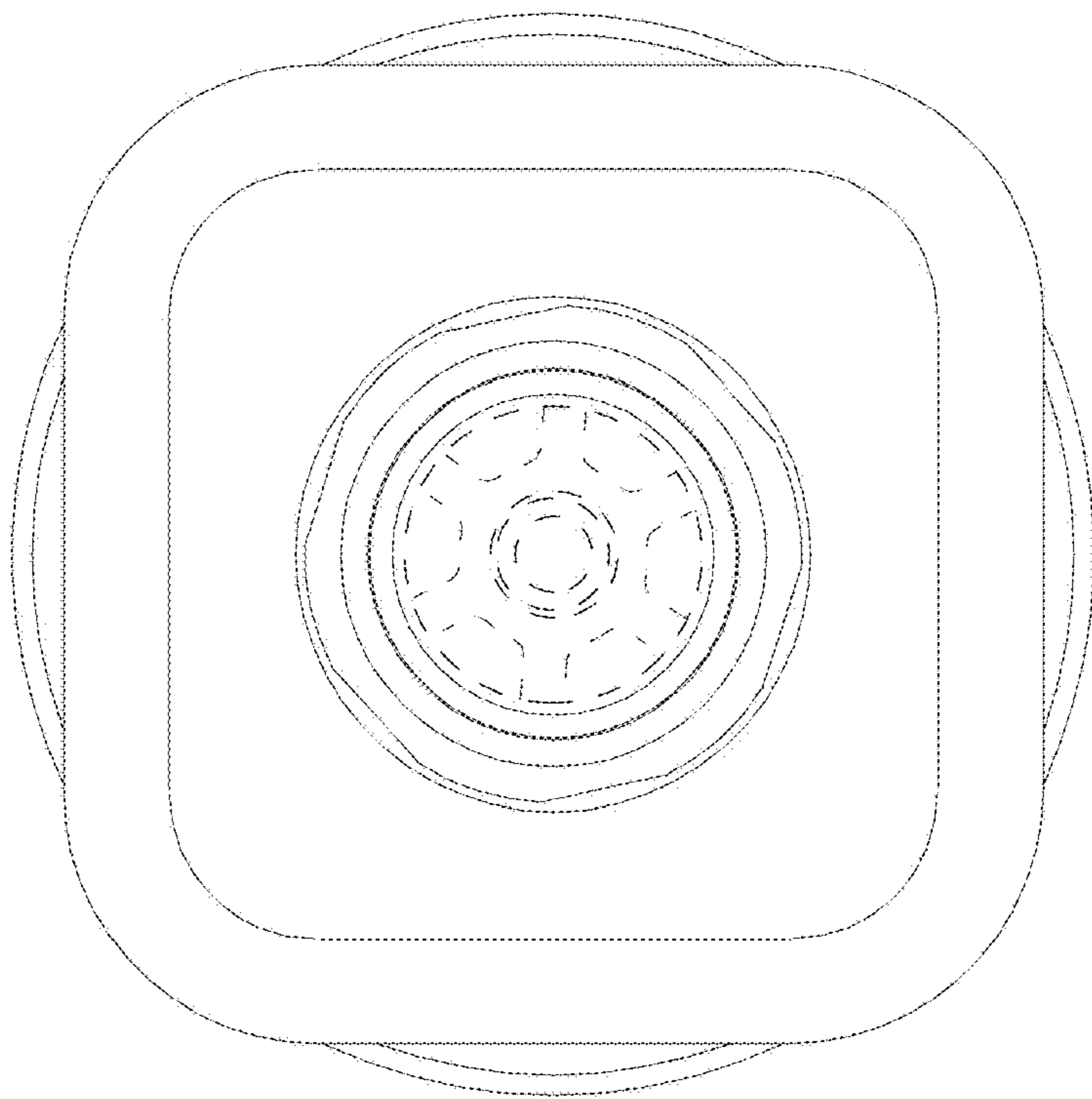


Fig. 7

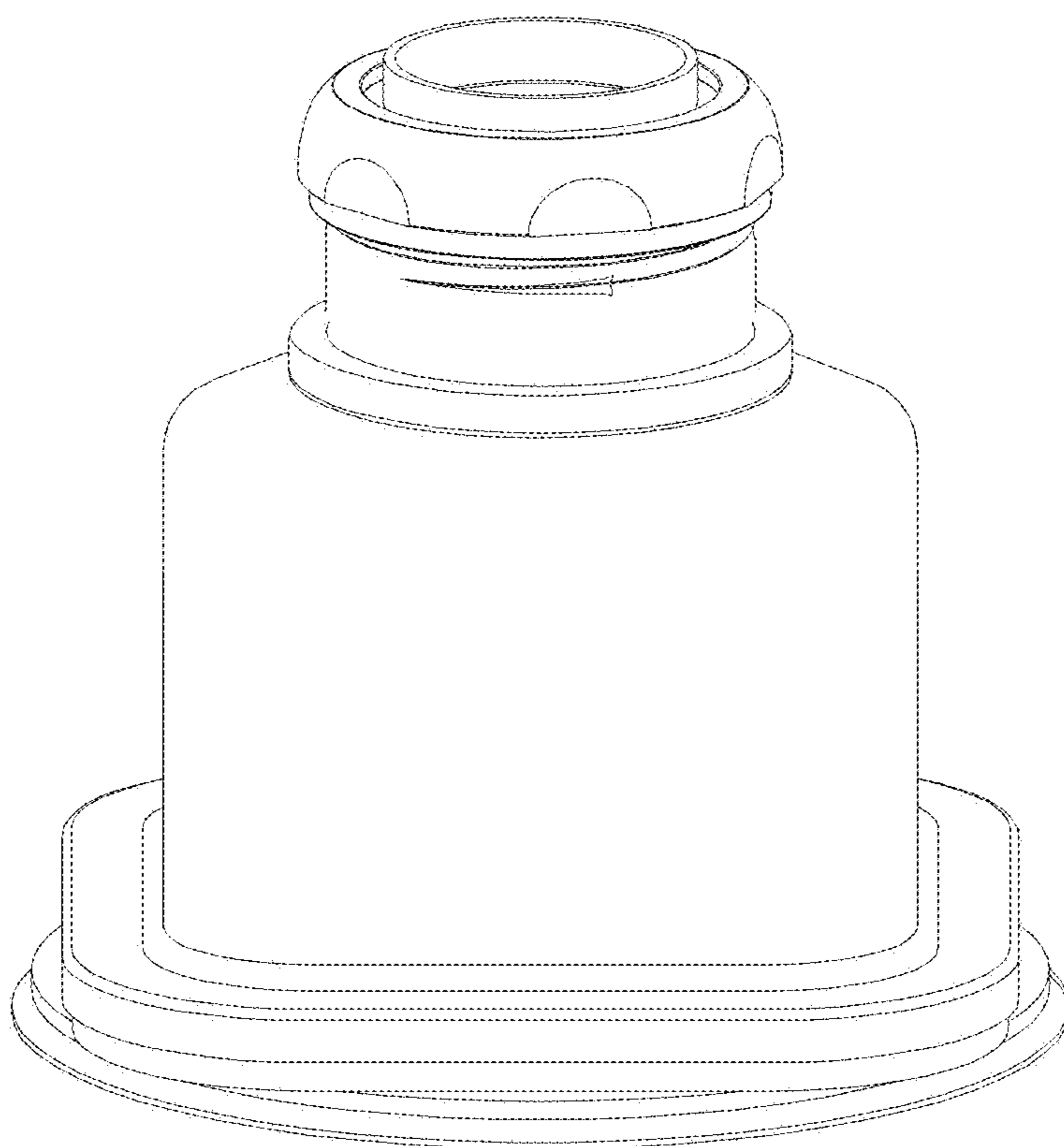


Fig. 8