



US00D935569S

(12) **United States Design Patent** (10) **Patent No.:** **US D935,569 S**
deLoache, III et al. (45) **Date of Patent:** **** Nov. 9, 2021**

(54) **DUAL SENSOR HANDS-FREE SENSOR FAUCET**

(71) Applicant: **Behavioral Safety Products, LLC**, Athens, GA (US)

(72) Inventors: **Robert Lee deLoache, III**, Watkinsville, GA (US); **David Cory deLoache**, Watkinsville, GA (US); **Mark Mendes**, Loganville, GA (US)

(73) Assignee: **BEHAVIORAL SAFETY PRODUCTS, LLC**, Athens, GA (US)

(**) Term: **15 Years**

(21) Appl. No.: **29/778,954**

(22) Filed: **Apr. 15, 2021**

(51) **LOC (13) Cl.** **23-01**

(52) **U.S. Cl.**
USPC **D23/255**

(58) **Field of Classification Search**
USPC D23/255–257, 238–243; D10/96, 101
See application file for complete search history.

(56) **References Cited**

U.S. PATENT DOCUMENTS

5,215,216	A *	6/1993	Van Marcke	E03C 1/046 222/1
D344,575	S *	2/1994	Hill	D23/255
D346,645	S *	5/1994	Hill	D23/255
D431,285	S *	9/2000	Paterson	D23/255
D441,847	S *	5/2001	Oliver	D23/255
D536,425	S *	2/2007	VanMarcke	D23/255
D663,016	S *	7/2012	Figurski	D23/271
9,347,207	B2 *	5/2016	Chen	E03C 1/057
D908,195	S *	1/2021	Mo	D23/255

OTHER PUBLICATIONS

Chicago Faucets, Chrome, Mid Arc, Bathroom Sink Faucet, Motion Sensor Faucet Activation: https://www.grainger.com/product/CHICAGO-FAUCETS-Chrome-29RR56?opr=PDPSDSP&analytics=dssubItems_5UTP4&position=2 (Year: 2021).
Bestcare Chrome, Angled Straight, Bathroom Sink Faucet, Motion Sensor Faucet Activation, 0.5 gpm downloaded from <https://www.grainger.com/product/55AF74> on Apr. 14, 2021.

* cited by examiner

Primary Examiner — Robert A Delehanty

(74) *Attorney, Agent, or Firm* — Mitch Harris, Atty at Law, LLC; Andrew M. Harris

(57) **CLAIM**

The ornamental design for a dual sensor hands-free sensor faucet, as shown and described.

DESCRIPTION

FIG. 1 is an upper left perspective view of the dual sensor hands-free sensor faucet.

FIG. 2 is a bottom-right perspective view of the dual sensor hands-free sensor faucet.

FIG. 3 is a rear view of the dual sensor hands-free sensor faucet.

FIG. 4 is a front view of the dual sensor hands-free sensor faucet.

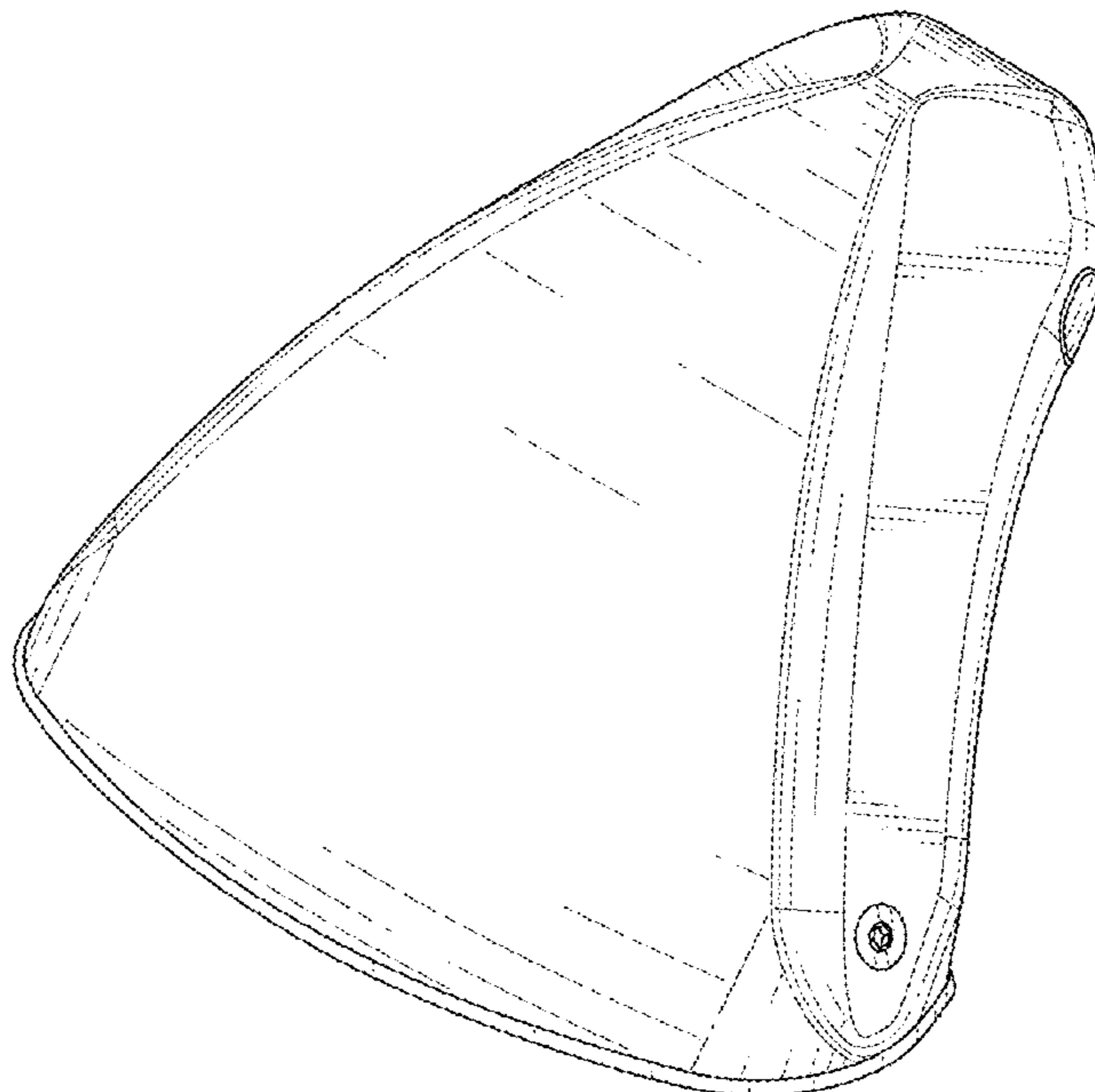
FIG. 5 is a left side view of the dual sensor hands-free sensor faucet.

FIG. 6 is a right side view of the dual sensor hands-free sensor faucet.

FIG. 7 is a top view of the dual sensor hands-free sensor faucet; and,

FIG. 8 is a bottom view of the dual sensor hands-free sensor faucet.

1 Claim, 8 Drawing Sheets



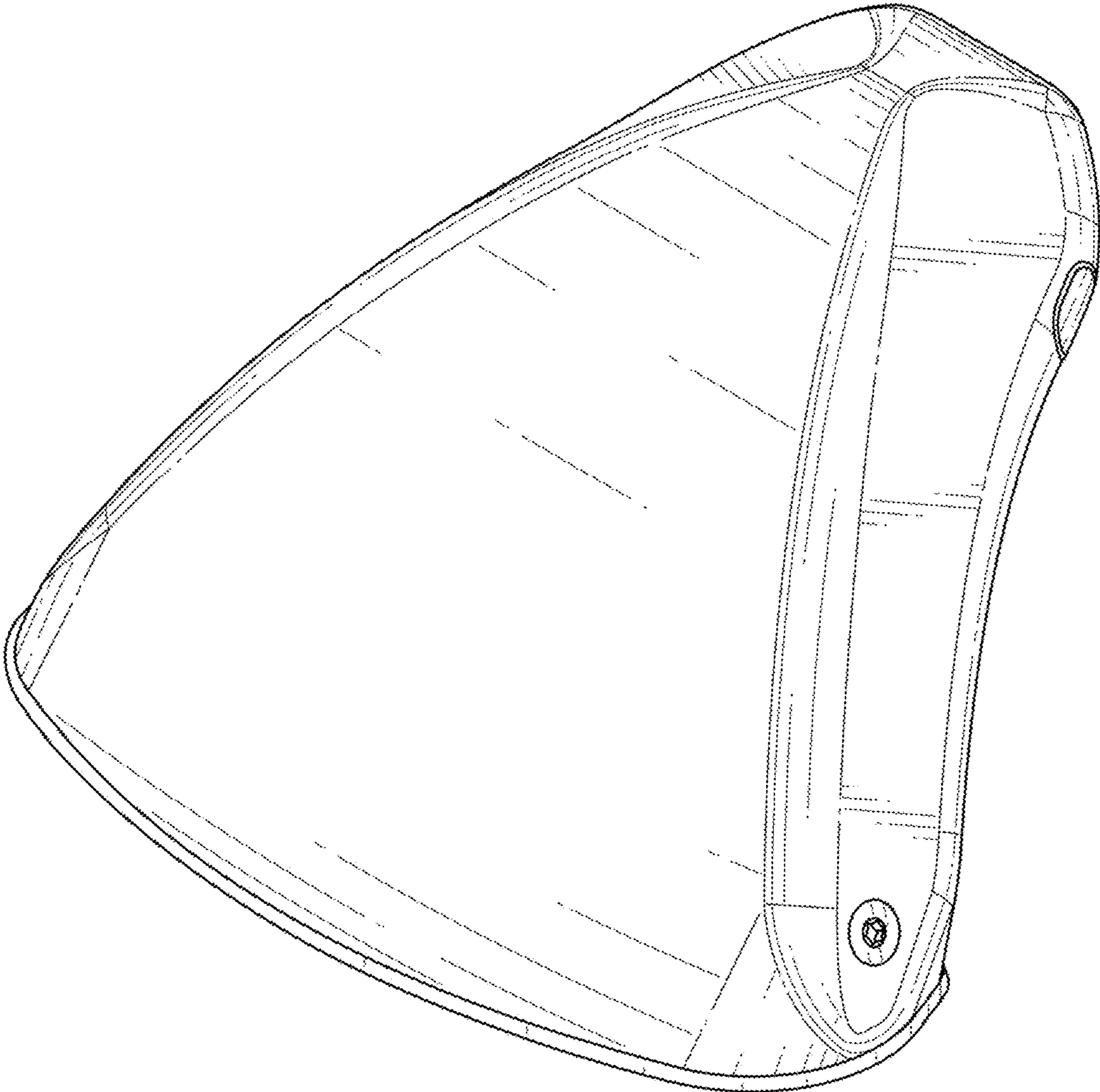


FIG. 1

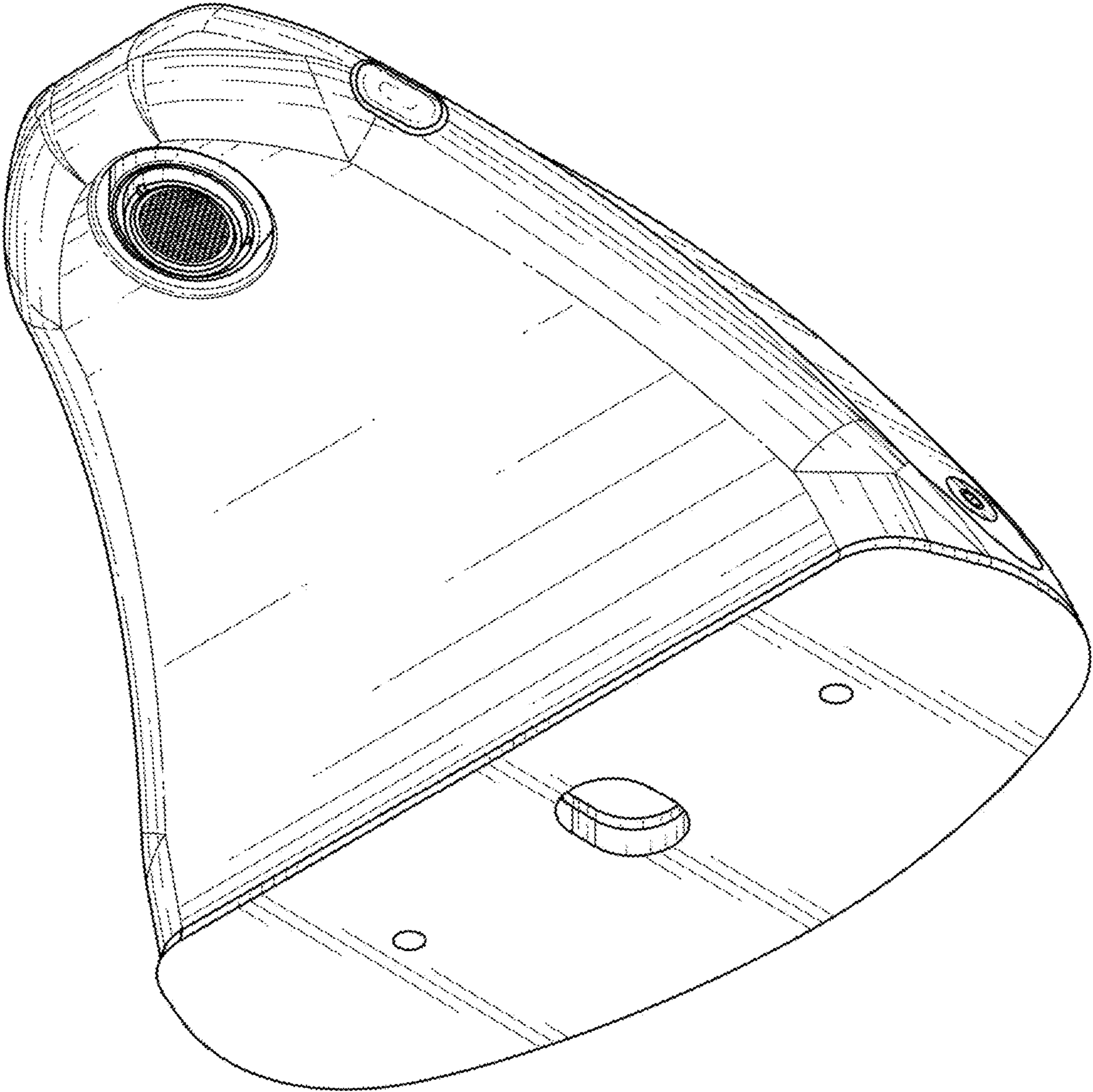


FIG. 2

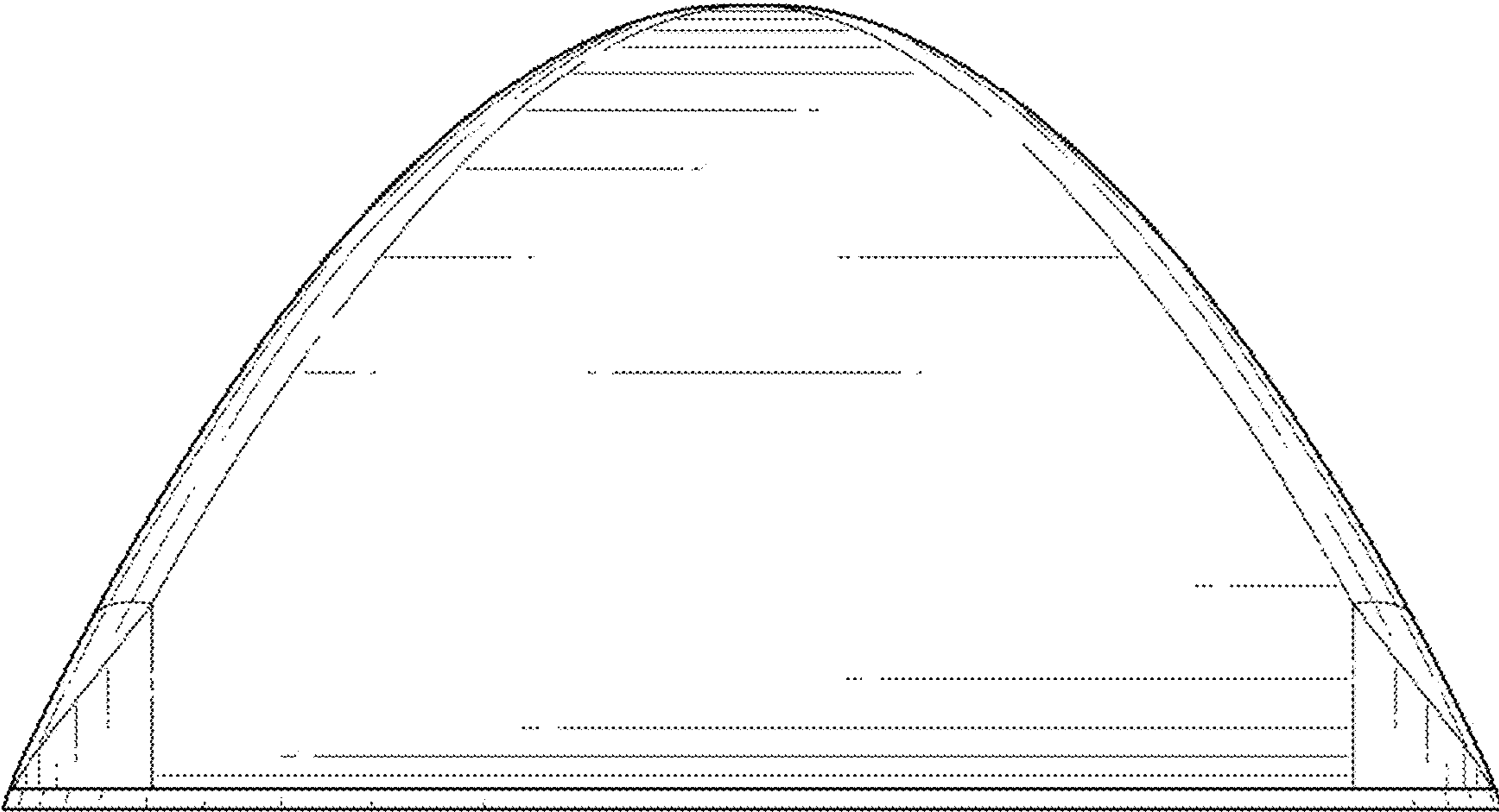


FIG. 3

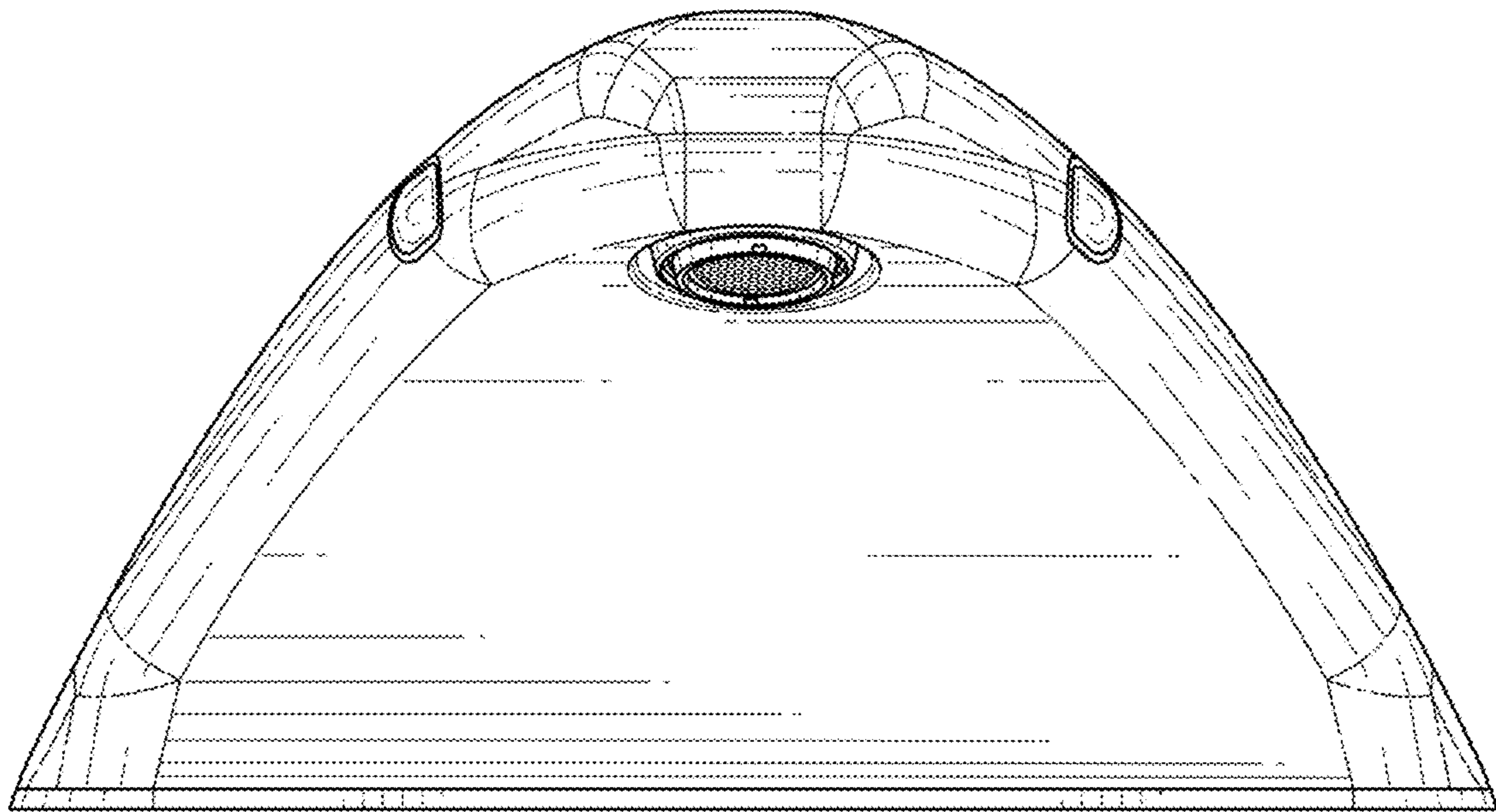


FIG. 4

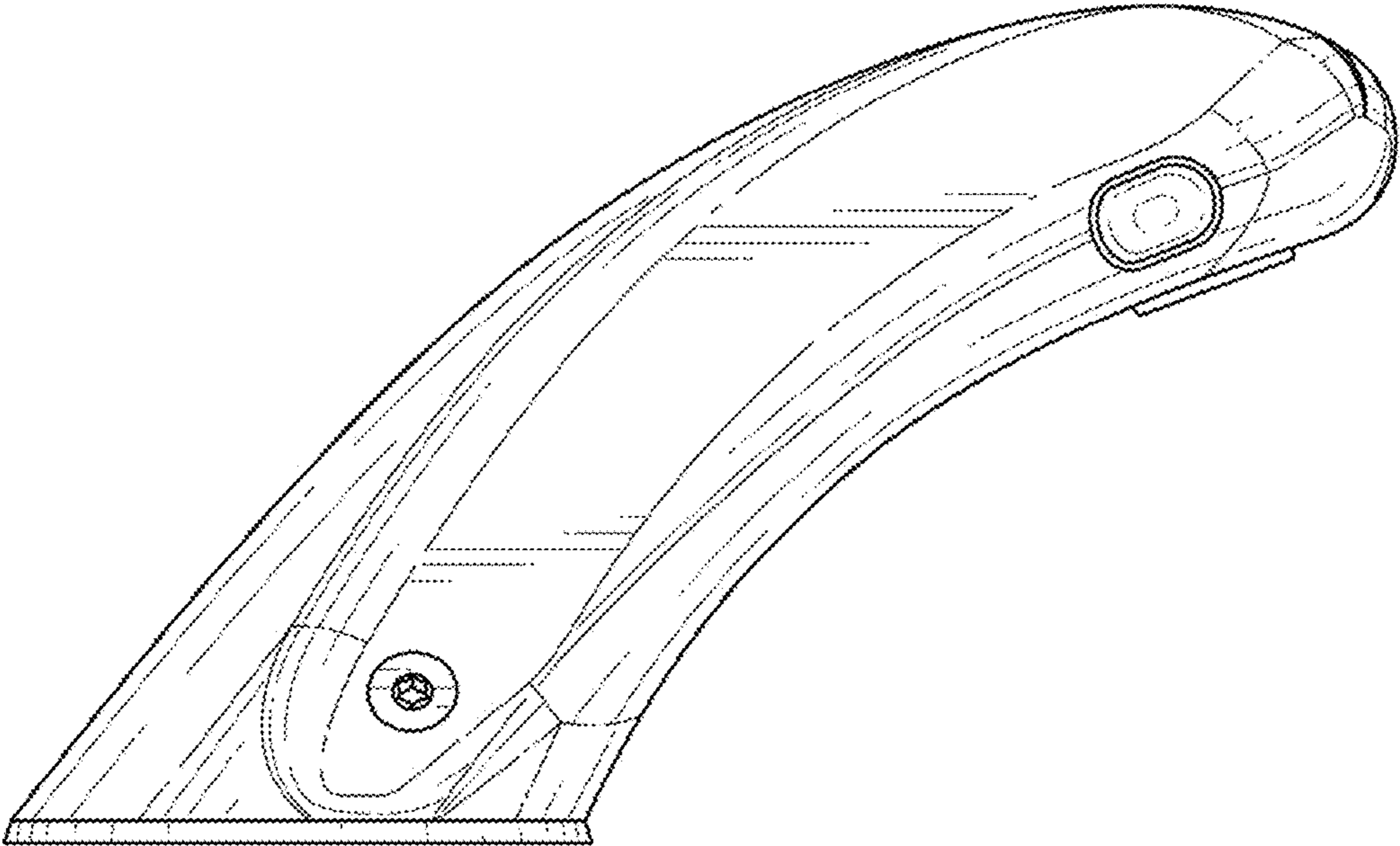


FIG. 5

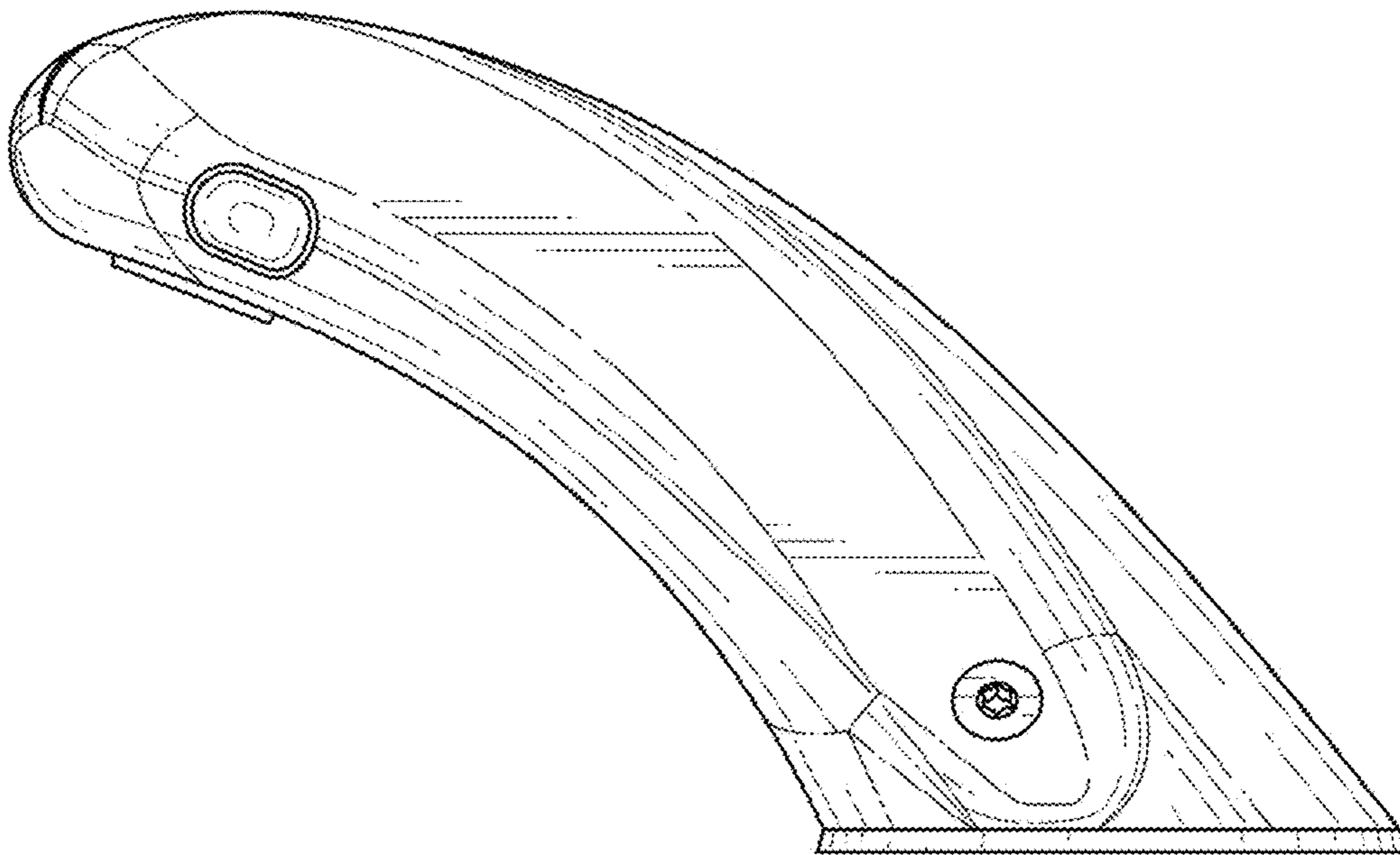


FIG. 6

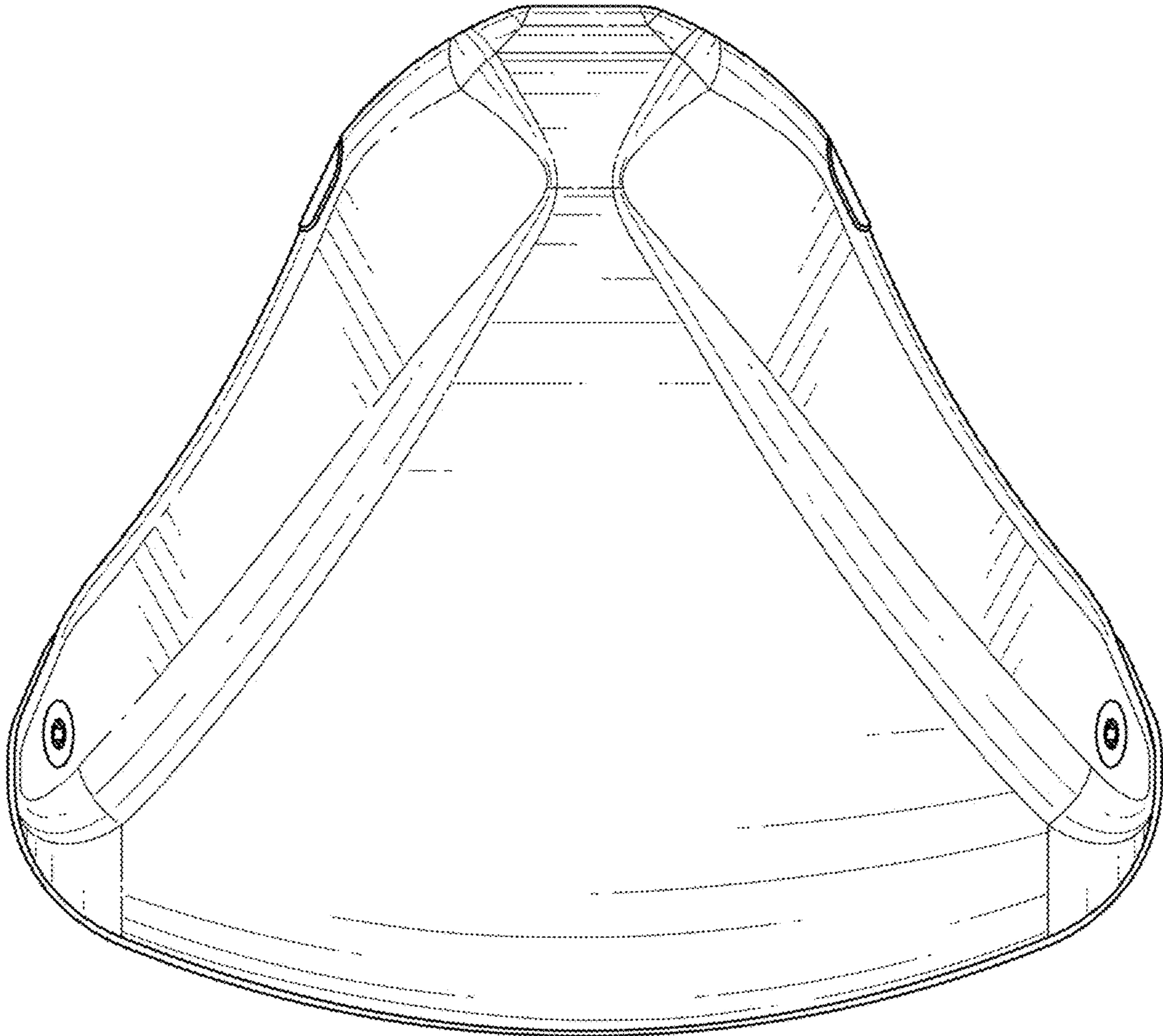


FIG. 7

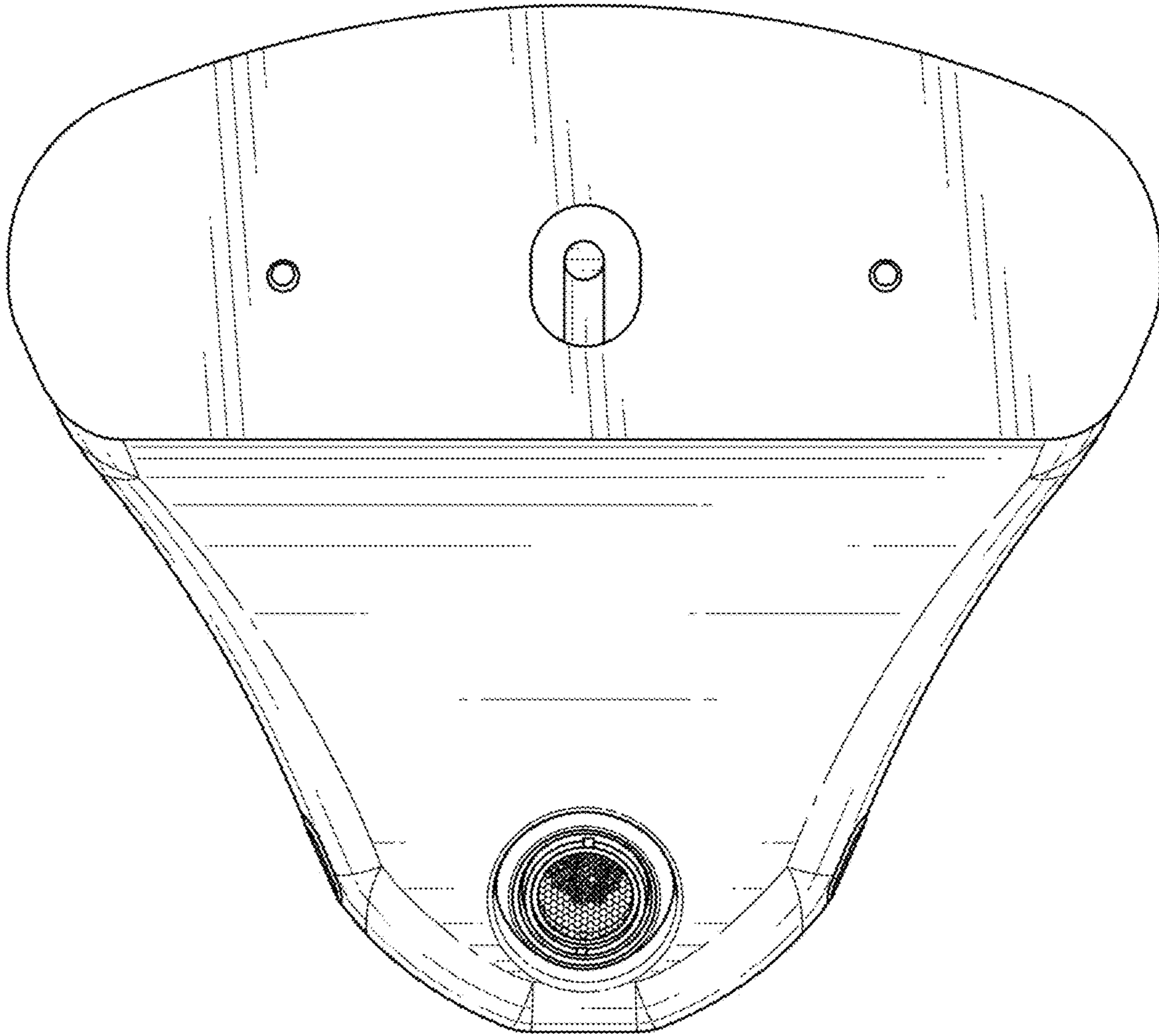


FIG. 8