



US00D935568S

(12) **United States Design Patent**  
**Soulier et al.**

(10) **Patent No.:** **US D935,568 S**

(45) **Date of Patent:** **\*\* Nov. 9, 2021**

(54) **FAUCET**

(71) Applicant: **Kohler Co.**, Kohler, WI (US)

(72) Inventors: **Jean-Hugues Soulier**, Paris (FR);  
**Ferran Serra Sola**, Paris (FR)

(73) Assignee: **KOHLER CO.**, Kohler, WI (US)

(\*\*) Term: **15 Years**

(21) Appl. No.: **29/750,028**

(22) Filed: **Sep. 10, 2020**

**Related U.S. Application Data**

(62) Division of application No. 29/638,379, filed on Feb. 27, 2018, now Pat. No. Des. 899,565.

(51) **LOC (13) Cl.** ..... **23-01**

(52) **U.S. Cl.**  
USPC ..... **D23/255**

(58) **Field of Classification Search**  
USPC ..... D23/238–241, 250, 252–254  
CPC ..... Y10T 137/9464; Y10T 137/6014; Y10T  
137/6017  
See application file for complete search history.

(56) **References Cited**

**U.S. PATENT DOCUMENTS**

D468,810 S 1/2003 Smith  
D472,615 S 4/2003 Smith

D510,758 S 10/2005 Lord et al.  
D513,060 S 12/2005 Ouyoung  
D535,360 S 1/2007 Noth et al.  
D582,016 S 12/2008 Schonherr et al.  
D752,186 S 3/2016 Schoenherr et al.  
D752,187 S 3/2016 Schoenherr et al.  
D811,532 S 2/2018 Schoenherr et al.  
D813,988 S 3/2018 Schoenherr et al.  
D823,989 S 7/2018 Soulier et al.  
D827,779 S 9/2018 Soulier  
D828,908 S 9/2018 Merki

*Primary Examiner* — Robert A Delehanty

(74) *Attorney, Agent, or Firm* — Foley & Lardner LLP

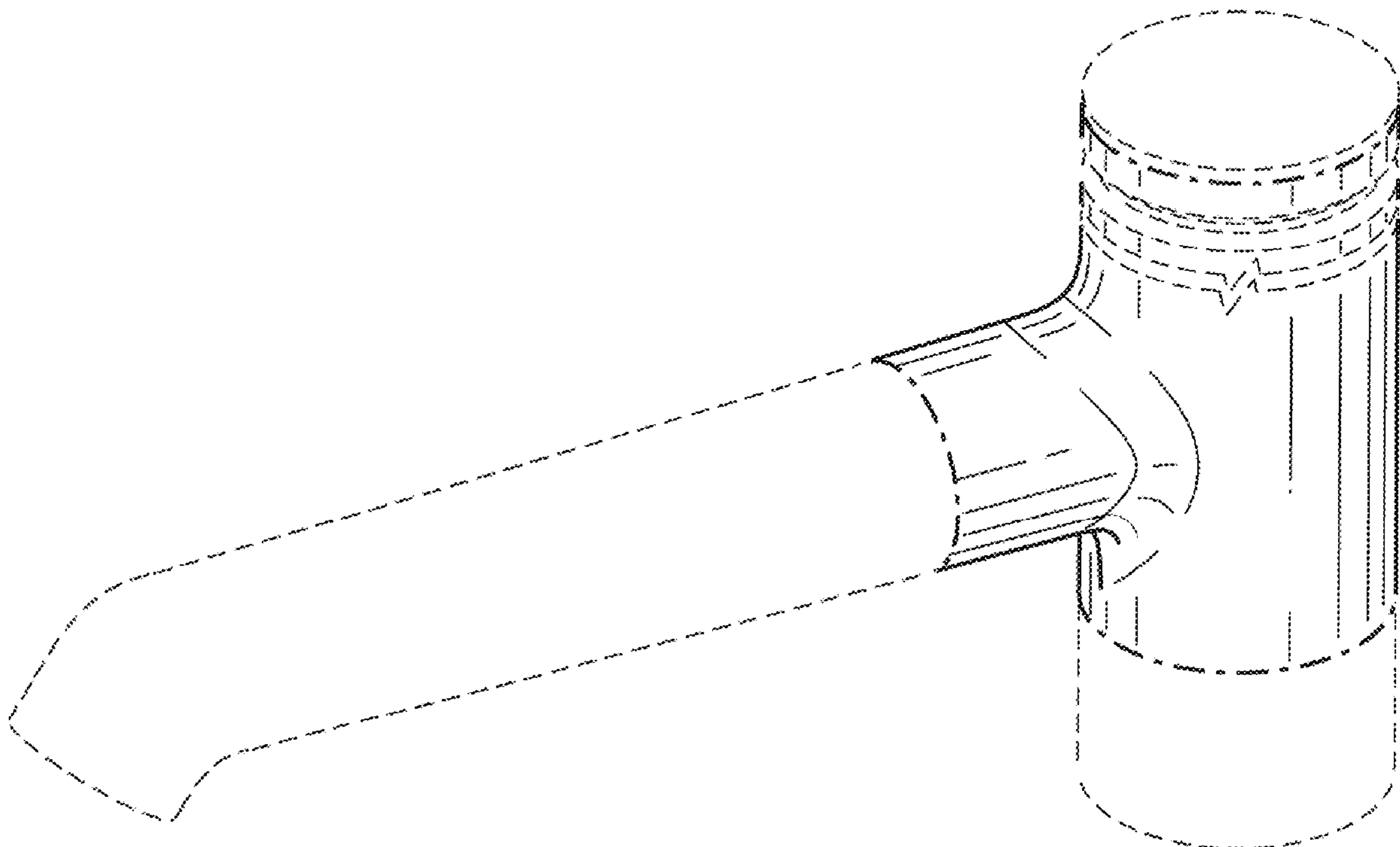
(57) **CLAIM**

We claim the ornamental design for a faucet, as shown and described.

**DESCRIPTION**

FIG. 1 is a perspective view of the claimed design; FIG. 2 is a front view of the embodiment of FIG. 1; FIG. 3 is a rear view of the embodiment of FIG. 1; FIG. 4 is a side view of the embodiment of FIG. 1; FIG. 5 is another side view of the embodiment of FIG. 1; FIG. 6 is a top view of the embodiment of FIG. 1; and, FIG. 7 is a bottom view of the embodiment of FIG. 1. The ornamental design which is claimed is shown in solid lines in the drawings. The broken lines in the drawings are for illustrative purposes only and form no part of the claimed design. Broken lines formed of unequal length dashes (i.e., dash-dot) define bounds of the claimed design.

**1 Claim, 3 Drawing Sheets**



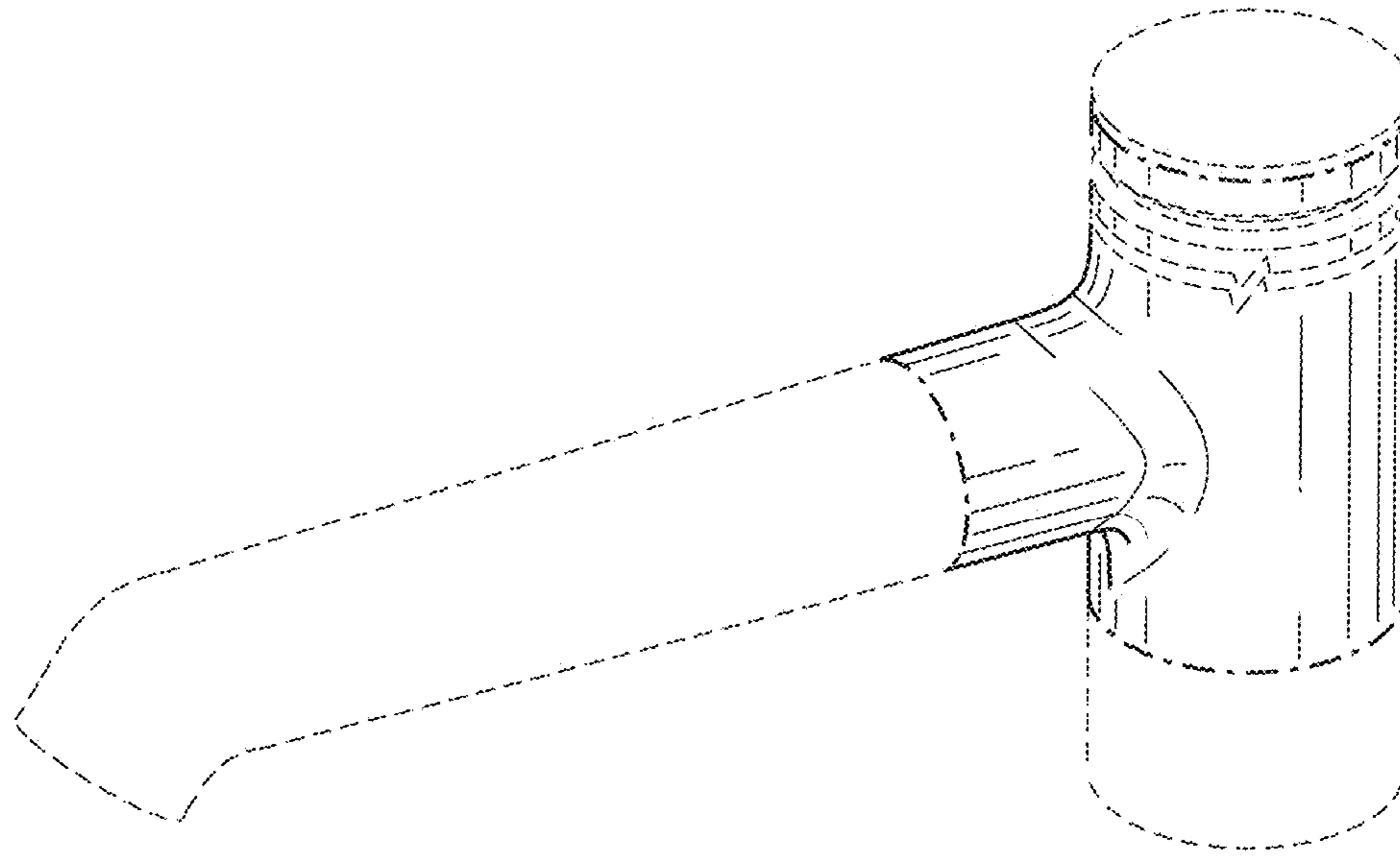


FIG. 1

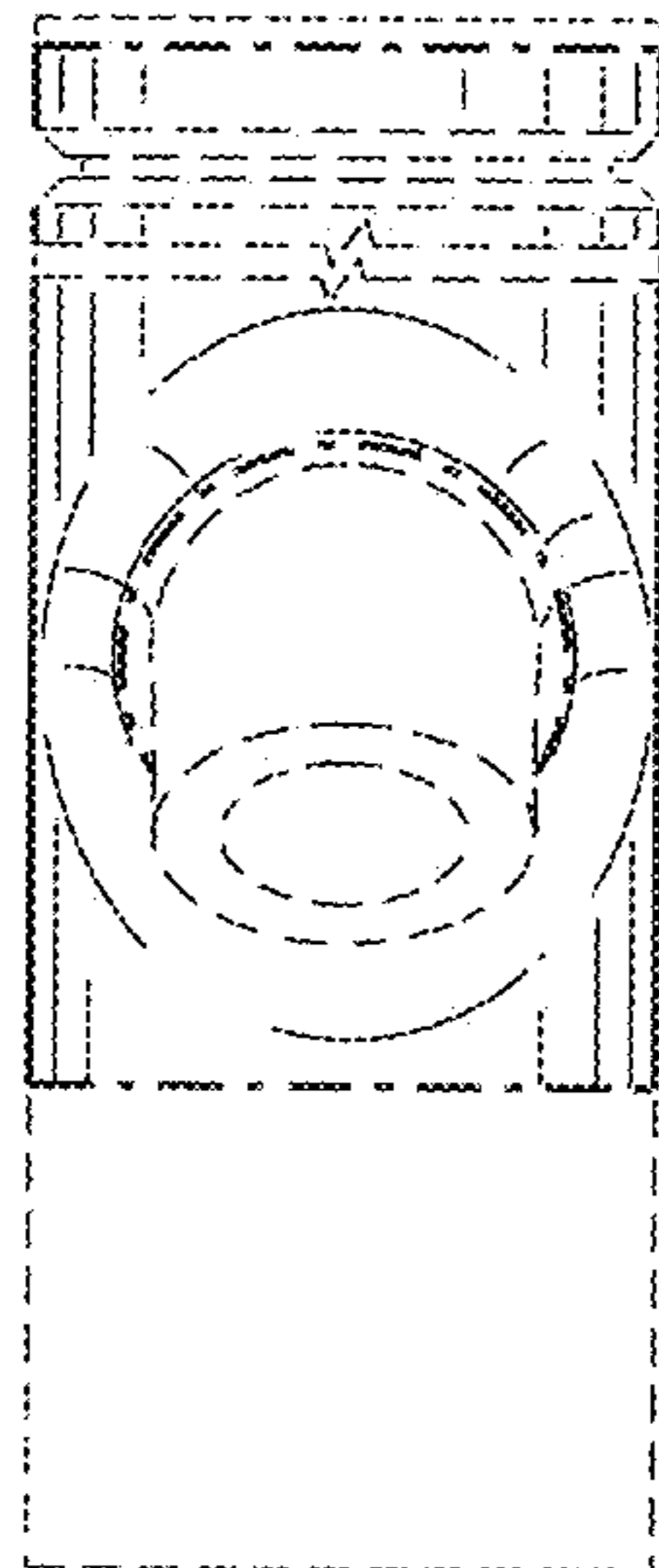


FIG. 2

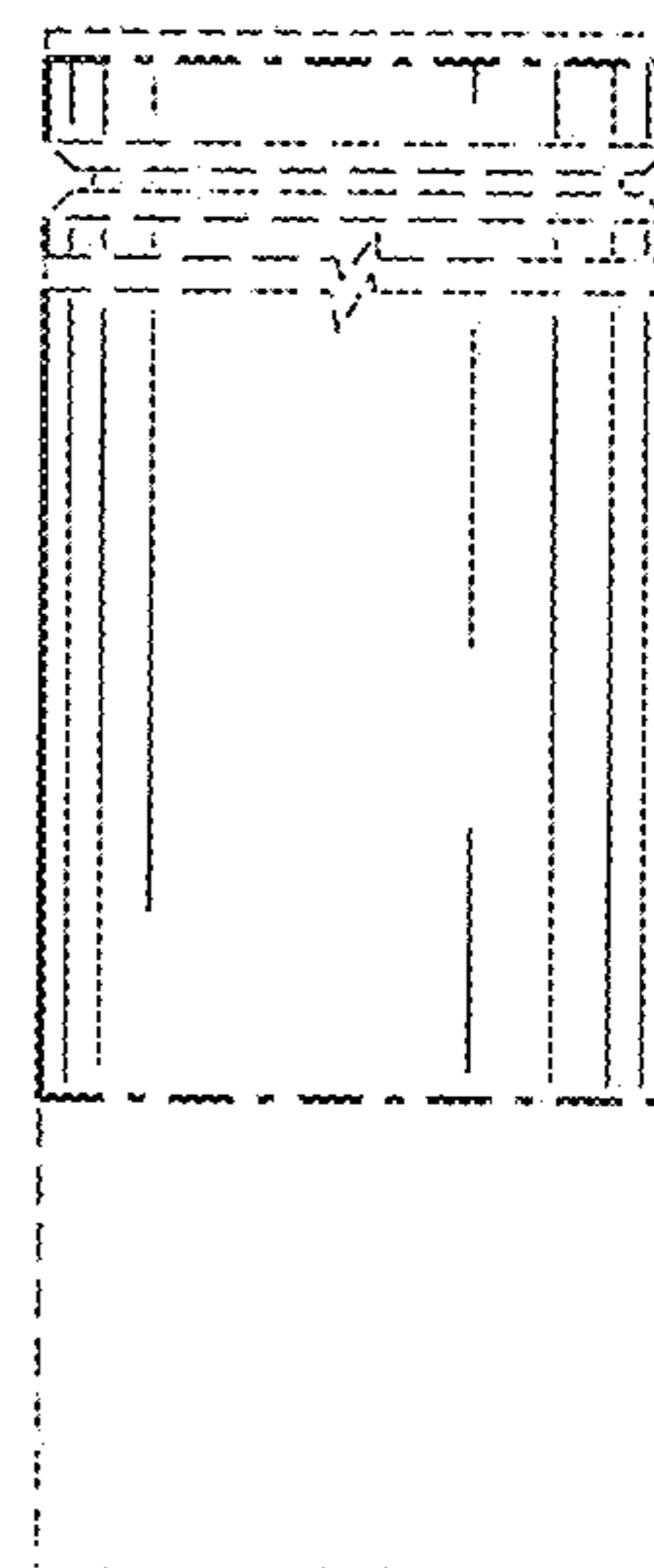


FIG. 3

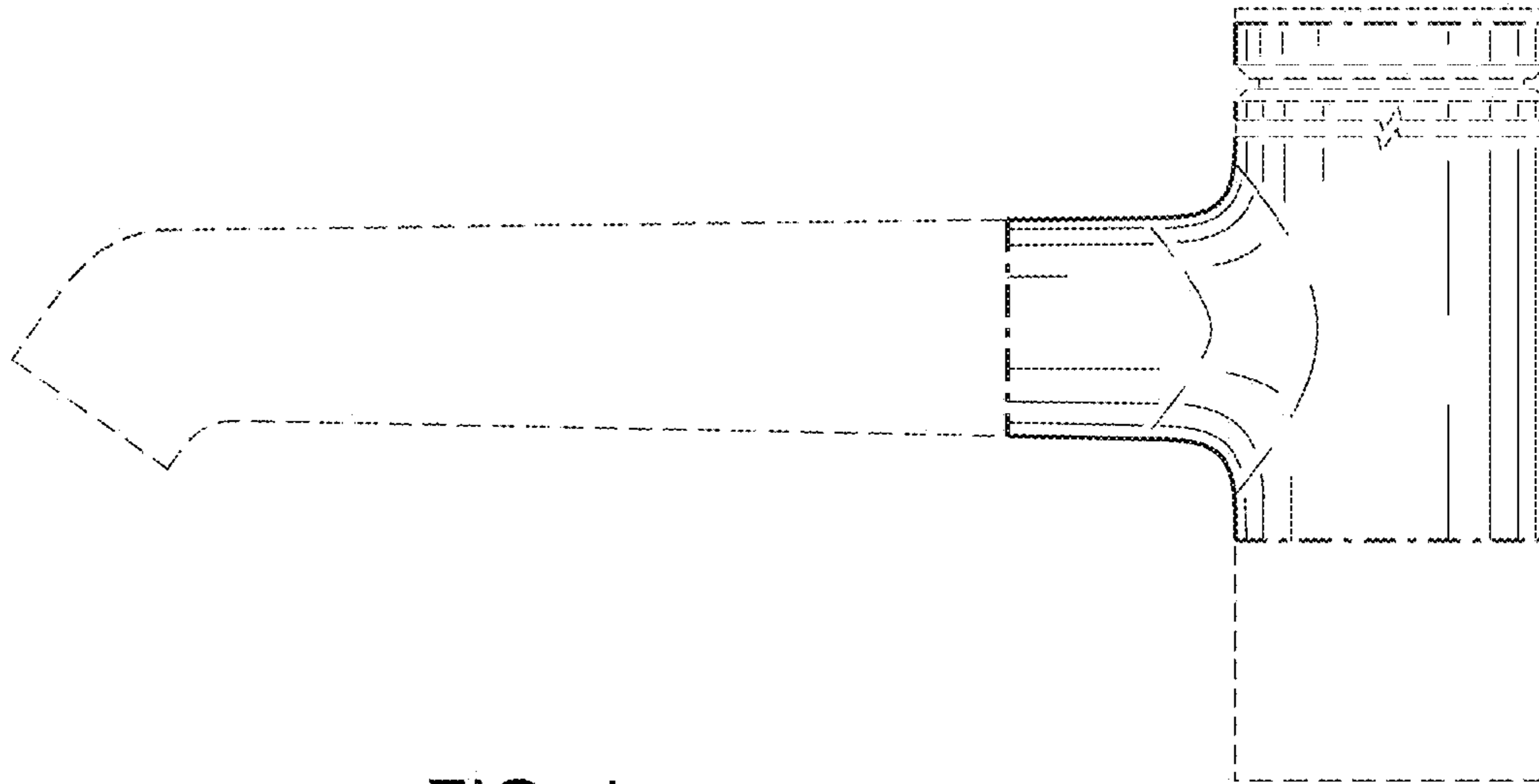


FIG. 4

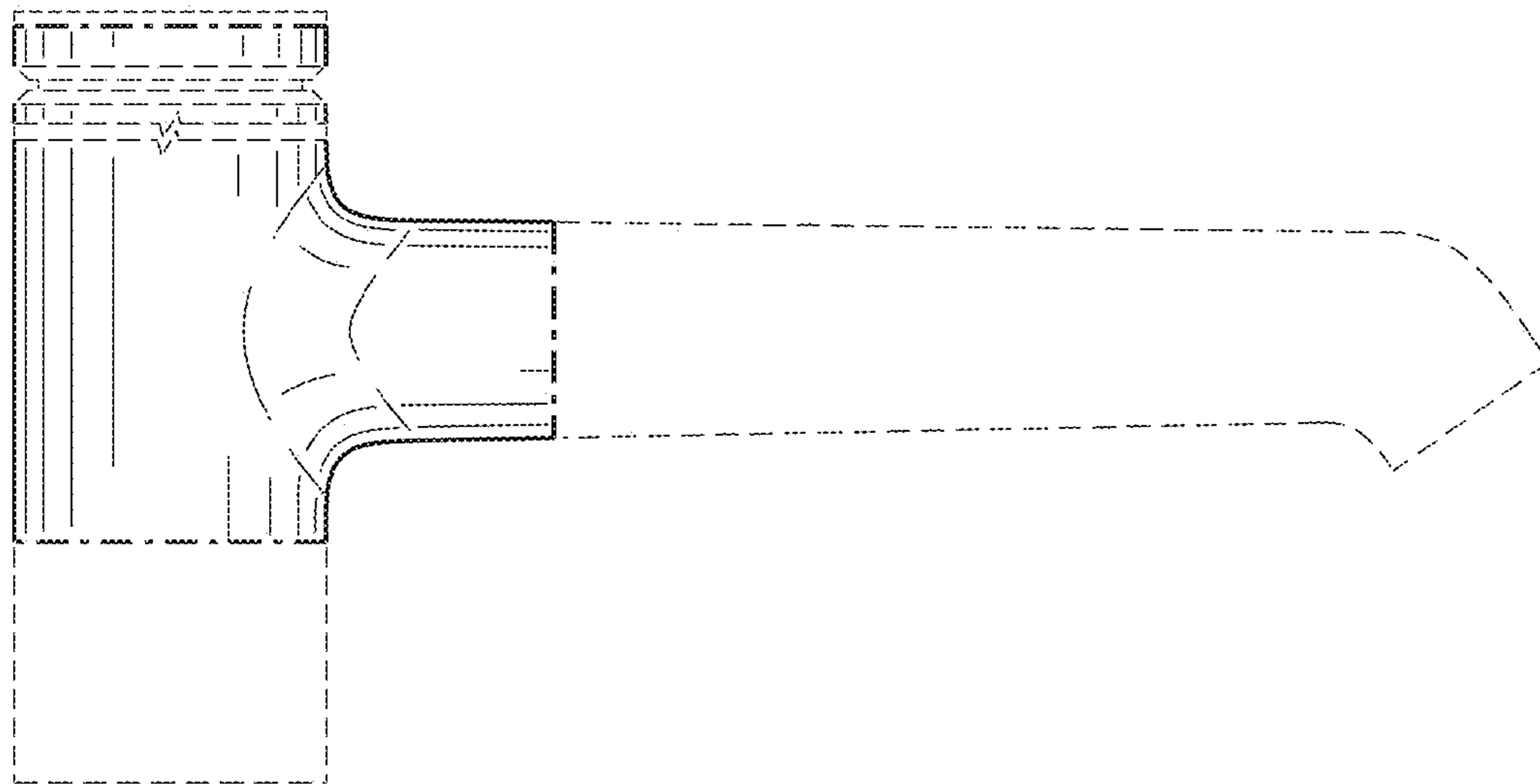


FIG. 5

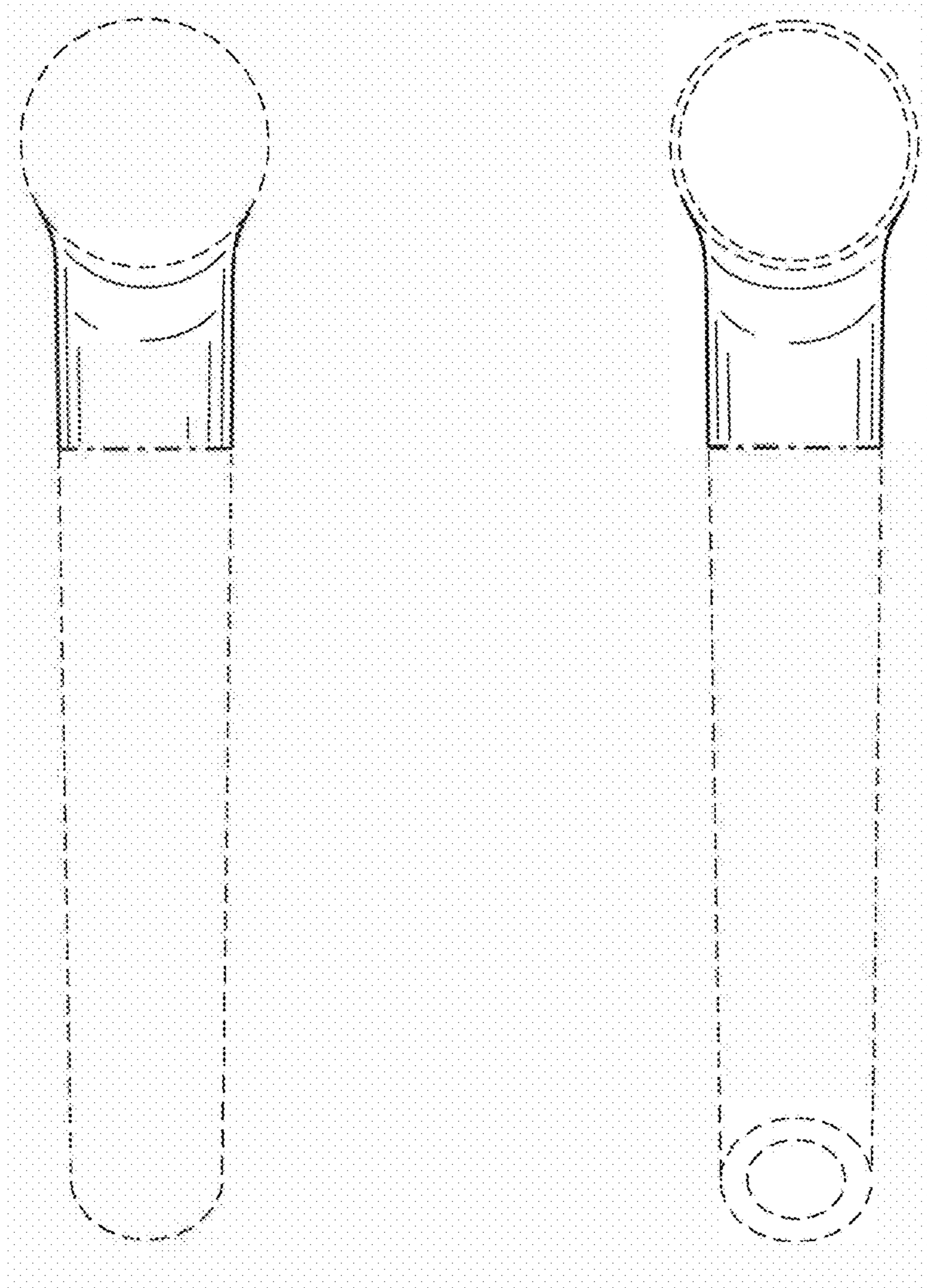


FIG. 6

FIG. 7