



US00D935565S

(12) **United States Design Patent** (10) **Patent No.:** **US D935,565 S**
Liu (45) **Date of Patent:** **** Nov. 9, 2021**

(54) **KITCHEN FAUCET**

FOREIGN PATENT DOCUMENTS

(71) Applicant: **Kai Liu**, Tianshui (CN)

CN 304647364 * 1/2018
CN 304909330 * 10/2018

(72) Inventor: **Kai Liu**, Tianshui (CN)

OTHER PUBLICATIONS

(**) Term: **15 Years**

(21) Appl. No.: **29/715,510**

APPASO gold, announced Sep. 4, 2019[online], [site visited Jan. 22, 2021]. Available from internet, URL:<www.appaso.com/collections/kitchen-faucet/products/kitchen-appaso-kitchen-faucet-133btg> (Year: 2019).*

(22) Filed: **Dec. 3, 2019**

Appaso 170BN, announced Oct. 23, 2019[online], [site visited Jan. 22, 2021]. Available from internet, URL:<https://www.amazon.com/APPASO-Kitchen-Magnetic-Docking-Sprayer/dp/B07ZHX3KRQ> (Year: 2019).*

(51) **LOC (13) Cl.** **23-01**

(52) **U.S. Cl.**
USPC **D23/238**

(58) **Field of Classification Search**

USPC D23/238–244, 252, 254–255, 257;
D8/307–308

CPC F16K 31/602; F16K 31/605; F16K 31/607;
E03C 1/0412

See application file for complete search history.

* cited by examiner

Primary Examiner — Barbara Fox

Assistant Examiner — Jamaal Rasheed

(74) *Attorney, Agent, or Firm* — Rumit R. Kanakia

(57) **CLAIM**

I claim the ornamental design for a kitchen faucet, as shown and described.

(56) **References Cited**

U.S. PATENT DOCUMENTS

7,753,079 B2 * 7/2010 Nelson E03C 1/0404
137/801
7,814,927 B2 * 10/2010 Hansen E03C 1/0403
137/315.12
D703,790 S * 4/2014 Mazz D23/238
D714,916 S * 10/2014 Flowers D23/255
D746,413 S * 12/2015 Hanna D23/255
D787,019 S * 5/2017 Ziemann D23/238
D825,720 S * 8/2018 Zeng D23/238
D835,237 S * 12/2018 Ziemann D23/238
D840,505 S * 2/2019 Zhang D23/238
D845,439 S * 4/2019 Zhang D23/238
D847,950 S * 5/2019 Zhang D23/238
D877,296 S * 3/2020 Tentler D23/238
D900,280 S * 10/2020 Judge D23/238

DESCRIPTION

FIG. 1 is a Perspective view of a kitchen faucet showing my new design;

FIG. 2 is another perspective view thereof;

FIG. 3 is a Front view thereof;

FIG. 4 is a Back view thereof;

FIG. 5 is a Right-side view thereof;

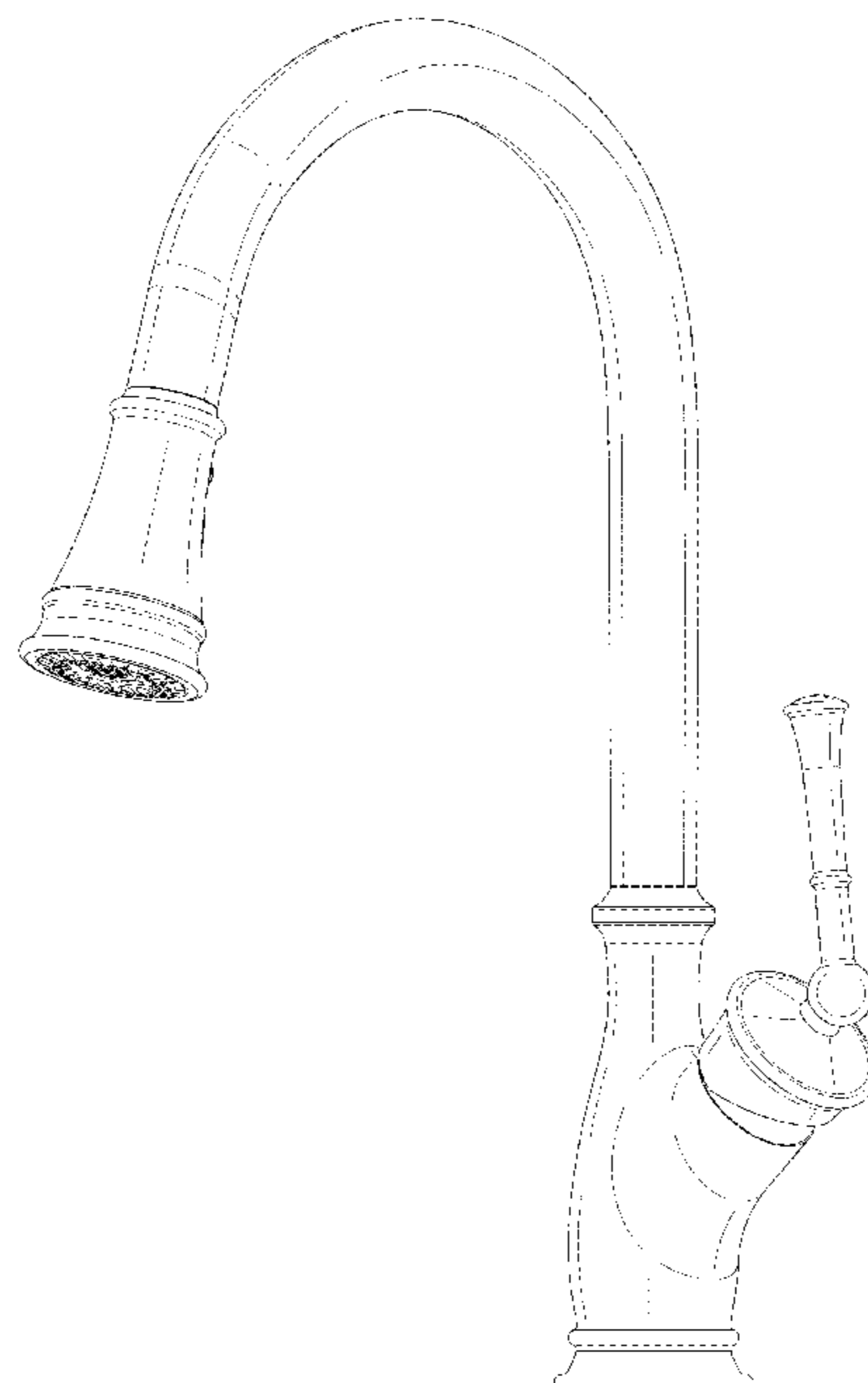
FIG. 6 is a Left-side view thereof;

FIG. 7 is a Top view thereof; and,

FIG. 8 is a Bottom view thereof.

The broken lines depict portions of the kitchen faucet that form no part of the claimed design.

1 Claim, 8 Drawing Sheets



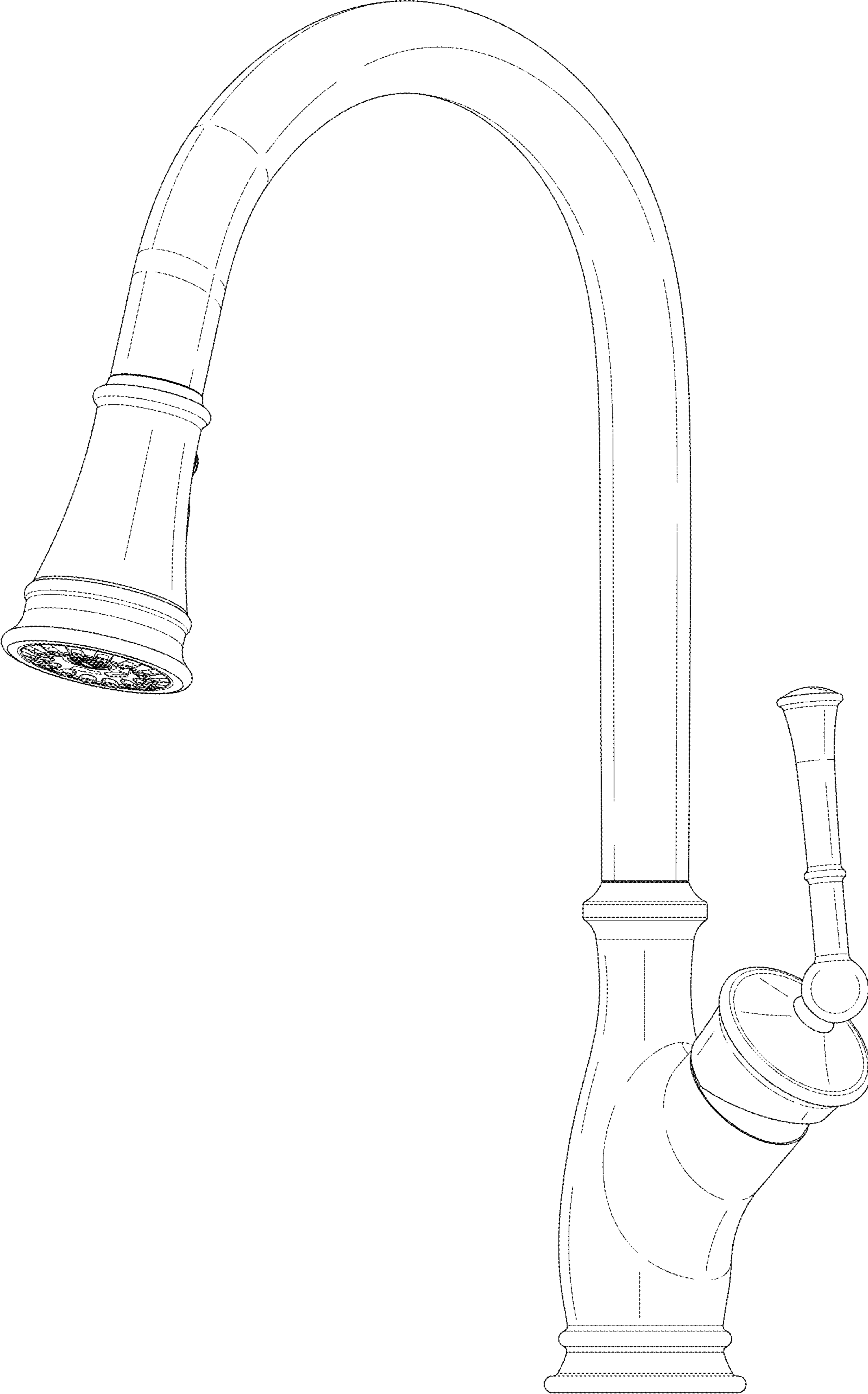


FIG. 1

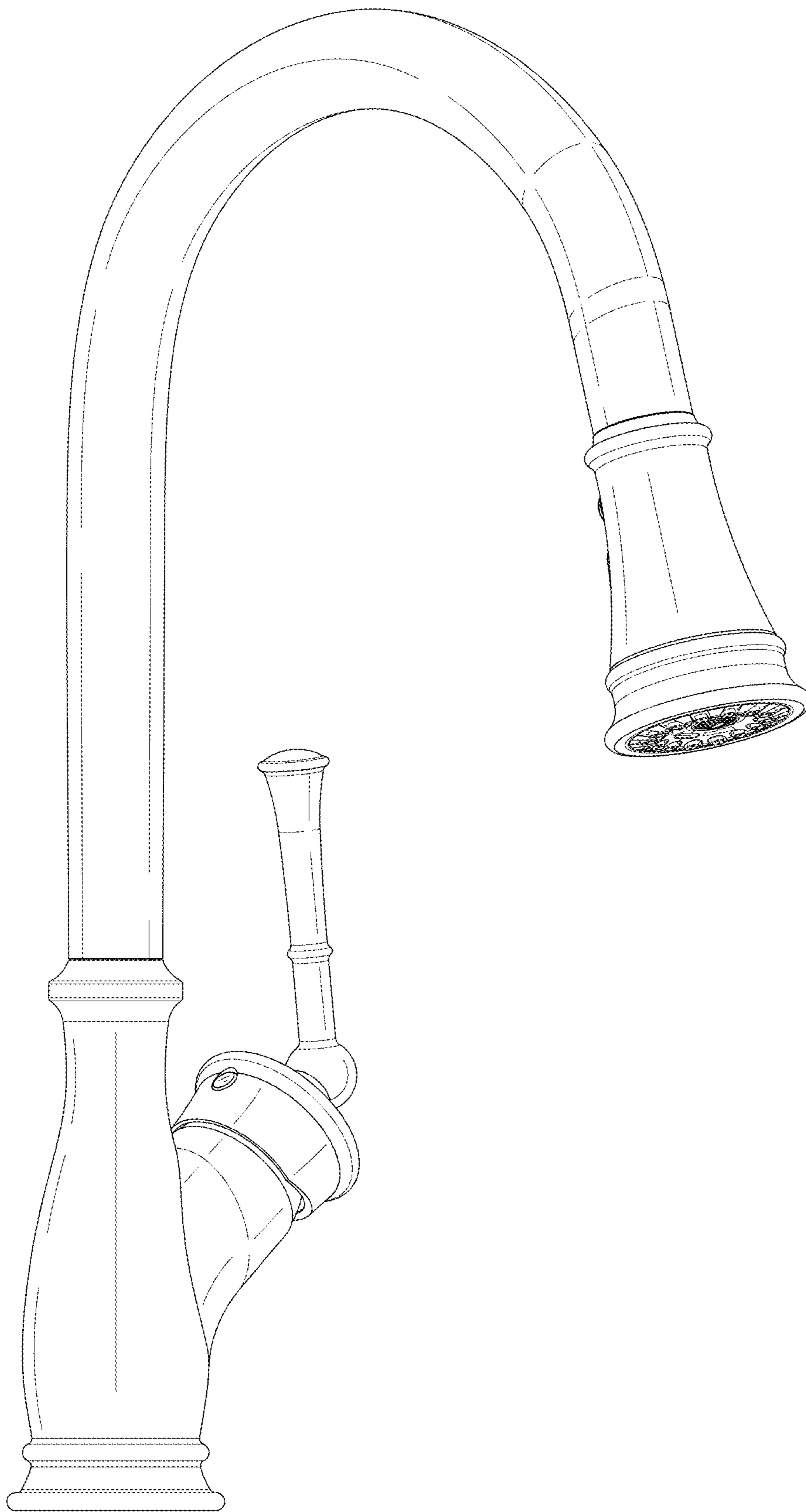


FIG. 2

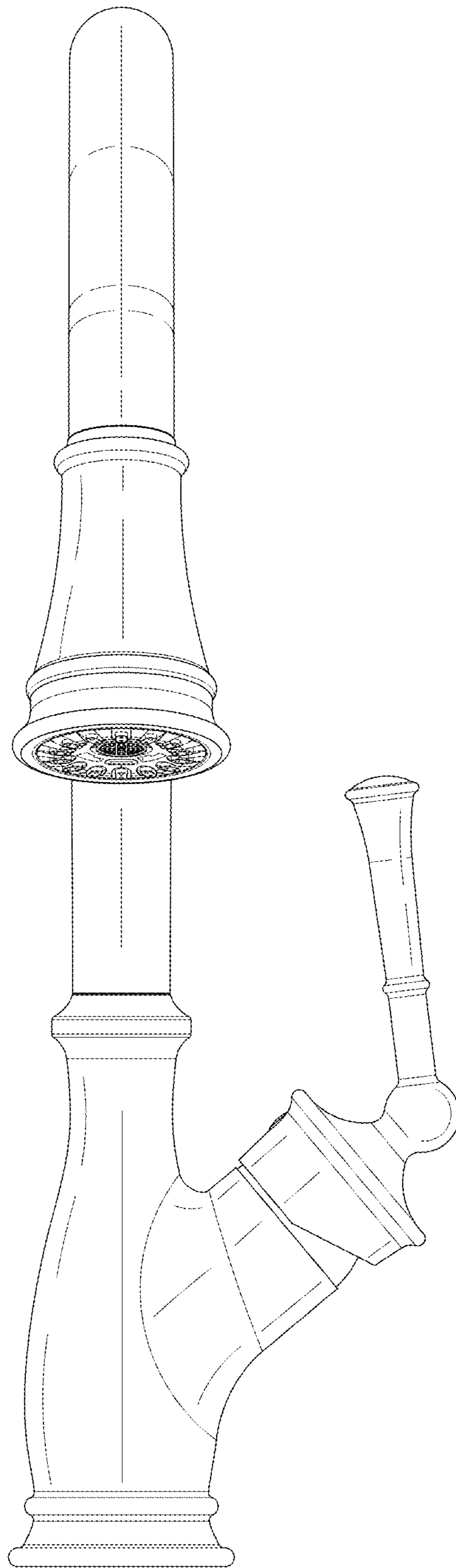


FIG. 3

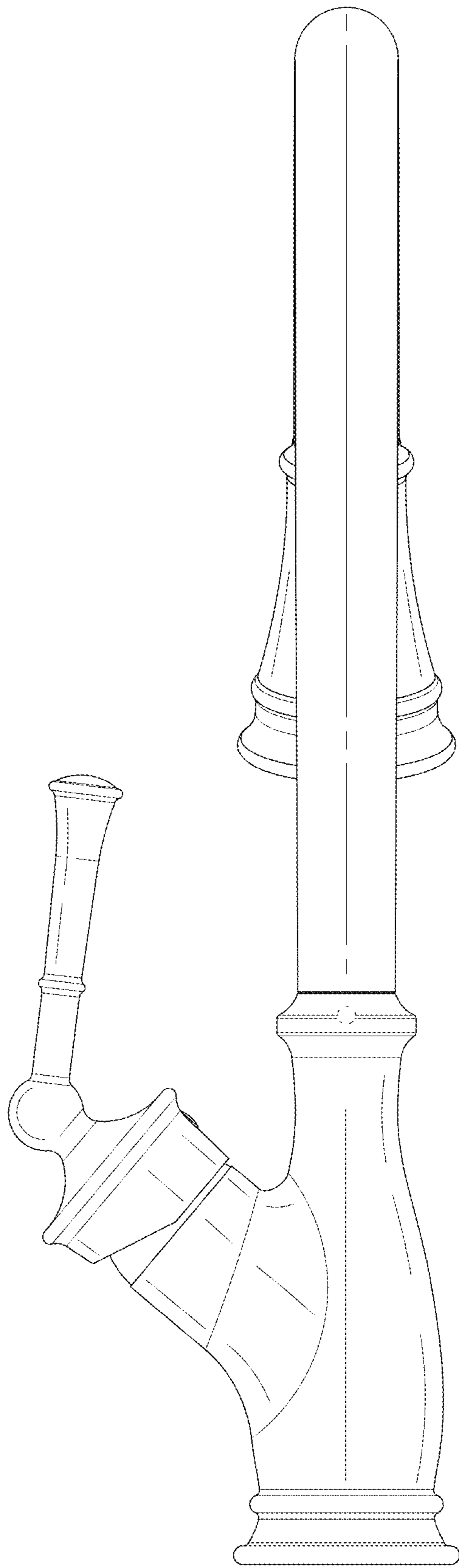


FIG. 4

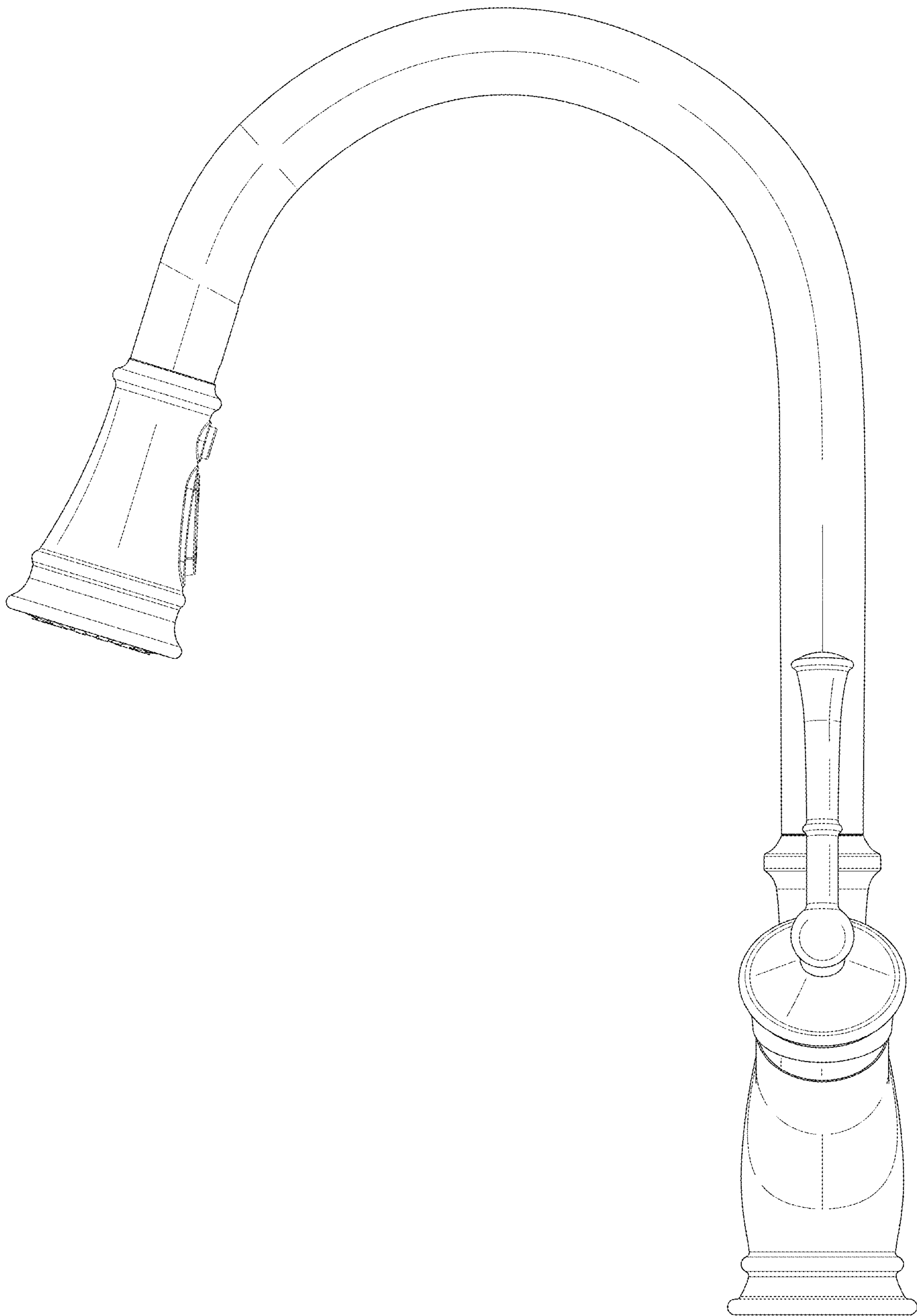


FIG. 5

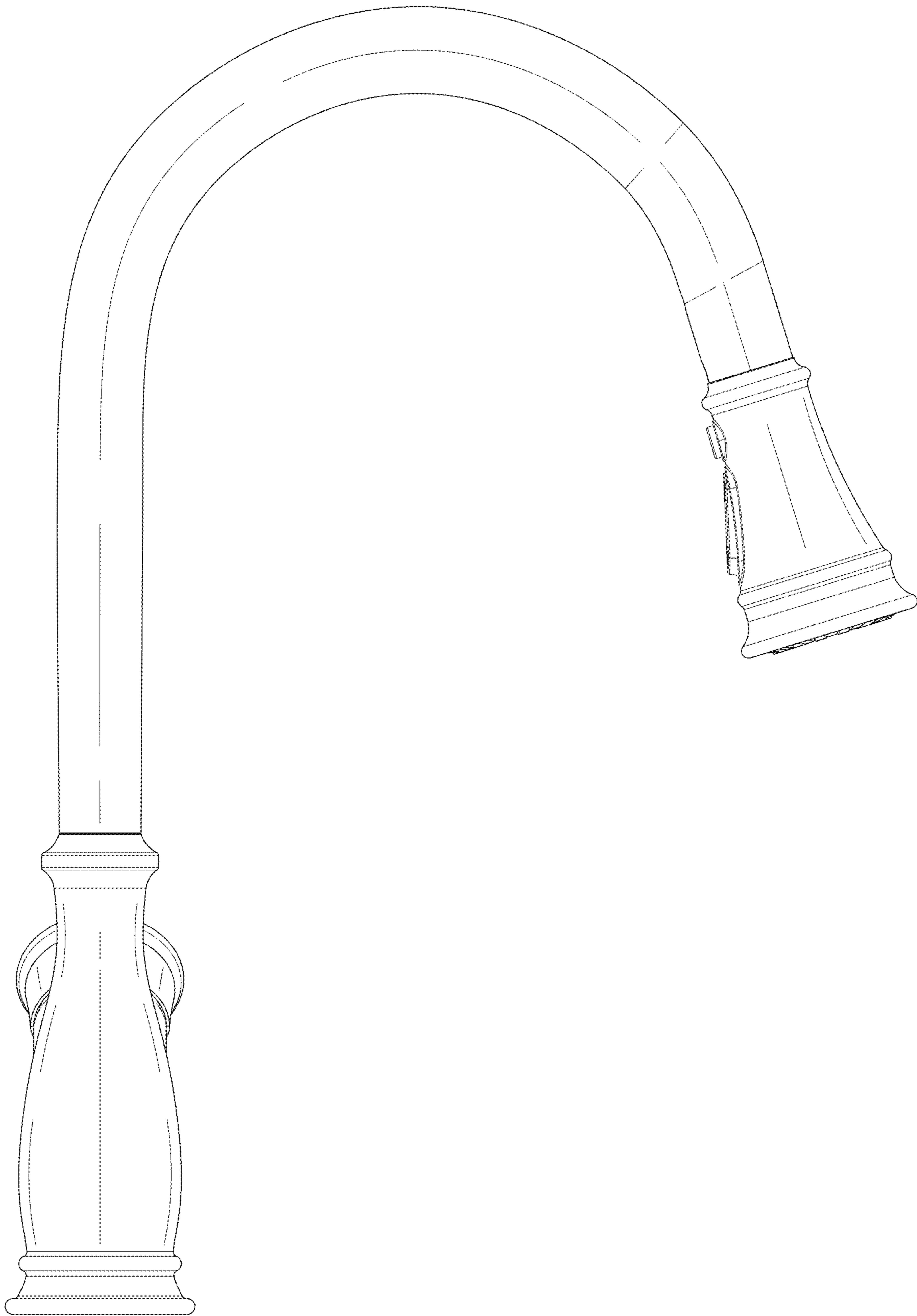


FIG. 6

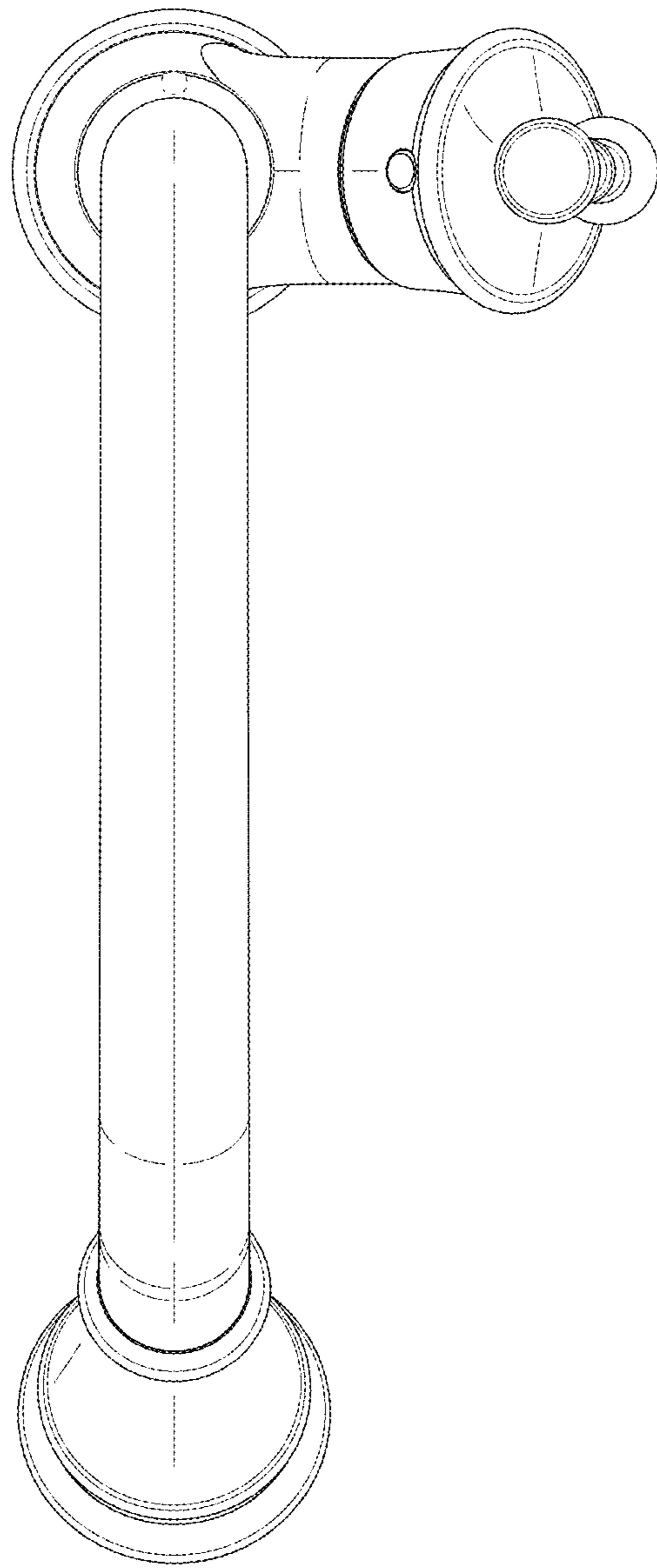


FIG. 7

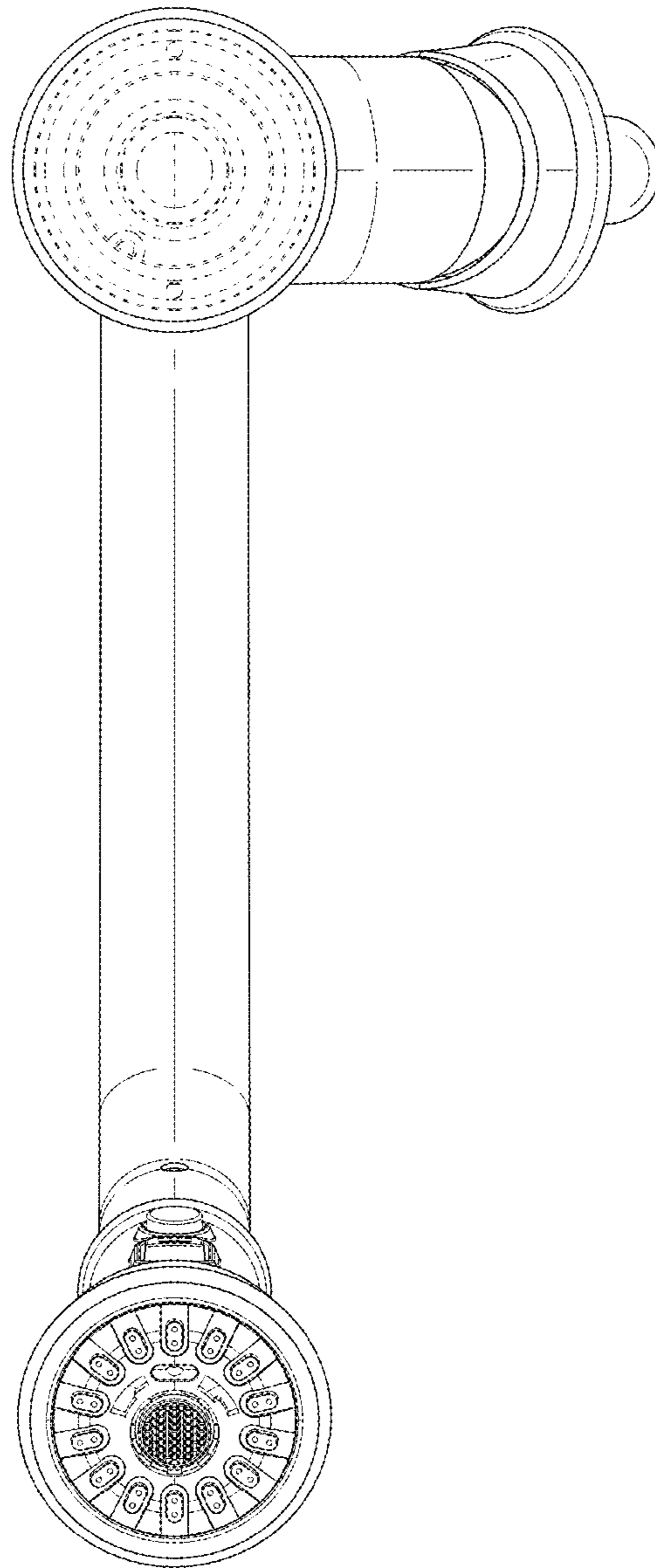


FIG. 8