



US00D935560S

(12) **United States Design Patent**
Mita et al.

(10) **Patent No.:** **US D935,560 S**

(45) **Date of Patent:** **** Nov. 9, 2021**

- (54) **ELECTROMAGNETIC VALVE**
- (71) Applicant: **SMC CORPORATION**, Chiyoda-ku (JP)
- (72) Inventors: **Minehiko Mita**, Joso (JP); **Seietsu Sumiyoshi**, Moriya (JP); **Naoyuki Maeda**, Ushiku (JP)
- (73) Assignee: **SMC CORPORATION**, Chiyoda-ku (JP)

(**) Term: **15 Years**

(21) Appl. No.: **29/724,657**

(22) Filed: **Feb. 18, 2020**

(30) **Foreign Application Priority Data**

Sep. 3, 2019 (JP) 2019-019627

(51) **LOC (13) Cl.** **23-01**

(52) **U.S. Cl.**
USPC **D23/233**

(58) **Field of Classification Search**
USPC D23/233, 235, 249
CPC F16K 11/24; F16K 27/003; F16K 27/0263;
F16K 27/029; F16K 27/048; F16K
31/0634; F16K 31/0675; F16K 31/082;
F15B 13/0857; F02M 63/0017; F02M
51/061; H01F 2007/1692; Y10T
137/86614
See application file for complete search history.

(56) **References Cited**

U.S. PATENT DOCUMENTS

- 5,603,355 A * 2/1997 Miyazoe F15B 13/0853
137/625.64
- D636,460 S * 4/2011 Hayashi D23/233
- D639,393 S * 6/2011 Hayashi D23/233
- D653,308 S * 1/2012 Senba D23/233

- D665,874 S * 8/2012 Senba D23/233
- D693,903 S * 11/2013 Tamura D23/233
- D695,380 S * 12/2013 Tamura D23/233
- D698,900 S * 2/2014 Narita D23/233
- D708,707 S * 7/2014 Matsumura D23/233
- D752,714 S * 3/2016 Birke D23/233
- D909,536 S * 2/2021 Yoshimura D23/233
- D909,537 S * 2/2021 Yoshimura D23/233
- D909,538 S * 2/2021 Yoshimura D23/233
- D910,147 S * 2/2021 Yoshimura D23/233
- D910,148 S * 2/2021 Yoshimura D23/233
- D911,491 S * 2/2021 Sumiyoshi D23/233
- 2006/0283509 A1 * 12/2006 Narita F15B 13/0896
137/596.16
- 2014/0264106 A1 * 9/2014 Matsumura F16K 1/52
251/73
- 2018/0135766 A1 * 5/2018 Miyazoe F16K 27/003

* cited by examiner

Primary Examiner — Selina Sikder

(74) *Attorney, Agent, or Firm* — Oblon, McClelland, Maier & Neustadt, L.L.P.

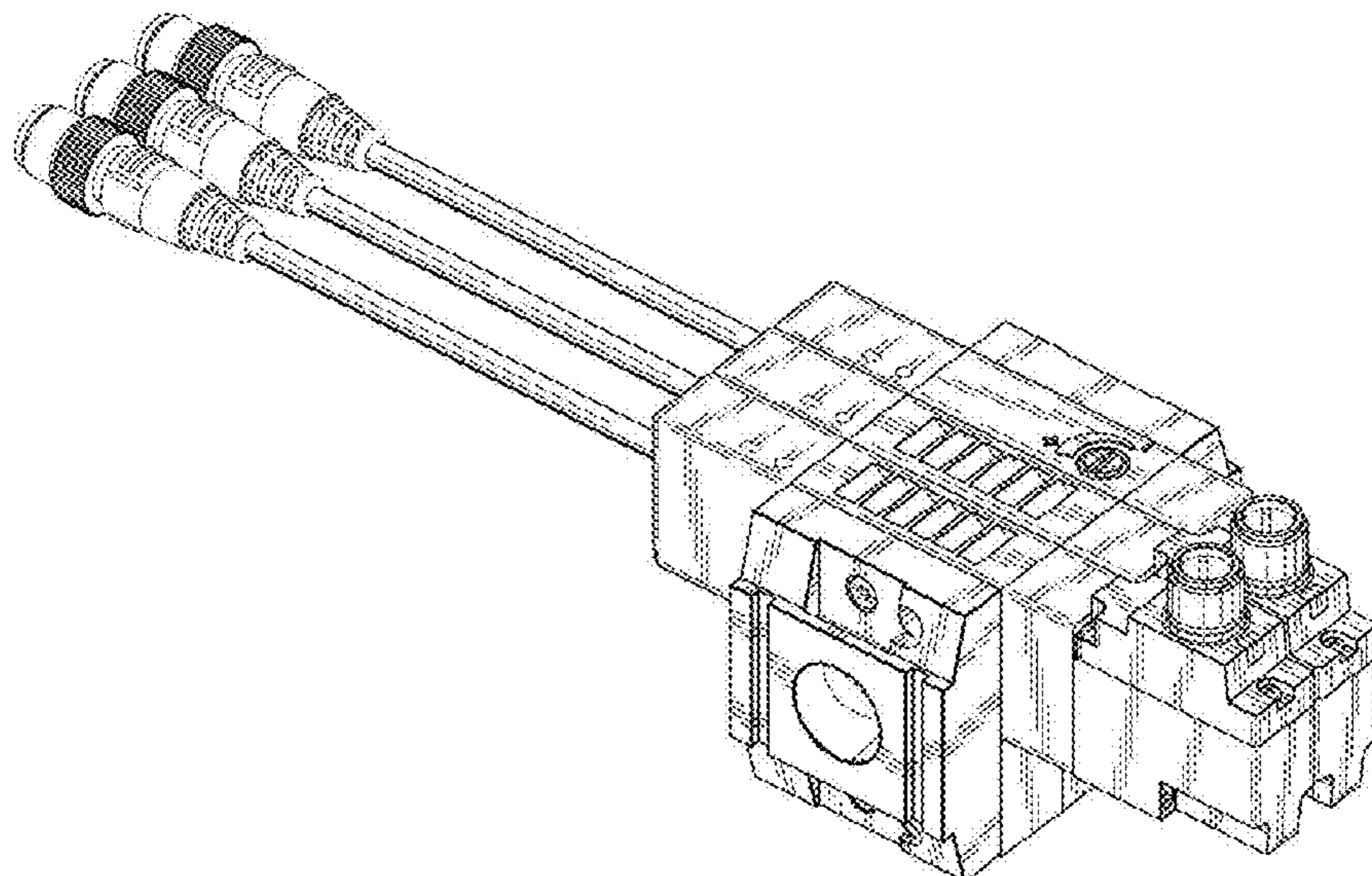
(57) **CLAIM**

The ornamental design for an electromagnetic valve, as shown and described.

DESCRIPTION

FIG. 1 is a rear, top, and left side perspective view of an electromagnetic valve;
 FIG. 2 is a front, bottom, and right side perspective view thereof;
 FIG. 3 is a front elevational view thereof;
 FIG. 4 is a rear elevational view thereof;
 FIG. 5 is a top plan view thereof;
 FIG. 6 is a bottom plan view thereof;
 FIG. 7 is a left side elevational view thereof; and,
 FIG. 8 is a right side elevational view thereof.
 The broken lines shown in the figures are for the purpose of illustrating portions of the electromagnetic valve that form no part of the claimed design.

1 Claim, 7 Drawing Sheets



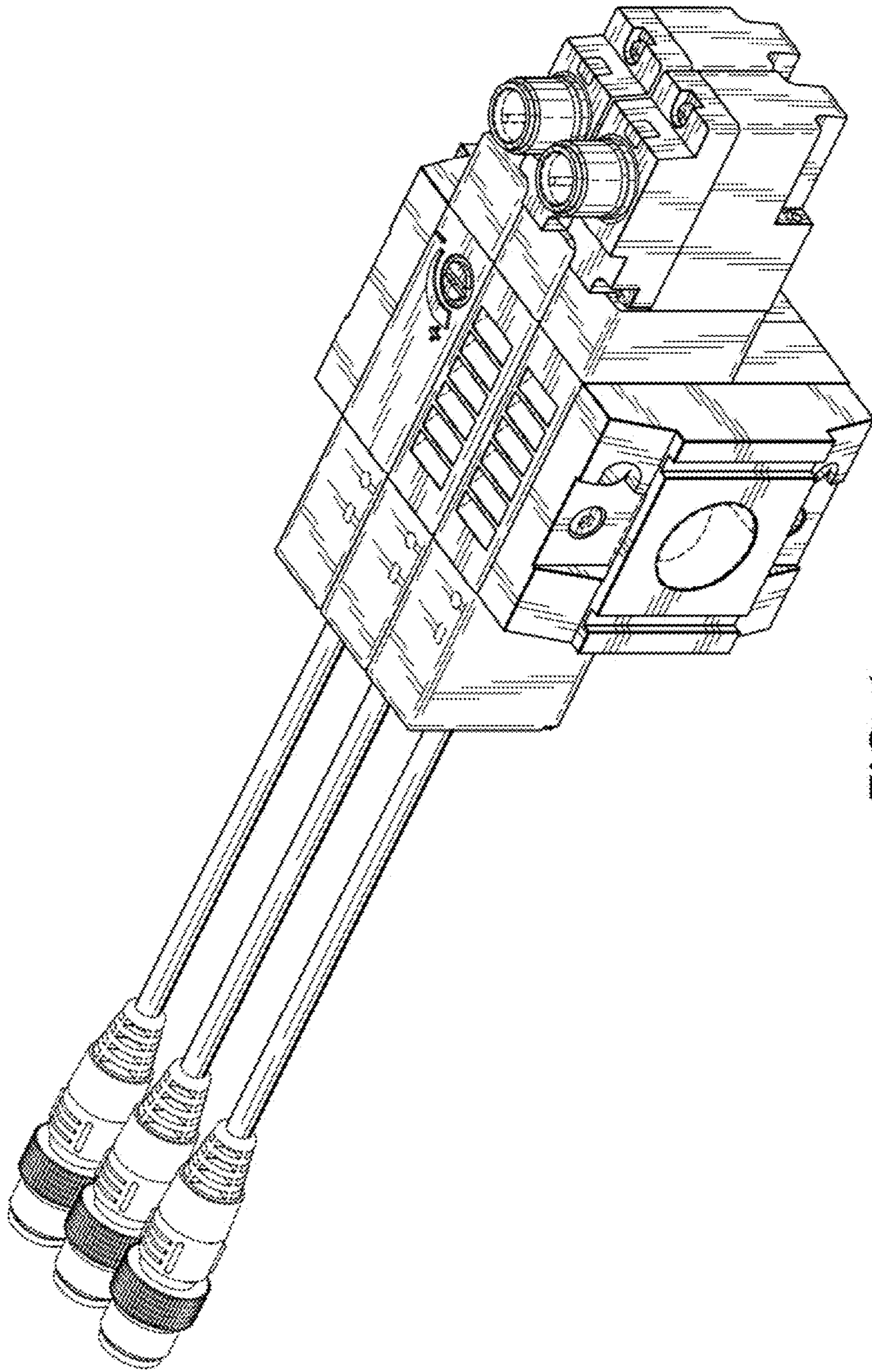


FIG. 1

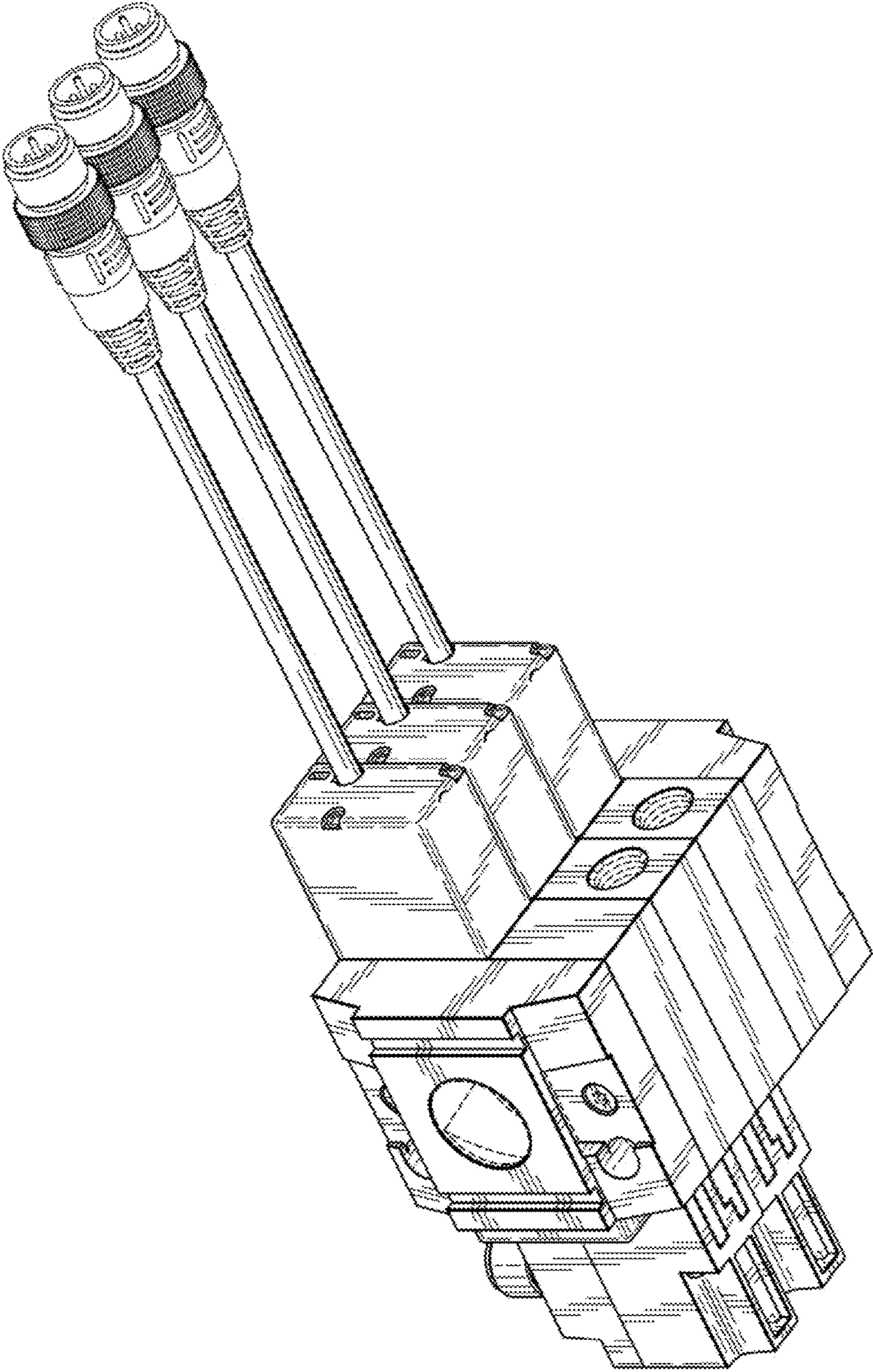


FIG. 2

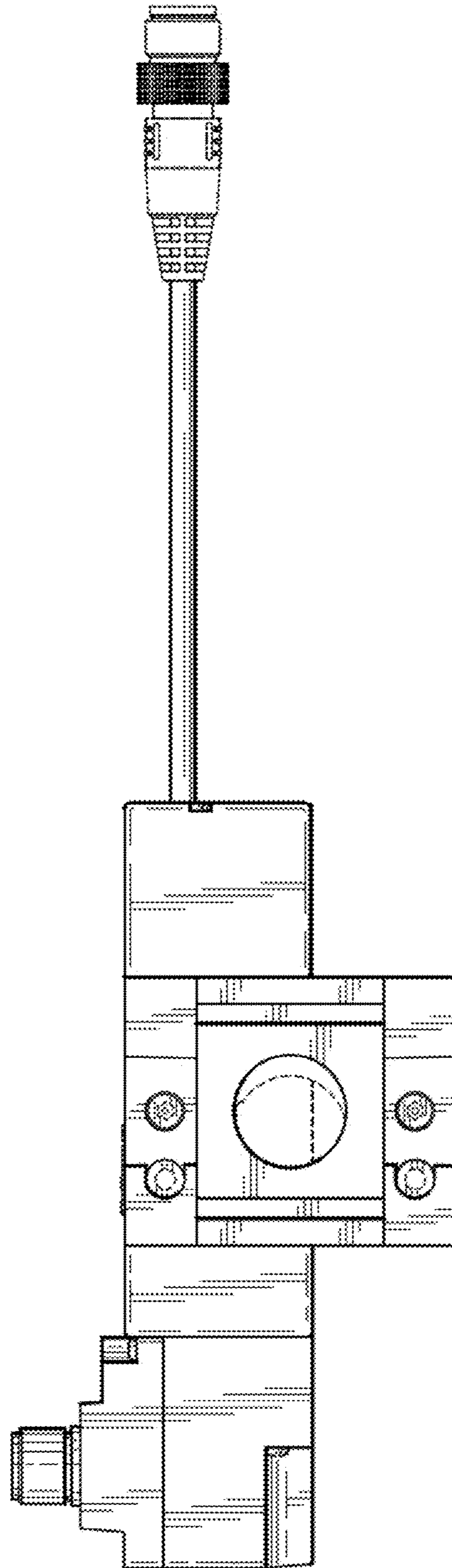


FIG. 3

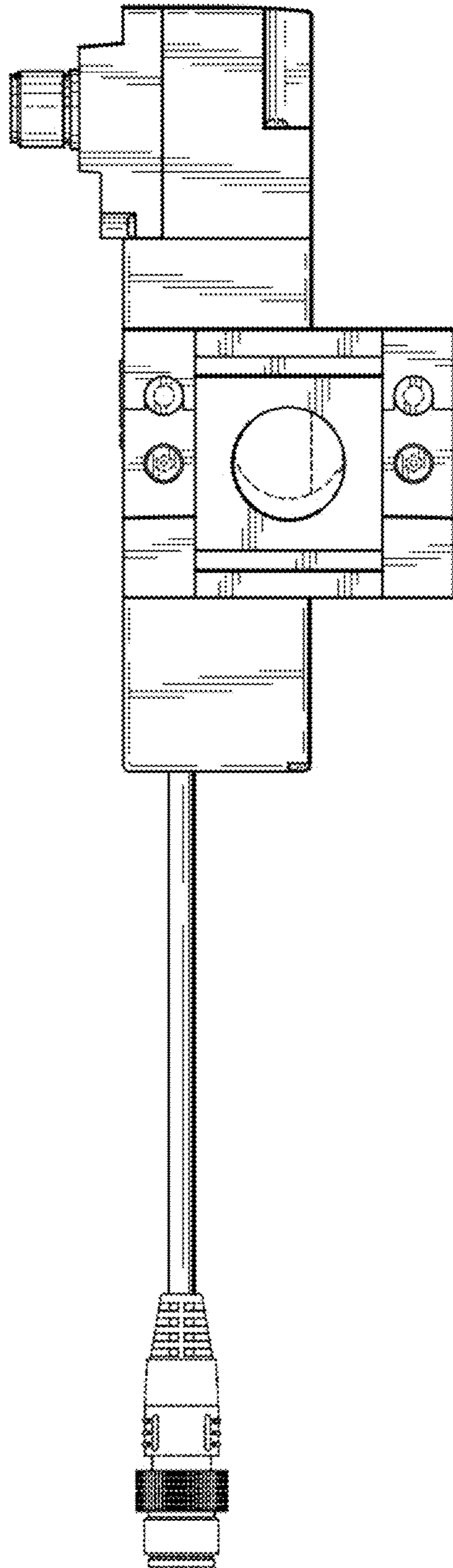


FIG. 4

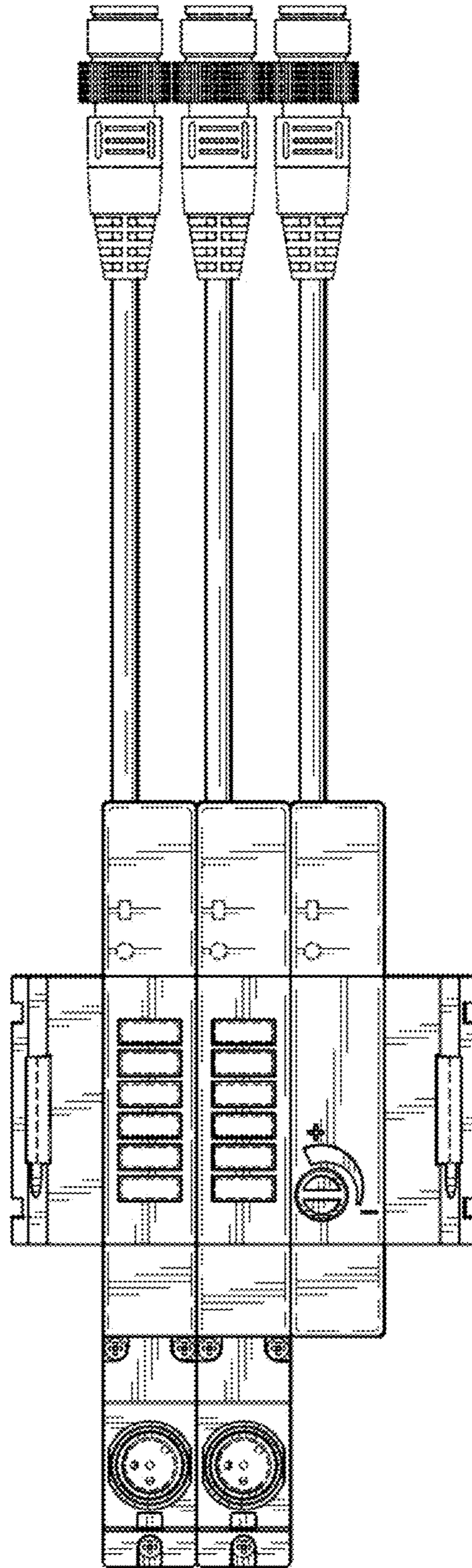


FIG. 5

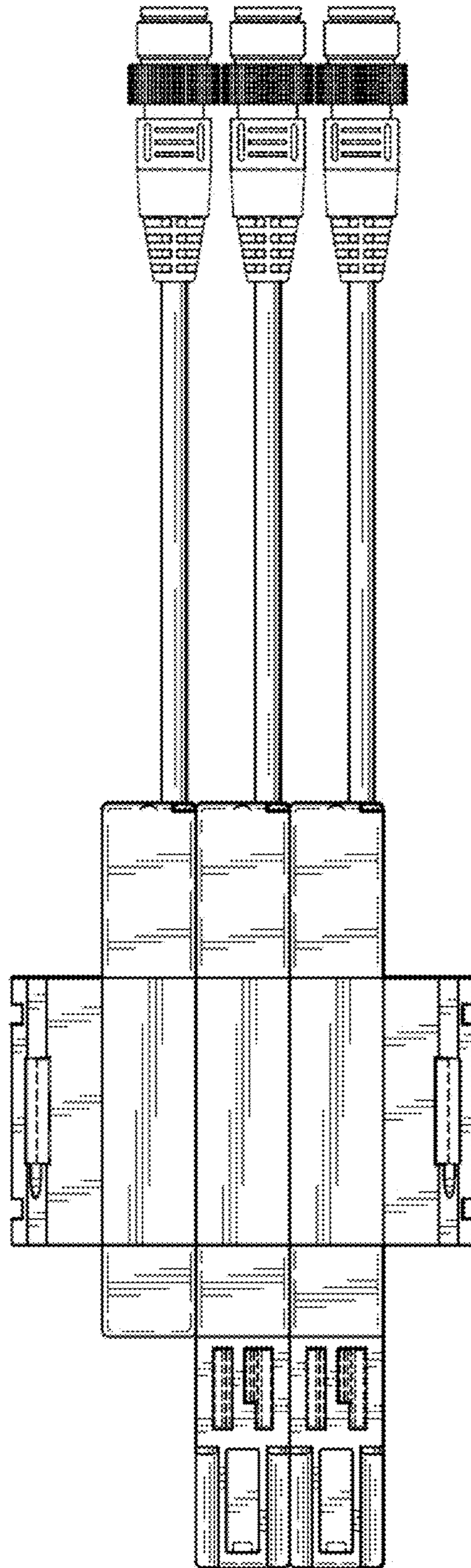


FIG. 6

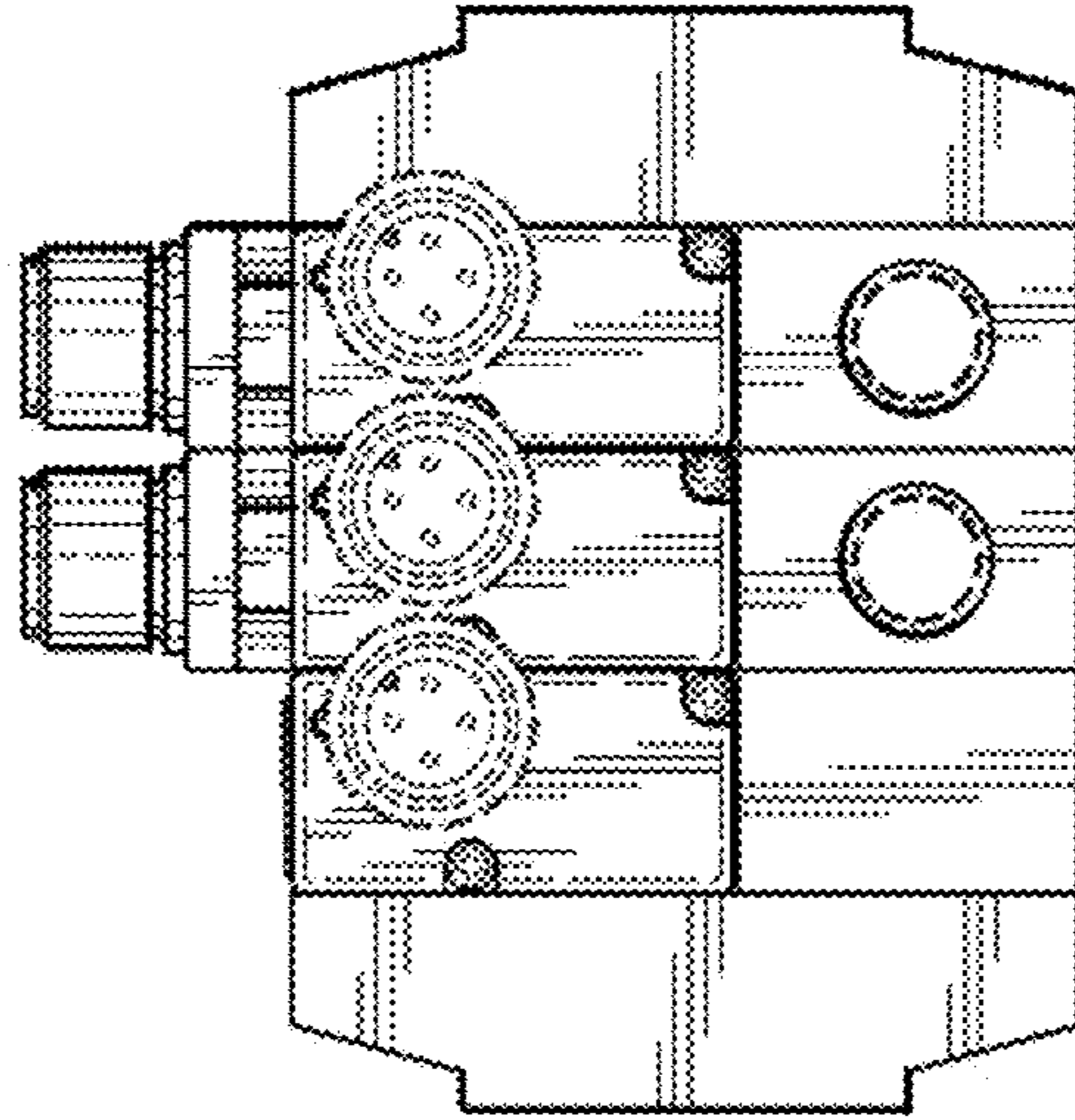


FIG. 8

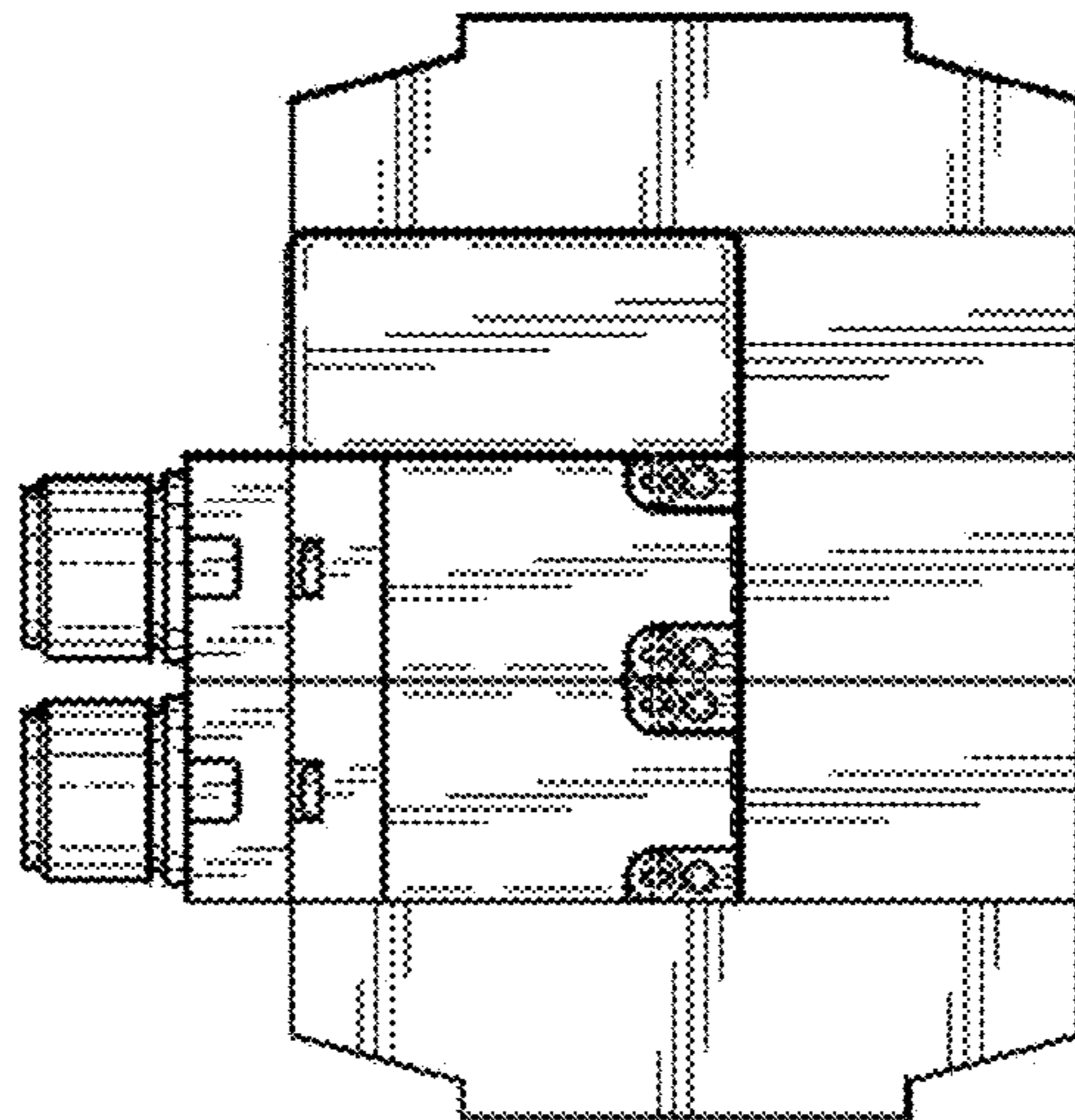


FIG. 7