



US00D935558S

(12) **United States Design Patent** (10) **Patent No.:** **US D935,558 S**
Lazarini (45) **Date of Patent:** **** Nov. 9, 2021**

(54) **HANDHELD SHOWER**

(71) Applicant: **DELTA FAUCET COMPANY,**
Indianapolis, IN (US)

(72) Inventor: **Alejandra Lazarini,** Carmel, IN (US)

(73) Assignee: **DELTA FAUCET COMPANY,**
Indianapolis, IN (US)

(**) Term: **15 Years**

(21) Appl. No.: **29/723,045**

(22) Filed: **Feb. 4, 2020**

(51) **LOC (13) Cl.** **23-01**

(52) **U.S. Cl.**
USPC **D23/226**

(58) **Field of Classification Search**
USPC D23/213, 214, 215, 223, 224, 226, 229
CPC A61H 9/0021; A61H 33/00; B05B 1/00;
B05B 1/14; B05B 1/185; B05B 1/08;
B05B 1/02; B05B 1/26; B05B 12/002;
B05B 1/18; B05B 9/01

See application file for complete search history.

(56) **References Cited**

U.S. PATENT DOCUMENTS

D599,881 S *	9/2009	Wang	D23/213
D755,346 S *	5/2016	Yan	D23/223
D841,126 S *	2/2019	Lai	D23/223
D879,245 S *	3/2020	Eads	D23/223
D879,246 S *	3/2020	Eads	D23/223
D881,340 S *	4/2020	Winter	D23/213
D901,629 S *	11/2020	Wu	D23/213
D901,632 S *	11/2020	Wu	D23/223
D901,633 S *	11/2020	Wang	D23/223
D902,346 S *	11/2020	Cocks	D23/213
D904,561 S *	12/2020	Zhu	D23/213

OTHER PUBLICATIONS

https://www.amazon.com/gp/product/B075QCH72X/ref=as_li_tl?ie=UTF8&tag=biipgf_071417_best-shower-heads-20&camp=1789

&creative=9325&linkCode=as2&creativeASIN=B075QCH72X
&linkId=8d17a44327a95e11012bf4b9a5b8205c (Year: 2017).*
KAIYING Chrome High Pressure Handheld Shower Head, Dec. 9,
2020, Amazon.com. Jul. 13, 2021, URL: <https://www.amazon.com/KAIYING-Pressure-Handheld-Removable-Adjustable/dp/B08Q3FRW6S/> (Year: 2020).*
NNEWSP High Pressure Handheld Shower Head, Feb. 3, 2021,
Amazon.com, Jul. 13, 2021, URL: https://www.amazon.com/dp/B08VRZ328F/ref=sbl_dp_x_B08Q3FRW6S_0 (Year: 2021).*
DreamSpa Ultra-Luxury 9" Rainfall Shower Head/Handheld Combo,
Mar. 21, 2016, Amazon.com, Jul. 13, 2021, URL: <https://www.amazon.com/Ultra-Luxury-Convenient-Push-Button-one-handed-operation/dp/B019NCXIKE> (Year: 2016).*

* cited by examiner

Primary Examiner — Jack Reickel

Assistant Examiner — Keith J Wilson

(74) *Attorney, Agent, or Firm* — Nirav D. Parikh; Edgar
A. Zarins

(57) **CLAIM**

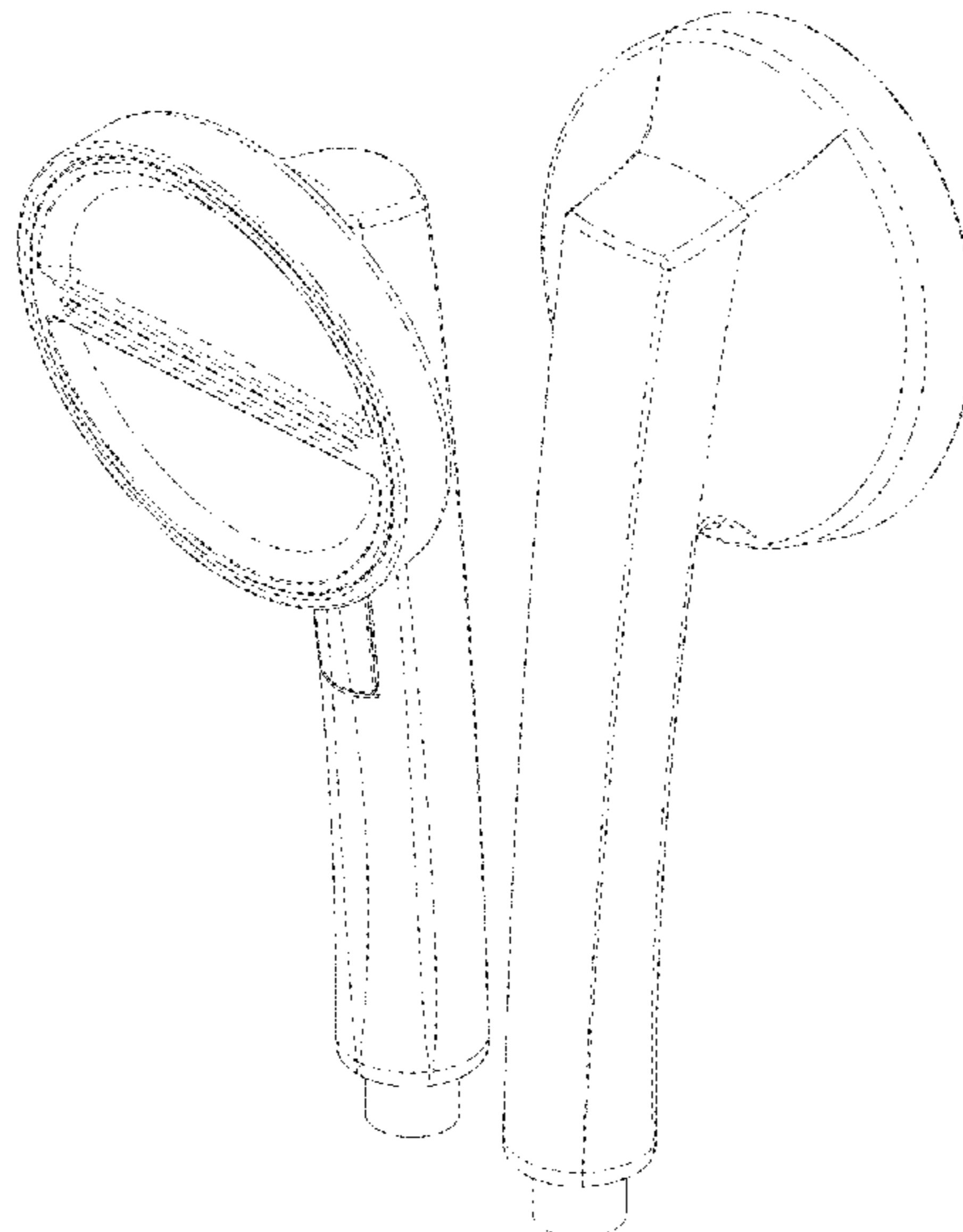
The ornamental design for a handheld shower, as shown and described.

DESCRIPTION

FIG. 1 is a front perspective view of a handheld shower showing my new design;
FIG. 2 is a rear perspective view thereof;
FIG. 3 is a front elevational view thereof;
FIG. 4 is a left side view thereof;
FIG. 5 is a rear view thereof;
FIG. 6 is a right side view thereof;
FIG. 7 is a top plan view thereof; and,
FIG. 8 is a bottom view.

The broken lines represent portions of a handheld shower and form no part of the claimed design.

1 Claim, 4 Drawing Sheets



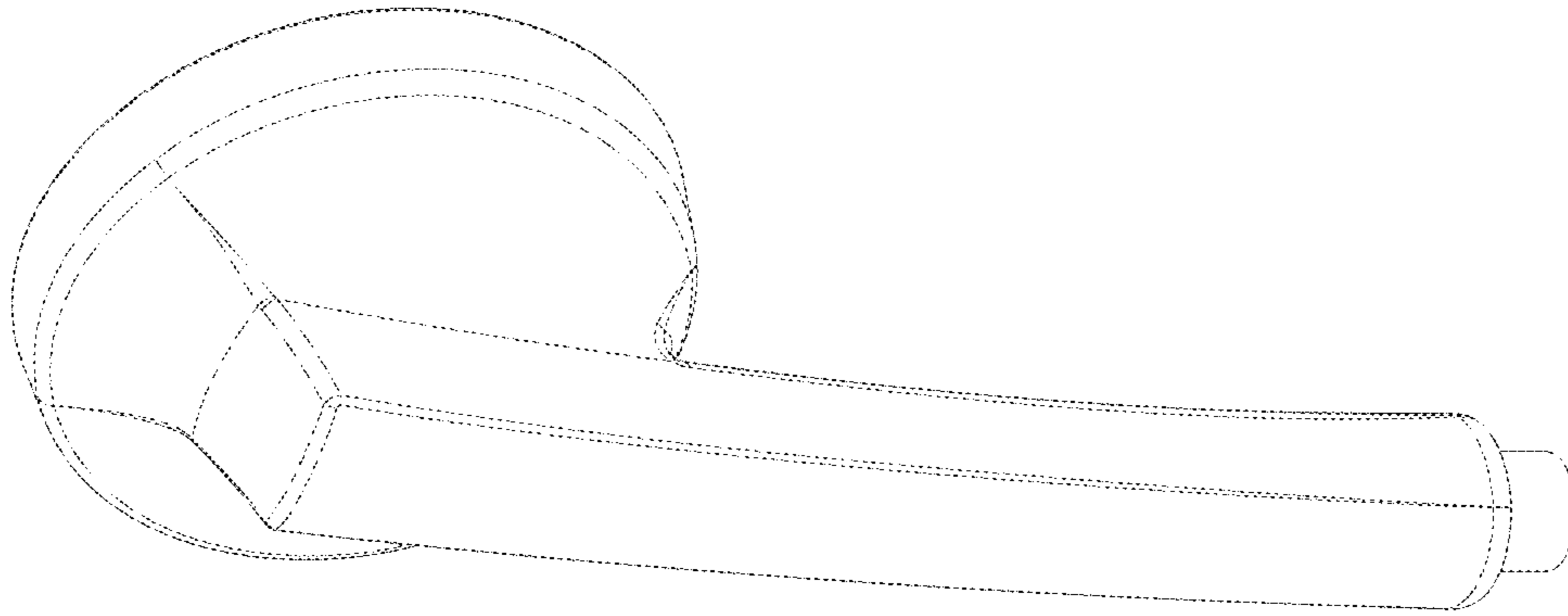


FIG - 2

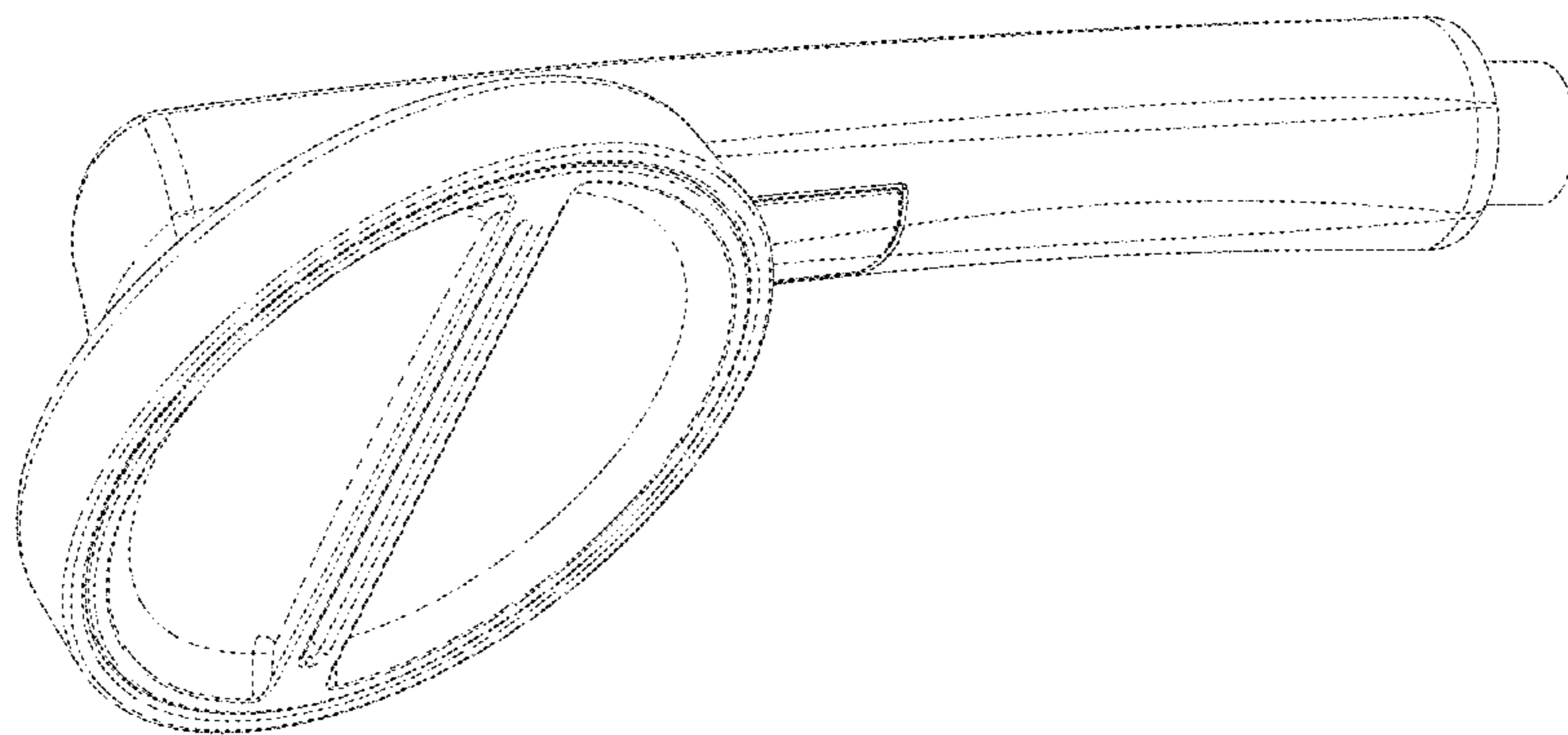


FIG - 1

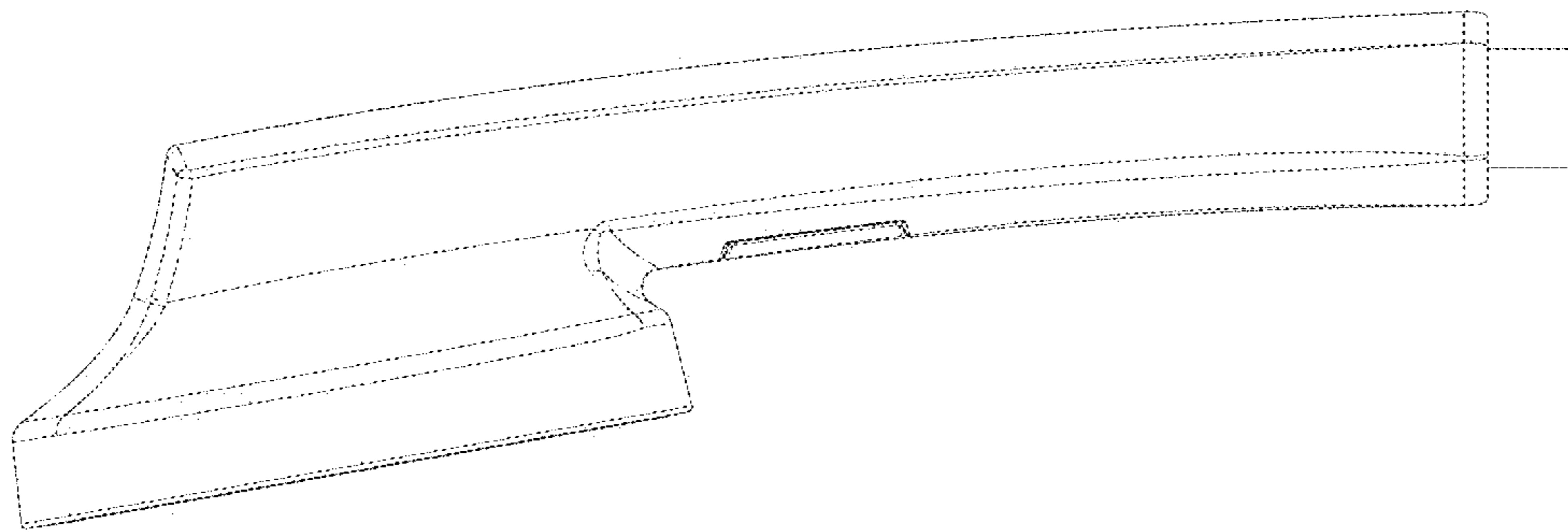


FIG. 4

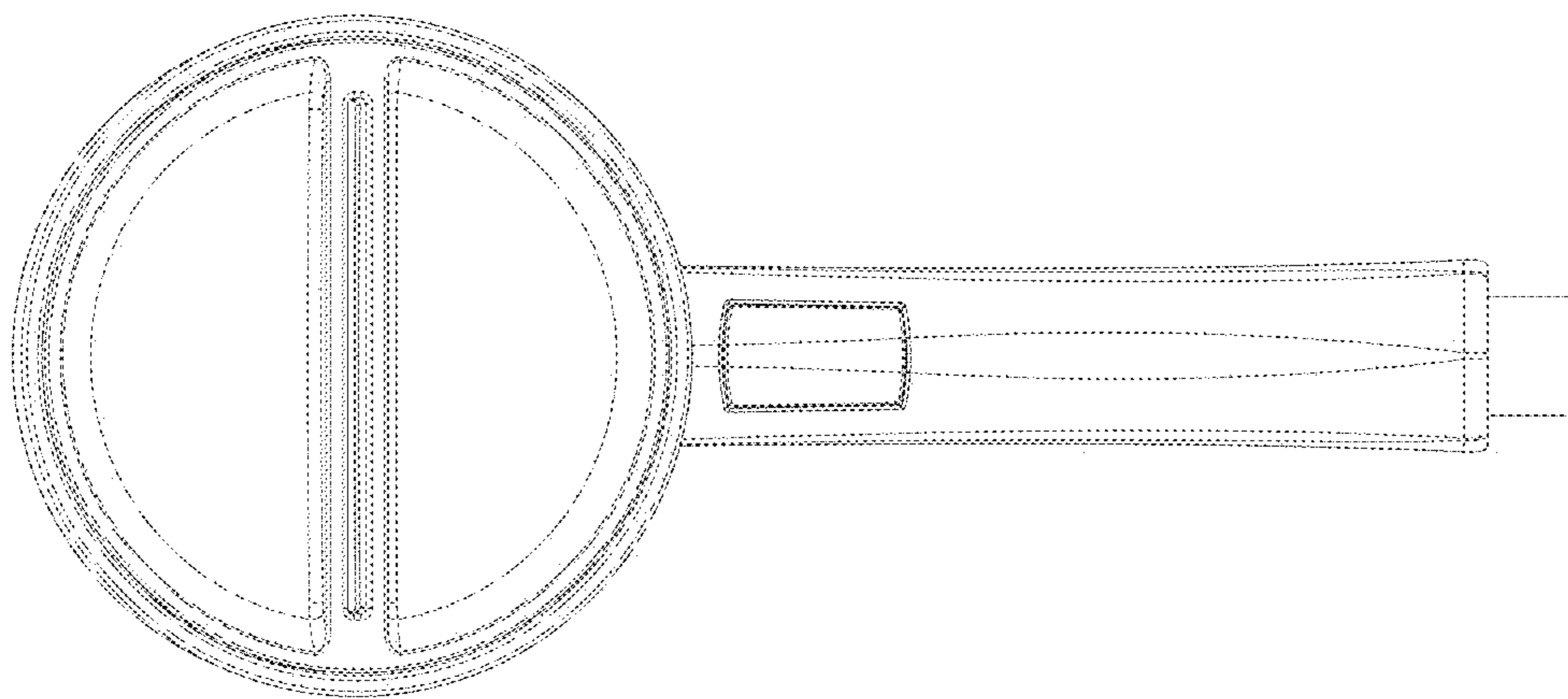


FIG. 3

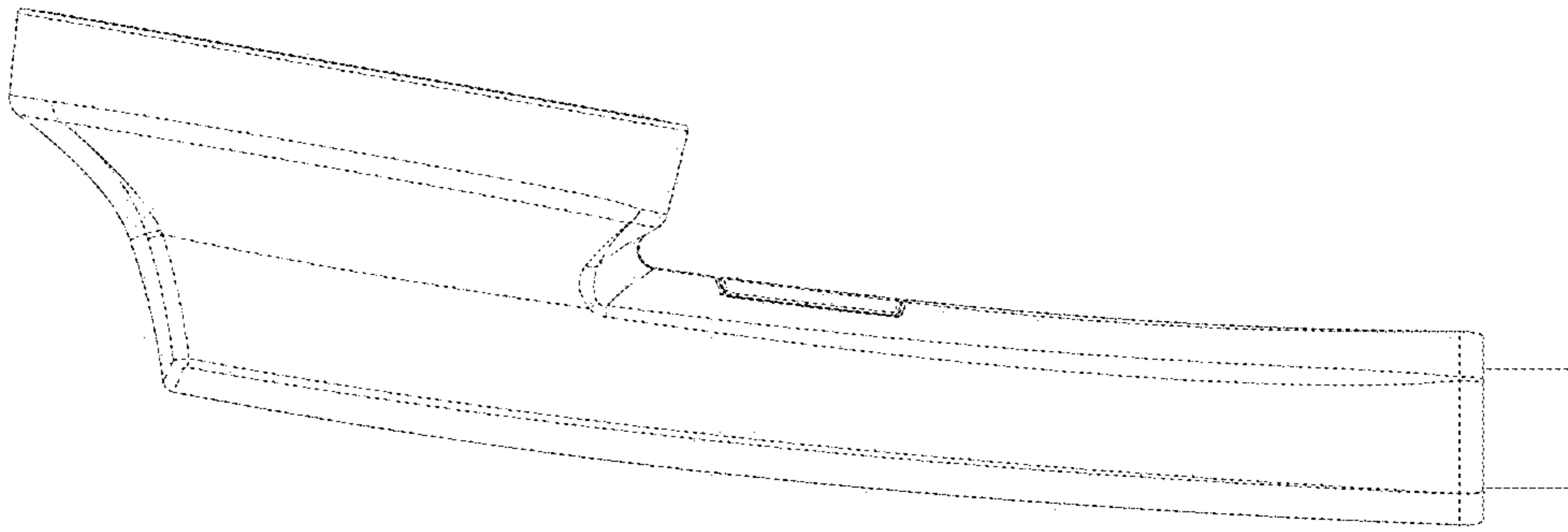


FIG - 6

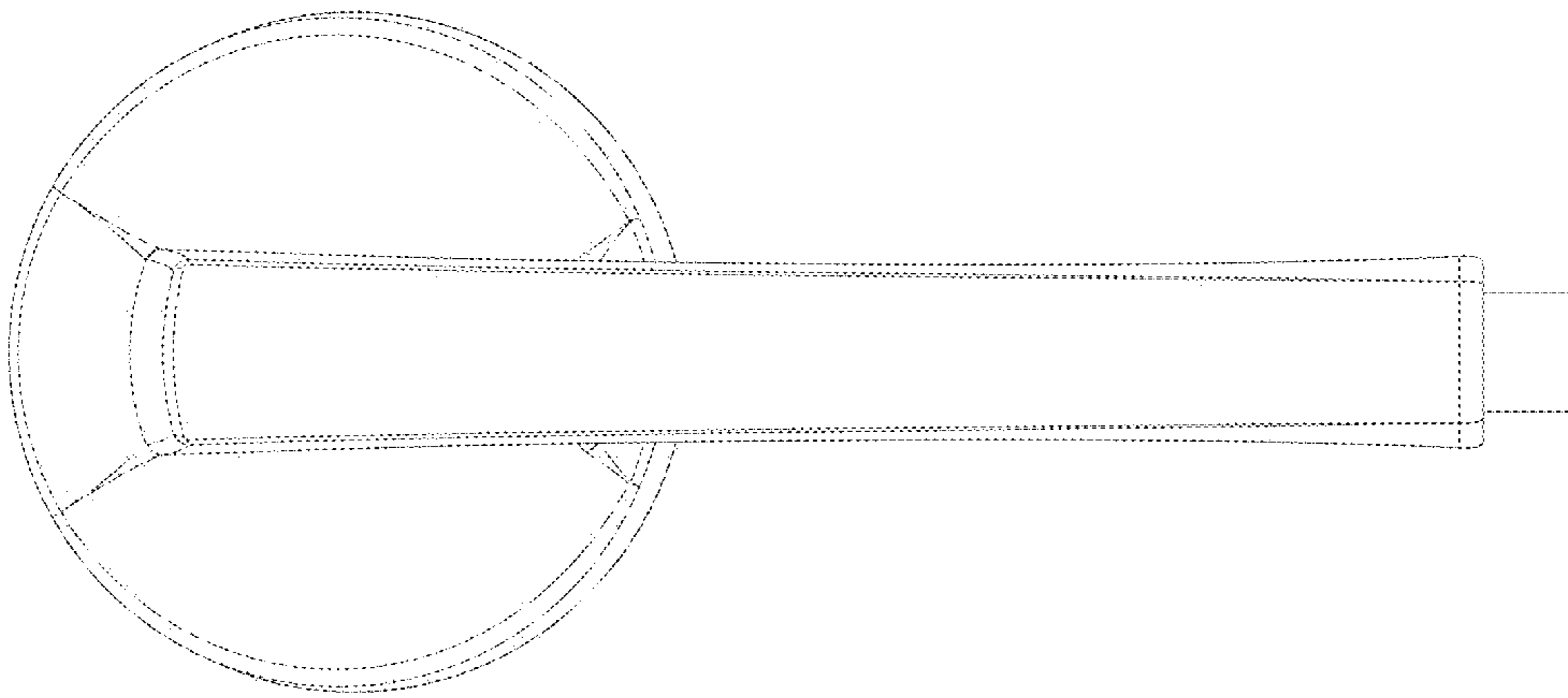


FIG - 5

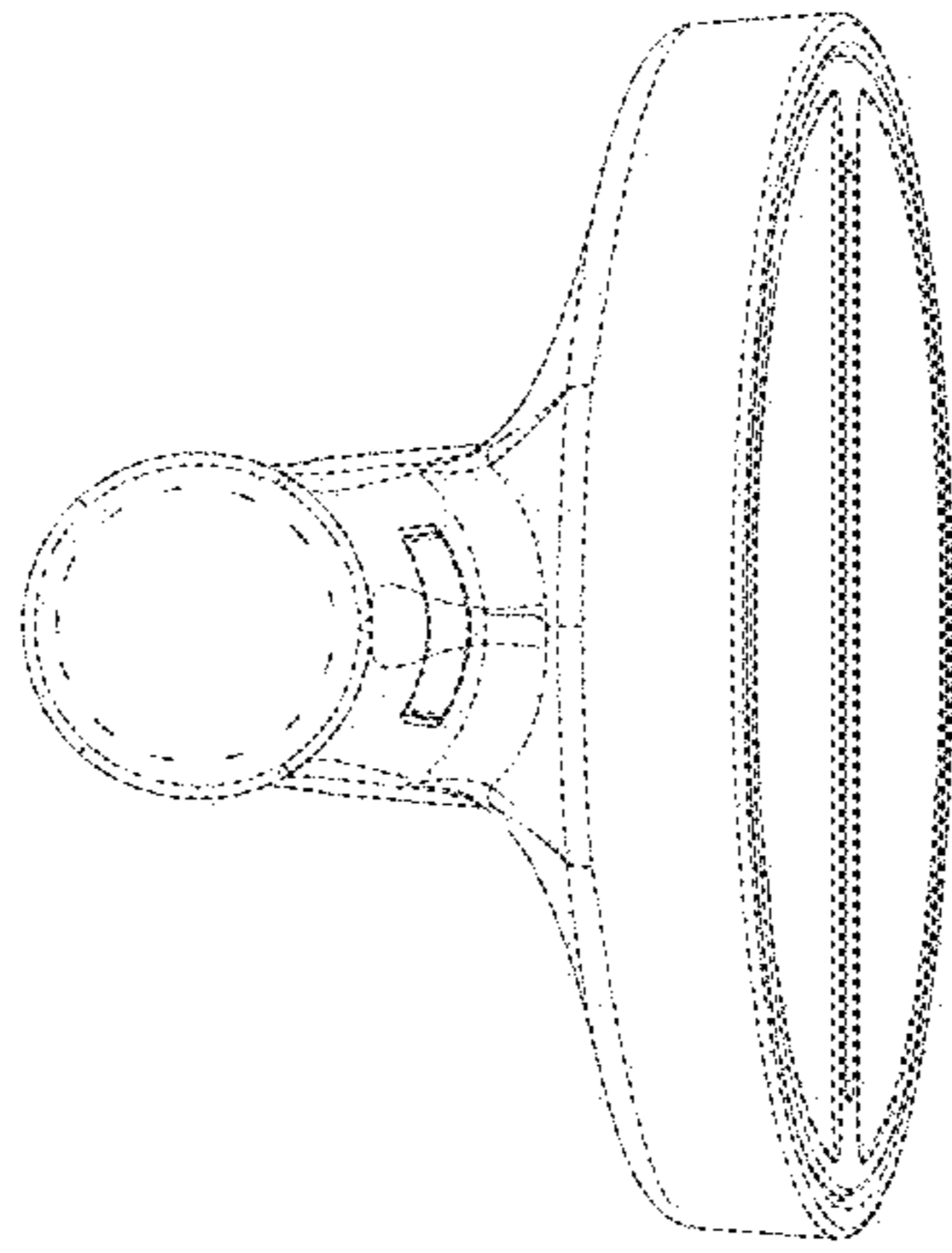


FIG - 8

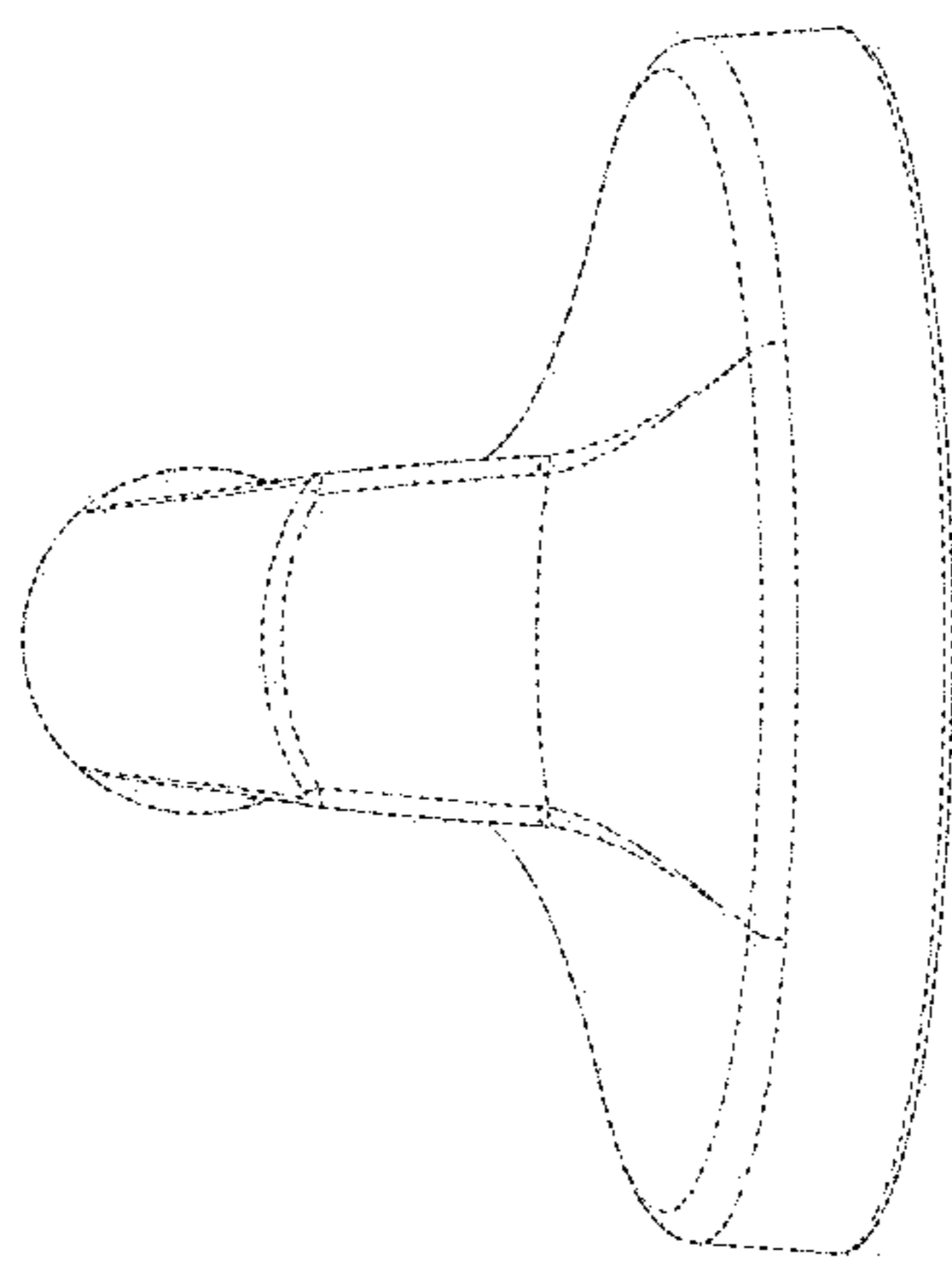


FIG - 7