



US00D935557S

(12) **United States Design Patent** (10) **Patent No.:** **US D935,557 S**  
**Yan** (45) **Date of Patent:** **\*\* Nov. 9, 2021**

(54) **SHOWER HEAD**  
(71) Applicant: **Xiamen Galenpoo Kitchen & Bathroom Technology Co., Ltd.,**  
Xiamen (CN)  
(72) Inventor: **Xiaoling Yan,** Xiamen (CN)  
(\*\*) Term: **15 Years**  
(21) Appl. No.: **29/796,178**  
(22) Filed: **Jun. 23, 2021**  
(51) **LOC (13) Cl.** ..... **23-01**  
(52) **U.S. Cl.**  
USPC ..... **D23/213**  
(58) **Field of Classification Search**  
USPC ..... D23/213–215, 223–224, 226, 229, 222,  
D23/232, 234  
CPC ..... A61H 9/0021; A61H 33/00; B05B 1/00;  
B05B 1/14; B05B 1/185; B05B 1/08;  
B05B 1/02; B05B 1/26; B05B 12/002;  
B05B 1/18; B05B 9/01  
See application file for complete search history.

(56) **References Cited**  
U.S. PATENT DOCUMENTS  
D422,336 S \* 4/2000 Haverstraw ..... D23/223  
D451,980 S \* 12/2001 Lindholm ..... D23/223  
D466,185 S \* 11/2002 Tse ..... D23/223  
D601,222 S \* 9/2009 Tse ..... D23/223  
D617,419 S \* 6/2010 Lee ..... D23/223  
D670,358 S \* 11/2012 Bai ..... D23/223  
D889,603 S \* 7/2020 Wu ..... D23/223  
D907,743 S \* 1/2021 Wu ..... B05B 1/18  
D23/213

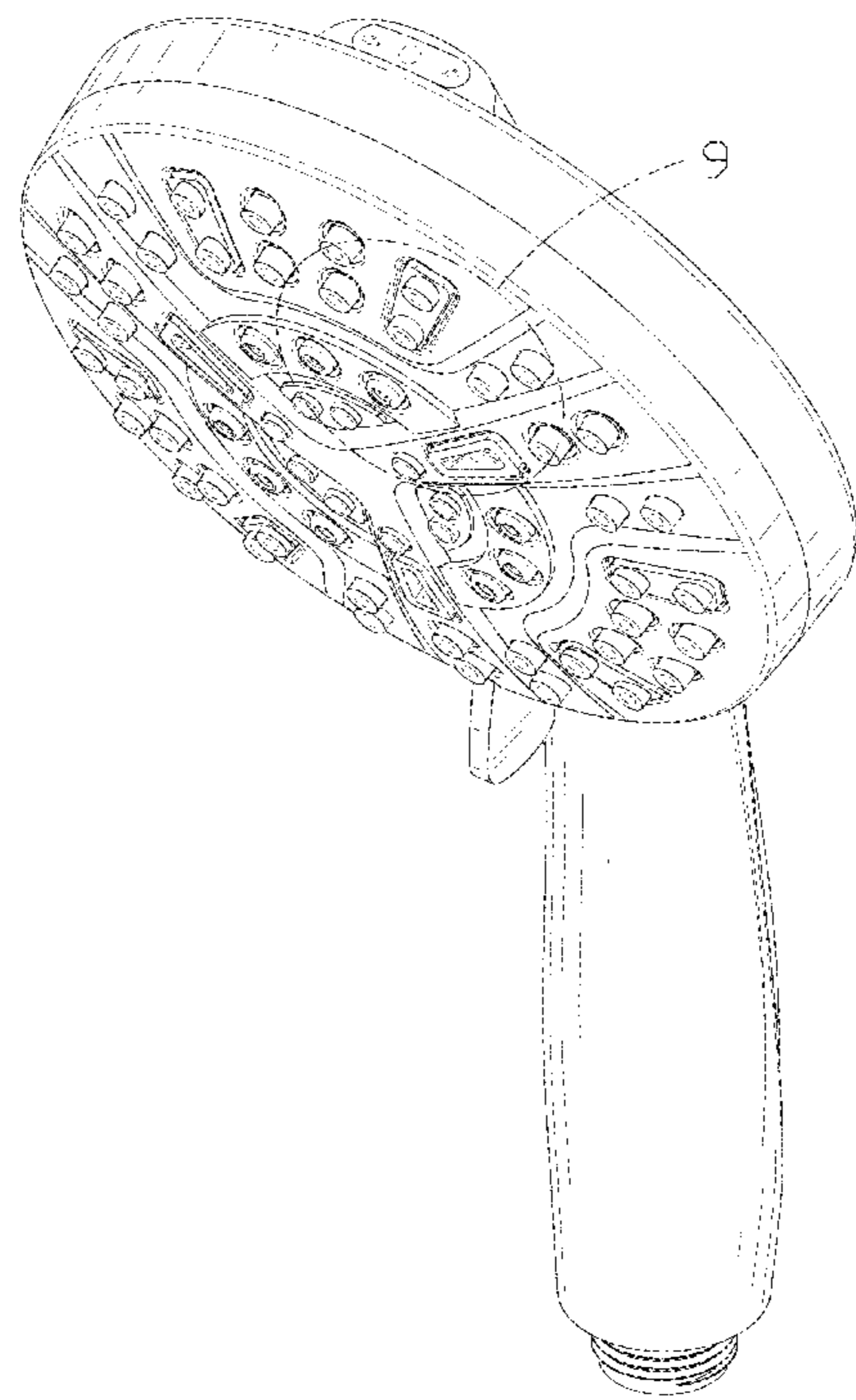
D908,840 S \* 1/2021 Wu ..... D23/223  
D913,419 S \* 3/2021 Ladwig ..... B05B 1/185  
D23/223  
D917,663 S \* 4/2021 Yan ..... D23/223  
D922,522 S 6/2021 Lin et al.  
2016/0214122 A1\* 7/2016 Yu ..... B05B 1/18  
2020/0376505 A1\* 12/2020 Peterson ..... B05B 1/185

\* cited by examiner  
*Primary Examiner* — Karen S Acker  
*Assistant Examiner* — Jonathan E Fiencke

(57) **CLAIM**  
The ornamental design for a shower head, as shown and described.

**DESCRIPTION**  
FIG. 1 is a front and top perspective view of a shower head, showing my new design;  
FIG. 2 is a rear and bottom perspective view thereof;  
FIG. 3 is a front elevation view thereof;  
FIG. 4 is a rear elevation view thereof;  
FIG. 5 is a left side elevation view thereof;  
FIG. 6 is a right side elevation view thereof;  
FIG. 7 is a top plan view thereof;  
FIG. 8 is a bottom plan view thereof  
FIG. 9 is an enlarged detail view of area 9 circumscribed within FIG. 1; and,  
FIG. 10 is an enlarged detail view of area 10 circumscribed within FIG. 2.  
The evenly spaced broken lines and all areas within depict portions of the shower head that form no part of the claimed design. The dot dash dot broken lines in FIGS. 1, 2, 9 and 10 depict the boundaries of the enlarged detail views and form no part of the claimed design.

**1 Claim, 10 Drawing Sheets**



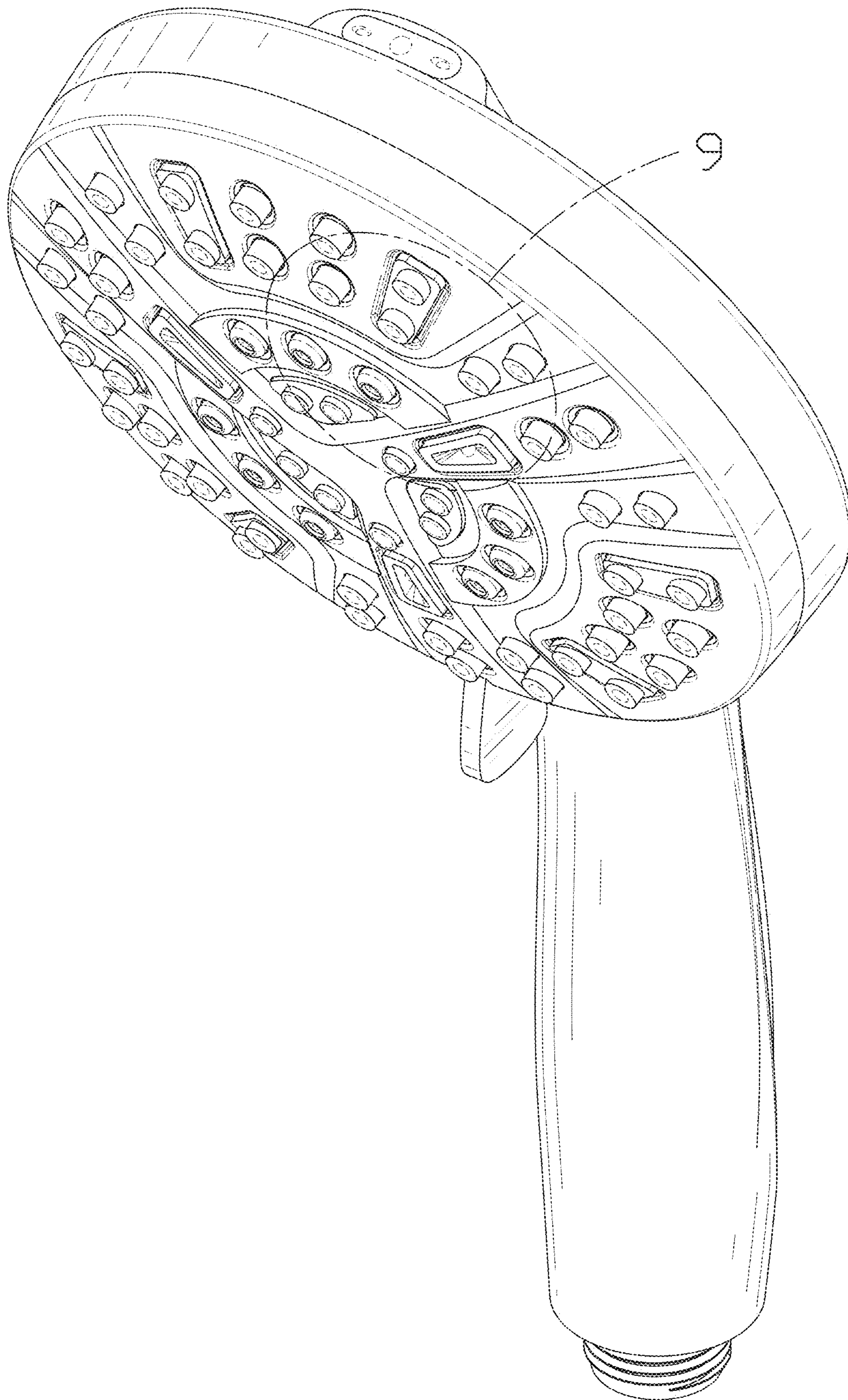


FIG. 1



FIG. 2



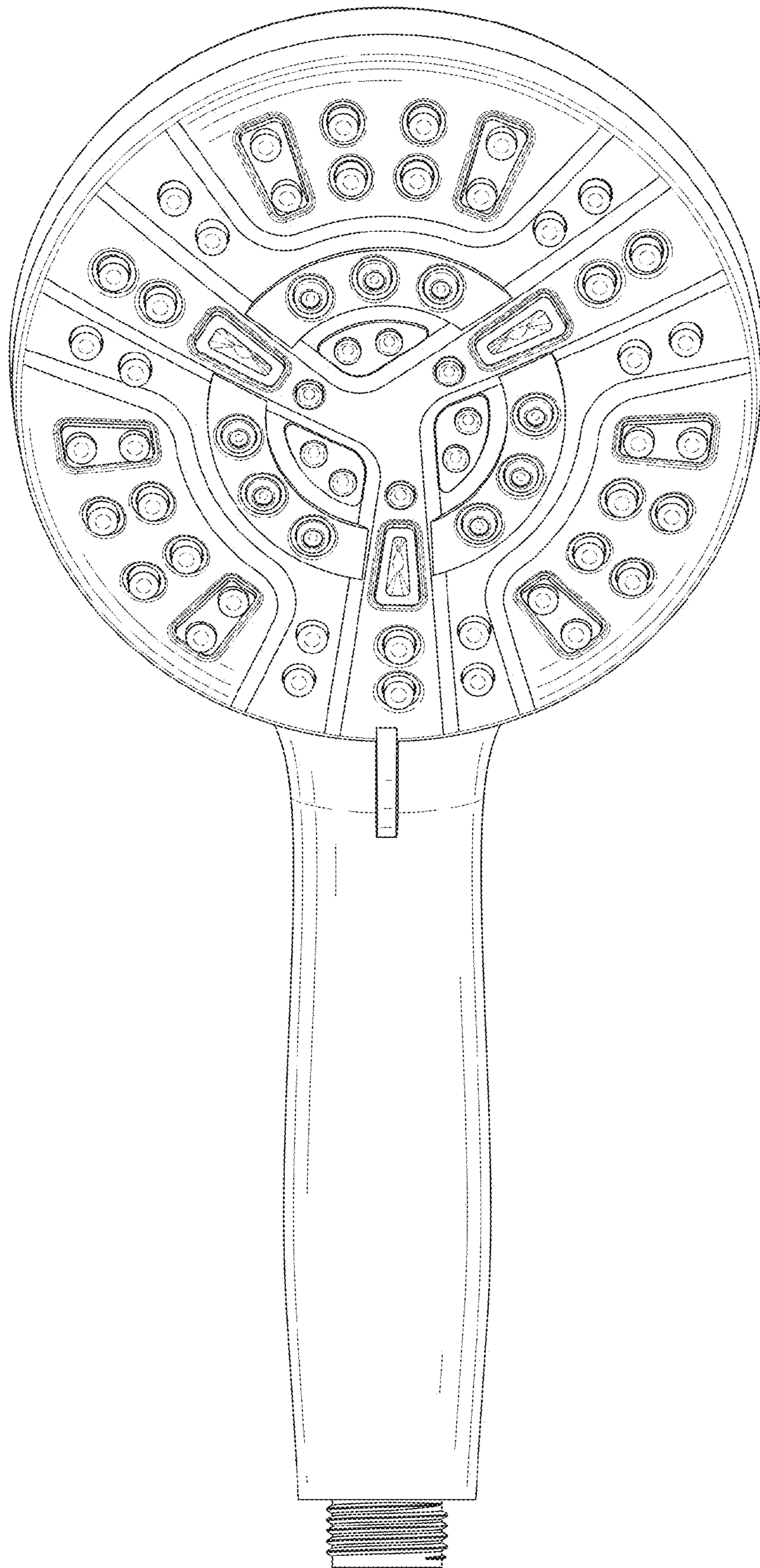


FIG. 3

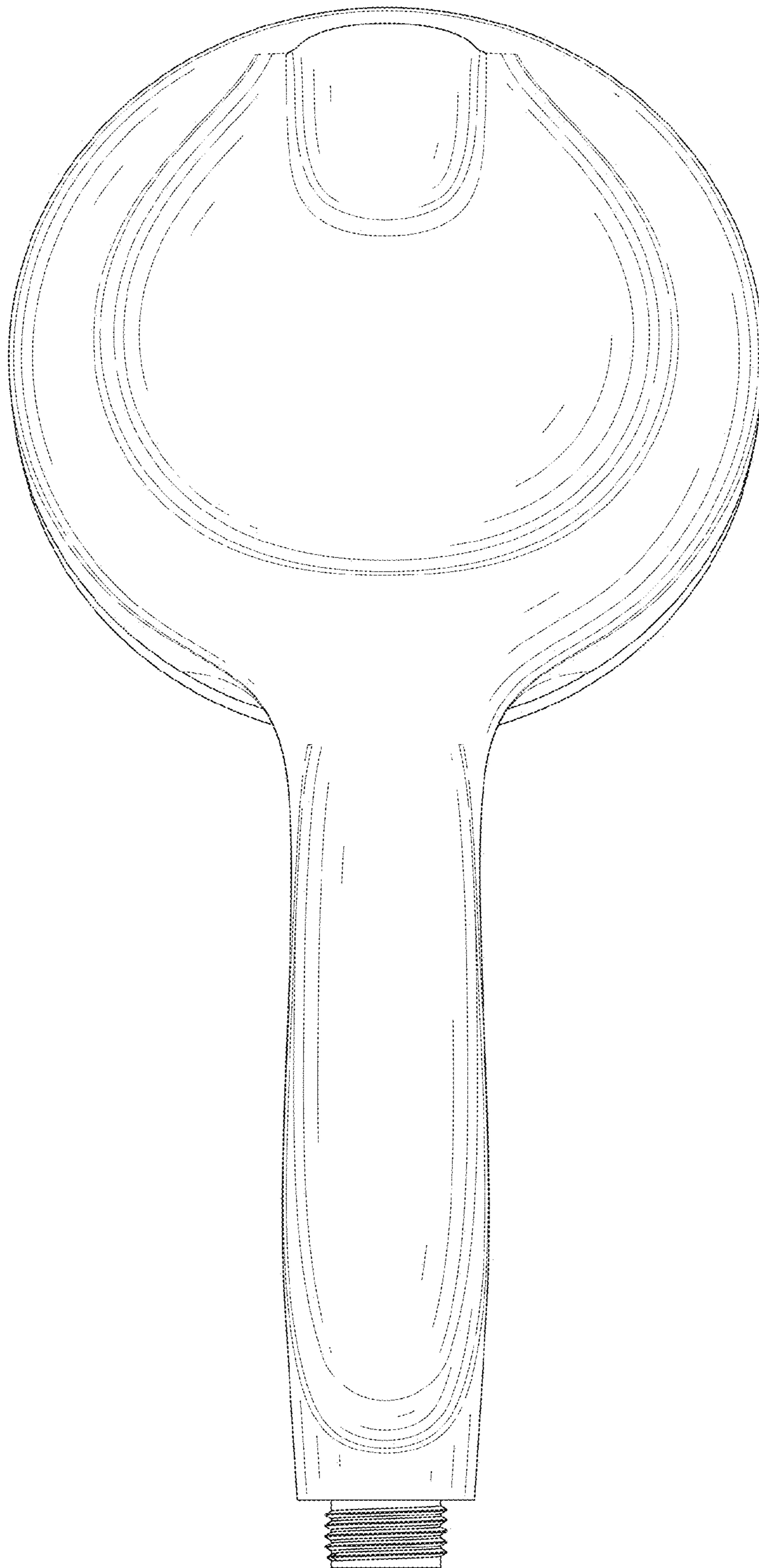


FIG. 4

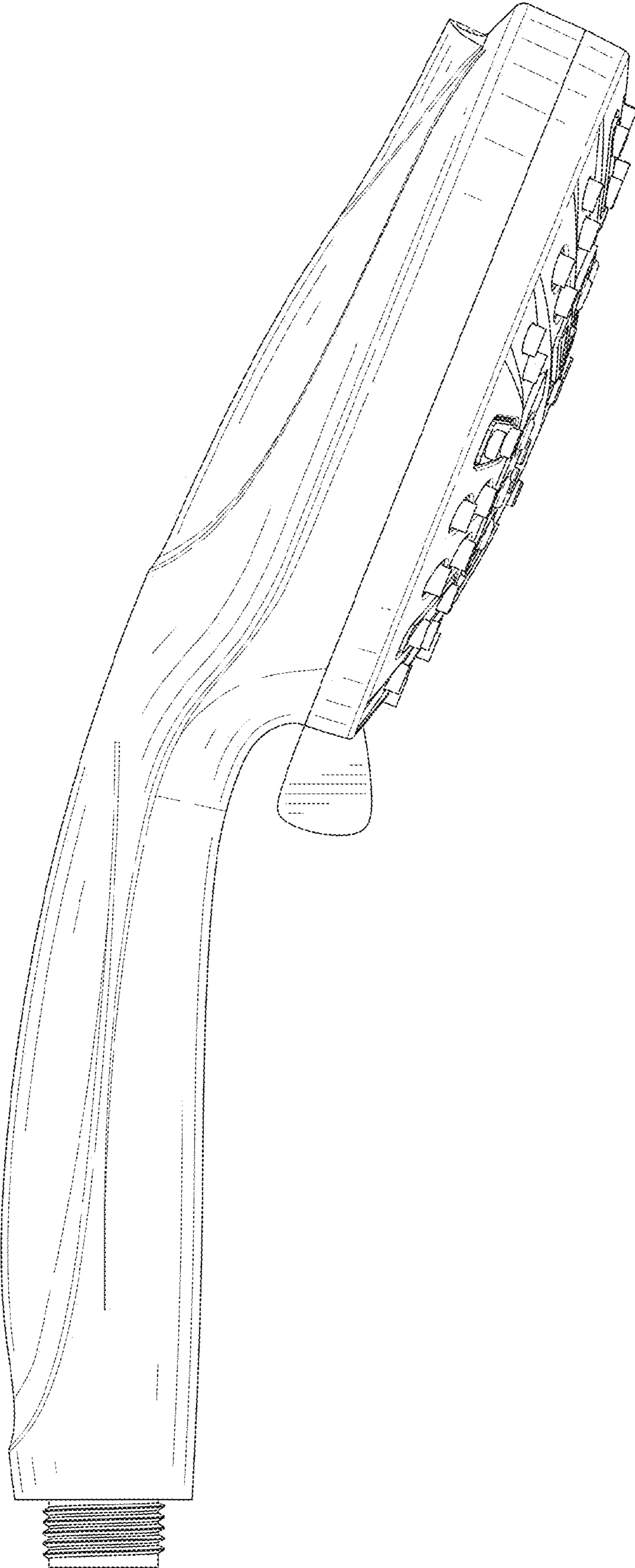


FIG. 5

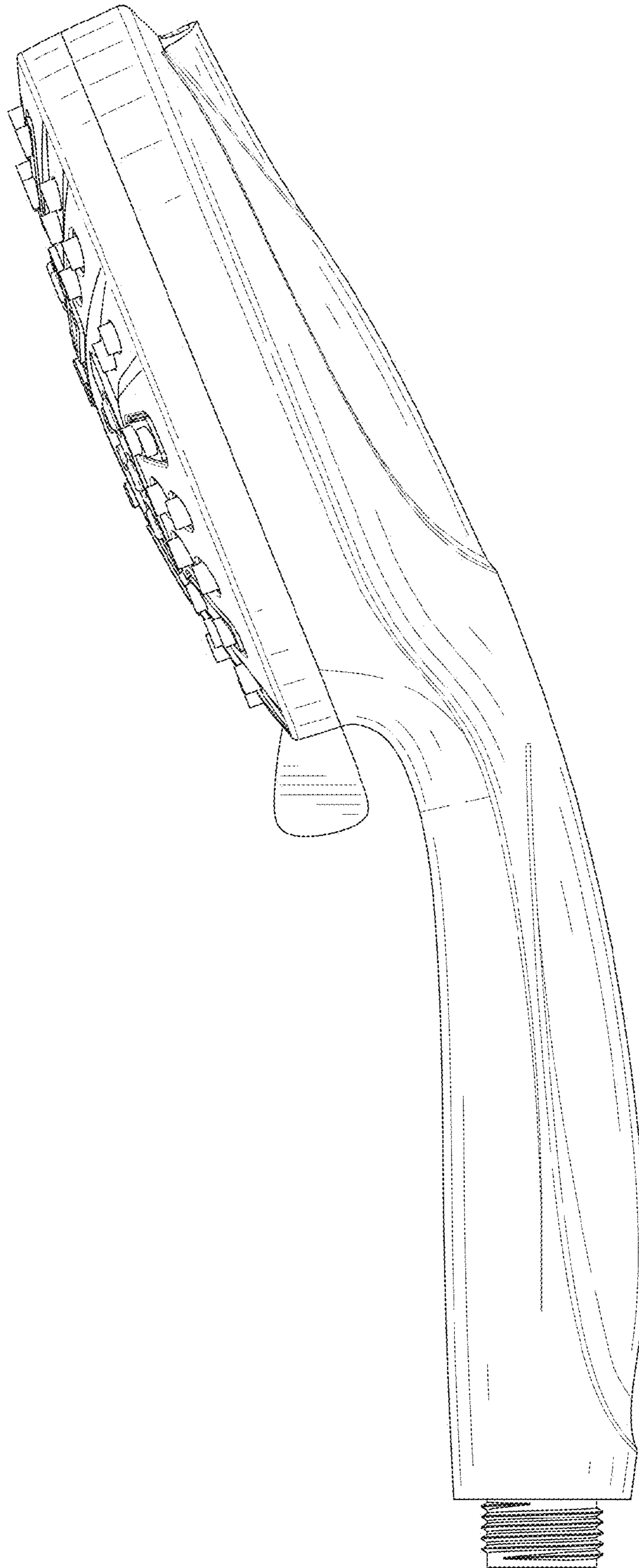


FIG. 6



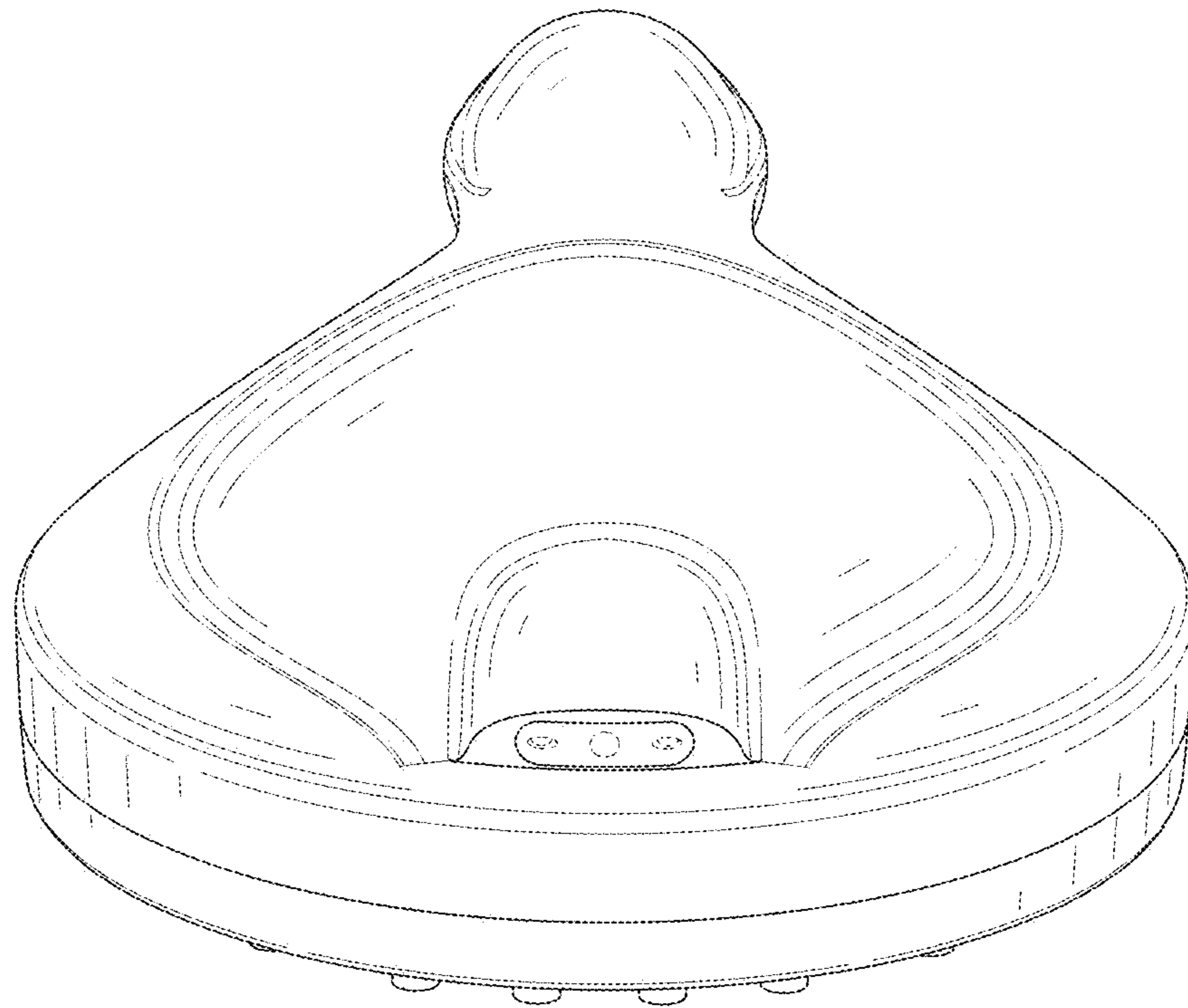


FIG. 7



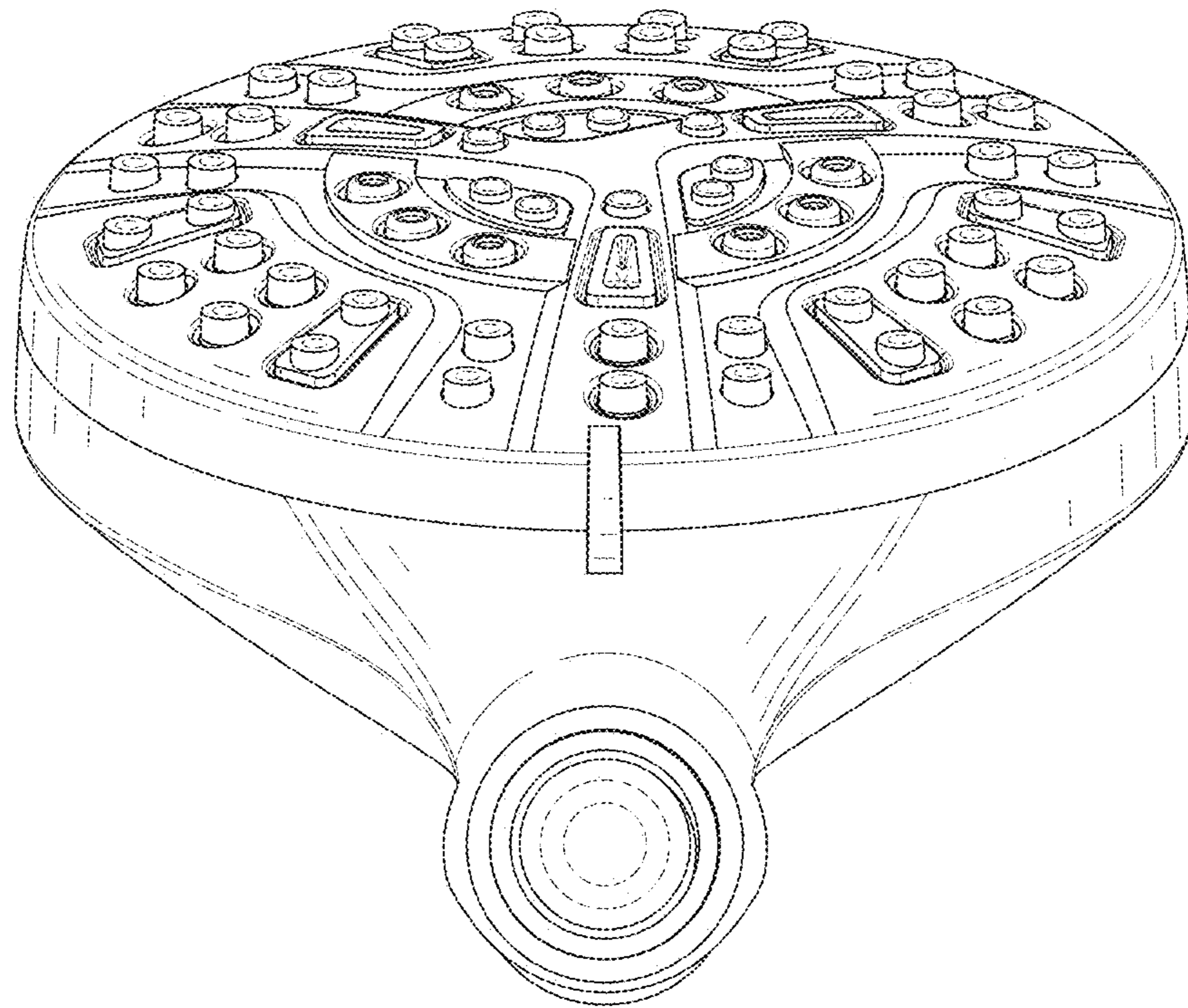


FIG. 8

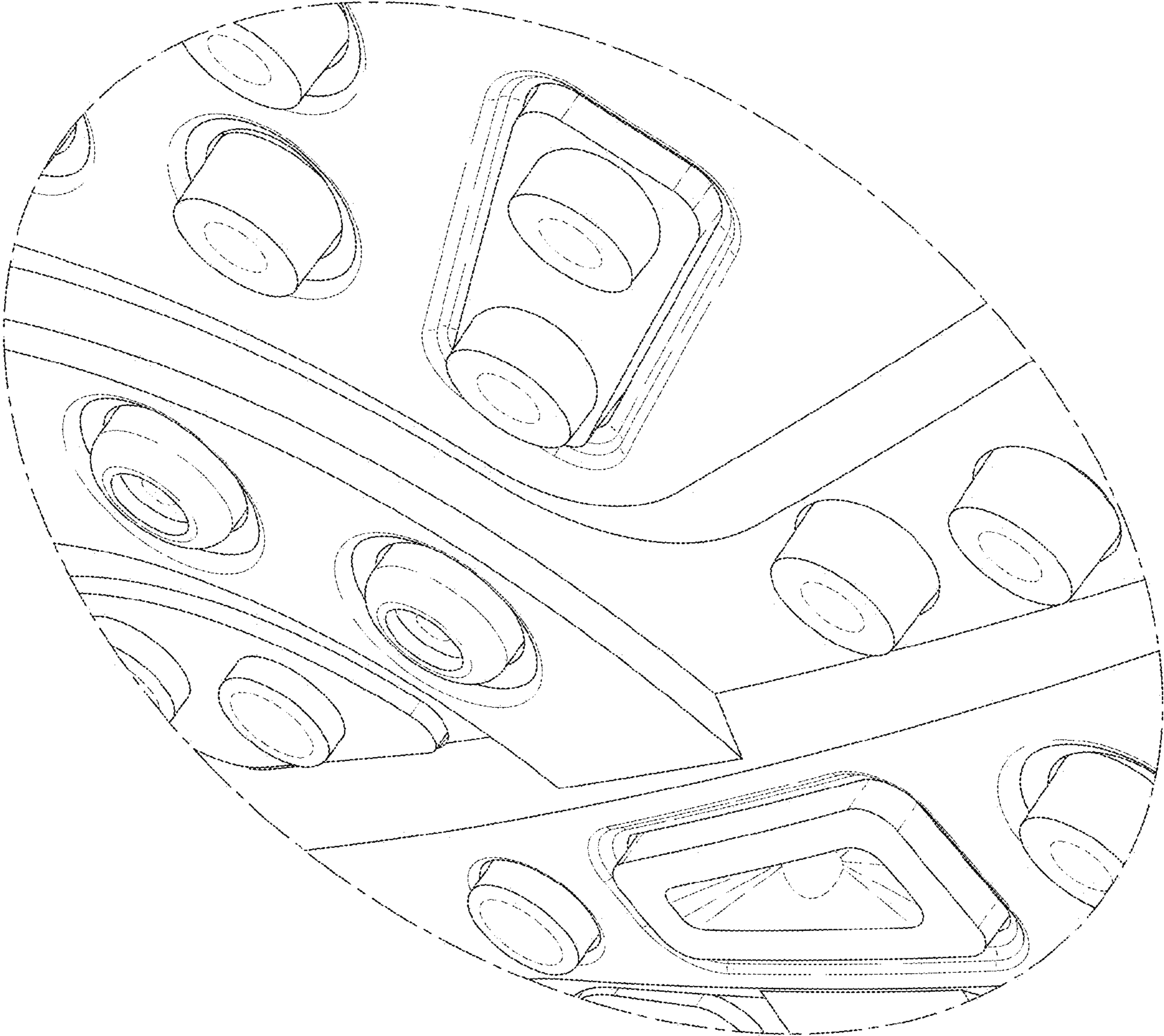


FIG. 9

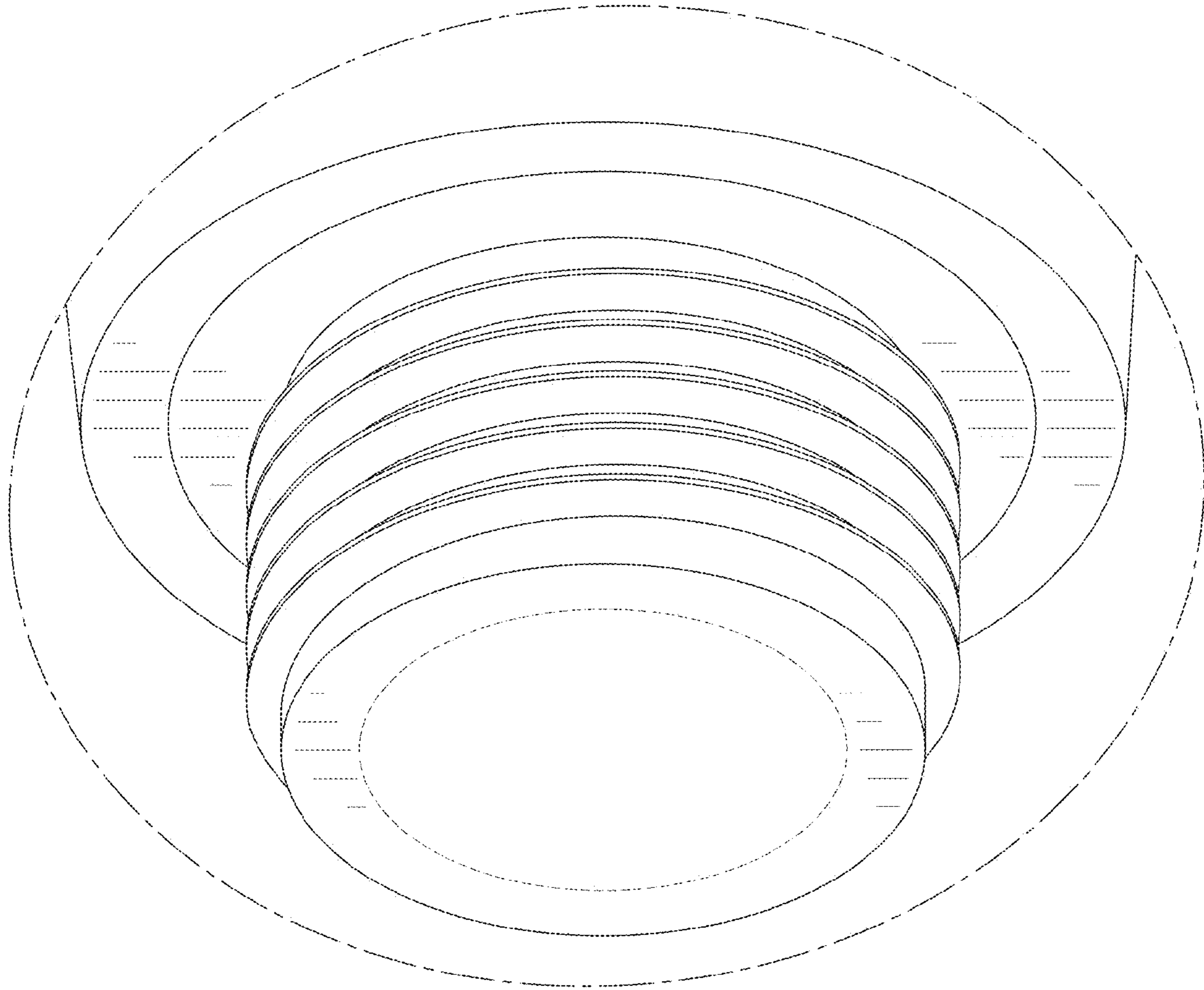


FIG. 10