



US00D935556S

(12) **United States Design Patent** (10) **Patent No.:** **US D935,556 S**
Yan (45) **Date of Patent:** **** Nov. 9, 2021**

(54) **SHOWER HEAD**
(71) Applicant: **Xiamen Galenpoo Kitchen & Bathroom Technology Co., Ltd.,**
Xiamen (CN)
(72) Inventor: **Xiaoling Yan,** Xiamen (CN)
(**) Term: **15 Years**
(21) Appl. No.: **29/780,558**
(22) Filed: **Apr. 26, 2021**
(51) **LOC (13) Cl.** **23-01**
(52) **U.S. Cl.**
USPC **D23/213**
(58) **Field of Classification Search**
USPC D23/213–215, 223–224, 226, 229, 222,
D23/232, 234
CPC A61H 9/0021; A61H 33/00; B05B 1/00;
B05B 1/14; B05B 1/185; B05B 1/08;
B05B 1/02; B05B 1/26; B05B 12/002;
B05B 1/18; B05B 9/01
See application file for complete search history.

(56) **References Cited**
U.S. PATENT DOCUMENTS
D332,994 S * 2/1993 Huen D23/223
D451,980 S * 12/2001 Lindholm D23/223
D526,384 S * 8/2006 Wu E03C 1/0409
D23/223
D619,214 S * 7/2010 Lee D23/223
D667,928 S * 9/2012 Cutler D23/223
D733,258 S * 6/2015 Sandee D23/223
D820,388 S * 6/2018 Seum
D842,967 S * 3/2019 Farley B05B 1/1663
D23/213
10,265,710 B2 * 4/2019 Cacka B05B 1/185
D886,946 S * 6/2020 Ladwig D23/223
D913,419 S * 3/2021 Ladwig E03C 1/0409
D23/223

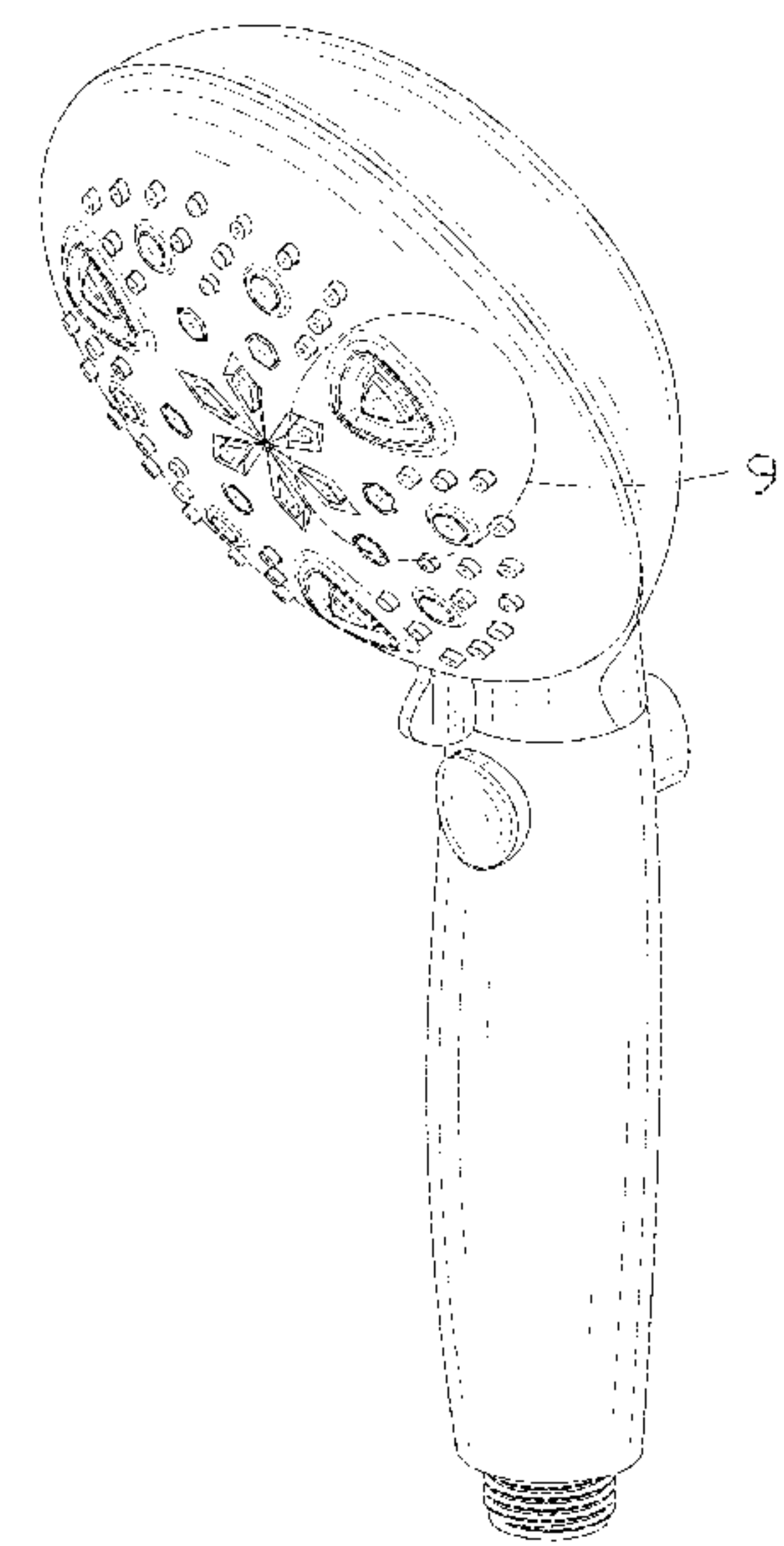
D919,746 S * 5/2021 Lin B05B 1/1609
D23/223
D919,747 S * 5/2021 Lin B05B 1/185
D23/223
2006/0261191 A1 * 11/2006 Chang B05B 1/1663
239/525
2014/0367482 A1 * 12/2014 Cacka E03C 1/0409
239/11
2016/0214122 A1 * 7/2016 Yu B05B 1/18
2018/0193850 A1 * 7/2018 Lin B05B 1/1609
2021/0040715 A1 * 2/2021 Lin E03C 1/0409
* cited by examiner

Primary Examiner — Karen S Acker
Assistant Examiner — Jonathan E Fiencke

(57) **CLAIM**
The ornamental design for a shower head, as shown and described.

DESCRIPTION
FIG. 1 is a front and top perspective view of a shower head, showing my new design;
FIG. 2 is a rear and bottom perspective view thereof;
FIG. 3 is a front elevation view thereof;
FIG. 4 is a rear elevation view thereof;
FIG. 5 is a left side elevation view thereof;
FIG. 6 is a right side elevation view thereof;
FIG. 7 is a top plan view thereof;
FIG. 8 is a bottom plan view thereof;
FIG. 9 is an enlarged detail view of area 9 circumscribed within FIG. 1; and,
FIG. 10 is an enlarged detail view of area 10 circumscribed within FIG. 2.
The evenly spaced broken lines and all areas within depict portions of the shower head that form no part of the claimed design. The dot dash dot broken lines in FIGS. 1, 2, 9 and 10 depict the boundaries of the enlarged detail views and form no part of the claimed design.

1 Claim, 10 Drawing Sheets



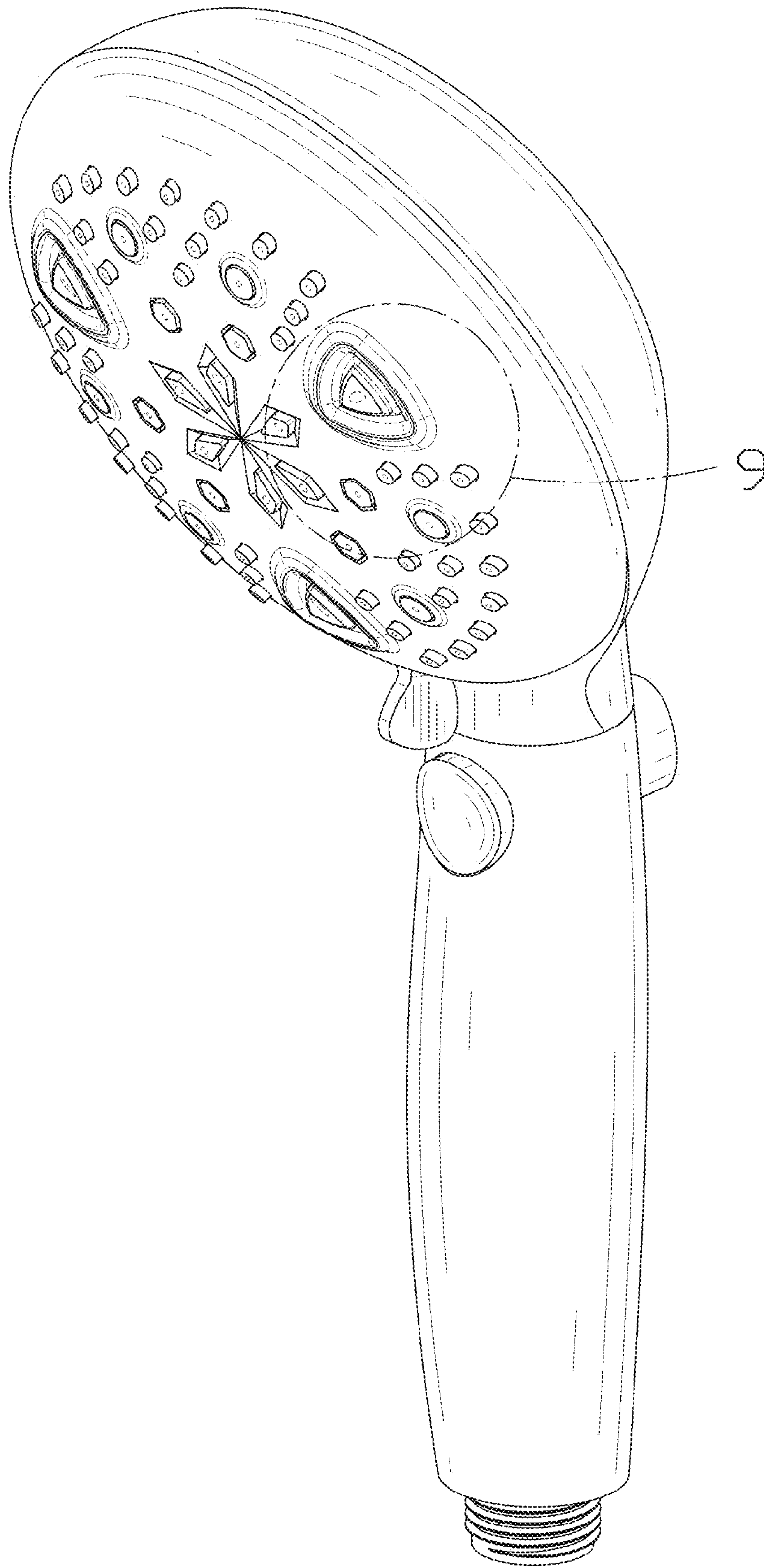


FIG. 1

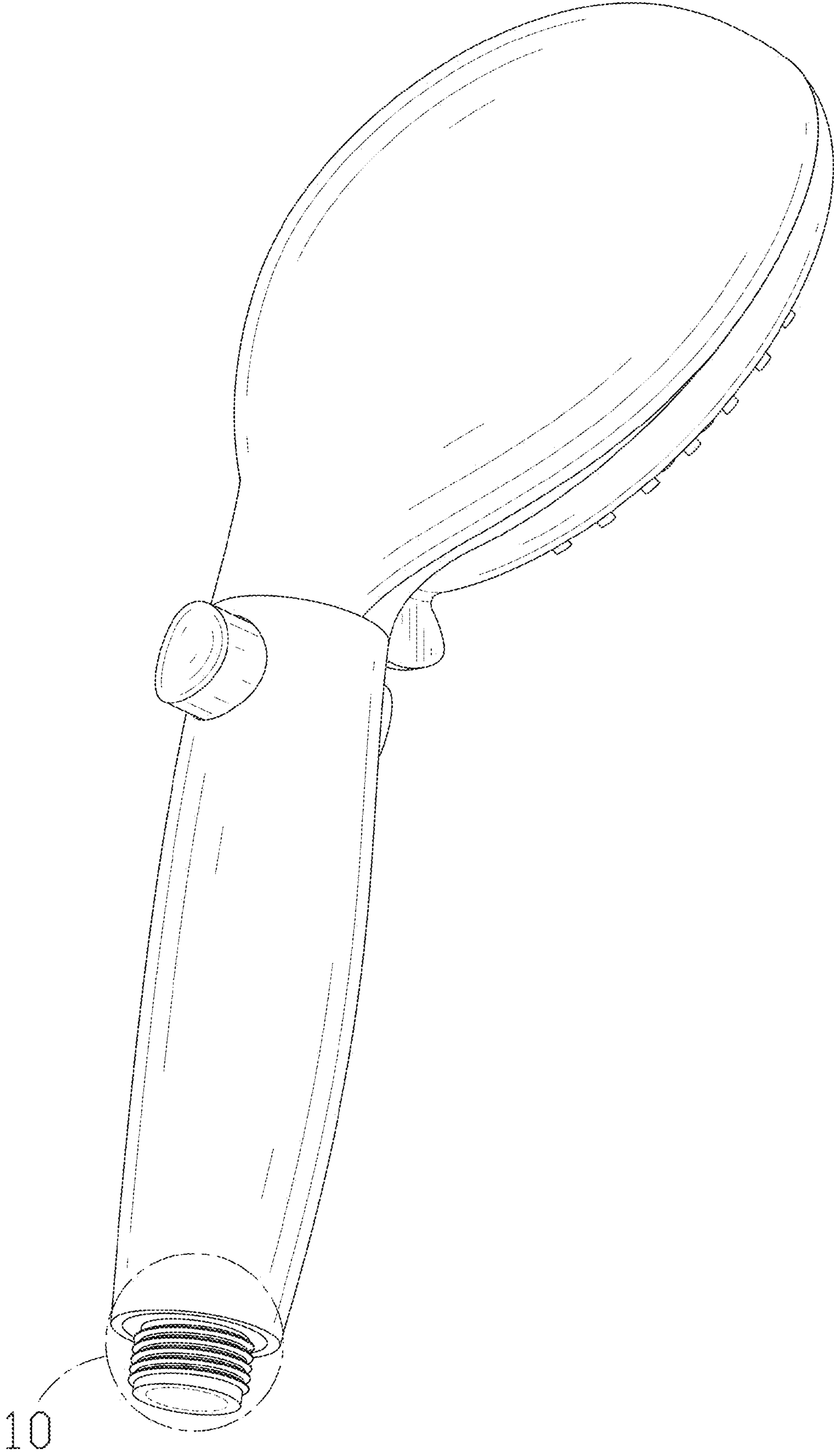


FIG. 2

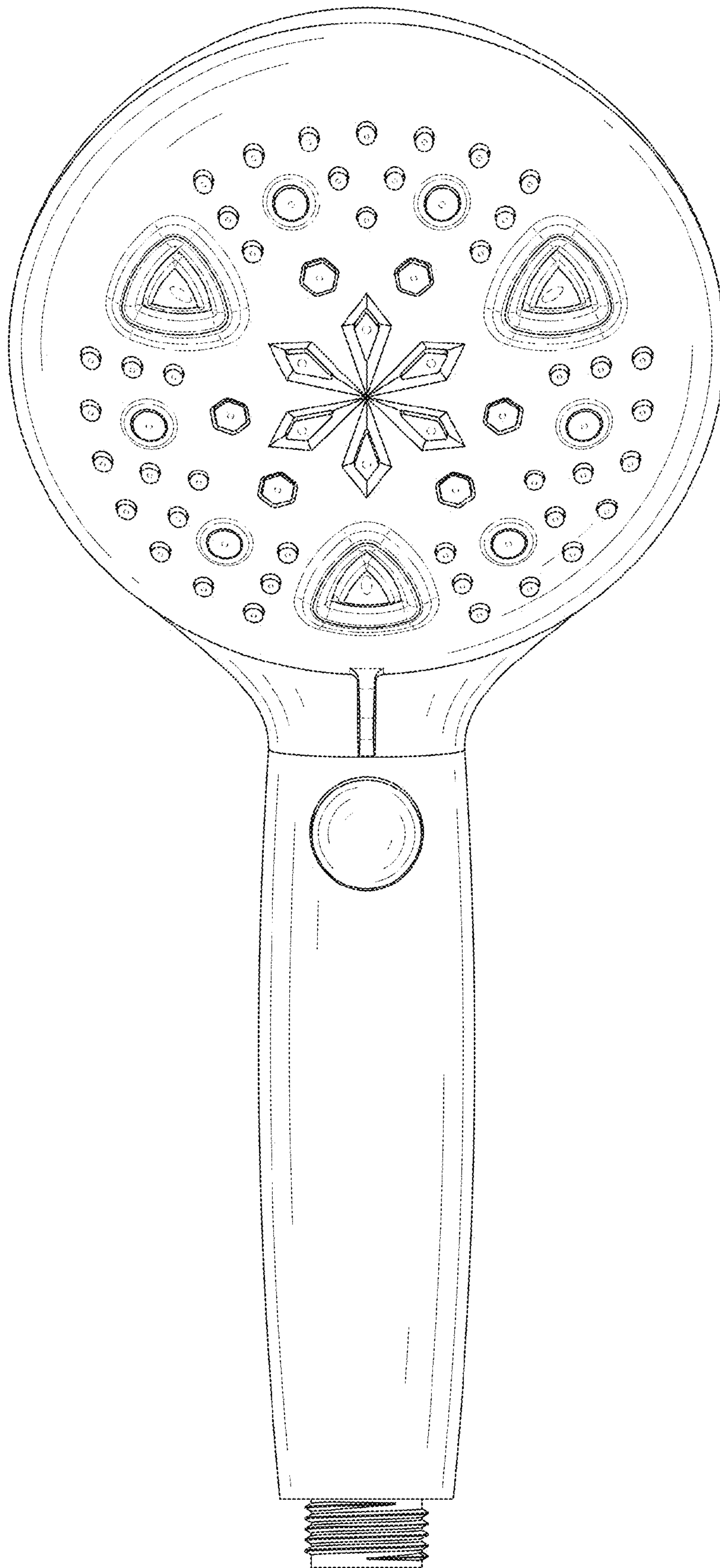


FIG. 3

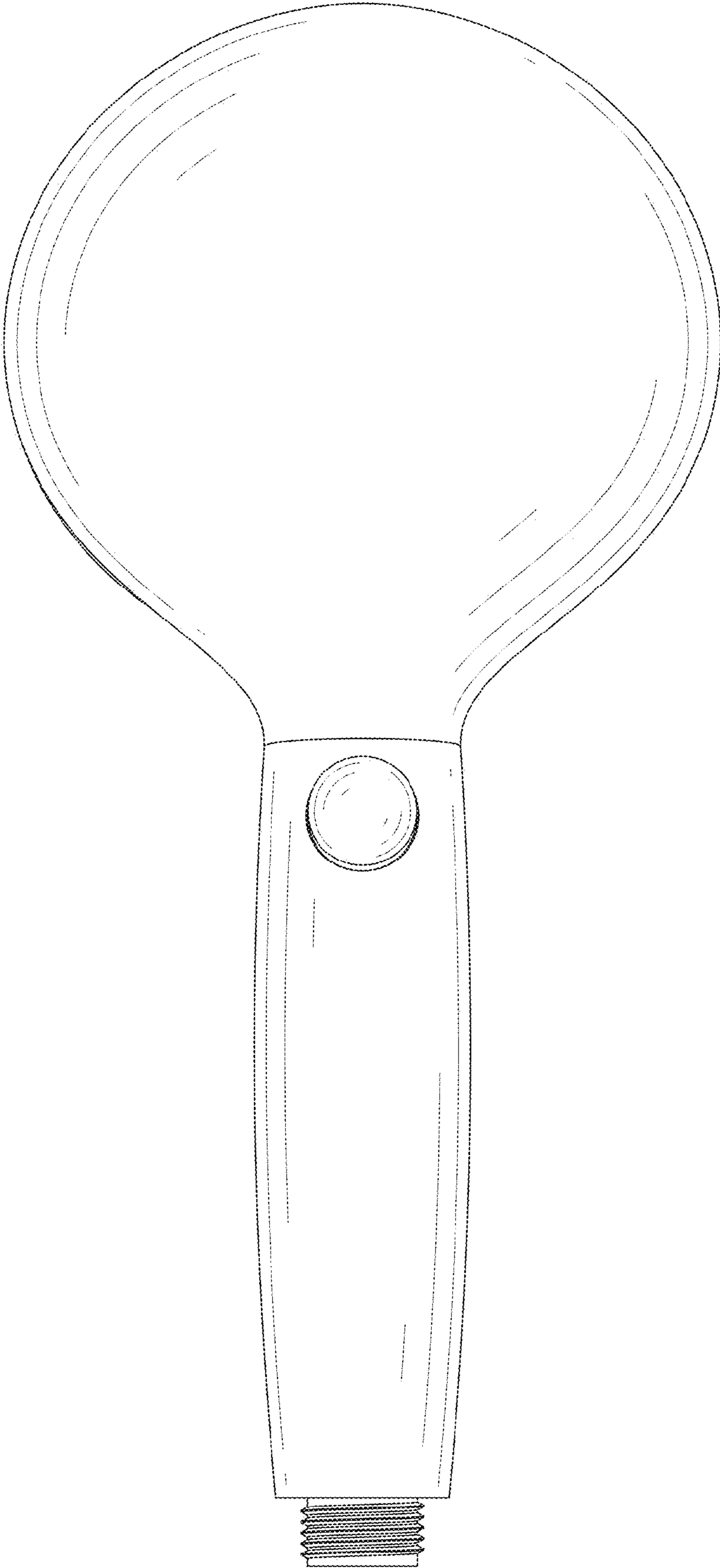


FIG. 4

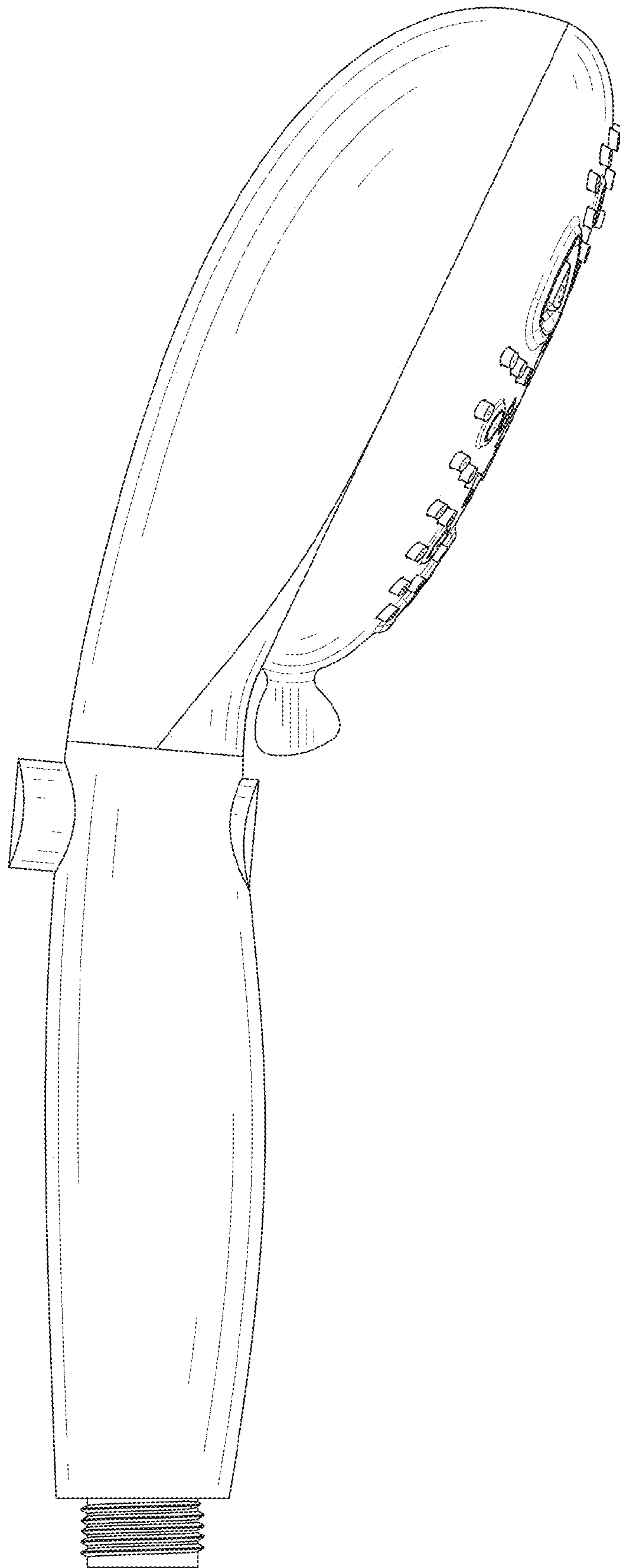


FIG. 5

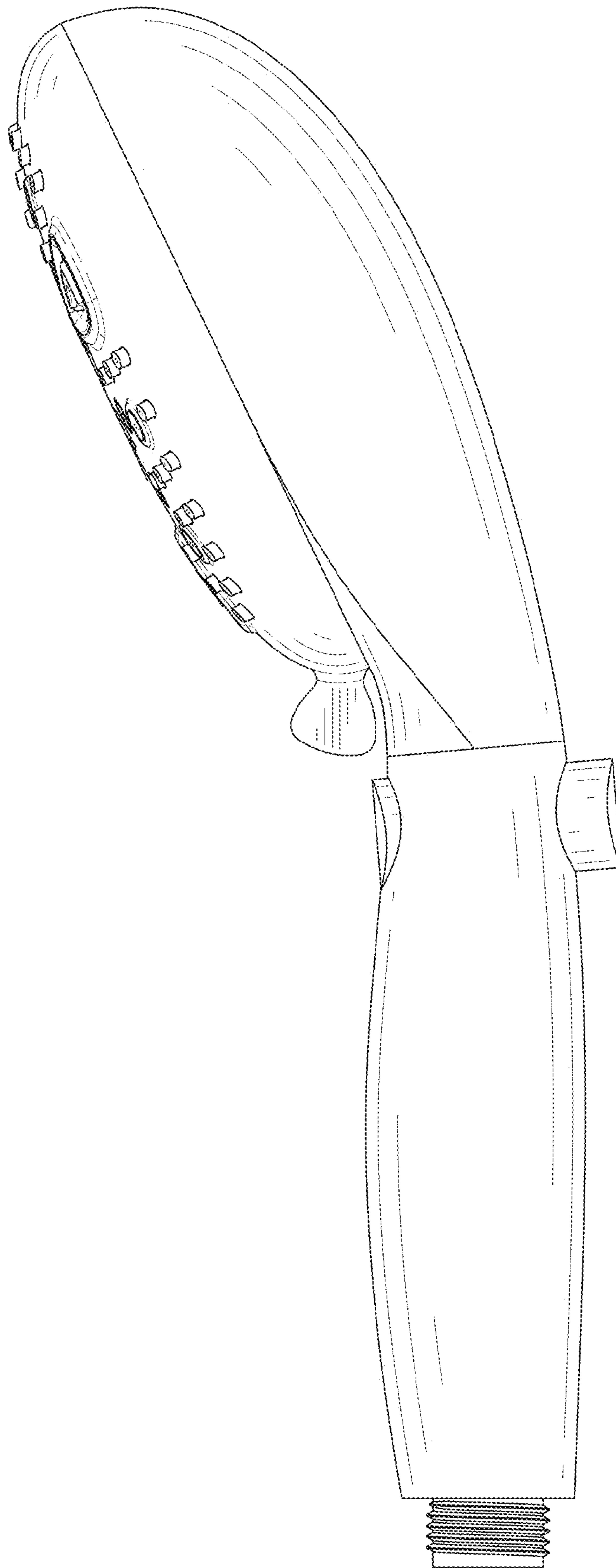


FIG. 6

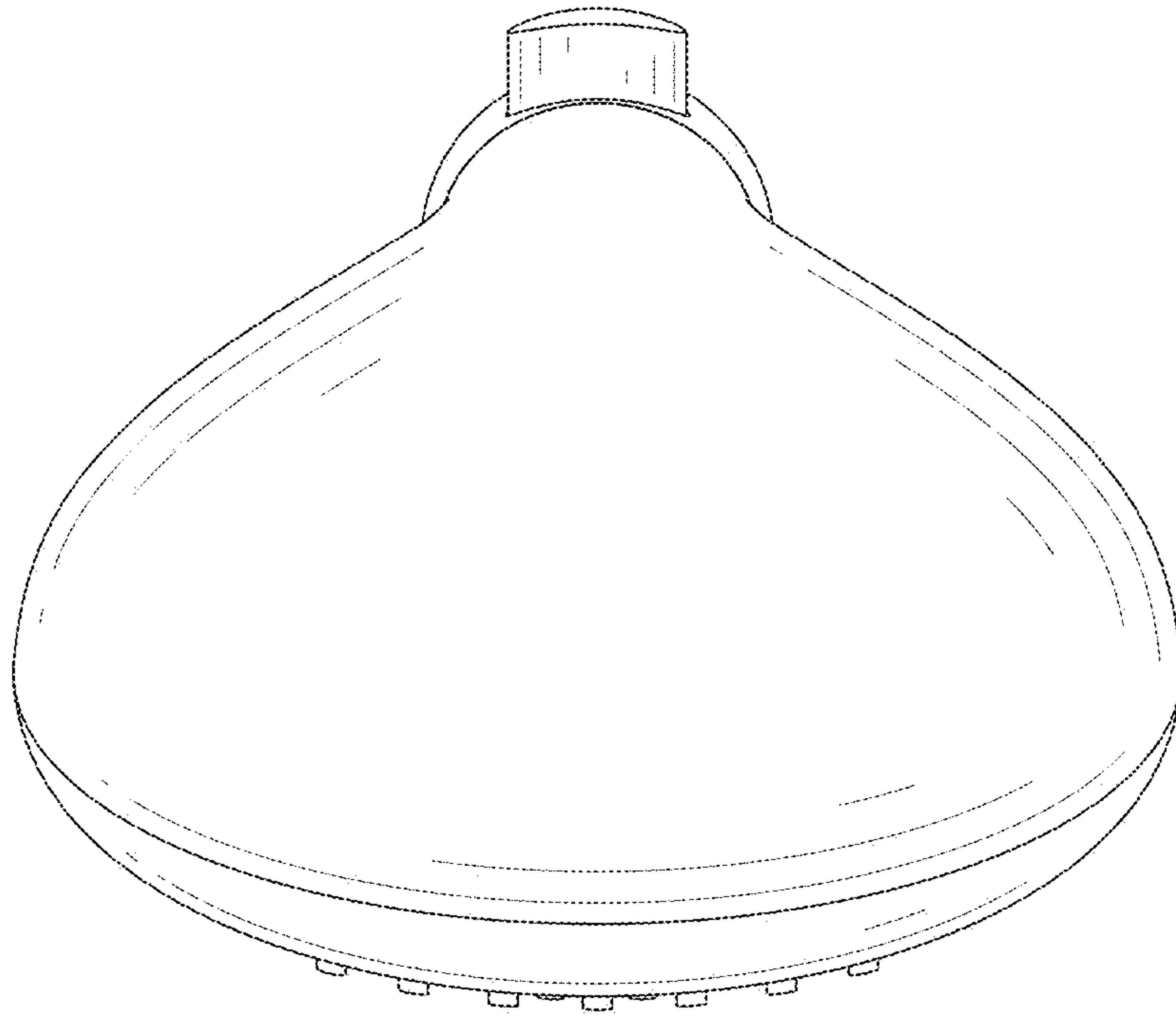


FIG. 7

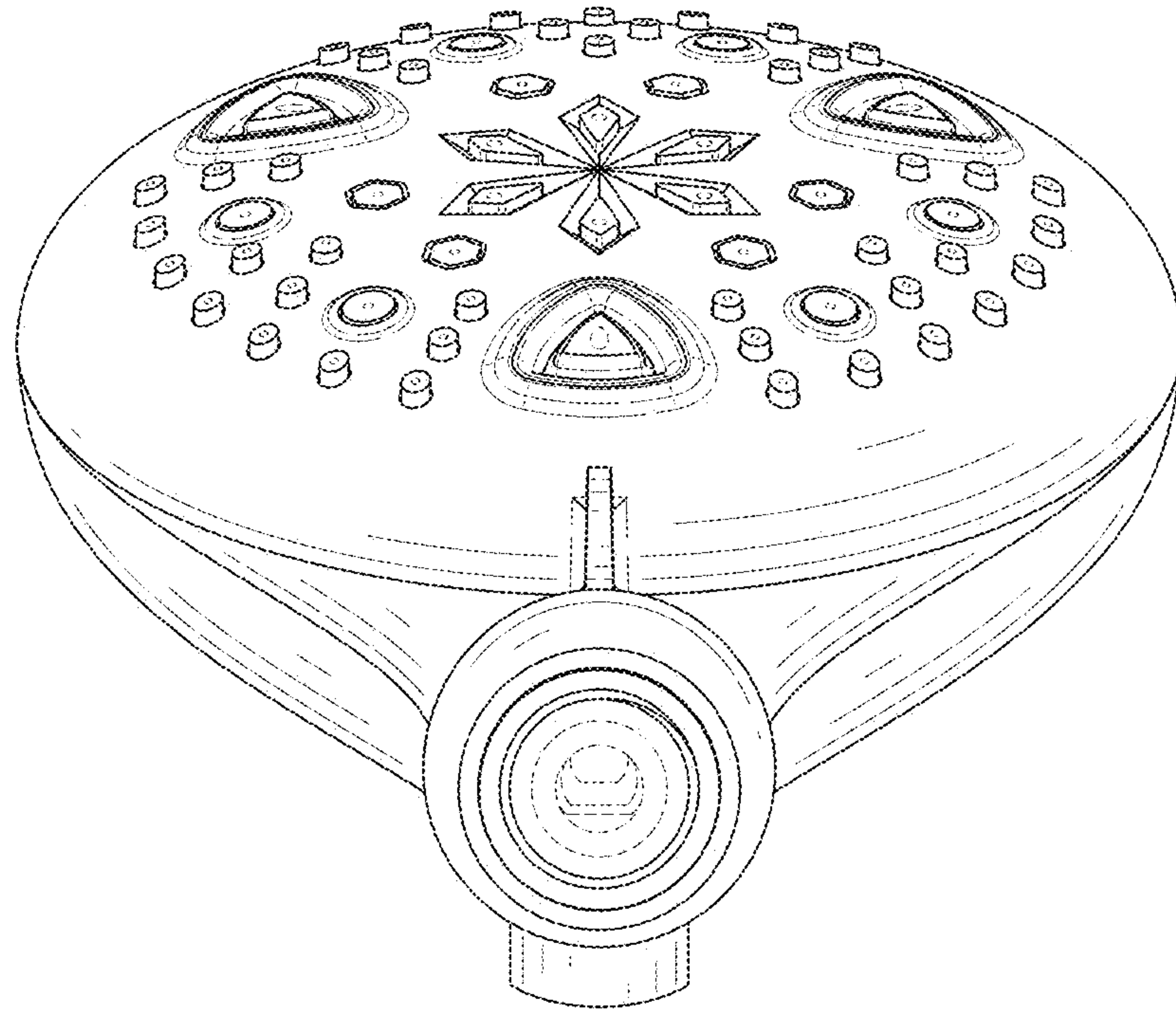


FIG. 8

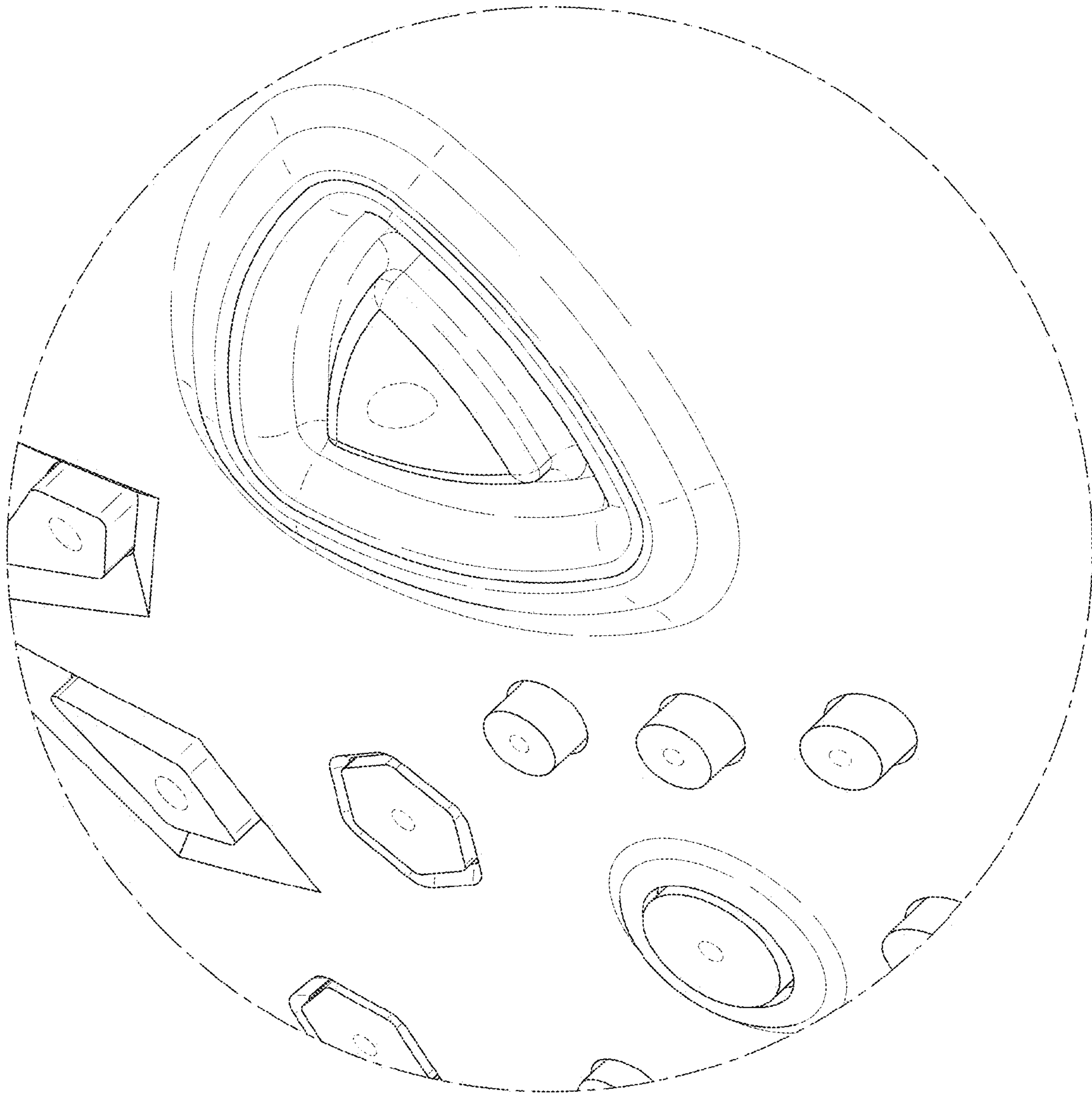


FIG. 9

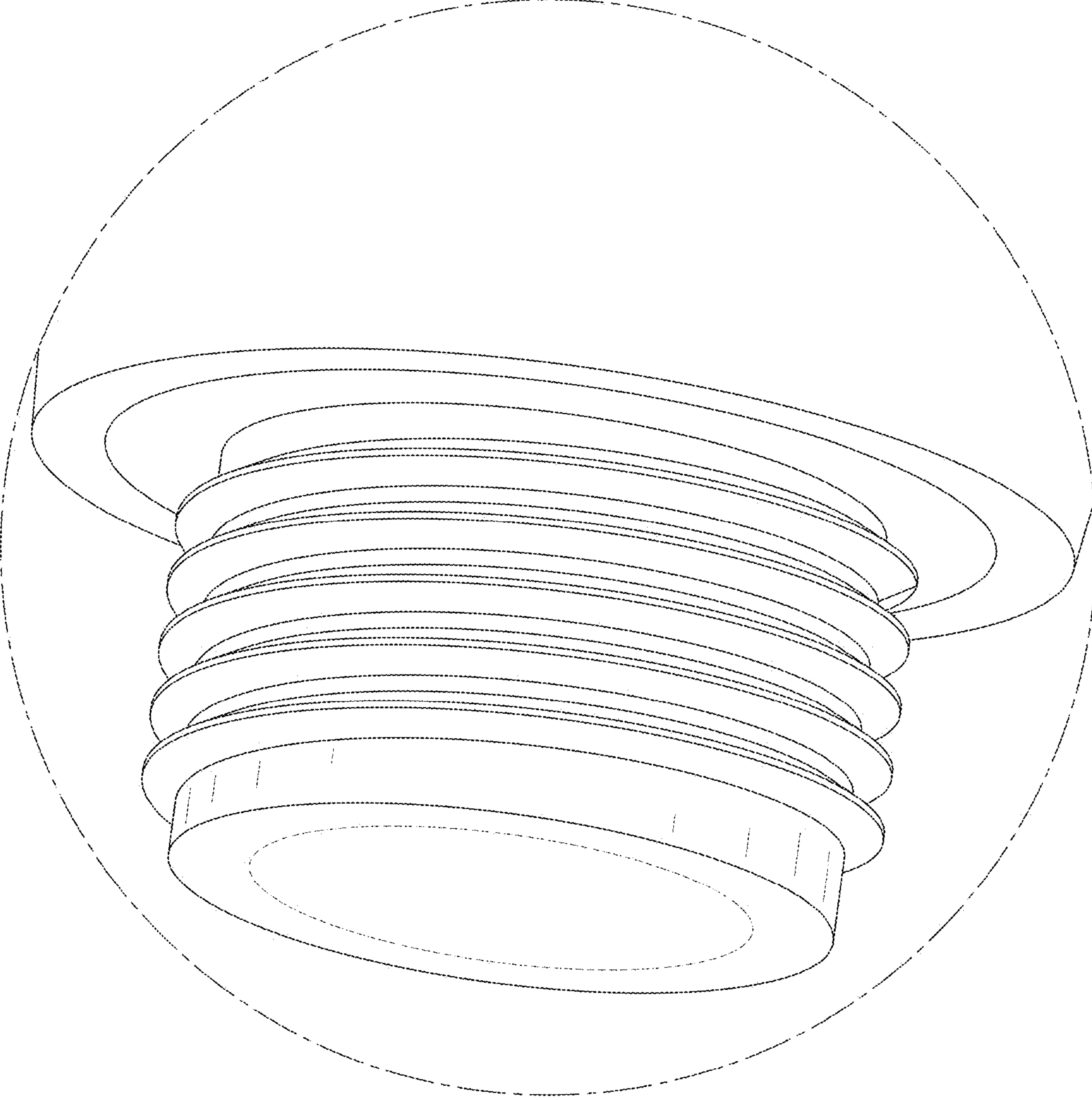


FIG. 10