



US00D935554S

(12) **United States Design Patent** (10) **Patent No.:** **US D935,554 S**
Lazarini (45) **Date of Patent:** **** Nov. 9, 2021**

(54) **SHOWERHEAD**

(71) Applicant: **DELTA FAUCET COMPANY,**
Indianapolis, IN (US)

(72) Inventor: **Alejandra Lazarini,** Carmel, IN (US)

(73) Assignee: **DELTA FAUCET COMPANY,**
Indianapolis, IN (US)

(**) Term: **15 Years**

(21) Appl. No.: **29/723,041**

(22) Filed: **Feb. 4, 2020**

(51) **LOC (13) Cl.** **23-01**

(52) **U.S. Cl.**
USPC **D23/213**

(58) **Field of Classification Search**
USPC D23/213, 214, 215, 223, 224, 226, 229
CPC A61H 9/0021; A61H 33/00; B05B 1/00;
B05B 1/14; B05B 1/185; B05B 1/08;
B05B 1/02; B05B 1/26; B05B 12/002;
B05B 1/18; B05B 9/01
See application file for complete search history.

(56) **References Cited**

U.S. PATENT DOCUMENTS

D418,901 S *	1/2000	Gorney	D23/214
D503,461 S *	3/2005	Ouyoung	D23/229
D580,022 S *	11/2008	Gilbert	D23/255
D580,023 S *	11/2008	Gilbert	D23/255
D620,079 S *	7/2010	Jian	D23/229
D714,424 S *	9/2014	Schoenherr	D23/229
D894,338 S *	8/2020	Lai	D23/213
D895,065 S *	9/2020	Lai	D23/213
D908,842 S *	1/2021	Johnson	D23/226
11,007,543 B2 *	5/2021	Wang	B05B 1/18
D922,522 S *	6/2021	Lin	D23/213

D922,526 S *	6/2021	Johnson	D23/226
2020/0269271 A1 *	8/2020	Cox	E04H 4/12
2021/0146068 A1 *	5/2021	Bartels	A61M 15/0003

OTHER PUBLICATIONS

https://www.amazon.com/dp/B07JFHZH7Y/ref=sbl_dp_x_B004UA5EHK_0 (Year: 2018).*
Moen 6300 One-Function 2½-Inch Diameter Spray Head, Sep. 14, 2004, Amazon.com, URL: <https://www.amazon.com/Moen-6300-One-Function-Diameter-Showerhead/dp/B00164SV7S> (Year: 2004).*
American Standard M953540-0020A Shower Head, Jun. 3, 2013, Amazon.com, Jul. 14, 2021, URL: <https://www.amazon.com/American-Standard-M953540-0020A-Shower-Head/dp/B009NMDX14> (Year: 2013).*
LASCO 1166434 Modern Shower Head, Apr. 14, 2018, Amazon.com, Jul. 14, 2021, URL: https://www.amazon.com/dp/B00ITPKDRS/ref=sbl_dp_x_B08S6SDNZQ_0 (Year: 2018).*

* cited by examiner

Primary Examiner — Jack Reickel
Assistant Examiner — Keith J Wilson
(74) *Attorney, Agent, or Firm* — Nirav D. Parikh; Edgar A. Zarins

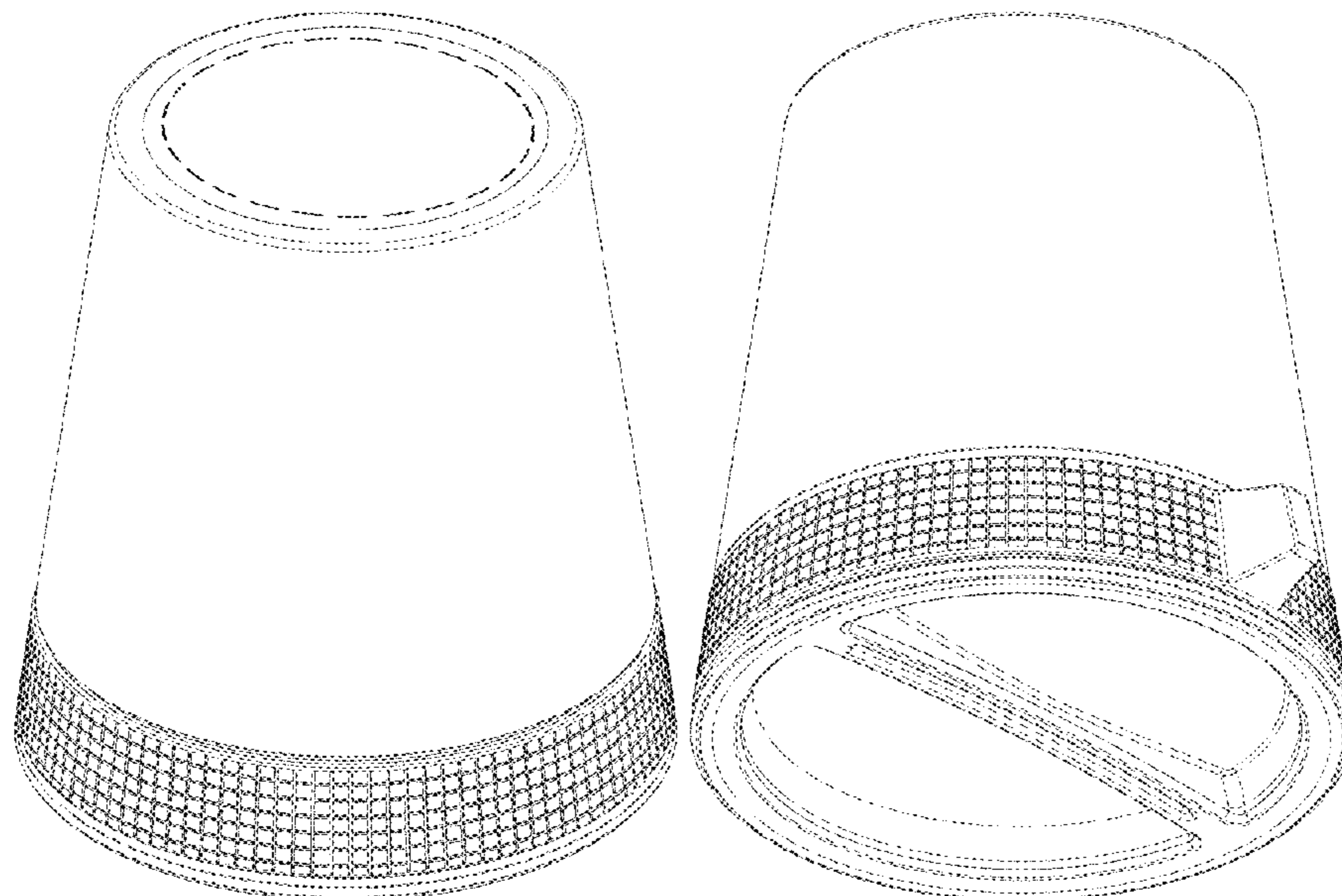
(57) **CLAIM**

The ornamental design for a showerhead, as shown and described.

DESCRIPTION

FIG. 1 is a front perspective view of a showerhead showing my new design;
FIG. 2 is a rear perspective view thereof;
FIG. 3 is a front elevational view thereof;
FIG. 4 is a left side view thereof;
FIG. 5 is a rear view thereof;
FIG. 6 is a right side view thereof;
FIG. 7 is a top plan view thereof; and,
FIG. 8 is a bottom view thereof.
The broken lines represent portions of a showerhead and form no part of the claimed design.

1 Claim, 4 Drawing Sheets



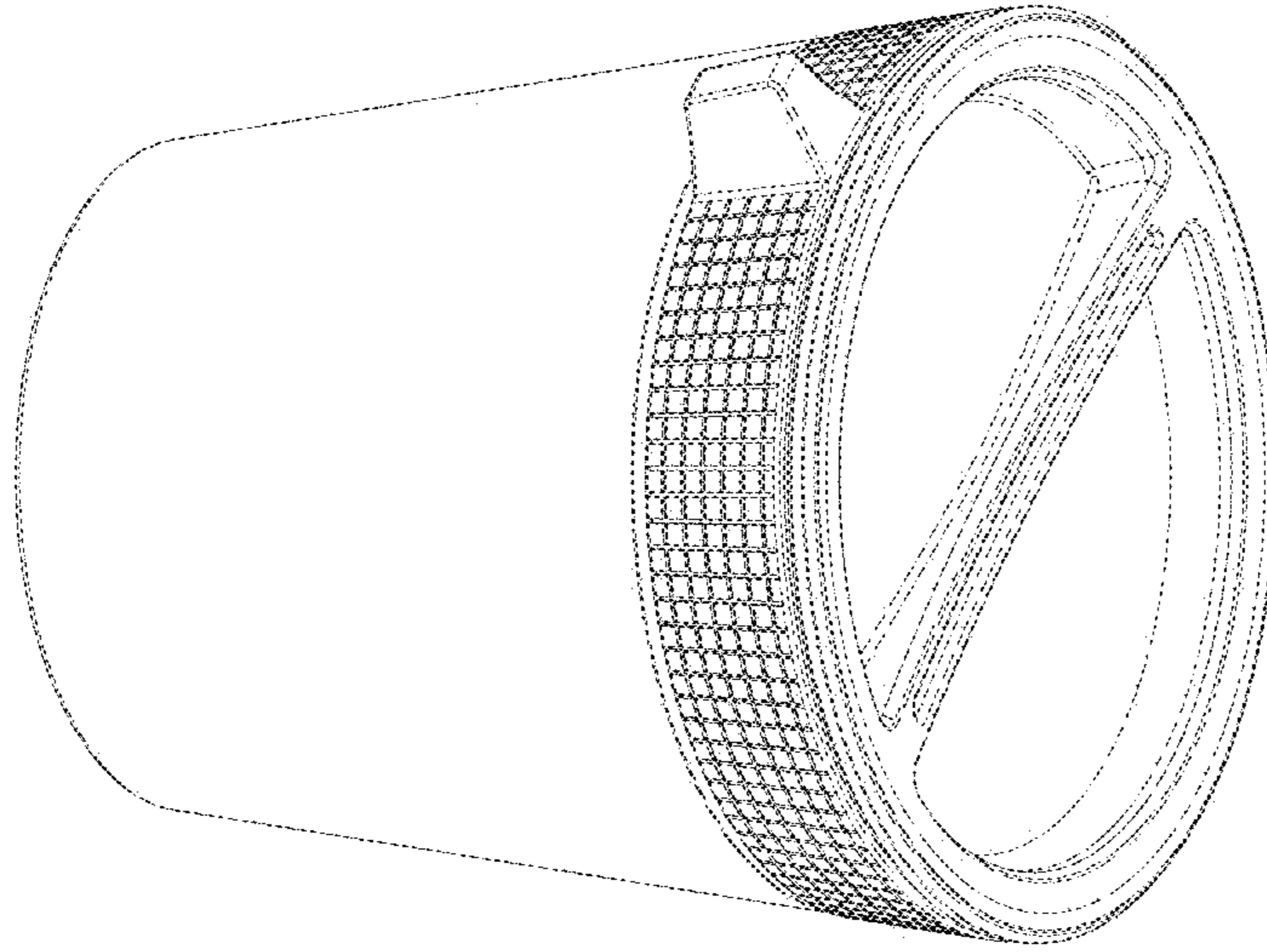


FIG - 2

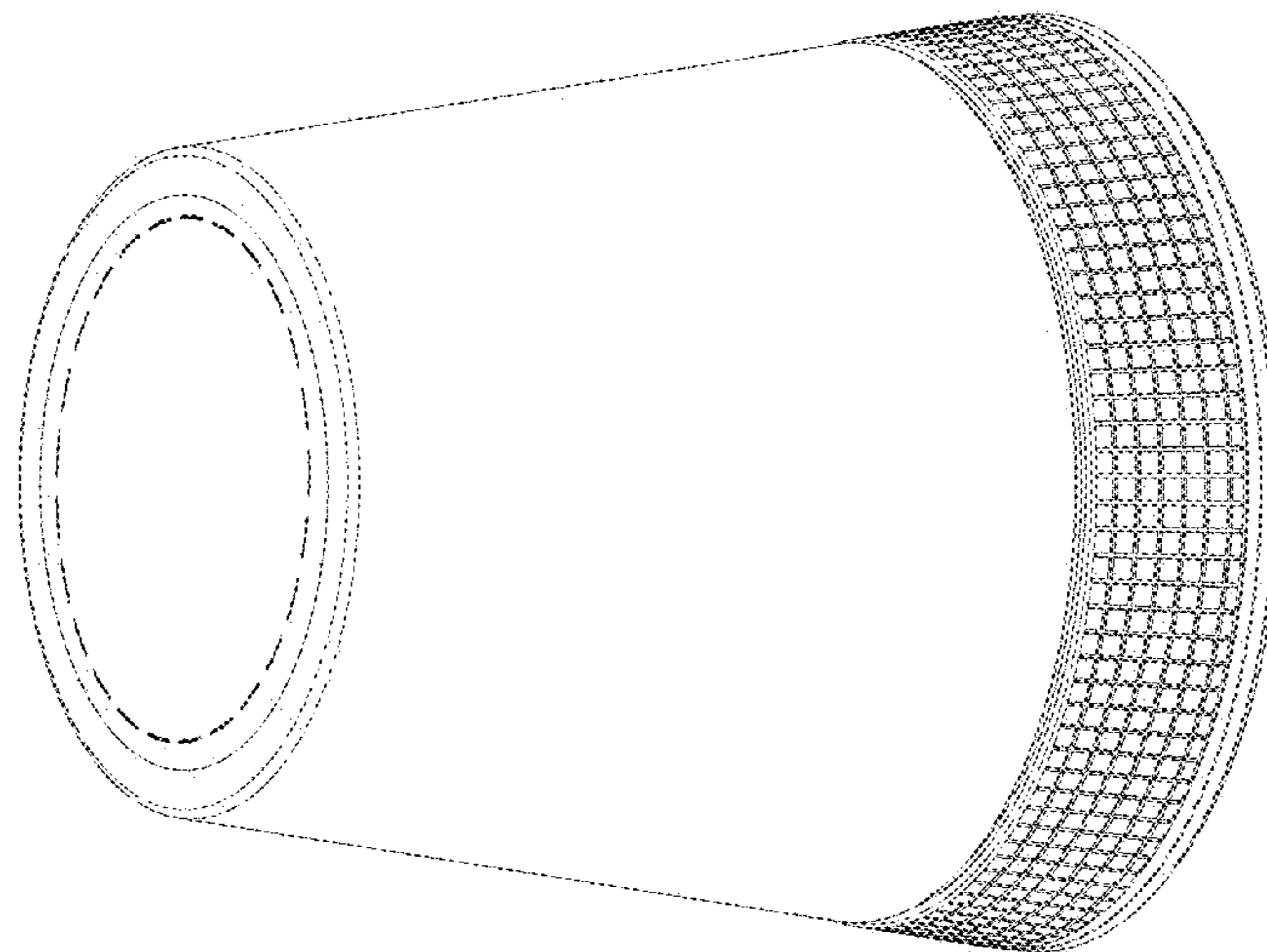


FIG - 1

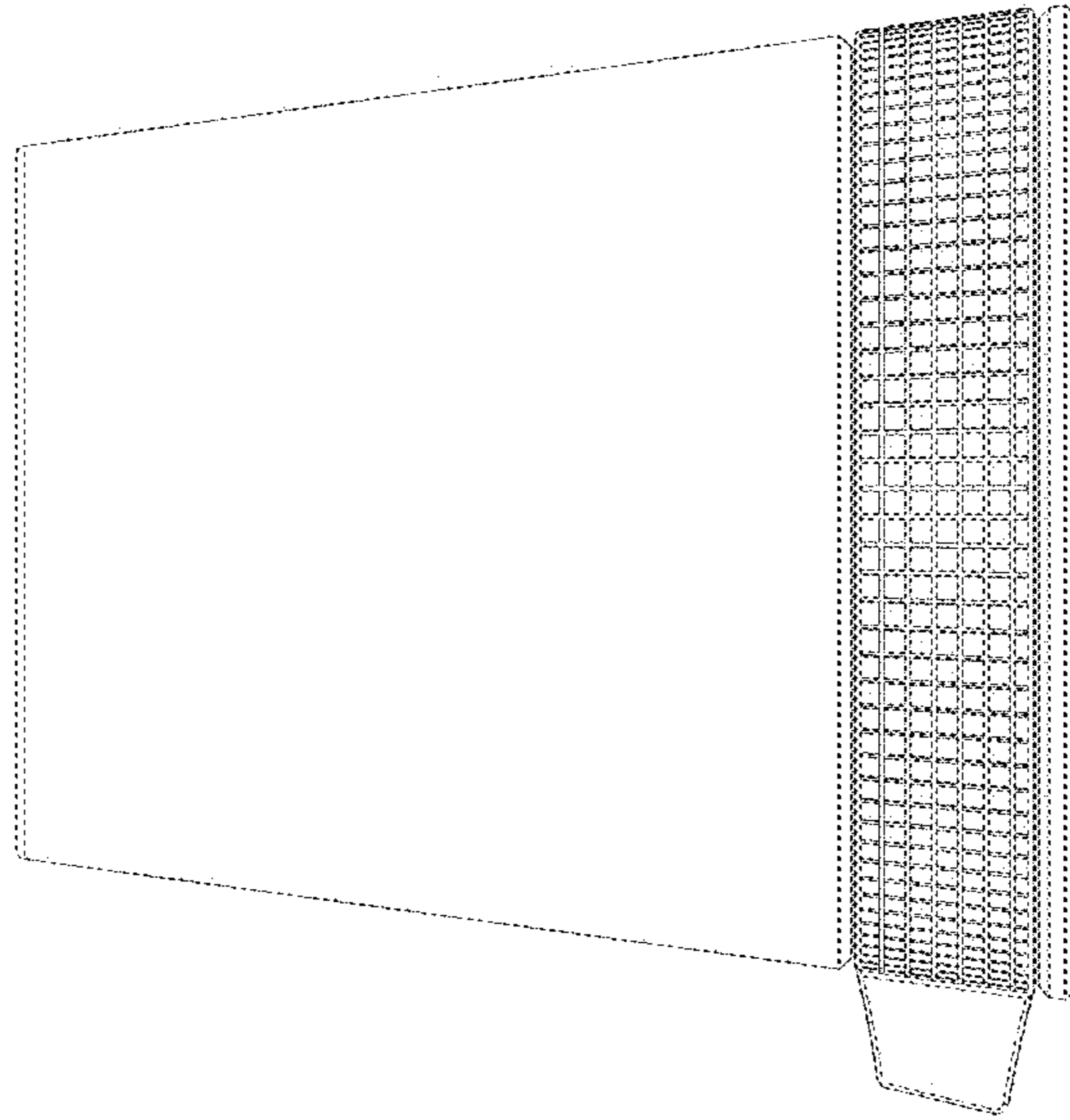


FIG - 4

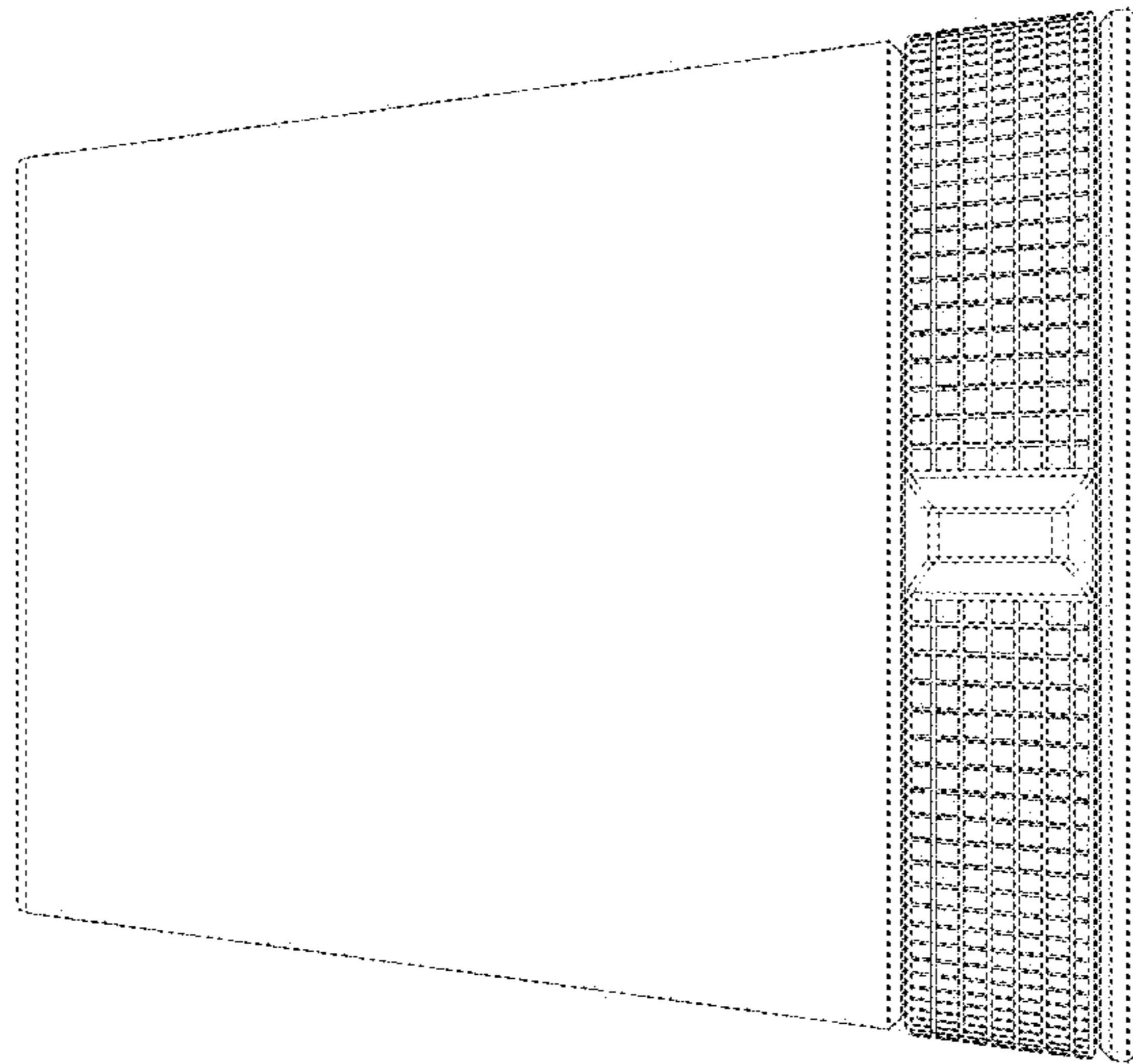


FIG - 3

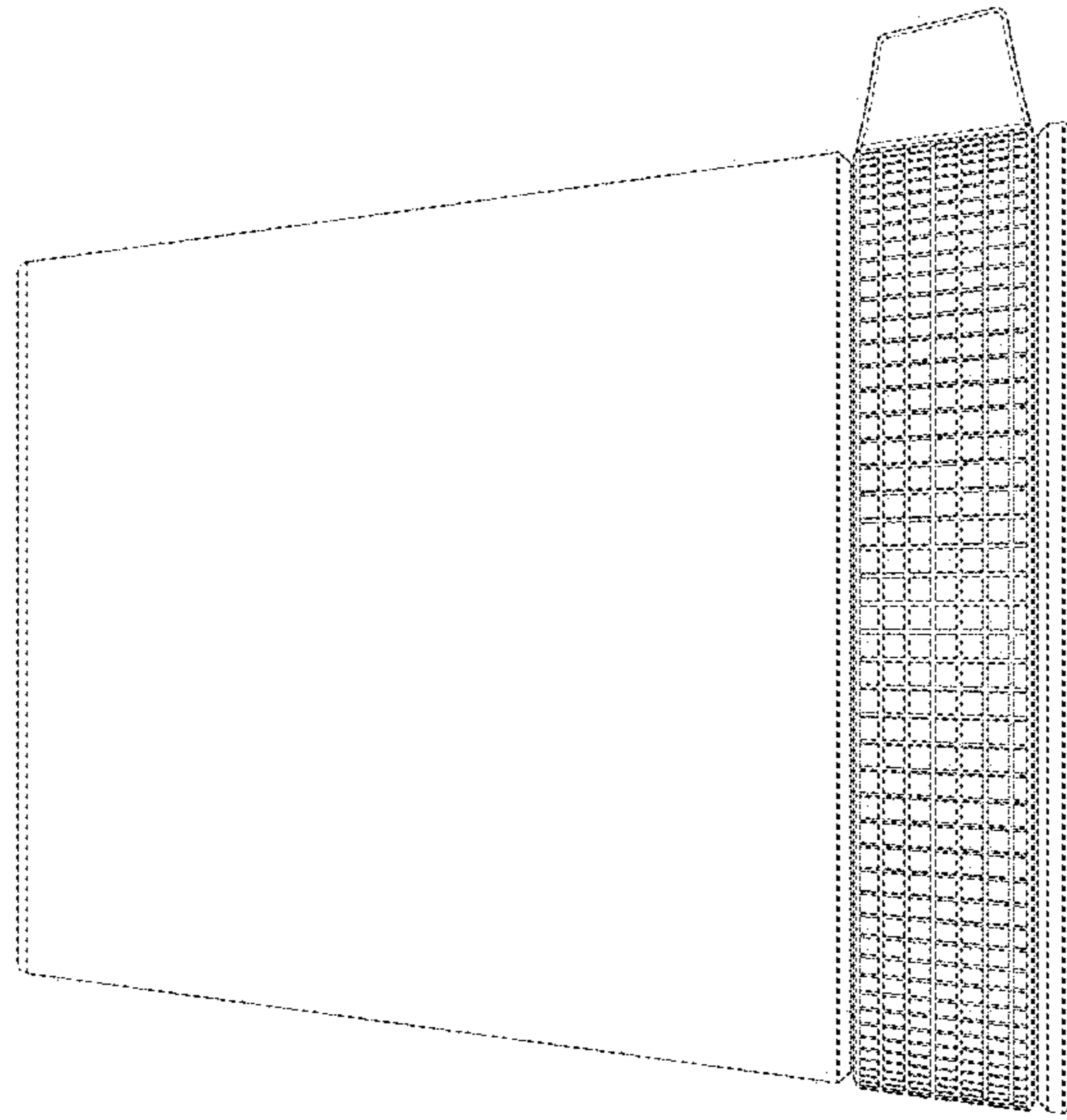


FIG. 6

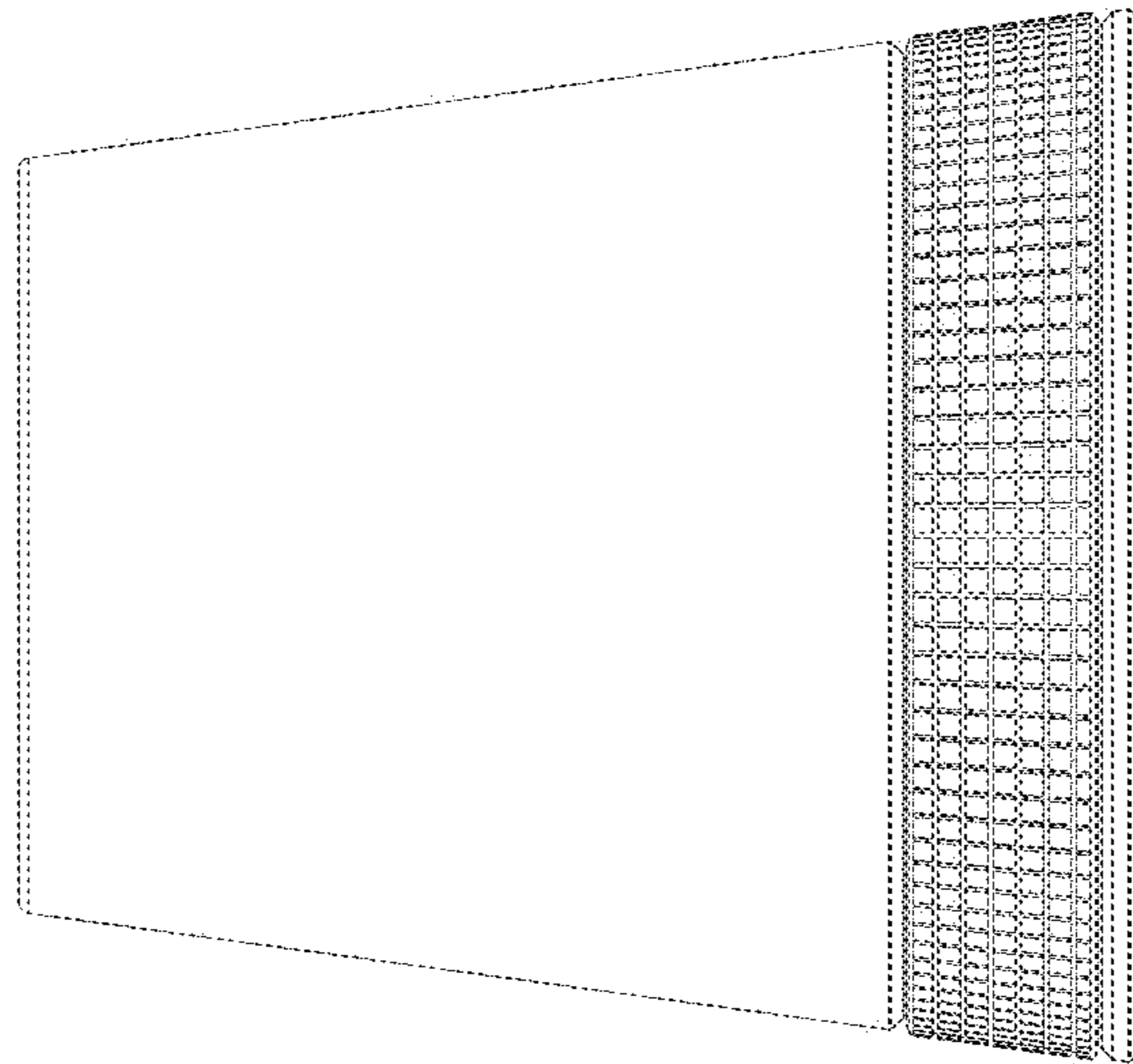


FIG. 5

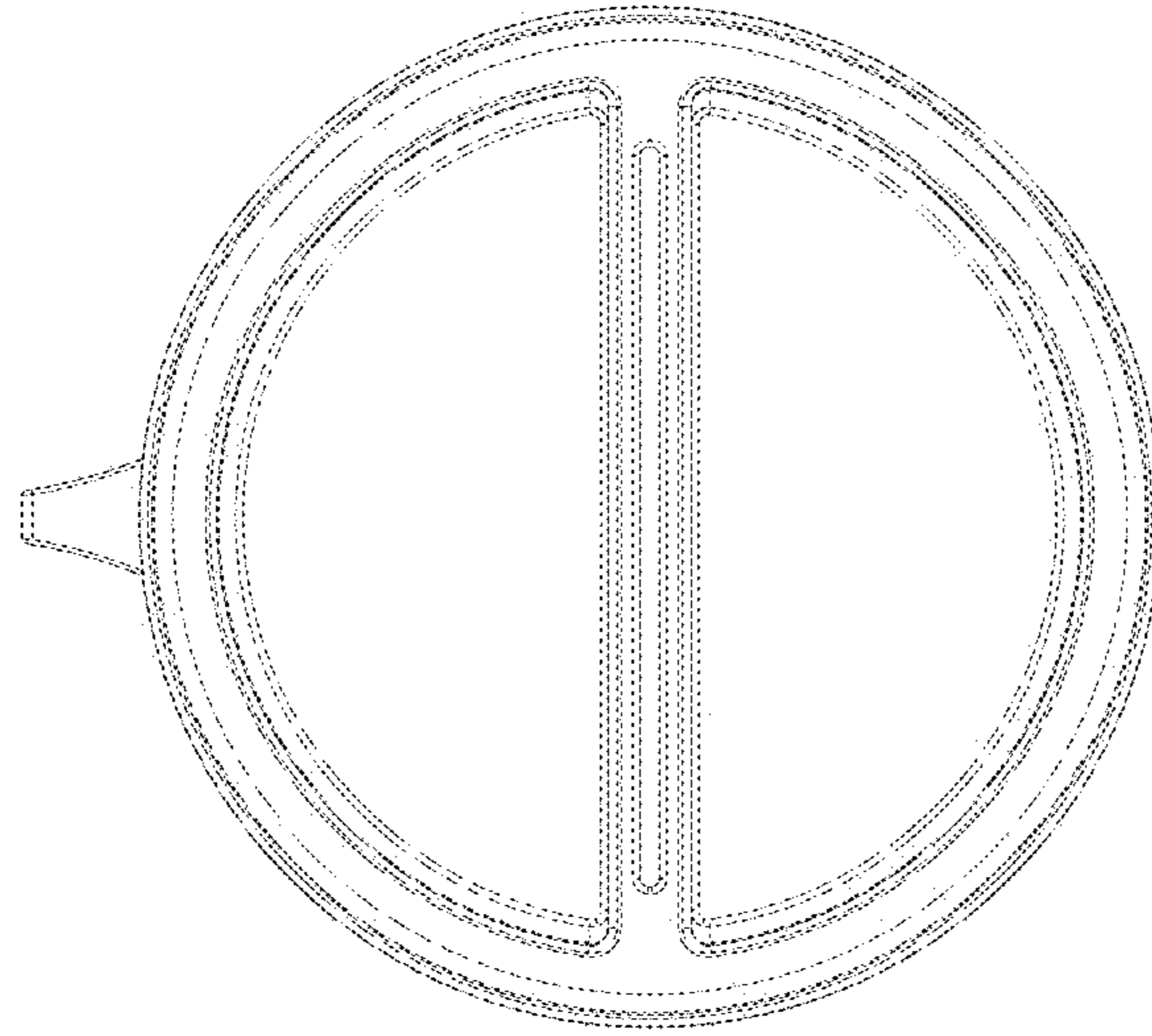


FIG. 8

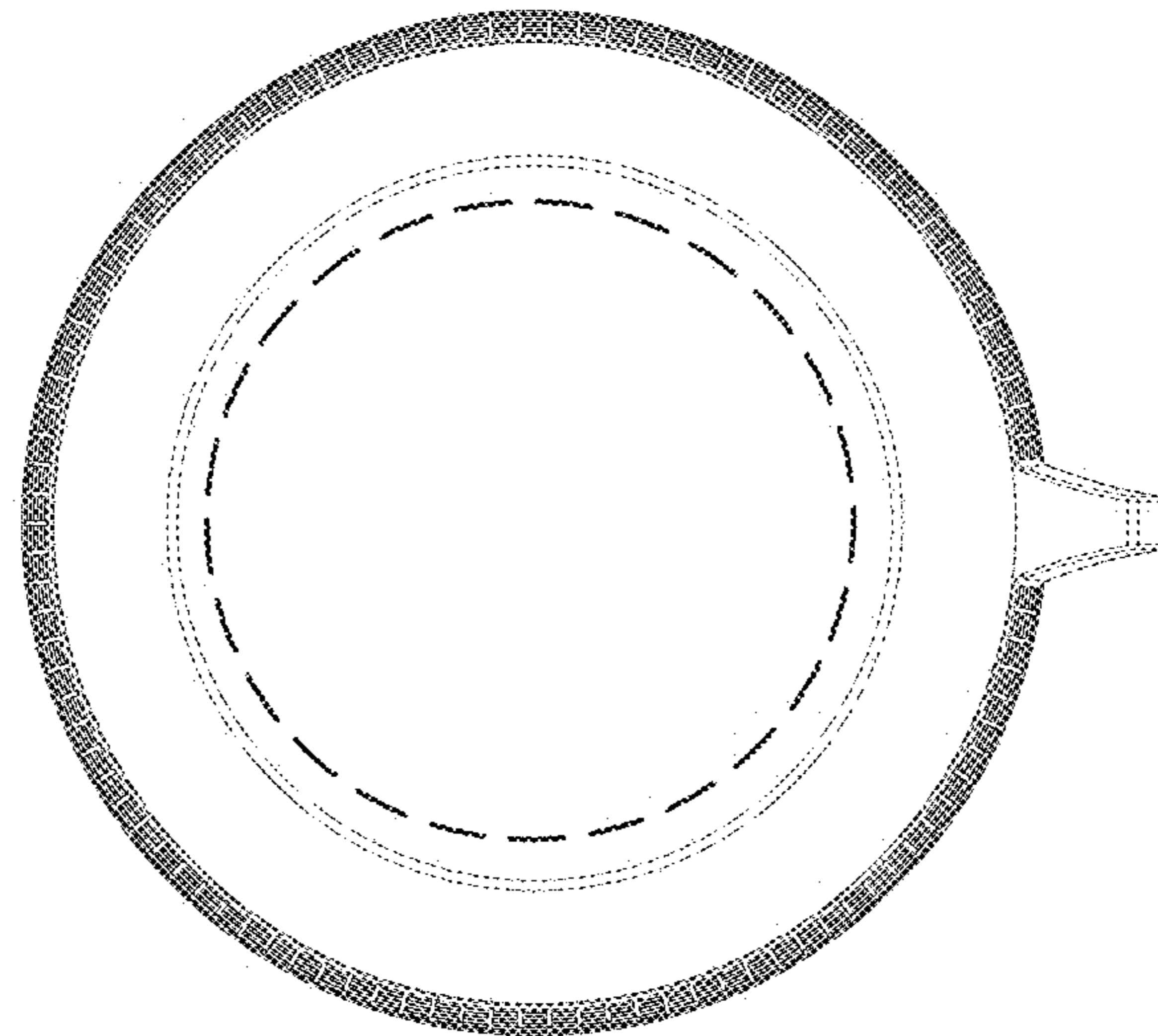


FIG. 7